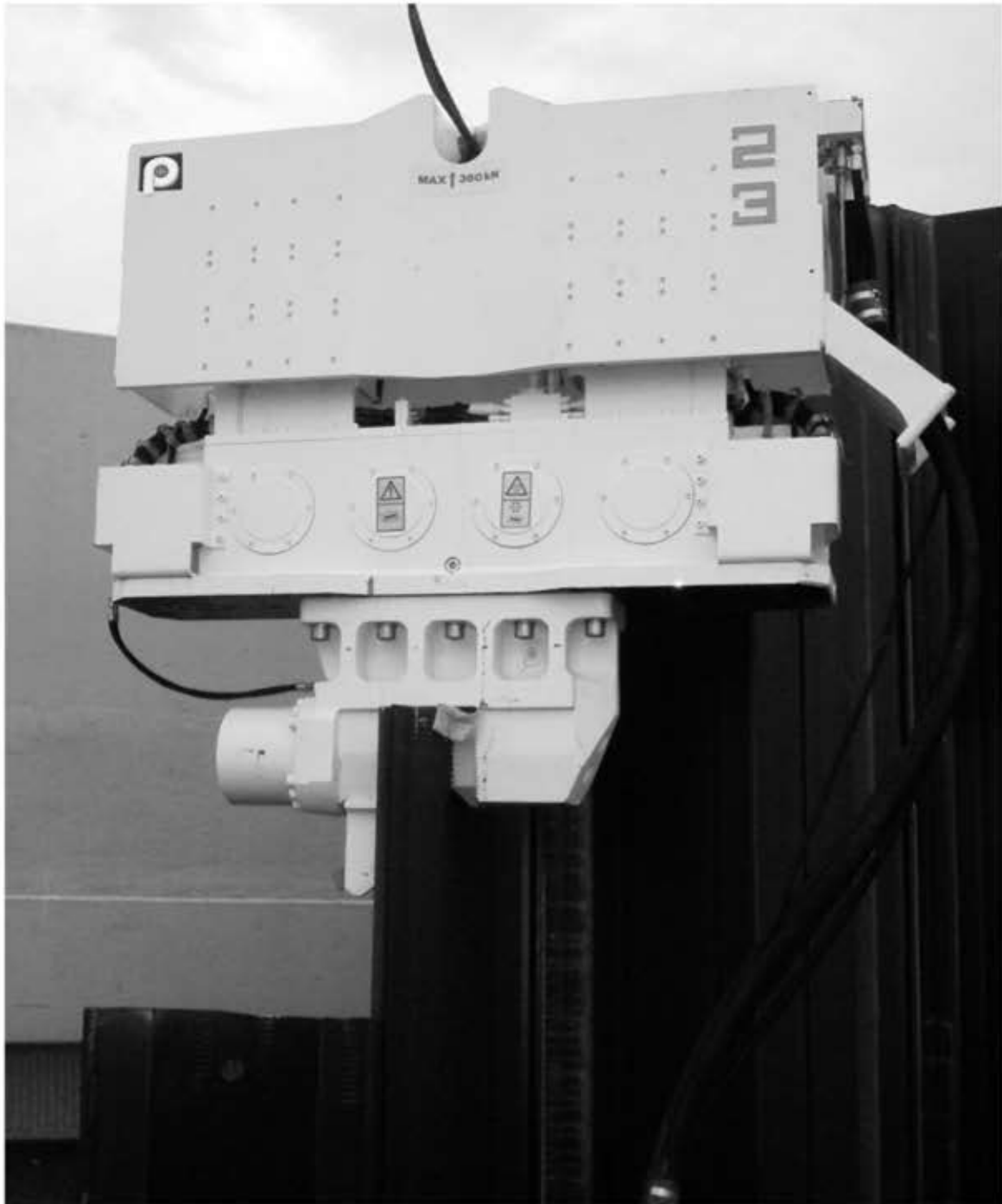


Parts Manual Vibratory Hammer P-23



Parts Manual

Vibratory Hammer P-23

TABLE OF CONTENT

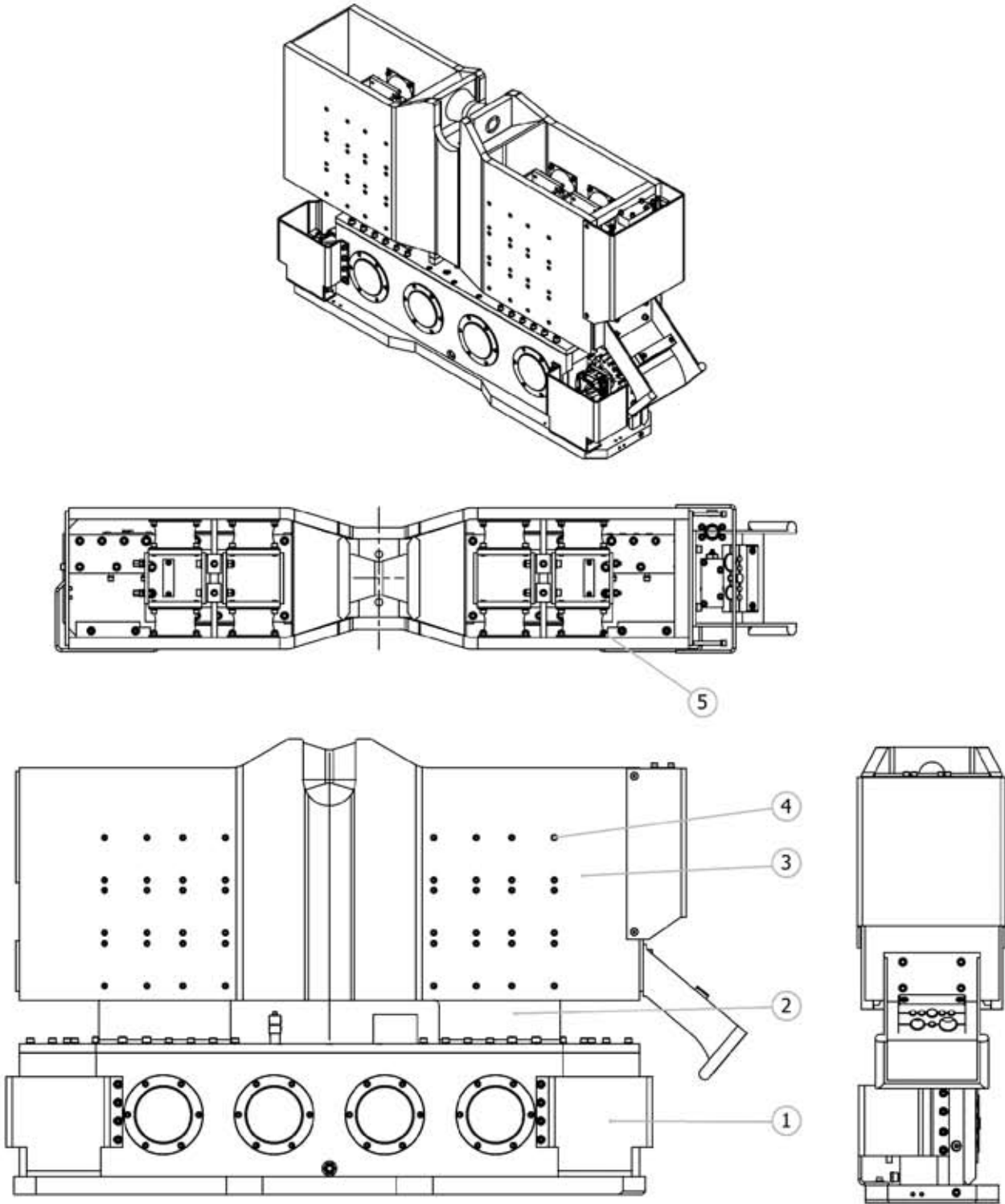
1	VIBRATORY HAMMER ASSEMBLY - DRAWING	3
2	VIBRATORY HAMMER ASSEMBLY - PARTS	4
3	SUPPRESSOR HOUSING ASSEMBLY – DRAWING	5
4	SUPPRESSOR HOUSING ASSEMBLY - PARTS.....	6
5	WELDING ASSEMBLY SUPPRESSOR HOUSING - DRAWING.....	7
6	WELDING ASSEMBLY SUPPRESSOR HOUSING - PARTS	8
7	VIBRATION CASE ASSEMBLY - DRAWING	9
8	VIBRATION CASE ASSEMBLY - PARTS	10
9	HYDRAULIC ASSEMBLY - DRAWING	11
10	HYDRAULIC ASSEMBLY - PARTS.....	12
11	BOTTOM VIEW OF VIBRATION CASE	13
12	HOSE ASSEMBLY (HOSES BETWEEN HAMMER AND EXCAVATOR).....	14
13	HOSE ASSEMBLY - PARTS	15
14	HOSE ASSEMBLIES - QUICK DISCONNECT 1½" - DRAWING	16
15	HOSE ASSEMBLIES - QUICK DISCONNECT 1½" - PARTS	17



Parts Manual

Vibratory Hammer P-23

1 VIBRATORY HAMMER ASSEMBLY - DRAWING





Parts Manual

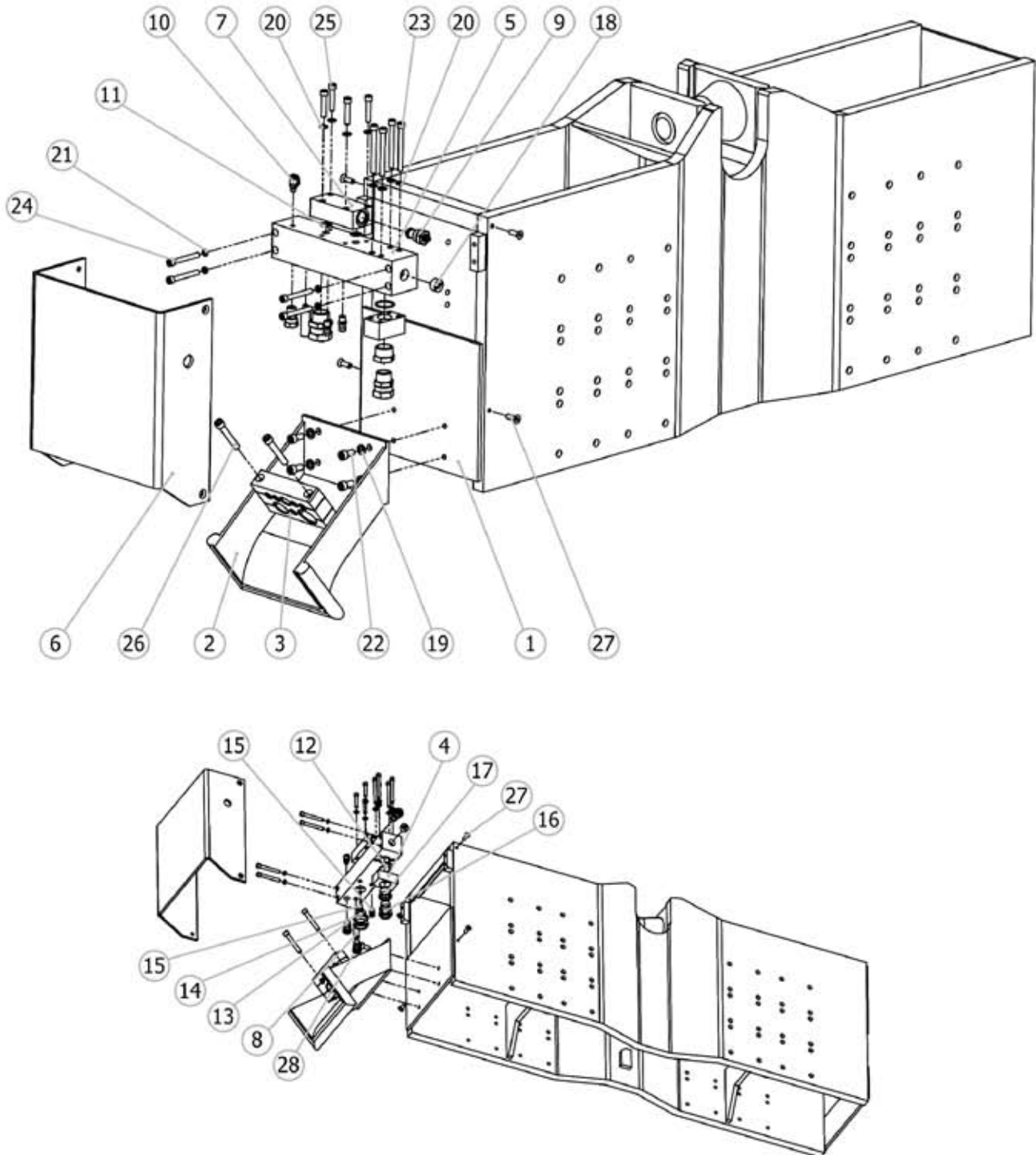
Vibratory Hammer P-23

2 VIBRATORY HAMMER ASSEMBLY - PARTS

Item No.	Part Number	Description	Qty.
1	416L3001	Vibration Case Assy	1
2	416L2001	Vibration Case Adapter Assy	1
3	416L1000	Suppressor Housing 416L	1
4	100.011	SHCS 1/2"-13 x 2"	96
5	130.049	Lock nut 1/2" - 13	96

Parts Manual Vibratory Hammer P-23

3 SUPPRESSOR HOUSING ASSEMBLY – DRAWING



Parts Manual

Vibratory Hammer P-23

4 SUPPRESSOR HOUSING ASSEMBLY - PARTS

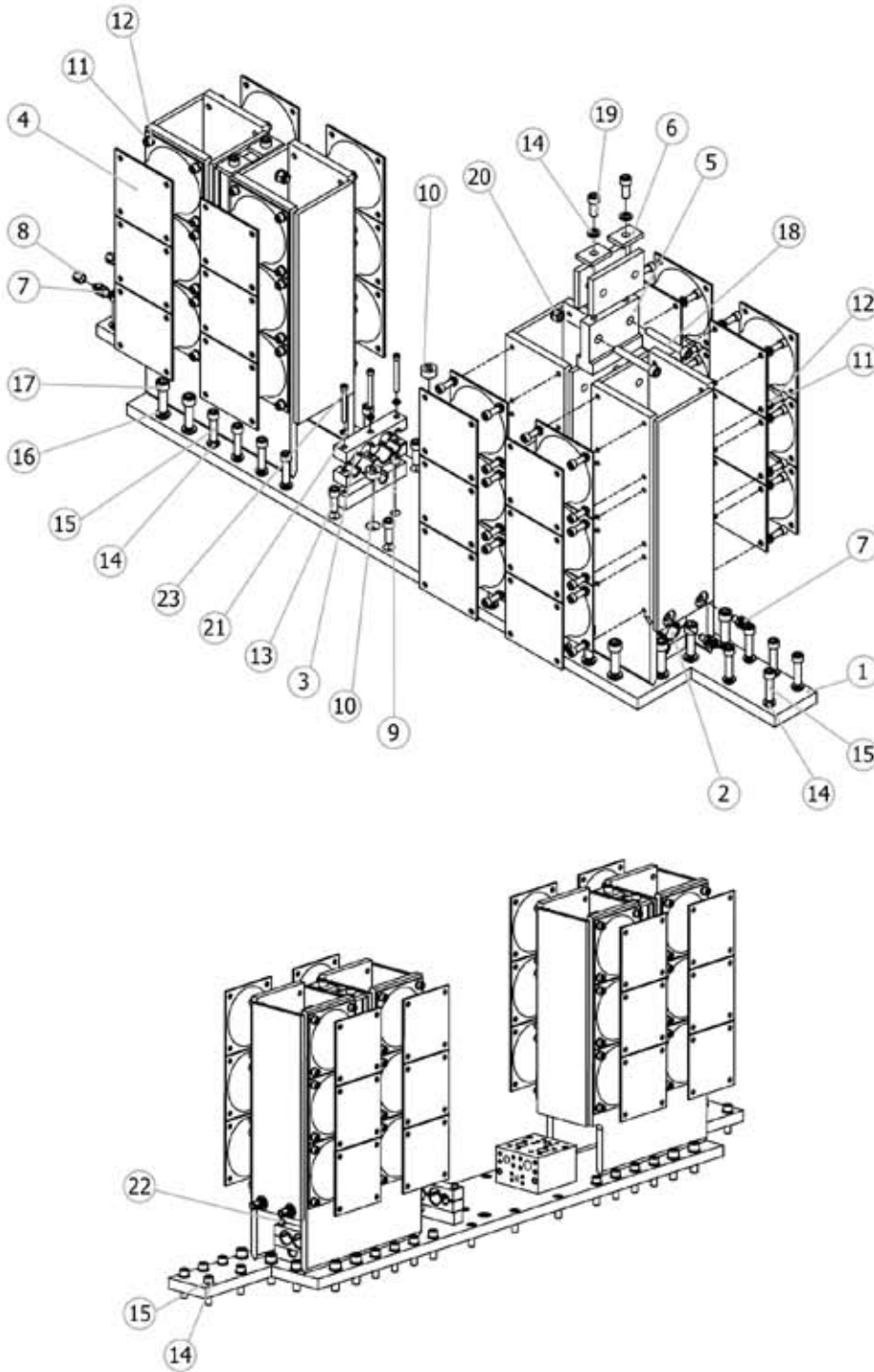
Item No.	Part Number	Description	Qty.
1	790.299	Suppressor Housing 416L	1
2	9106104	Hose Guide 416	1
3	9212101	Hose Clamp 416	1
4	0412107	Manifold Adapter Block	1
5	110.733	Terminal Manifold	1
6	790.301	Manifold Guard	1
7	110.723	Check Valve Body	1
8	0710010	Relief Valve 8M8F-C8L-100-SS	1
9	0507008	Relief Valve RAH161T50	1
10	790.909	Test coupling EMA3/1/4EDCF	1
11	100.097	O-Ring #214 24.99x3.53	2
12	110.119	O-Ring #225 47.22 x 3.53	1
13	100.043	Fitting 12 F6X-S	1
14	110.115	Fitting 24 F6X-S	1
15	100.041	Fitting 6-6F6X-S	2
16	100.039	Fitting 20 F6X-S	1
17	400.159	Fitting 1 1/2 x 1 1/4 PTRMS	1
18	100.063	Plug 1HHP-S	1
19	100.007	Springwasher 5/8"	4
20	100.121	Springwasher 1/2"	8
21	100.027	Springwasher 1/2" HC	4
22	100.575	SHCS 5/8" - 11 x 1 1/4	4
23	100.084	SHCS 1/2" - 13 x 5"	4
24	100.079	SHCS 1/2" - 13 x 4"	4
25	110.735	SHCS 1/2" - 13 x 2 1/2"	4
26	790.488	SHCS 5/8" - 11 x 4"	2
27	100.021	FHCS 1/2" - 13 x 1 1/2"	4
28	0804023	FITTING F3PB10-1/2	1



Parts Manual

Vibratory Hammer P-23

5 WELDING ASSEMBLY SUPPRESSOR HOUSING - DRAWING



Parts Manual

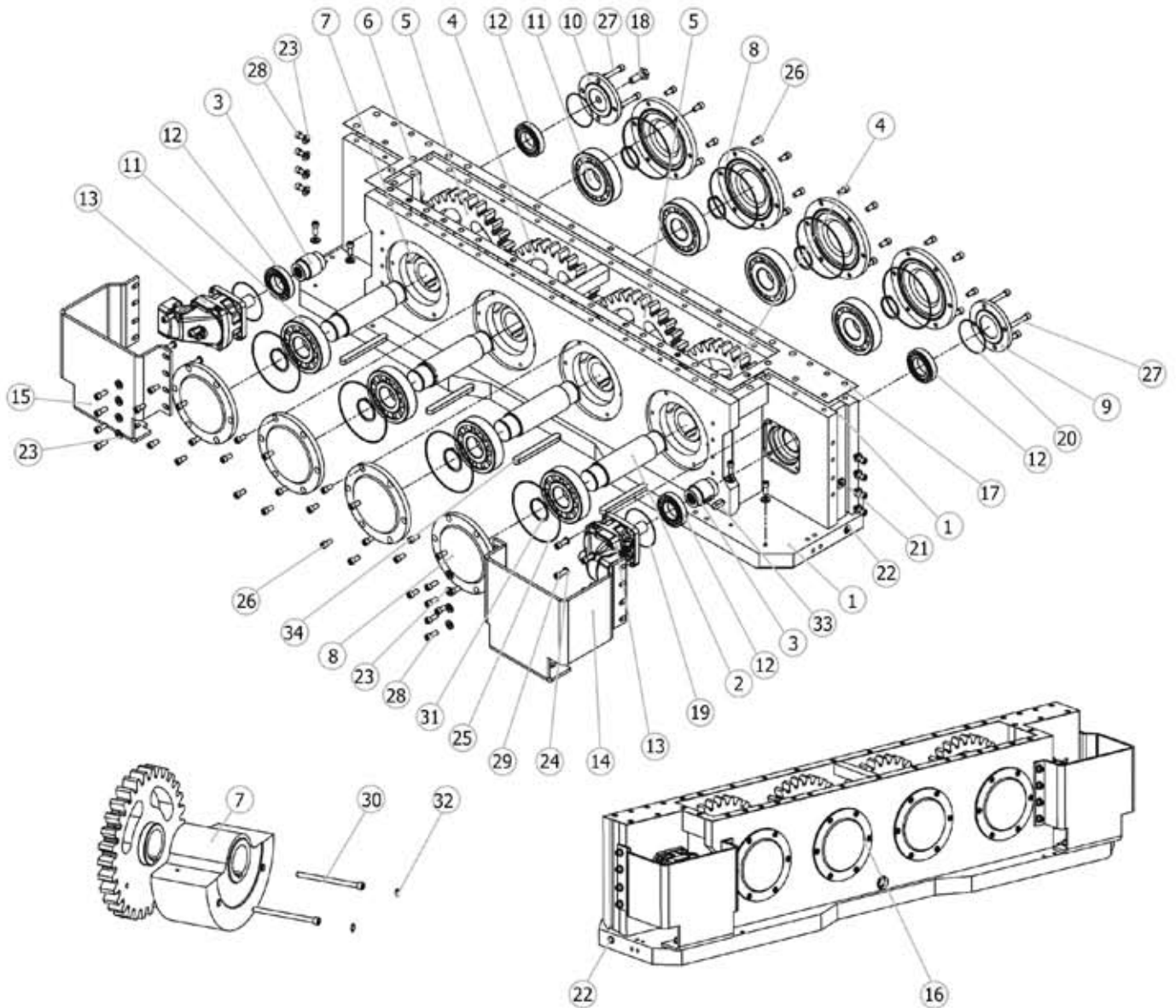
Vibratory Hammer P-23

6 WELDING ASSEMBLY SUPPRESSOR HOUSING - PARTS

Item No.	Part Number	Description	Qty.
1	790.298	Vibration Case Adapter	1
2	100.817	Double Hose Clamp	2
3	790.336	Gang hose clamp	1
4	130.023	Small round Elastomer	24
5	790.300	Stop Block	2
6	790.753	Stop Block Plate	4
7	100.055	Fitting 6WMTXWLNMS	4
8	100.057	Plug 6FNMTXS	2
9	100.423	Plug 1/2" HHP-S	1
10	100.063	Plug 1HHP-S	2
11	100.119	SHCS 1/2" -13 x 1 1/4"	96
12	100.121	Springwasher 1/2"	96
13	100.005	SHCS 5/8"-11 x 1 3/4"	6
14	100.007	Springwasher 5/8"	30
15	100.071	SHCS 5/8" -11 x 2 1/2"	22
16	100.069	Springwasher 3/4"	14
17	100.067	SHCS 3/4" -10 x 2 1/2"	14
18	100.773	SHCS 5/8" -11 x 4 1/2"	4
19	110.225	SHCS 5/8" -11 x 1 1/2"	4
20	100.086	Lock nut 5/8"	4
21	400.149	Springwasher 3/8"	3
22	110.762	SHCS 3/8" -16 x 3"	4
23	100.827	SHCS 3/8"-16 x 3 1/2"	3

Parts Manual Vibratory Hammer P-23

7 VIBRATION CASE ASSEMBLY - DRAWING



Parts Manual

Vibratory Hammer P-23

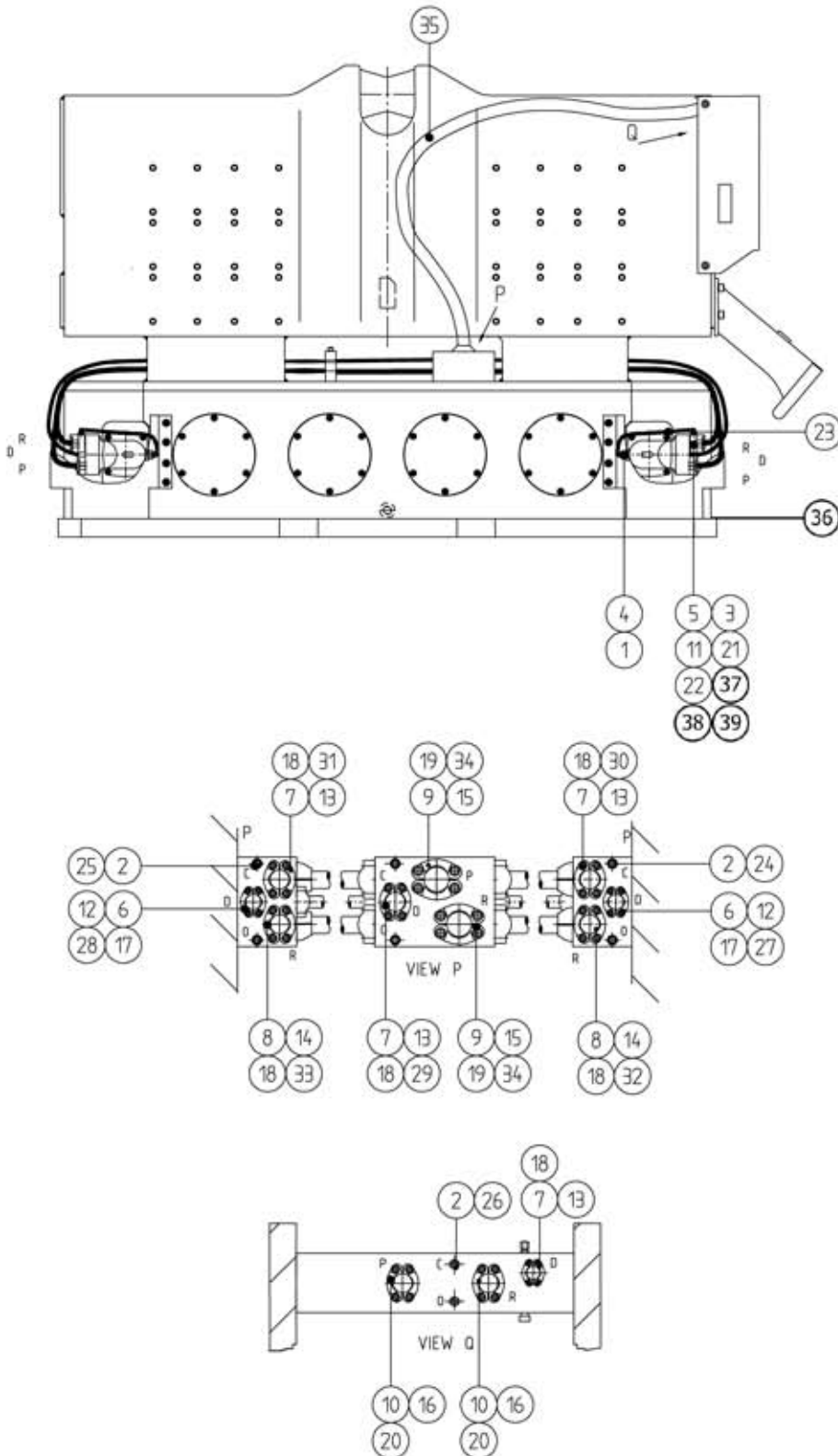
8 VIBRATION CASE ASSEMBLY - PARTS

Item No.	Part Number	Description	Qty.
1	810.051	Vibration Case 416	1
2	9705106	Eccentric Shaft 416	4
3	9705108	Motor Gear Shaft 416	2
4	0102104	Eccentric Gear 416	2
5	0102103	Eccentric Gear 416	2
6	9705109	Motor Gear 416L	2
7	130.013	Eccentric 416	4
8	100.165	Bearing Cover	8
9	100.757	Motor Bearing Cover	1
10	100.985	Bearing Housing	1
11	100.169	Bearing BC16322949C	8
12	100.161	Bearing NJ 212 ECP/C4/R821	4
13	791.158	Hydro motor - F12-60	2
14	100.763	Motor Guard Right 416	1
15	100.765	Motor Guard Left 416	1
16	100.185	Sight gauge	1
17	100.720	Gasket 416/815	1
18	810.229	Centrifugal breather	1
19	110.197	O-ring #159 126.67 x 2.62	2
20	100.781	O-Ring #156 107.62x2.62	2
21	791.114	Plug VSTI3/4ED	1
22	100.187	Plug PDRYT 1012	2
23	790.460	T-Ring-13-St - ZP	20
24	100.121	Springwasher 1/2"	8
25	110.167	O-ring #266 202.79 x 3.53	8
26	100.445	SHCS 1/2" - 13 x 1"	48
27	140.143	SHCS 1/2" - 13 x 3/4"	8
28	100.119	SHCS 1/2" -13 x 1 1/4"	20
29	100.513	SHCS 1/2" - 13 x 1 1/2"	8
30	790.501	SHCS ISO 4762 M12 x 180 - 12.9 DM	8
31	790.154	Retaining ring DIN 471 70 x 2.5	8
32	9303007	Retaining Ring DIN 472 19 x 1	8
33	9703001	Parallel Key DIN 6885A 20 x 12 x 45	2
34	9705001	Parallel key DIN 6885A 22 x 14 x 200	4

Parts Manual

Vibratory Hammer P-23

9 HYDRAULIC ASSEMBLY - DRAWING



Parts Manual

Vibratory Hammer P-23

10 HYDRAULIC ASSEMBLY - PARTS

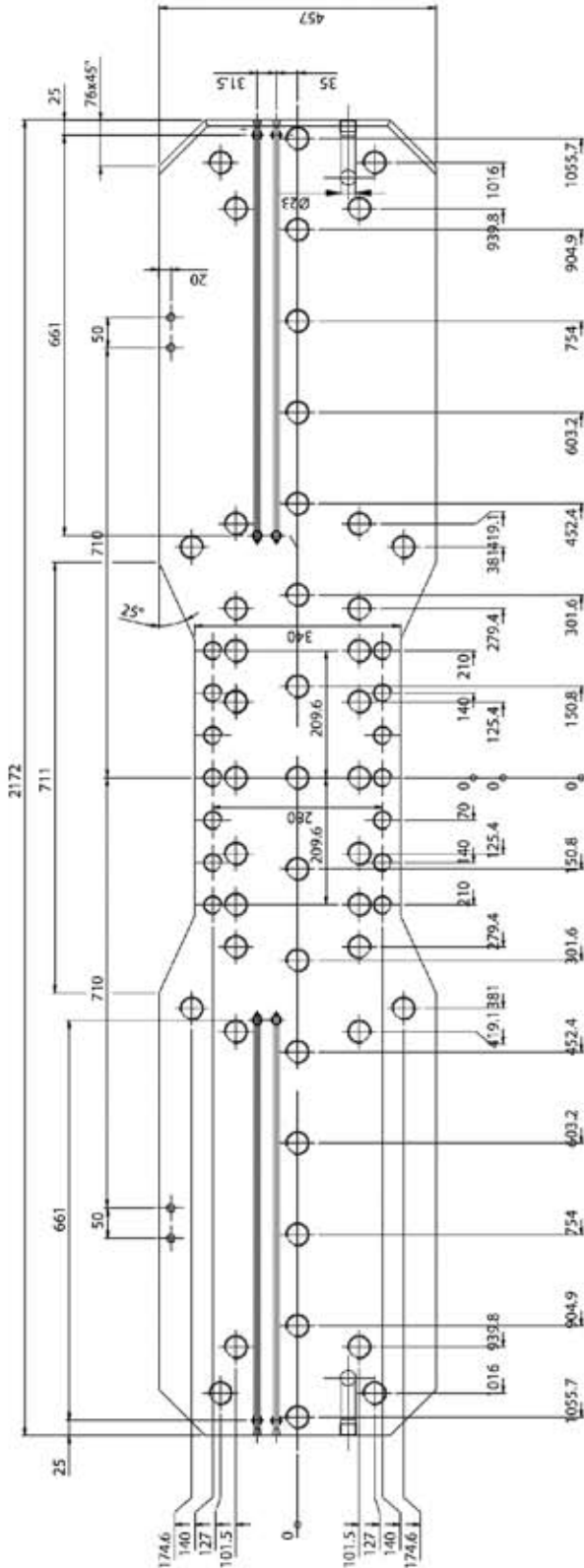
Item	Qty	Description	Part No.
1	2	FITT2L-06J06M000-000H001	400.411
2	8	FITT2S-06M06R000-000H001	100.053
3	2	FITT2L-06M06R000-000H001	130.057
4	2	FITT-2L06M10R000-000H001	9710006
5	2	ADAPTER FLANGE	0109101
6	2	SPLIT FL. KIT #8 3000 psi	100.103
7	4	SPLIT FL. KIT #12 3000 psi	100.049
8	2	SPLIT FL. KIT #16 3000 psi	100.089
9	2	SPLIT FL. KIT #20 3000 psi	100.045
10	2	SPLIT FL. KIT #24 3000 psi	100.596
11	4	SPLIT FLANGE #12 6000 psi	140.467
12	2	O-RING #210	100.107
13	9	O-RING #214	100.097
14	2	O-RING #219	100.091
15	2	O-RING #222	100.037
16	4	O-RING #225	110.119
17	8	SHCS 5/16"-18 x1"	100.105
18	24	SHCS 3/8"-16 x 1"	100.051
19	8	SHCS 7/16"-14 x 1"	100.047
20	8	SHCS 1/2"-13 x 1 1/4"	100.119
21	8	SHCS 1/2"-13 x 13/4"	100.143
22	8	SHCS 3/8" - 16 x 2 1/2"	790.076
23	2	HOSE 038R02J006J406L00920	0201059
24	2	HOSE 038R02J006J006L02000	100.108
25	2	HOSE 038R02J006J006L03600	100.112
26	2	HOSE 038R02J006J006L06800	9501034
27	1	HOSE 050R01J008F008L03500	100.833
28	1	HOSE 050R01J008F008L05250	100.835
29	1	HOSE 075R01F012F012L06850	790.364
30	1	HOSE 100PT4H912F012L04150	9404030
31	1	HOSE 100PT4H912F012L05950	9404028
32	1	HOSE 100PT4H912F016L03900	9404029
33	1	HOSE 100PT4H912F016L05670	9404027
34	2	HOSE 125R10F024F020L06700	790.365
35	12	RUBBER TIE DOWN	130.243
36	4	FITT 2V-04P-6M	9501038
37	2	FITT 2P-01P	9607019
38	2	FITT 2S-10R08M	300.099
39	2	FITT 2L-08J08M	100.702



Parts Manual

Vibratory Hammer P-23

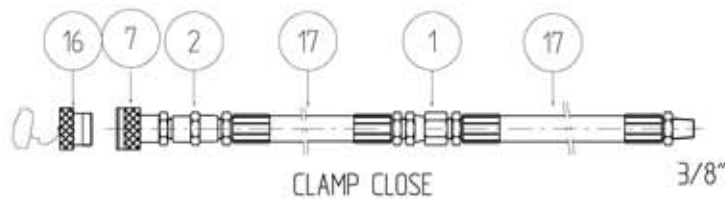
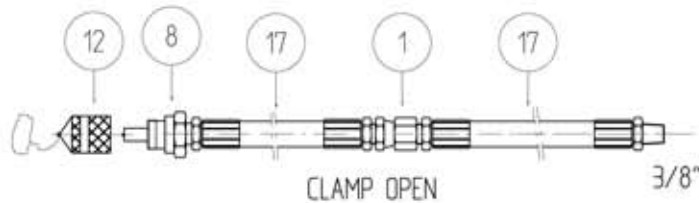
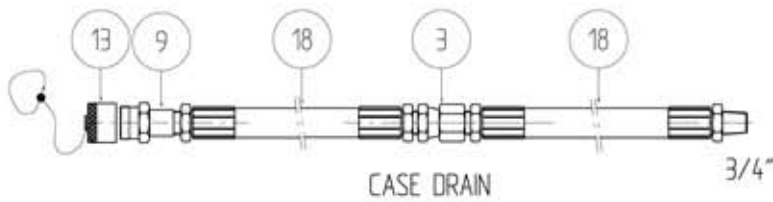
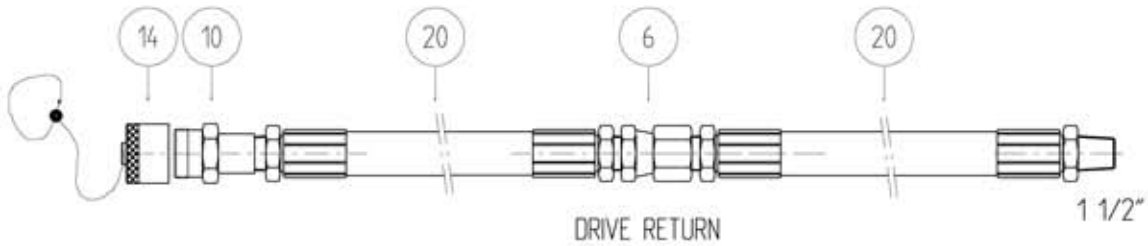
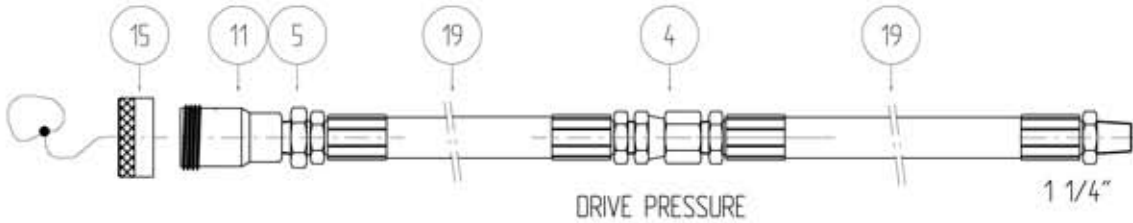
11 BOTTOM VIEW OF VIBRATION CASE



Parts Manual

Vibratory Hammer P-23

12 HOSE ASSEMBLY (HOSES BETWEEN HAMMER AND EXCAVATOR)



Parts Manual

Vibratory Hammer P-23

13 HOSE ASSEMBLY - PARTS

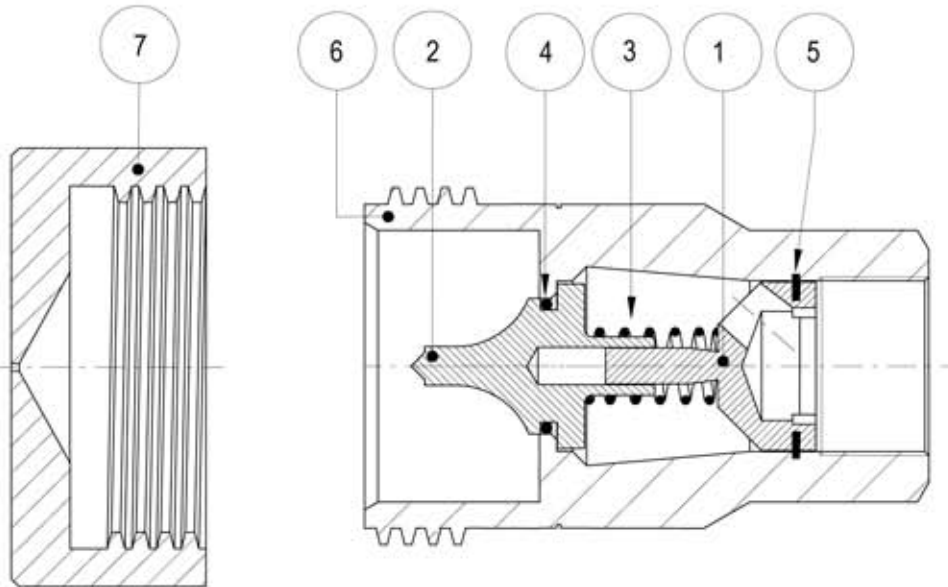
Item	Qty	Description	Part No.
1	2	FITT2S-06Q06N	100.249
2	1	FITT2S-06Q06Q	110.143
3	1	FITT2S-12Q12N	100.243
4	1	FITT2S-20Q20N	100.235
5	1	FITT2S-24P20Q	400.159
6	1	FITT2S-24Q24N	110.139
7	1	FEMALE DISCONNECT 3/8"	100.777
8	1	MALE DISCONNECT 3/8"	100.245
9	1	MALE DISCONNECT 3/4"	400.251
10	1	COUPLER 1 1/2"	100.897
11	1	MALE DISCONNECT 1 1/2"	110.690
12	1	DUST CAP 3/8"	100.257
13	1	DUST CAP 3/4"	400.253
14	1	DUST CAP	100.893
15	1	DUST CAP 1 1/2"	110.955
16	1	DUST PLUG 3/8"	100.737
17	4	HOSE038R02P006P006L62000	100.247
18	2	HOSE075R04P012P012L62000	100.241
19	2	HOSE125PT4P020P020L60000	100.233
20	2	HOSE150PT6P024P024L60000	110.141
	15	RUBBER TIE DOWN	130.243

Parts Manual

Vibratory Hammer P-23

14 HOSE ASSEMBLIES - QUICK DISCONNECT 1½" - DRAWING

MALE (110.690)





Parts Manual

Vibratory Hammer P-23

15 HOSE ASSEMBLIES - QUICK DISCONNECT 1½" - PARTS

ITEM	QTY	DESCRIPTION	Part. No.
1	1	INSERT 1	850.067/1
2	1	INSERT 3	850.067/3
3	1	SPRING	790.140
4	1	O-RING #216	790.139
5	1	RETAINING RING (45 x 1.75)	790.155
6	1	MALE COUPLER HOUSING	110.690
7	1	DUST CAP	110.955

