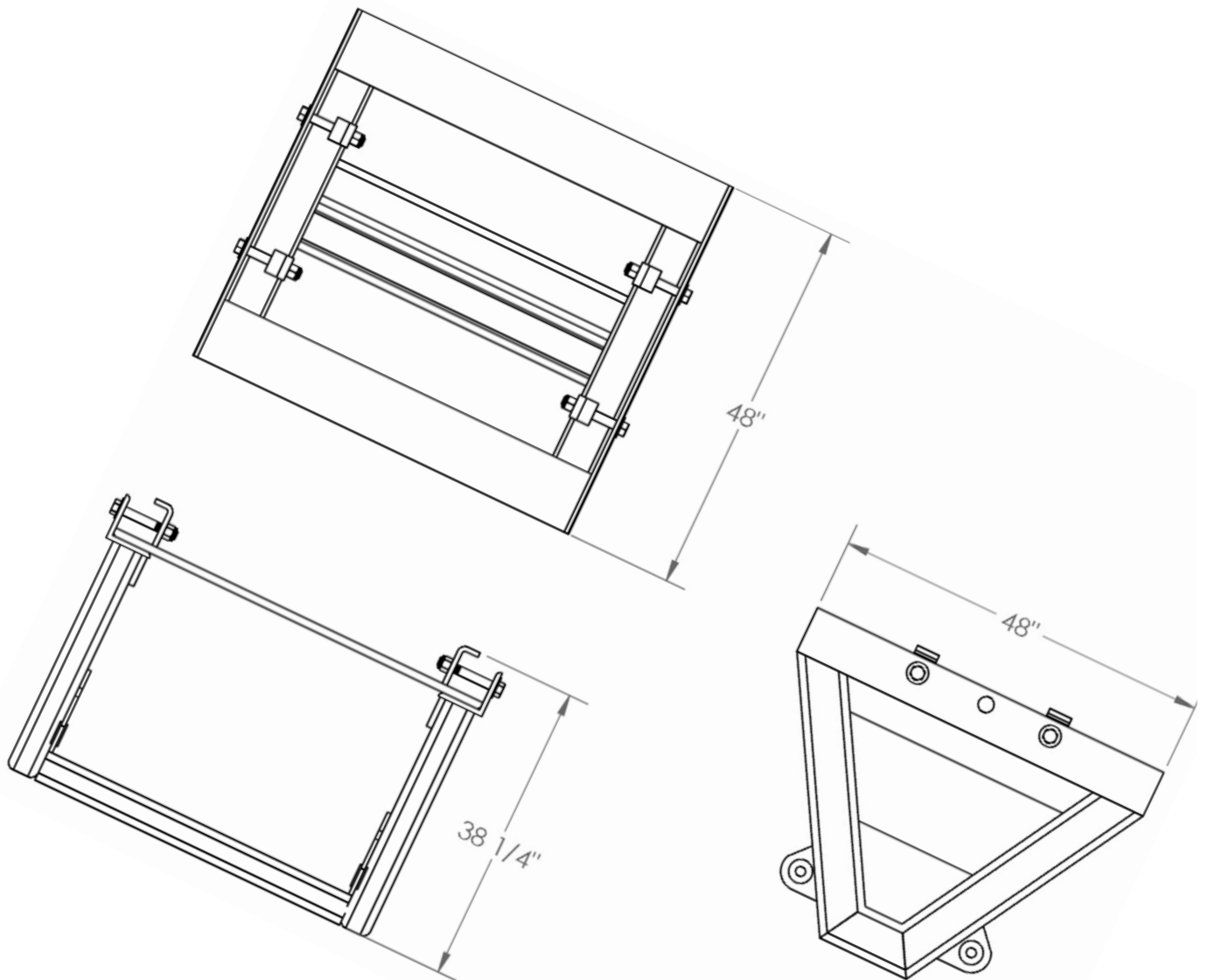
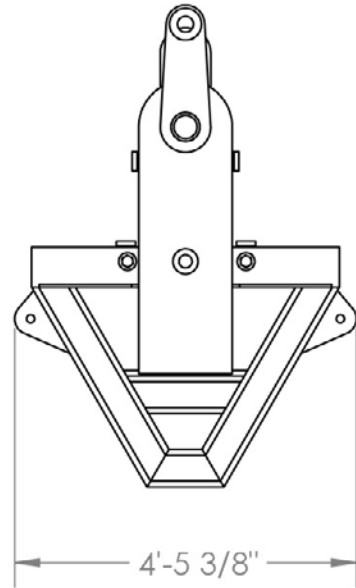
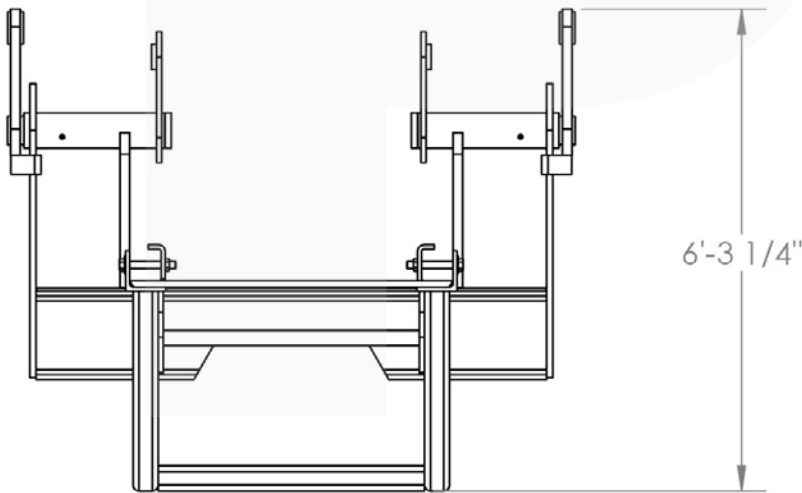
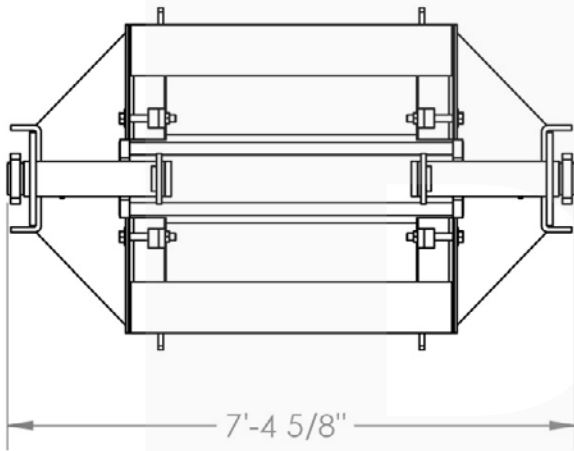


# WINCH SYSTEM DIAGRAMS

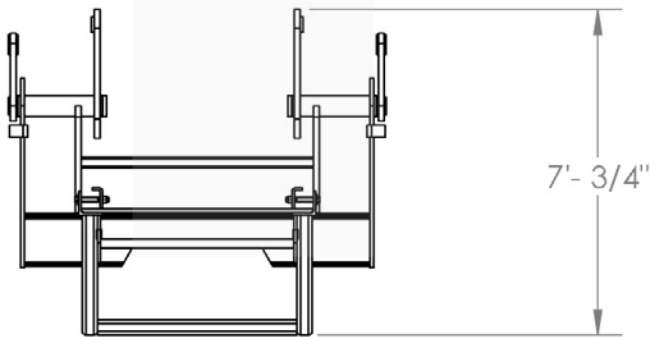
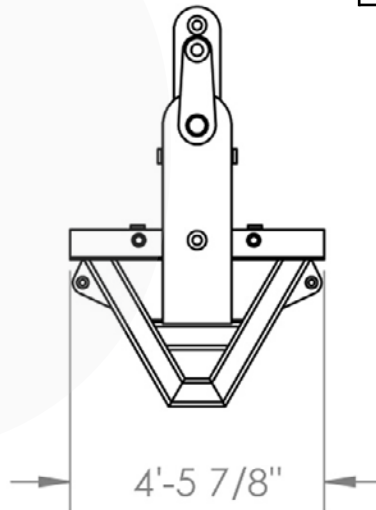
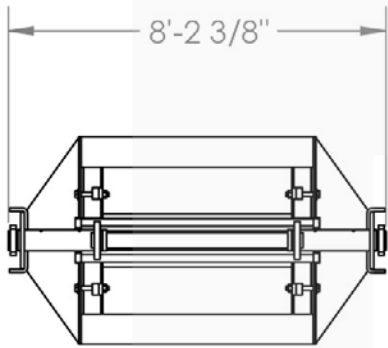



**Winch Lift Section for U-32**

8001481

for U-32

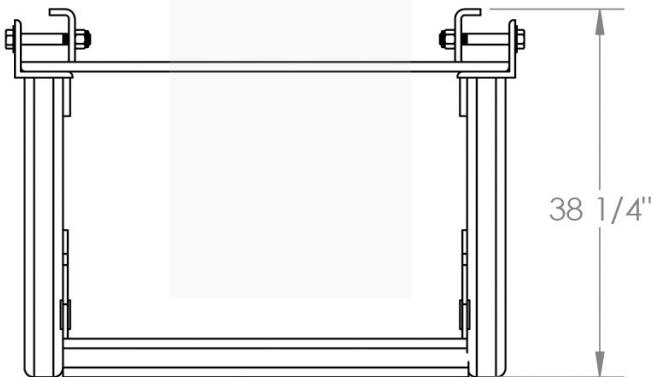
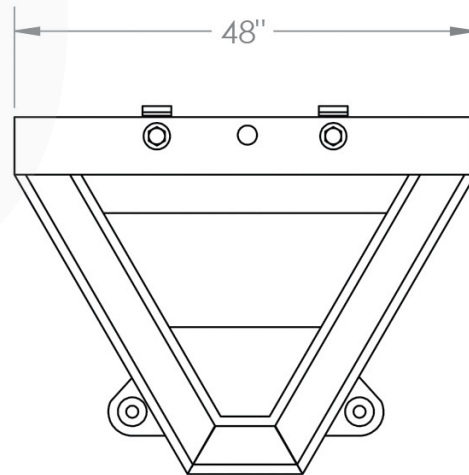
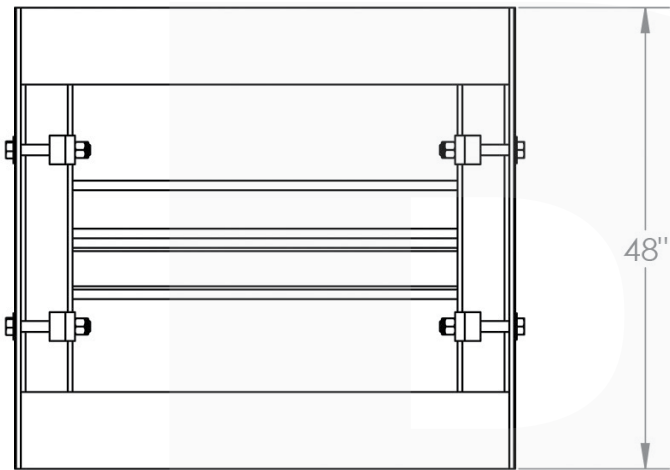
2,844 lbs approx.


**Winch Lift Section for U-32**

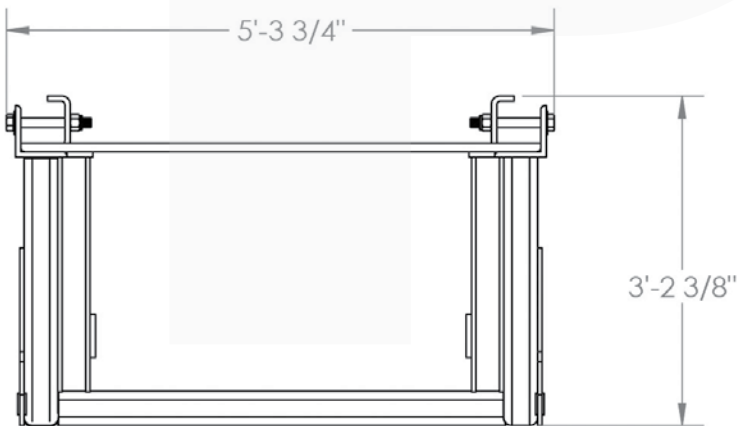
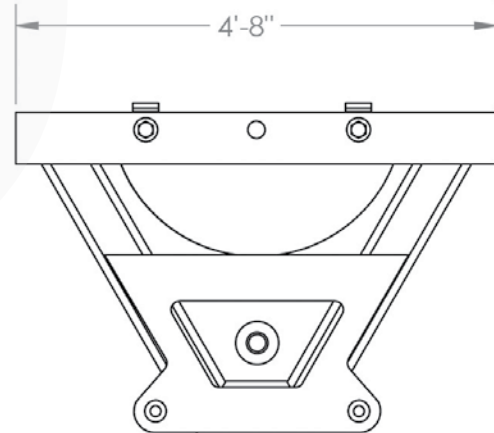
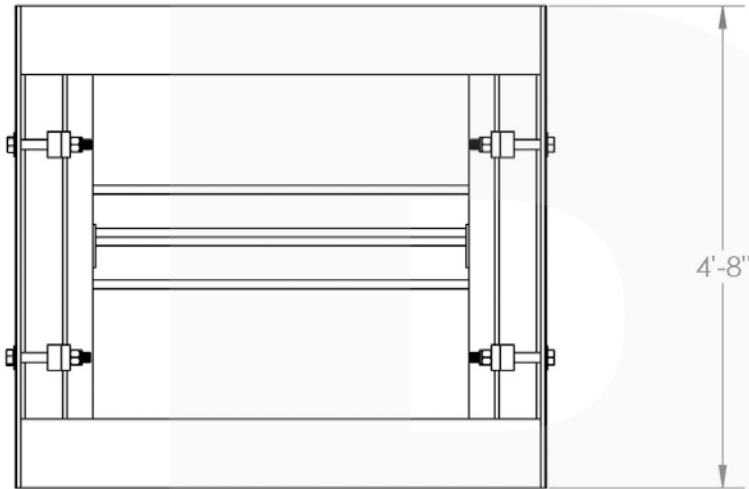
8005168

for U-42

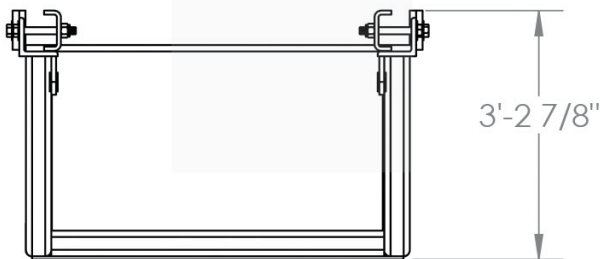
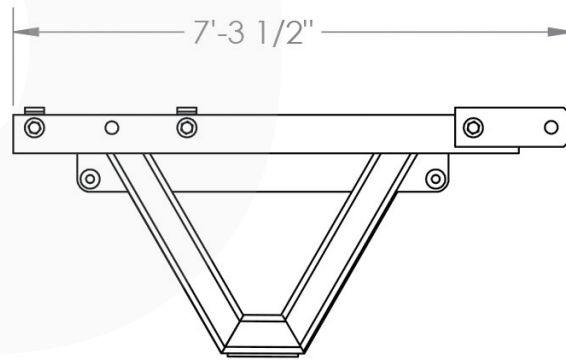
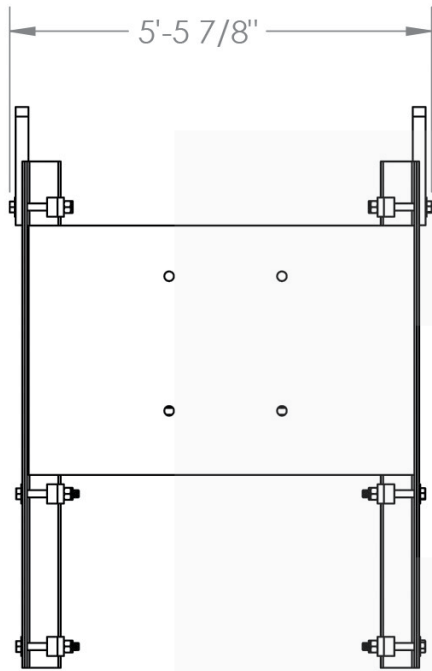
3,201 lbs approx.


**Support Leg U-32**

8001478	for U-32	1,243 lbs approx.
---------	----------	-------------------


**Support Leg U-42**

8005169	for U-42	1,141 lbs approx.
---------	----------	-------------------

**Leg with Winch Bracket U-42**

**Leg with Winch Bracket U-42**

8005167	for U-42	1,742 lbs approx.
---------	----------	-------------------