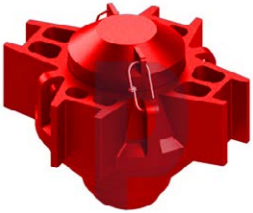

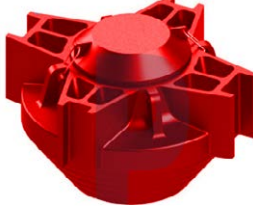




Offshore Helmet Assembly


All weights are approximate


P-514 36" OFFSHORE MALE TYPE HELMET ASSEMBLY					
	#	Assembly	Qty	Weights lbs. approx.	Accessories
	410455	Male type Offshore Helmet	1	6,300	steel cable 2
	500315	striker plate, Ø 23"x10"	1	974	(910-CBCP-12MM) cable clamp 2
	500159	aluminium cushion, Ø 23"x1/2"	3	63 (for 3)	
	500109	phenolic cushion, Ø 23"x1"	2	56 (for 2)	
				Total: 7,393 lbs	
Pipe Pile Size: 16"x 1", 20"x 1" 24"x 1-1/2", 30"x 1-1/2", 36"x 1-1/2" U-Lead Size: 36.5" x 8", 42.5" x 8"					
P-515 48" OFFSHORE MALE TYPE HELMET ASSEMBLY					
	410452	Male type Offshore Helmet	1	14,400	steel cable 2
	500330	striker plate, Ø 27"x12"	1	1,532	(910-CBCP-12MM) cable clamp 2
	500160	aluminium cushion, Ø 27"x1/2"	3	84 (for 3)	
	500110	phenolic cushion, Ø 27"x1"	2	76 (for 2)	
				Total: 16,092 lbs	
Pipe Pile Size: 24" x 1", 30" x 1", 36" x 2" , 42" x 2", 48" x 2" U-Lead Size: 48.5" x 8", 54.5" x 8"					
P-516 66" OFFSHORE MALE TYPE HELMET ASSEMBLY					
	410453	Male type Offshore Helmet	1	26,600	steel cable 2
	500335	striker plate, Ø 37"x 12"	1	3,080	(910-CBCP-12MM) cable clamp 2
	500165	aluminium cushion, Ø 37"x 1/2"	3	159 (for 3)	
	500115	phenolic cushion, Ø 37"x 1"	2	142 (for 2)	
				Total: 29,981 lbs	
Pipe Pile Size: 42" x 1-1/2", 48" x 1-1/2", 54" x 1-1/2", 60" x 1-1/2", 66" x 1-1/2" U-Lead Size: 66.5"x 8", 68.5"x 12"					

All weights are approximate

P-517 98" LARGE DIAMETER DRIVE PLATES					
	410454	98" Drive Plates Diameter	1	38,400	steel cable 2
	500335-B	striker plate, Ø 37" x 16"	1	4,217	(910-CBCP-12MM) cable clamp 2
	500165	aluminium cushion, Ø 37" x 1/2"	3	159 (for 3)	
	500115	phenolic cushion, Ø 37" x 1"	2	142 (for 2)	
					Total: 42,918 lbs
Pipe Pile Size: Up to 98-1/2"Ø , Use guide shoes for Ø 66", 72", 84", 96"					OS Type Lead: OS 98

P-518 120" LARGE DIAMETER DRIVE PLATES					
	410456	120" Drive Plates Diameter	1	61,001	steel cable 2
	500335-B	striker plate, Ø 37" x 16"	1	4,217	(910-CBCP-12MM) cable clamp 2
	500165	aluminium cushion, Ø 37" x 1/2"	3	159 (for 3)	
	500115	phenolic cushion, Ø 37" x 1"	2	142 (for 2)	
					Total: 65,519 lbs
Pipe Pile Size: Up to 120"Ø Use guide shoes for Ø 84", 96", 98", 108",114"					OS Type Lead: 10120

P-528 98" LARGE DIAMETER STEP DRIVE PLATES					
	410474	98" Step Drive Plates Diameter	1	46,578	steel cable 2
	500335-B	striker plate, Ø 37" x 16"	1	4,217	(910-CBCP-12MM) cable clamp 2
	500165	aluminium cushion, Ø 37" x 1/2"	3	159 (for 3)	
	500115	phenolic cushion, Ø 37" x 1"	2	142 (for 2)	
					Total: 51,096 lbs
Pipe Pile Size: 54", 60", 66", 72", 84", 96" 98" Ø					OS Type Lead : 10098

P-529 120" LARGE DIAMETER STEP DRIVE PLATES					
	410464	120" Step Drive Plates Diameter	1	74,621	steel cable 2
	500335-B	striker plate, Ø 37" x 16"	1	4,217	(910-CBCP-12MM) cable clamp 2
	500165	aluminium cushion, Ø 37" x 1/2"	3	159 (for 3)	
	500115	phenolic cushion, Ø 37" x 1"	2	142 (for 2)	
					Total: 79,139 lbs
Pipe Pile Size: 96", 108", 114" & 120" Ø					OS Type Lead: 10120