

**PARTS MANUAL**  
**Power Pack**  
**PILECO V-250**



**PARTS MANUAL V-250**

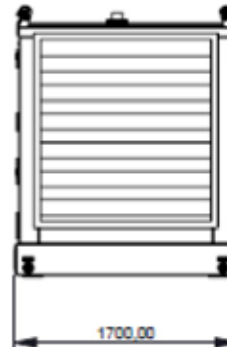
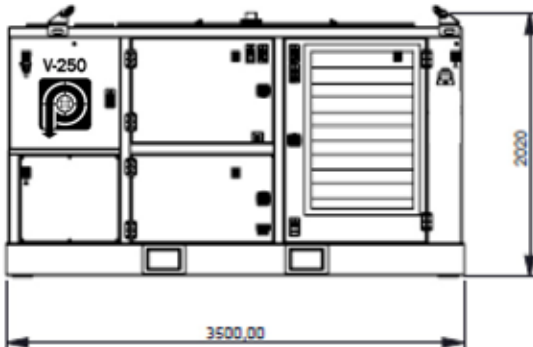
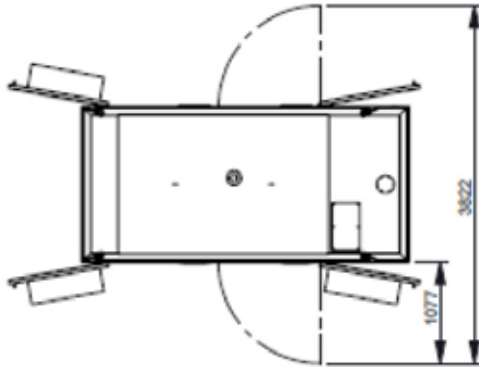


<b>Model:</b>	<b>V-250</b>
<b>Serial number:</b>	<b>V-250-HUPU-015-0321</b>
<b>Year of manufacture:</b>	<b>2022</b>
<b>Revision:</b>	<b>B</b>

office (936)494-4200  
1-800-409-0018  
fax (936)494-4517  
www.Pileco.com  
491 Conroe Park W. Dr. • Conroe, TX 77303

**12/29/2023**

# PARTS MANUAL V-250



## Technical Specifications

<b>Diesel Engine:</b>	Caterpillar C7.1 Stage V 205 bkW
<b>RPM:</b>	1900
<b>Drive Pump:</b>	Sauer Danfoss
<b>Max. Working pressure:</b>	350 bar
<b>Oil Flow</b>	250 l/min.
<b>Fuel Capacity</b>	565 litre /149 gal
<b>Hydraulic Capacity</b>	950 litre/ 251 gal
<b>Length:</b>	3500 mm/ 138 inches
<b>Width</b>	1700 mm/ 67 inches
<b>Height:</b>	2037 mm/ 80.2 inches
<b>Weight:</b>	5250 kg/ 11,574 lbs

## Legal Jargon

Pileco Inc. has the right to change parts of the equipment at any time without prior or direct notice to the client. The contents of this publication are subject to changes without prior notice.

This publication is to be used for the standard version of the equipment only. Pileco Inc. cannot be held responsible for any damage resulting from the application of this publication to the version actually delivered to you.

For extra information as to adjustments, maintenance and repair, please contact the technical department of your supplier.

This publication has been written with great care. However, Pileco Inc. cannot be held responsible, either for any errors occurring in this publication or for their consequences.

# PARTS MANUAL V-250

## **CONTENTS**

<b>1. Preface.....</b>	<b>5 pg.</b>
<b>2. Exterior.....</b>	<b>6-7 pg.</b>
<b>3. Ce Marking Set.....</b>	<b>8 pg.</b>
<b>4. Interior.....</b>	<b>9-10 pg.</b>
<b>5. Hydraulic.....</b>	<b>11-19 pg.</b>
<b>6. Control Panel.....</b>	<b>20-21 pg.</b>
<b>7. Electrical.....</b>	<b>22 pg.</b>
<b>8. Diesel Hammer.....</b>	<b>23 pg.</b>

# PARTS MANUAL V-250

## **1. PREFACE**

This parts manual has been written for the users of Pileco inc. hydraulic power units. The parts manual explains which parts are used in the hydraulic power unit. If needed parts can be looked up in the parts manual for reordering.

One copy of the part manual will be delivered with the hydraulic power pack. The document should be stored in a safe place. If needed an extra copy can be ordered at your local dealer.

For ordering of parts model number, equipment serial number and part number are needed.

Please have these numbers when ordering the parts.

If problems arise which are beyond the scope of this manual, please contact your dealer. They are prepared to assist you to make the best use of your equipment.

Please have the following at hand:**If you call, please have the following at hand:**

**Model number:**  
**Equipment serial number:**

**office:** (936)494-4200  
**fax:** (936)494-4517  
**email:** sales@pileco.com

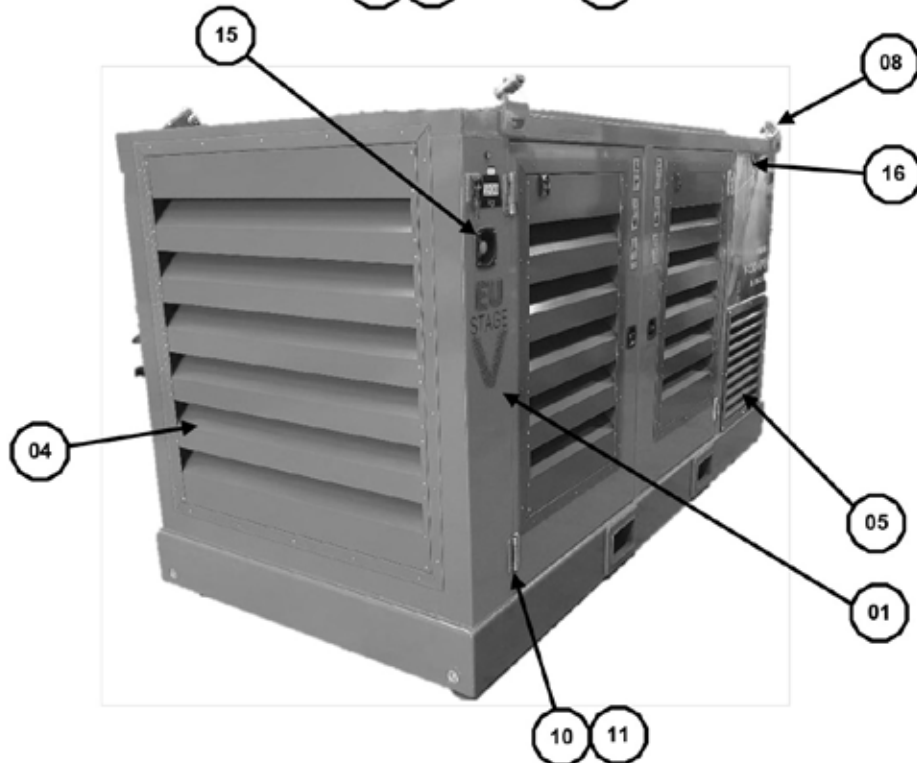
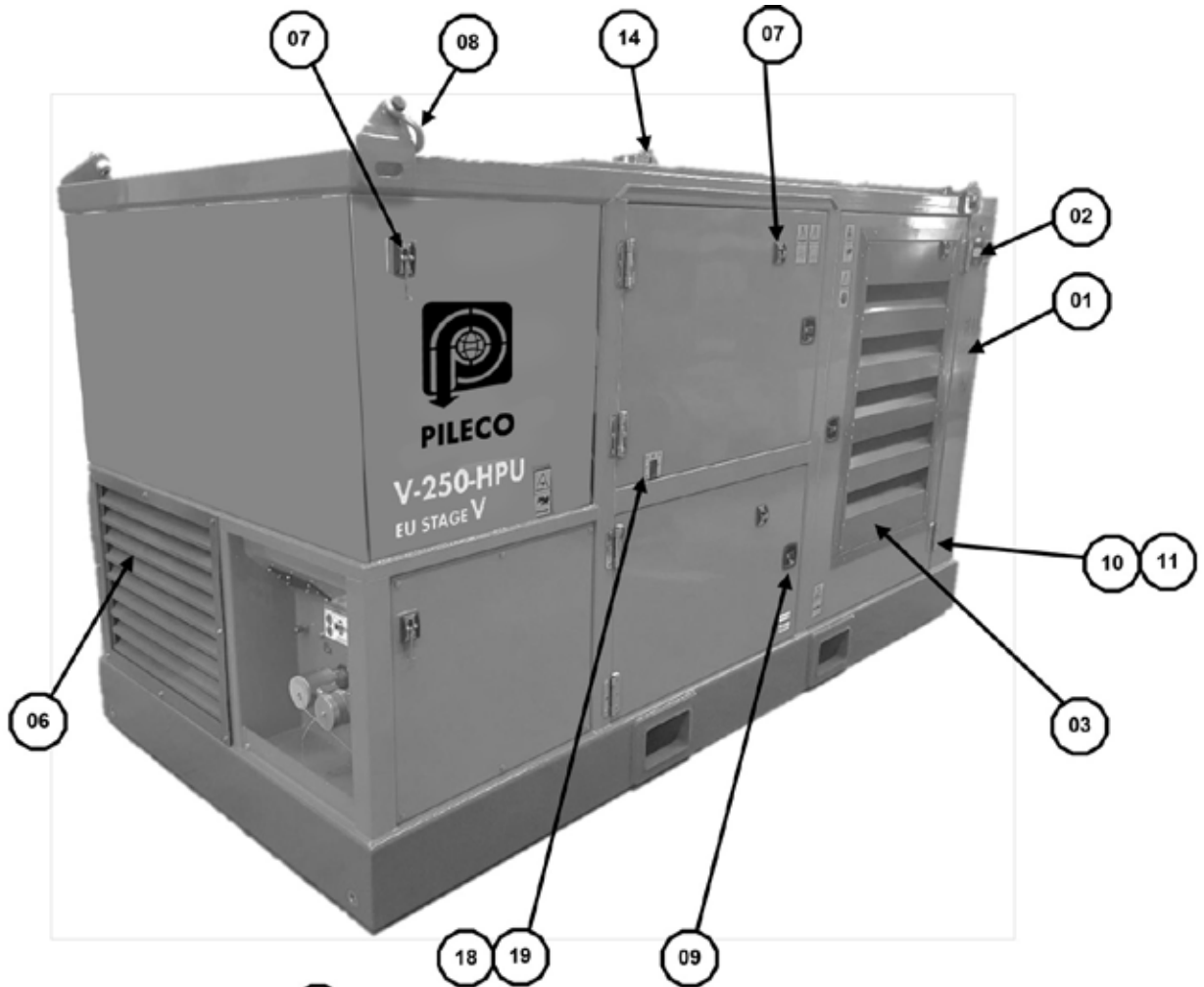
[www.Pileco.com](http://www.Pileco.com)

491 Conroe Park W. Dr.  
Conroe, TX 77303

<b>Model:</b>	<b>V-250</b>
<b>Serial number:</b>	<b>V-250-HUPU-015-0321</b>
<b>Year of manufacture:</b>	<b>2022</b>
<b>Revision:</b>	<b>B</b>

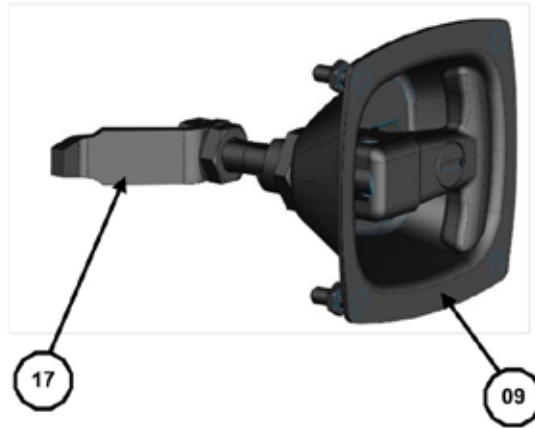
# PARTS MANUAL V-250

## 2. EXTERIOR



# PARTS MANUAL V-250

HPU Exterior				
Item	QTY	Description	Part no.	
01	1	Logo Stage V	1000196	
02	1	CE Marking sticker set	1000230	Only as set
03	3	Air vent 800 x 1200	1000248	
04	1	Air vent 1300 x 1200	1000249	
05	1	Air vent 700 x 620	1000262	
06	1	Air vent 800 x 620	1000263	
07	5	Door holder set	1000286	
08	4	H-Shackle	1000264	
09	5	Door lock	1000125	
10	10	Door hinge spacer	1000123	
11	10	Door hinge	1000094	
14	1	Rain cap Stainless	1000346	
15	1	Emergency stop button complete	1000142	
16	4	Warning lights	1000235	
17	5	Lock plate	1000268	
18	1	Cable feedthrough gasket	1000127	
19	1	Cable feedthrough cover	1000126	
20	25	Door seal-clamp profile	1000332	(order by meter)



1000332 - Door seal-clamp profile

# PARTS MANUAL V-250

## 3. CE MARKING SET



**PILECO INC.**

Service Report Power Pack

Date

Hours

Machine no.

Next oil change  Hrs

Filter hydraulic  Hrs

Filter air/fuel  Hrs

Cooling fluid  °C

Engine oil

Engine coolant

Hydraulic oil

Auto hydr. oil

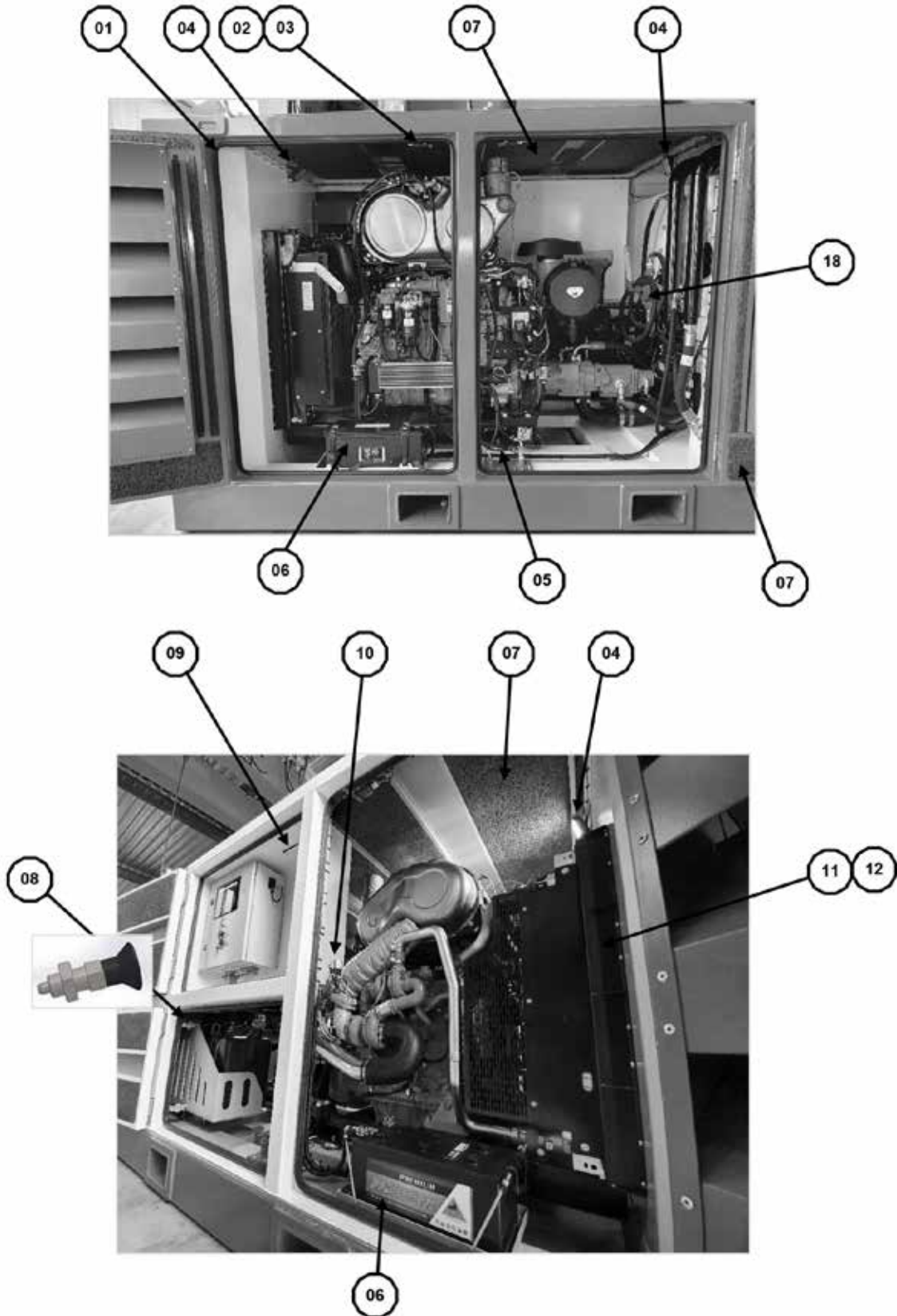
info@pileco.com

1000422-Service Sticker HPU

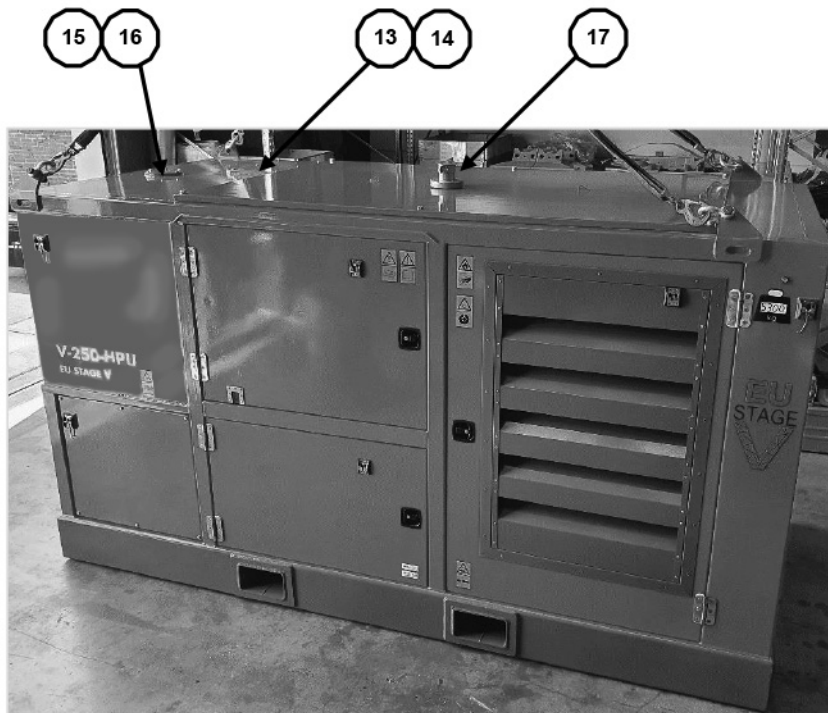


# PARTS MANUAL V-250

## 4. INTERIOR

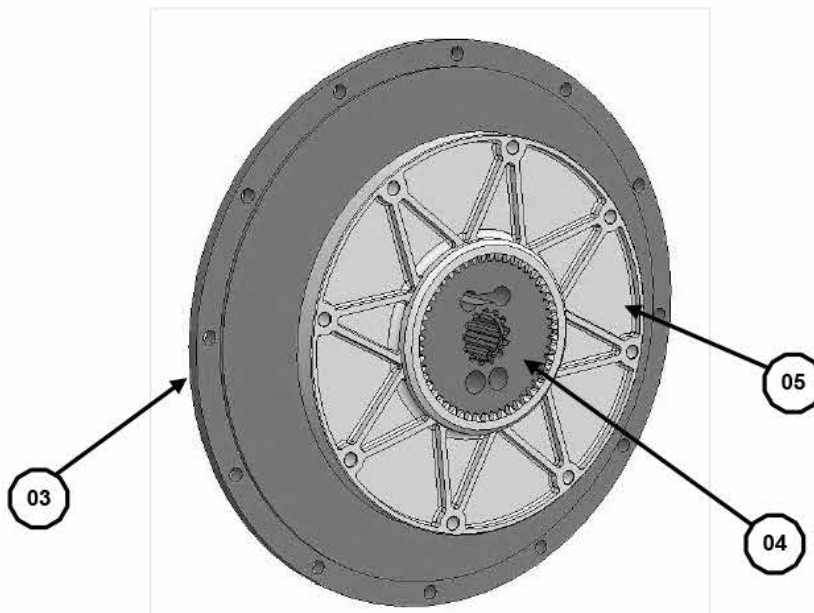
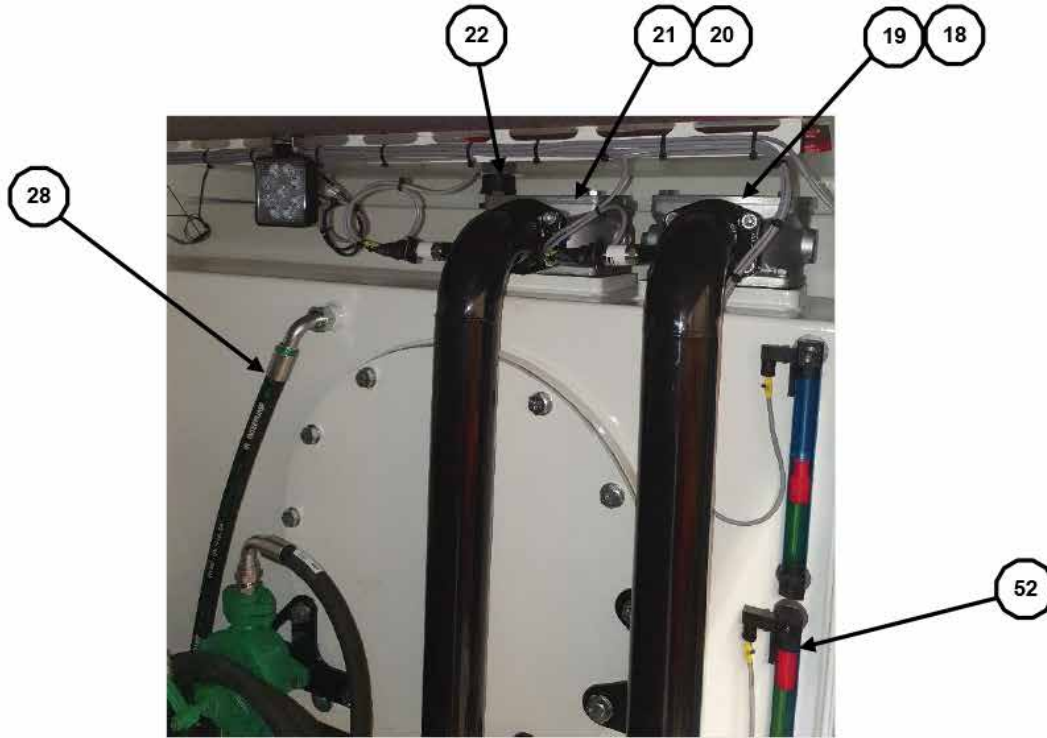


# PARTS MANUAL V-250

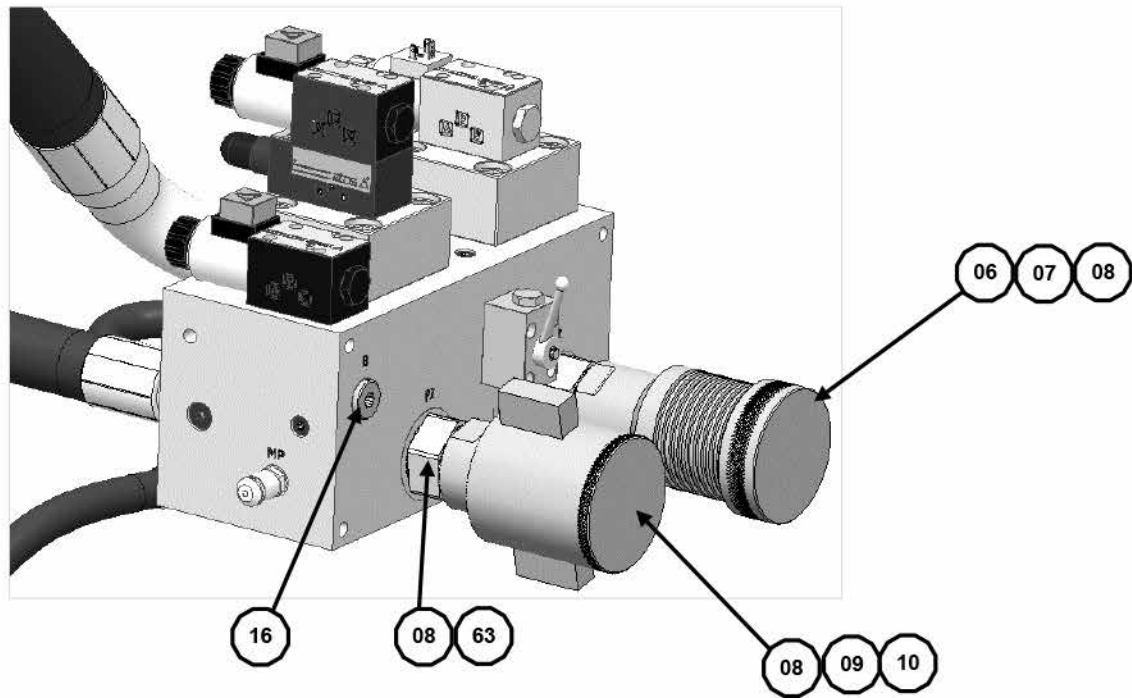
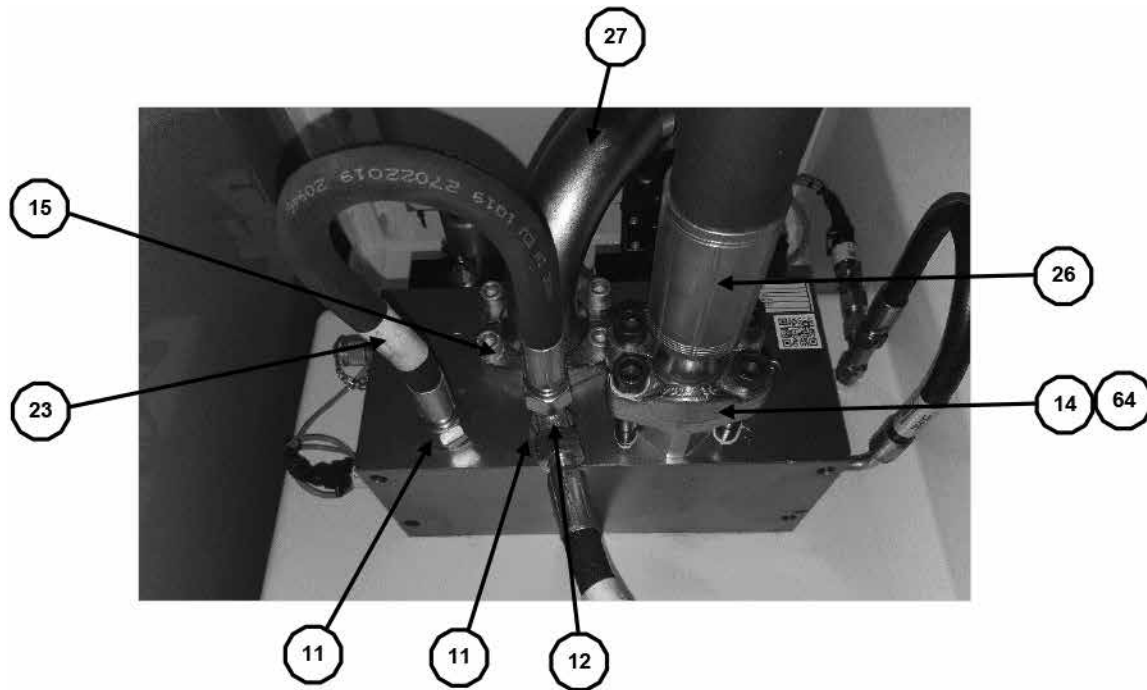


HPU Interior				
Item	QTY	Description	Part no.	
01	25	Door seal-clamp profile	1000332	(order by meter)
02	4	Limit switch	1000336	
03	4	Cable feed trough	1000460	
04	2	Work light LED 10-30VDC/15W	1000319	
05	4	Vibration damper	1000100	
06	2	Starter Battery	1000136	
07	1	Sound Insulation set V-250-HPU	1000219	(Only as set)
08	1	Lock Pin	1000129	
09	1	Panel Light LED 12/24V 3,5W	1000320	
10	1	Mains Relay	1000277	
11	2	Radiator seal plate	1000096-701	
12	4	Radiator seal L=1200	1000334	(cut to size)
13	1	Filter Cover	1000096-703	
14	1	Filter Cover gasket	1000461	
15	1	Breather Cover	1000096-702	
16	1	Breather Cover gasket	1000462	
17	1	Exhaust rain cap	1000346	
18	1	Manual pump hydraulic oil	1000575	

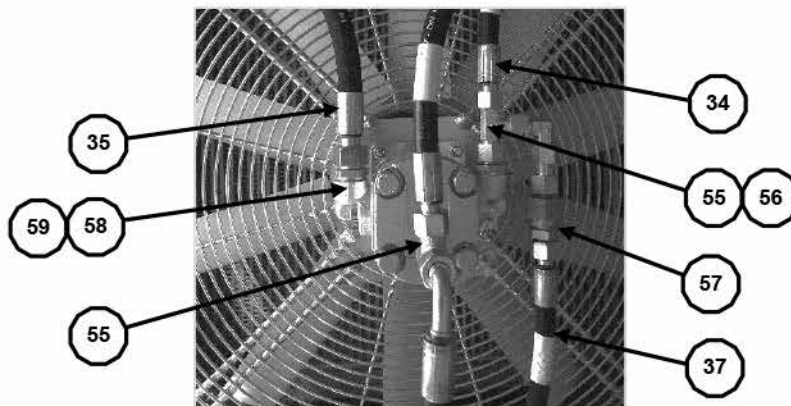
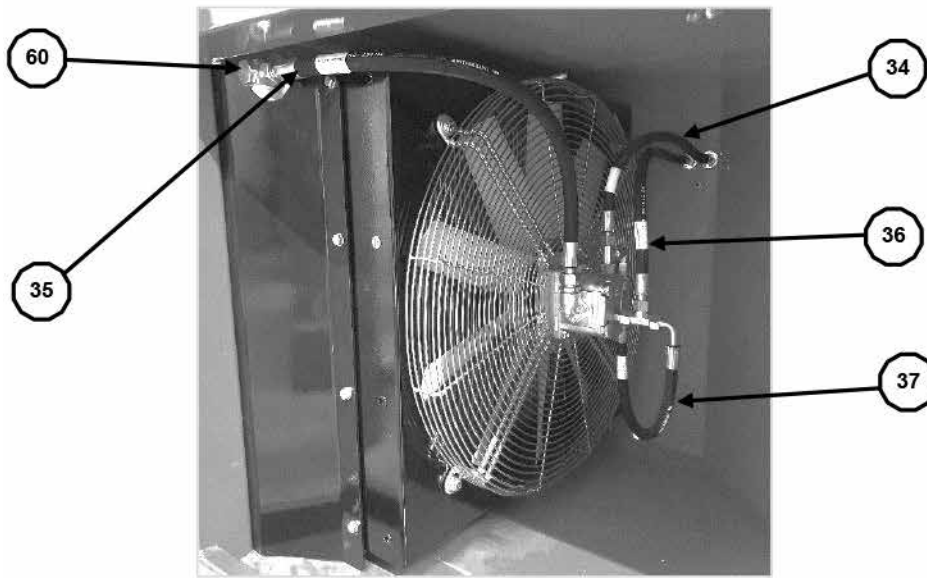
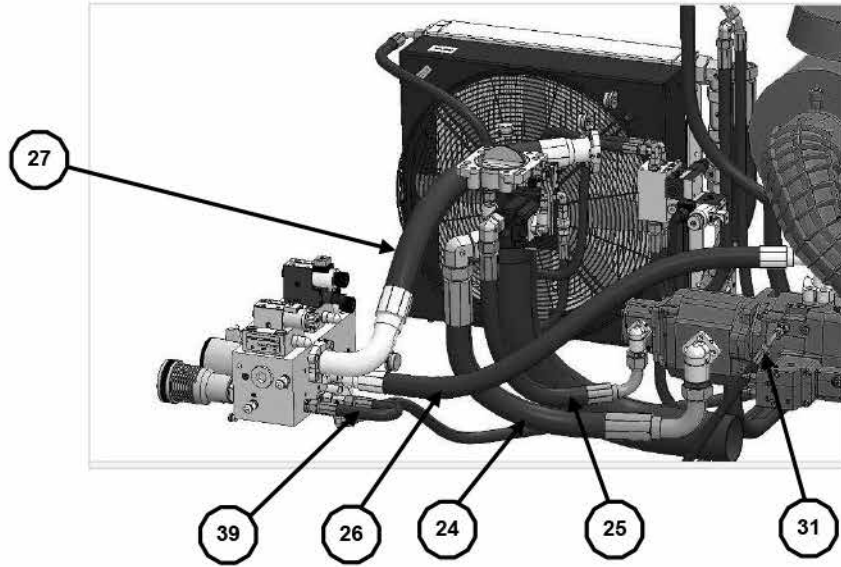
## 5. HYDRAULIC



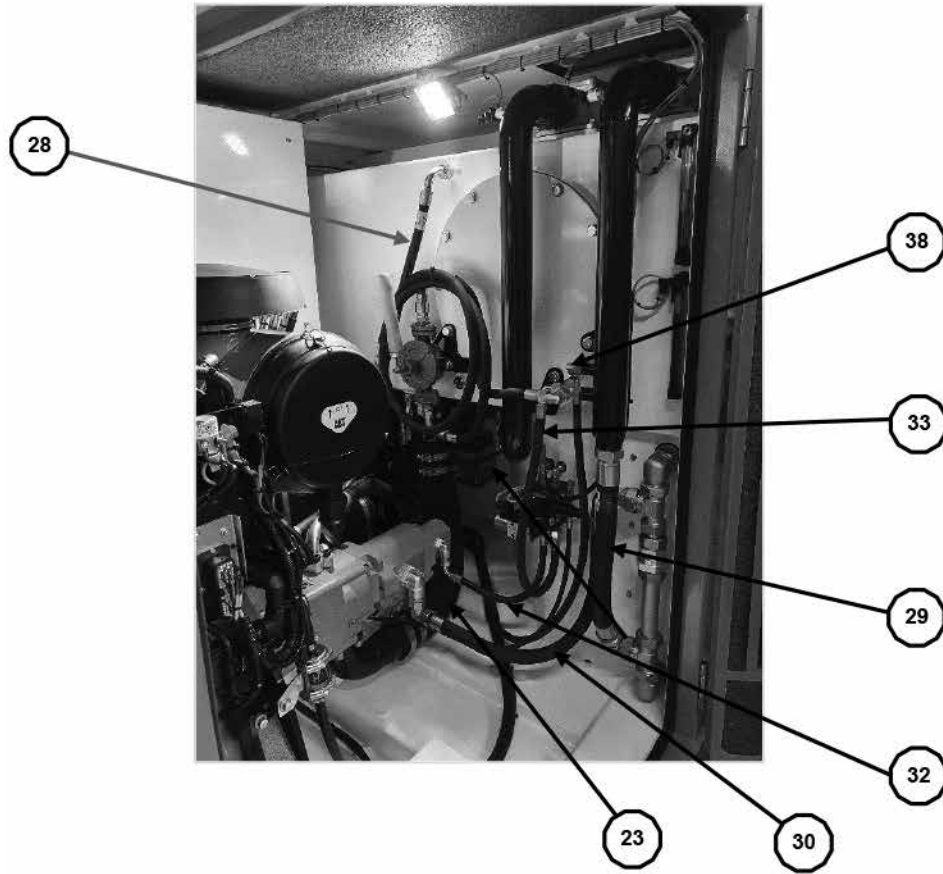
# PARTS MANUAL V-250



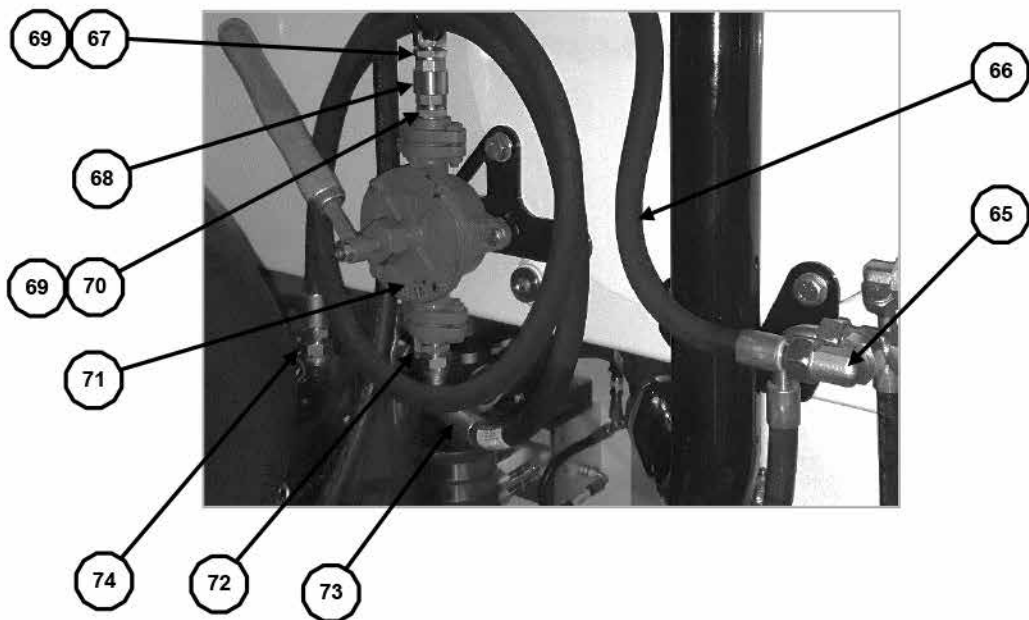
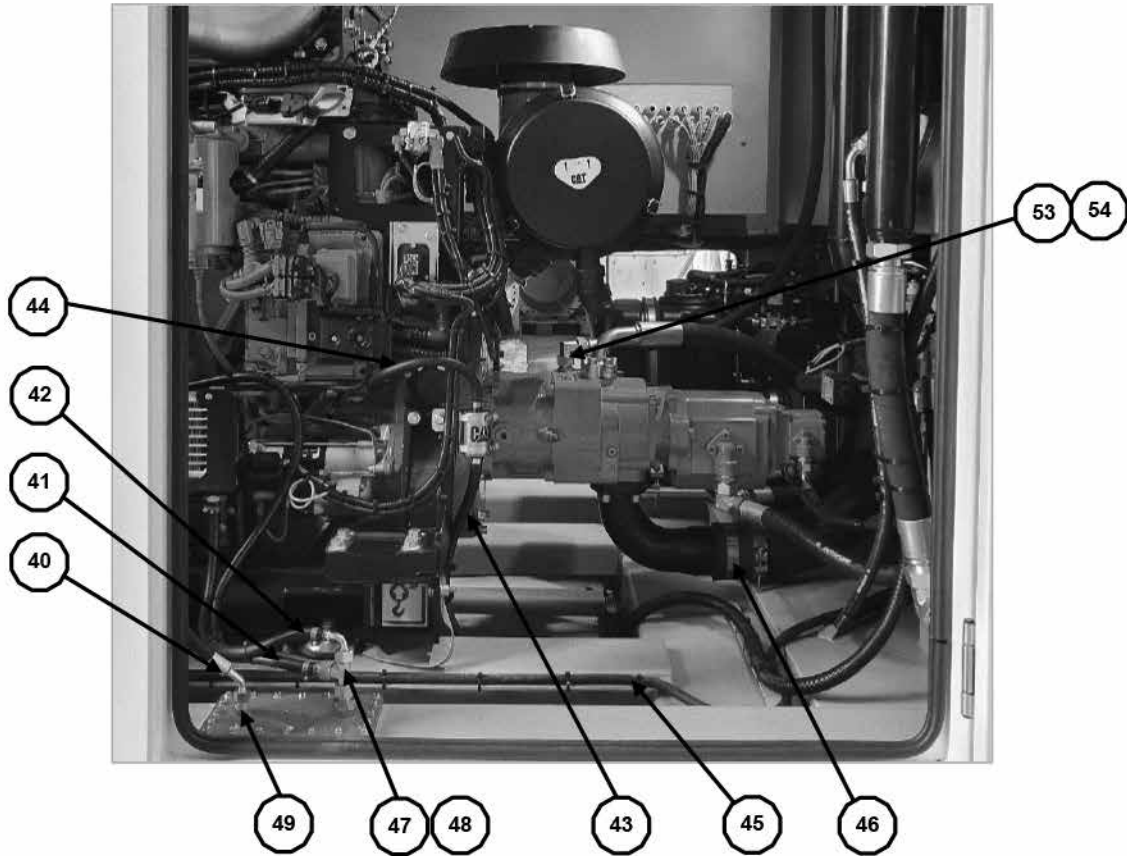
# PARTS MANUAL V-250



# PARTS MANUAL V-250



# PARTS MANUAL V-250



# PARTS MANUAL V-250

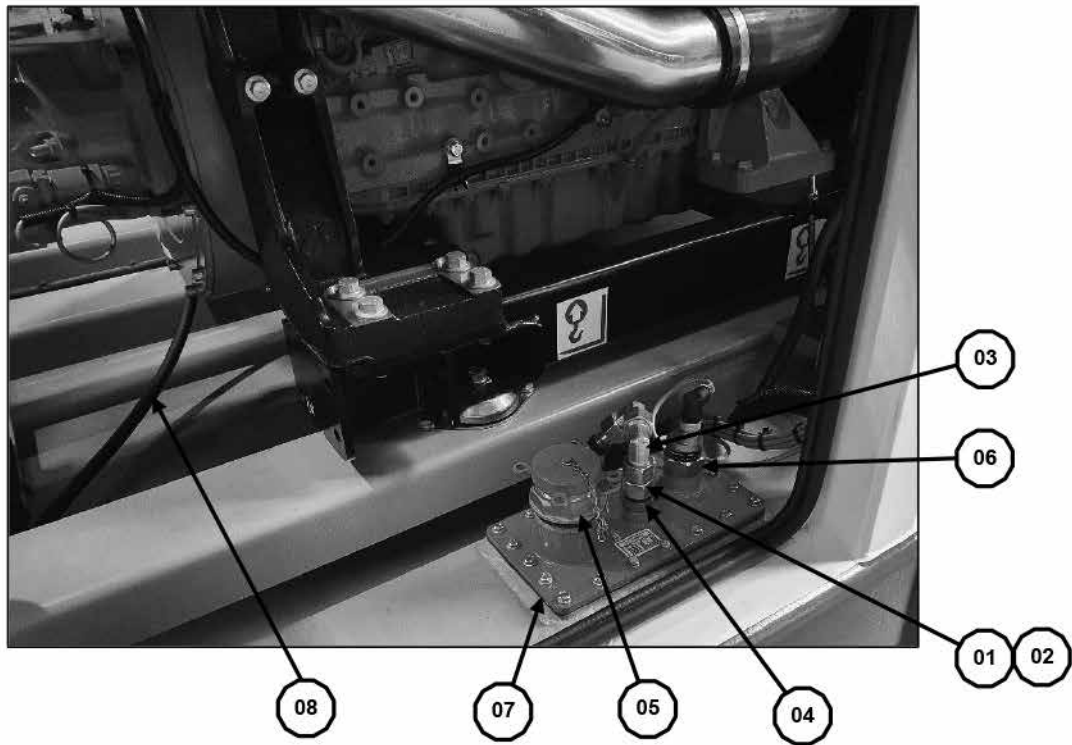
Item	QTY	Description	Part no.
01	1	Main pump	1000101
02	1	Cool pump set	1000102
03	1	Pump coupler flange	1000143
04	1	Coupler spline Hub	1000192
05	1	Coupler	1000144
06	1	Quick disconnect Female	1000220
07	1	Dust cap quick disconnect	1000224
08	1	Double ended fitting 11/2"	1000226
09	1	Quick disconnect Male	1000221
10	1	Dust plug quick disconnect	1000223
11	2	GE15LREDO MD	1000205
12	1	EL15LO MD	1000214
13	1	EW15LO MD	1000213
14	2	Split flange	1000188
15	2	Split flange	1000186
16	1	VST11/2" ED	1000222
17	1	Drive manifold	1000154
18	1	Cooler return filter	1000148
19	1	Filter element	1000194
20	1	Main return filter	1000147
21	1	Filter element	1000193
22	1	Breather	1000227
23	1	Hose Dn 100 -- L=810	1000348
24	1	Hose 11/2" 2SN-42L-42L90 L=810	1000349
25	1	Hose 1" 2SC-28L-28L90 L=630	1000350
26	1	Hose 11/4" R15-11/4" SAE6-11/4"90SAE6 L=1120	1000351
27	1	Hose 2" 2SN-2" SAE3-2"90SAE3 L=890	1000352
28	1	Hose 3/4" 2SC-22L-22L90 L=1340	1000353
29	1	Hose 11/2" 2SN-42L-42L L=540	1000354
30	1	Hose 1" 2SC-28L-28L90 L=830	1000355
31	1	Hose 1/4" 2SC-12L-12L90 L=1200	1000356
32	1	Hose 1/2" 2SC-15L-15L90 L=500	1000357
33	1	Hose 5/8" 2SC-18L-18L L=830	1000358
34	1	Hose 3/8" 2SC-12L-12L L=430	1000359
35	1	Hose 1/2" 2SC-15L-15L L=650	1000360
36	1	Hose 3/8" 2SC-12L-12L L=553	1000361
37	1	Hose 3/8" 2SC-12L-12L90 L=460	1000362
38	1	Hose 1/2" 2SC-15L-15L45 L=2000	1000363
39	1	Hose 1/2" 2SC-15L-15L L=440	1000364
40	1	Hose 3/8" 2SC-12L-12L45 L=895	1000365
41	1	Hose 3/8" Fuel hose--15L L=1545(order by length per mtr)	1000424
42	1	Hose 3/8" Fuel hose--15L90 L=560(order by length per mtr)	1000424
43	1	Hose 1/2" Fuel hose--15L90 L=2000(order by length per mtr)	1000426
44	1	Hose 1/2" Fuel hose--- L=400(order by length per mtr)	1000426



# PARTS MANUAL V-250

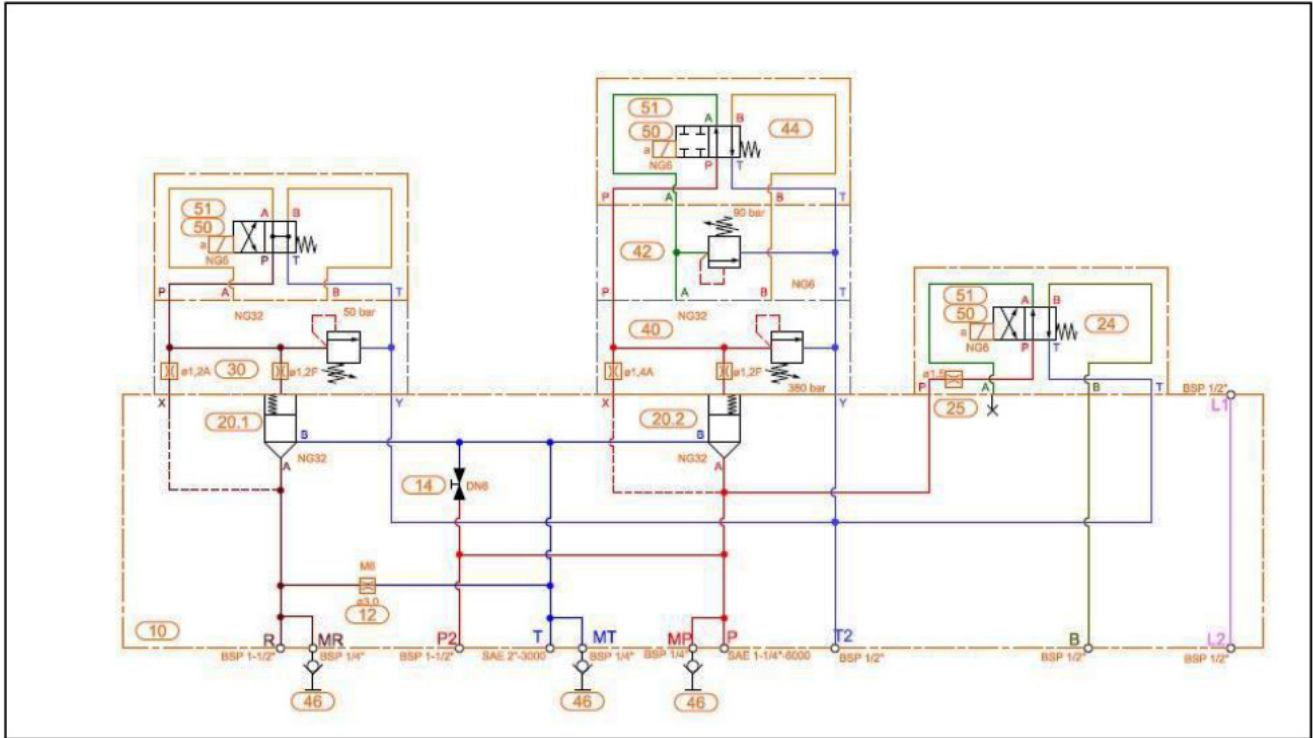
Item	QTY	Description	Part no.
45	1	Radiator hose (order by length per mtr)	1000368
46	4	Hose clamp heavy SS	1000316
47	1	EL15LOMDCF	1000214
48	1	GE15LR3/4EDOMDCF	1000431
49	1	GE12LR1/4EDOMDCF	1000208
50	1	RHD42L+5bar spring	1000168
51	1	GZ42L	1000171
52	2	Level gauge incl. switch	1000420
53	1	GE22LM26x1ED	1000280
54	1	EW22LOMD	1000189
55	2	EL12LOMD	1000209
56	1	EW12LOMD	1000203
57	1	RHD12LOMD	1000210
58	2	ELBOW	1000160
59	2	GE12LR1/2EDOMD	1000178
60	1	SVE15LR1/2OMD	1000591
61	2	GE42LR11/2EDOMD	1000167
62	1	EL42LOMDCF	1000170
63	4	ED11/2	1000225
64	1	Check valve+ direction plate	1000198
65	1	EW18LOMD	1000207
66	1	Hose 5/8" 2SC-18L-18L90 L=700	1000586
67	1	GE18LR3/4EDOMD (modified)	1000494
68	1	Check valve 0.5 bar	1000585
69	2	ED3/4	1000598
70	2	12HMK4	1000599
71	1	K1 Manual pump	1000575
72	1	Hose 3/4" BPS - 3/4 BSPM 90 F L= 2500	1000587
73	1	12FNMK4	1000600

# PARTS MANUAL V-250



Item	QTY	Description	Part no.
01	2	S15L	1000434
02	2	M15L	1000433
03	1	W15L	1000432
04	1	GE15LR3/4EDOMD (drill the fitting with 15mmThru)	1000431
05	1	Fuel Filler Cap	1000241
06	1	Fuel Level Sensor	1000239
07	2	Fuel Hatch gasket	1000146
08	1	Hose 1/2" Fuel hose--15L90 L=2000(order by length per mtr)	1000426

# PARTS MANUAL V-250

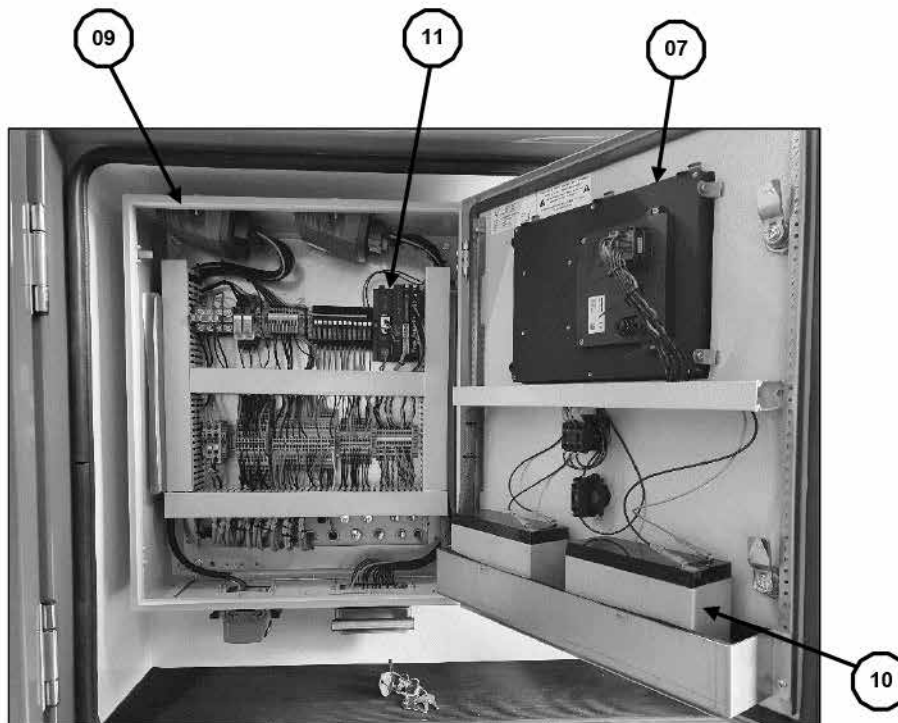
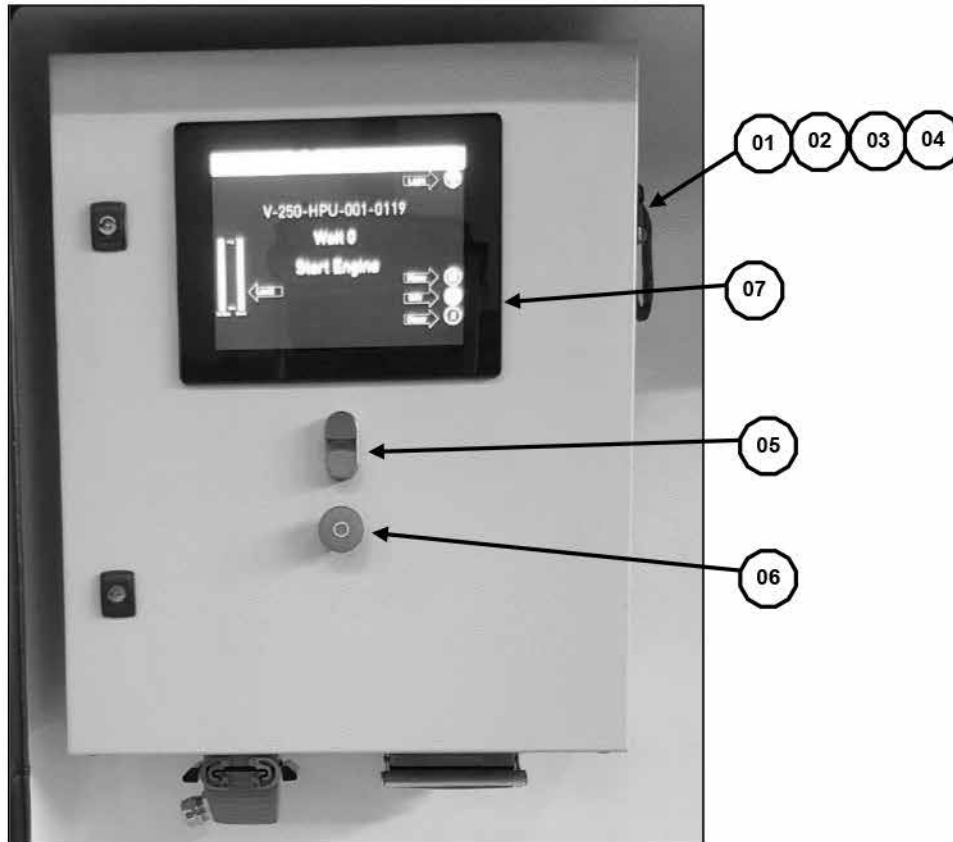


## Hydraulic Assembly

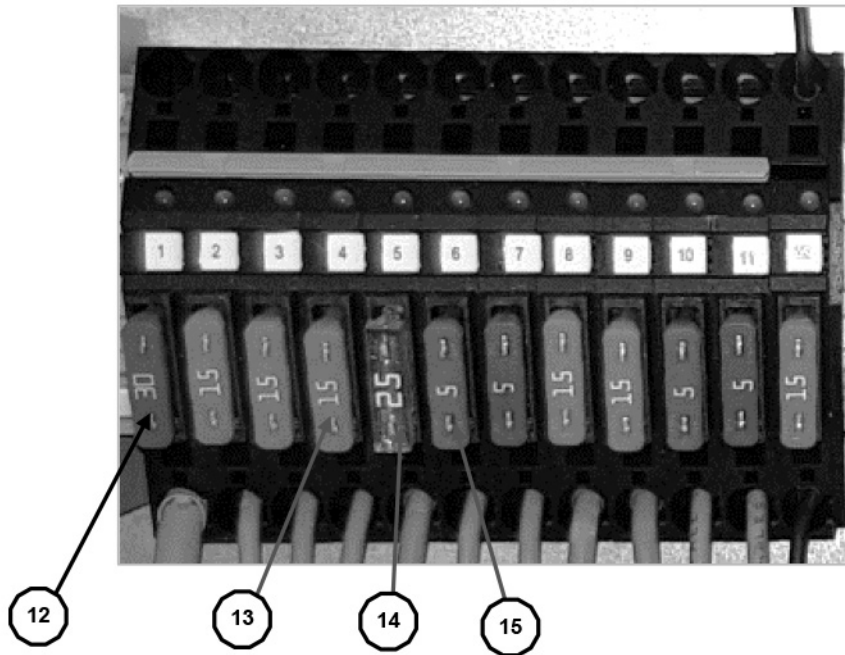
Item	QTY	Description	Part no.
10	1	Base manifold	1000145-3165-7492-001K-revA
12	1	Orifice	1000145-3165-10630
14	1	Ball Valve	1000145-3135-GP200T15011A000
20	2	Cartridge Complete	1000145-3095-SC-LI-32312
24	1	4/2 Solenoid valve	1000145-3080-DHE-0631/2-00-DC
25	1	Orifice	1000145-3080-Plug-H-15F
30	1	Cartridge Cover	1000145-3095-LIMHA-3/100-EX-24DC
40	1	Cartridge Cover	1000145-3095-LIMHA-3/420-EPX-24DC
42	1	Relief valve	1000145-3080-HM-013/100
44	1	4/2 Solenoid valve	1000145-3080-DHE-0671-00-DC
46	3	Test point	1000145-3240-101604
50	3	Coil 24Vdc	1000145-3080-DHE-SP-COE-24DC
51	3	Connector	1000314

# PARTS MANUAL V-250

## 6. CONTROL PANEL



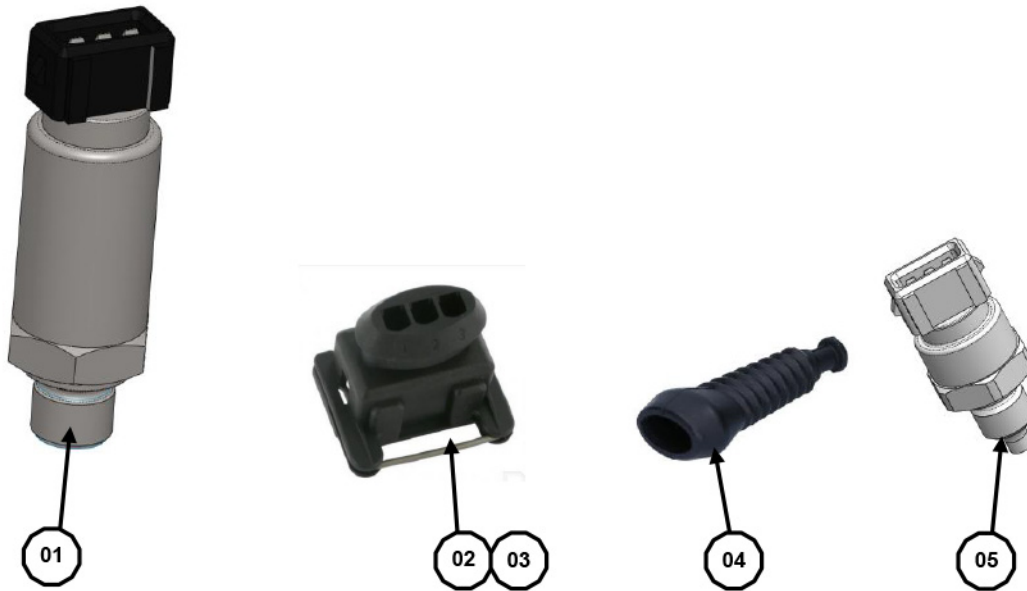
# PARTS MANUAL V-250



Control panel				
Item	QTY	Description	Part no.	
01	1	Bluetooth Modem	1000255	
02	1	Modem connector	1000256	
03	2	Pin-female	1000455	
04	1	Connector wedge	1000259	
05	1	Push button	1000287-60PS3	
06	1	Emergency stop button	1000287-20S18	
07	1	MD4 HMI	1000252	
08	1	Key		
09	2	Expansion module	1000253	
10	2	Backup battery	1000456	
11	1	Can-Current module	1000457	
12	1	Fuse 30A		
13	6	Fuse 15A		
14	1	Fuse 25A		
15	4	Fuse 5A		

\* For detail control panel parts see the electrical diagram

## 7. ELECTRICAL

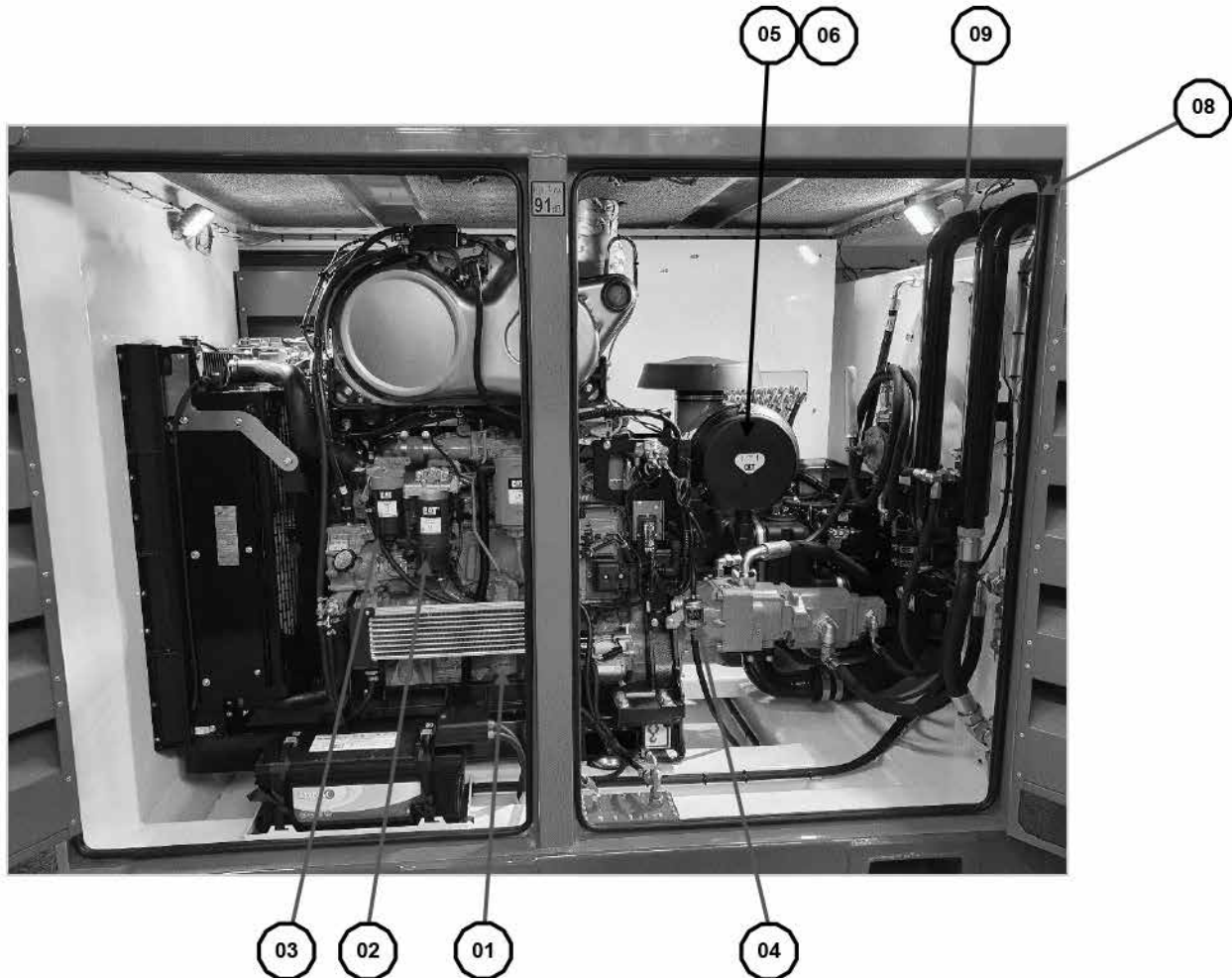


Electrical				
Item	QTY	Description	Part no.	
01	2	Pressure sensor 500 bar	1000265	
01	2	Pressure sensor 35 bar	1000266	
02	5	Connector 3 Pin	1000554	
03	15	Connector pin	1000555	
04	5	Protective sleeve	1000556	
05	1	Temperature sensor	1000201	

# PARTS MANUAL V-250

## 8. DIESEL HAMMER

For spare parts we refer to the caterpillar Operation and Maintenance Manual C7.1 industrial manual.  
**M0103065-6J6 1-UP (engine)1**



Service set every 500 Hrs			
Item	QTY	Description	Part no.
01	1	Oil filter element	1000467
02	1	Primary fuel filter / water separator element	1000468
03	1	Secondary fuel filter element	1000469
04	1	In line fuel filter	1000470
05	1	Air cleaner primary element	1000471
06	1	Air cleaner secondary element	1000472
07	1	CAT DEO ULS engine oil (ultra-low sulphur) - 20 l	1000381
08	1	Primary hydraulic return filter element	1000194
09	1	Secondary hydraulic return filter element	1000193