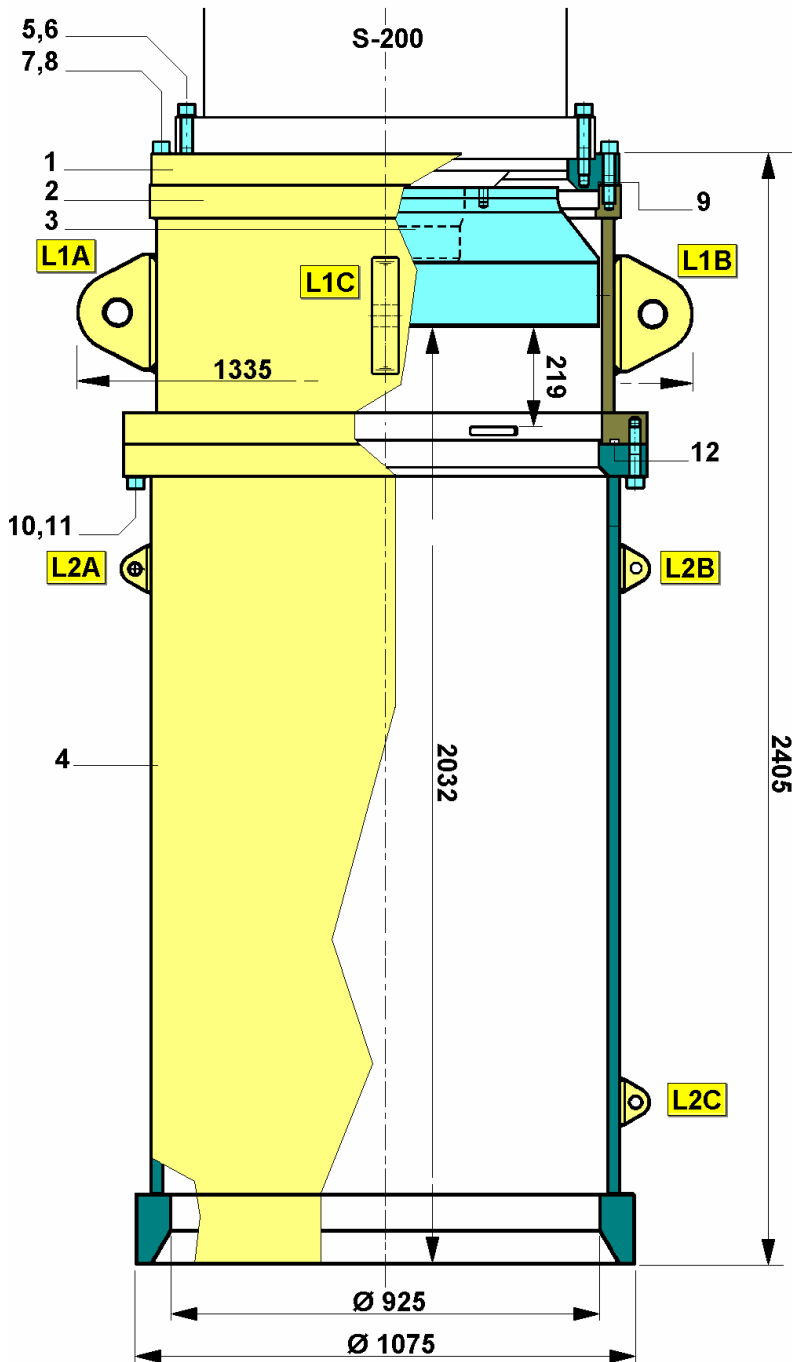




APPLICATION: Hydrohammer®, type S-200

Code no. 86 20 07 00



86 20 07 00 SLEEVE S-200.bmp

**Weights**

- Connecting ring	171 kg
- Anvil housing	522 kg
- Anvil	1470 kg
- Pile guiding	1380 kg
<b>Total:</b>	<b>3543 kg</b>

**Measures**

Overall length	2405 mm
Overall width	1335 mm
Stick-up length	2032 mm

Lifting eyes	WLL	hole diam.	thick ness
Working Load Limit			
- L1A/B/C	25 tons	Ø 54 mm	45 mm
- L2A/B/C	6,5 tons	Ø 27 mm	30 mm

Pos.	Q'ty	Description	IHC Code no.
1	1	Connecting ring.....	86 20 07 03
2	1	Anvil housing.....	86 20 07 01
3	1	Anvil .....	86 11 01 03
4	1	Pile guiding .....	86 20 07 02

*Connecting hammer to connecting ring*

5	40	HV-ring.....	85 10 90 10
		id=Ø26	
6	40	Socket head screw .....	85 20 90 01
		M24x130 (12.9)	

*Connecting connecting ring to anvil housing*

7	24	HV-ring.....	85 10 90 10
		id= Ø26	
8	24	Socket head screw .....	85 15 90 01
		M24x110 (12.9)	
9	1	O-ring.....	85 70 90 23
		915x5	

*Connecting anvil housing to pile guiding*

10	24	HV-ring.....	85 10 90 10
		id= Ø26	
11	24	Socket head screw .....	85 15 90 01
		M24x110 (12.9)	
12	1	O-ring.....	85 30 90 78
		980x7 (L=3075mm)	