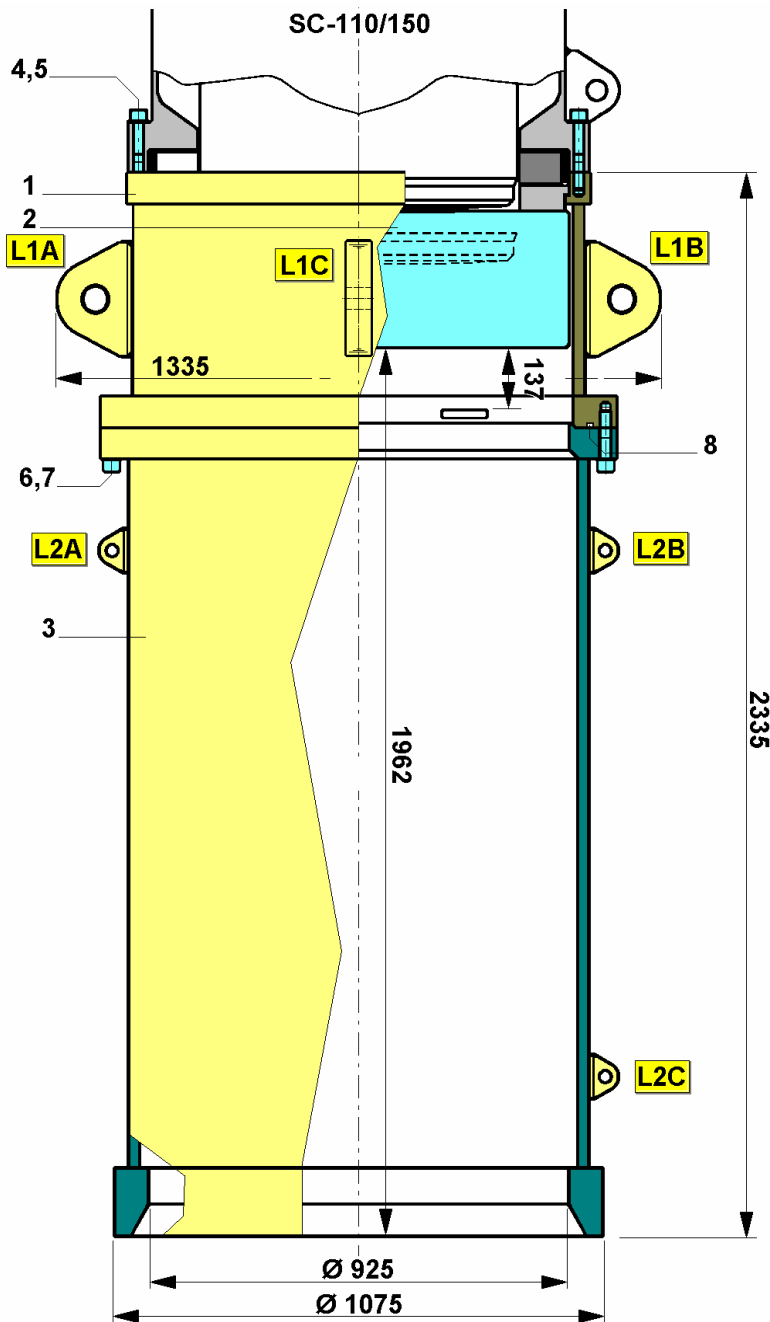




APPLICATION: Hydrohammer®, type SC-110/150 (without buffers)

Code no. 86 20 07 00



**Weights**

|                 |                |
|-----------------|----------------|
| - Anvil housing | 522 kg         |
| - Anvil         | 1625 kg        |
| - Pile guiding  | 1380 kg        |
| <b>Total:</b>   | <b>3527 kg</b> |

**Measures**

|                 |         |
|-----------------|---------|
| Overall length  | 2335 mm |
| Overall width   | 1335 mm |
| Stick-up length | 1962 mm |

| Lifting eyes       | WLL      | hole diam. | thick ness |
|--------------------|----------|------------|------------|
| Working Load Limit |          |            |            |
| - L1A/B/C          | 25 tons  | Ø 54 mm    | 45 mm      |
| - L2A/B/C          | 6,5 tons | Ø 27 mm    | 30 mm      |

| Pos. | Q'ty | Description        | IHC Code no. |
|------|------|--------------------|--------------|
| 1    | 1    | Anvil housing..... | 86 20 07 01  |
| 2    | 1    | Anvil .....        | 86 11 00 22  |
| 3    | 1    | Pile guiding ..... | 86 20 07 02  |

*Connecting hammer to anvil housing*

|   |    |                         |             |
|---|----|-------------------------|-------------|
| 4 | 40 | HV-ring.....            | 85 10 90 10 |
|   |    | id=Ø26                  |             |
| 5 | 40 | Socket head screw ..... | 85 16 90 01 |
|   |    | M24x150 (12.9)          |             |

*Connecting anvil housing to pile guiding*

|   |    |                         |             |
|---|----|-------------------------|-------------|
| 6 | 24 | HV-ring.....            | 85 10 90 10 |
|   |    | id= Ø26                 |             |
| 7 | 24 | Socket head screw ..... | 85 15 90 01 |
|   |    | M24x110 (12.9)          |             |
| 8 | 1  | O-ring.....             | 85 30 90 78 |
|   |    | 980x7 (L=3075mm)        |             |