



PILECO INC.

Parts Manual

Diesel Pile Hammer D100-13

Parts Manual

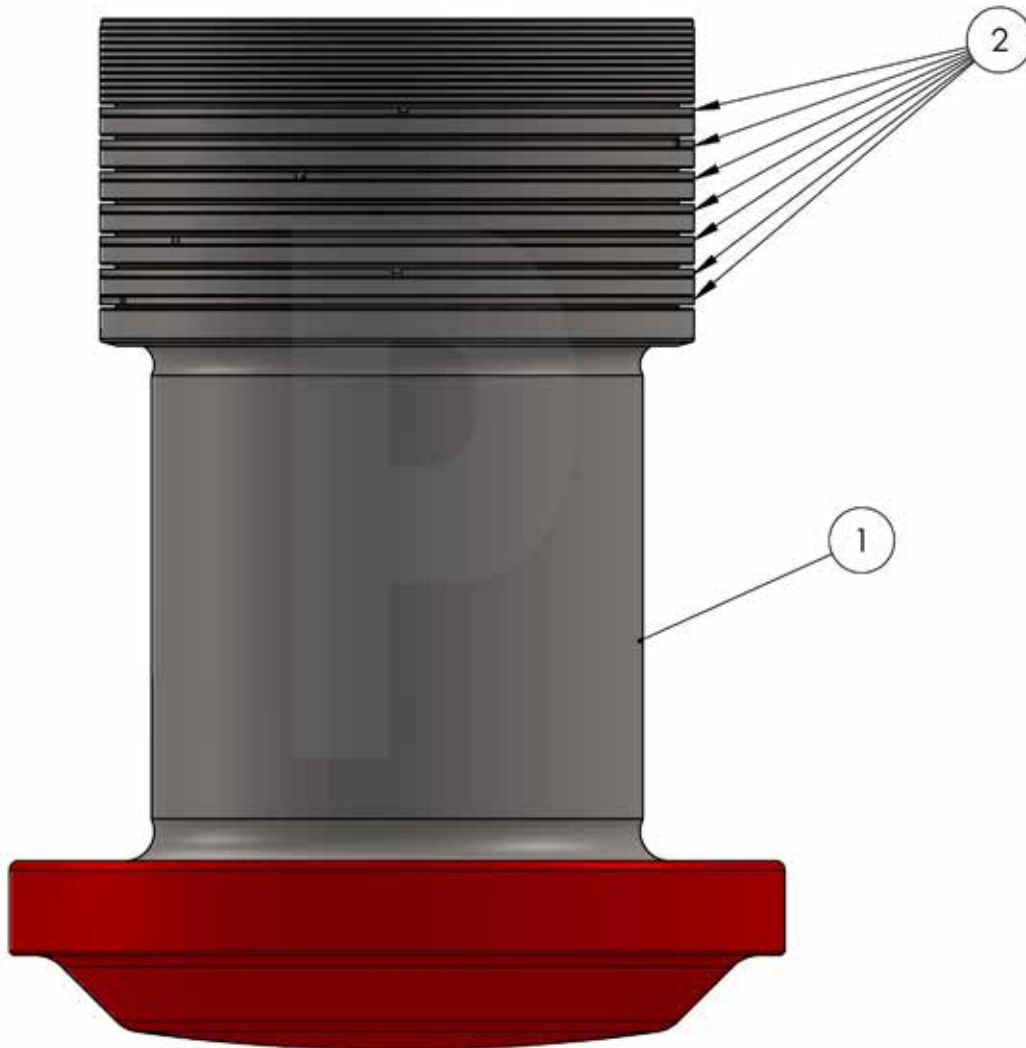




Contents Page

Impact Block	page #3
Striking Weight Piston	page #4
Lower Cylinder Complete	page #5
Lube Pump	page #6-8
Cylinder Complete	page #9
Pressure Valve	page #10
Piston Complete	page #11
Manual Variable Delivery Fuel Pump	page #12-16
Pump Element 35mm	page #17
Stop Valve Complete	page #18
Suction Valve Complete	page #19
Check Non-Return Valve	page #20
Hydraulic Variable Delivery Fuel Pump	page #21-22
Fuel Pump Control	page #23
Fuel Injection Device	page #24-25
Treaded Pipe Joint	page #26
Manual Starting Device—TRIP	page #27-29
Hydraulic Starting Device—TRIP	page #30-33
Hydraulic Cylinder Complete	page #34
Hydraulic Start Cylinder Ring Kit	page #35
Hydraulic Cylinder Assembly	page #36
Counter Balance Valve	page #37
Starter Guides & Pump Guard	page #38
U-48 X 8 Lead Guiding Assembly	page #39

Impact Block Complete



Rotate Rings
120° As
Stacked

*each part number links to web site part

ITEM NO.	PART NUMBER	DESCRIPTION	QTY.
1	108494	IMPACT BLOCK	1
2	21439	PISTON RING	7

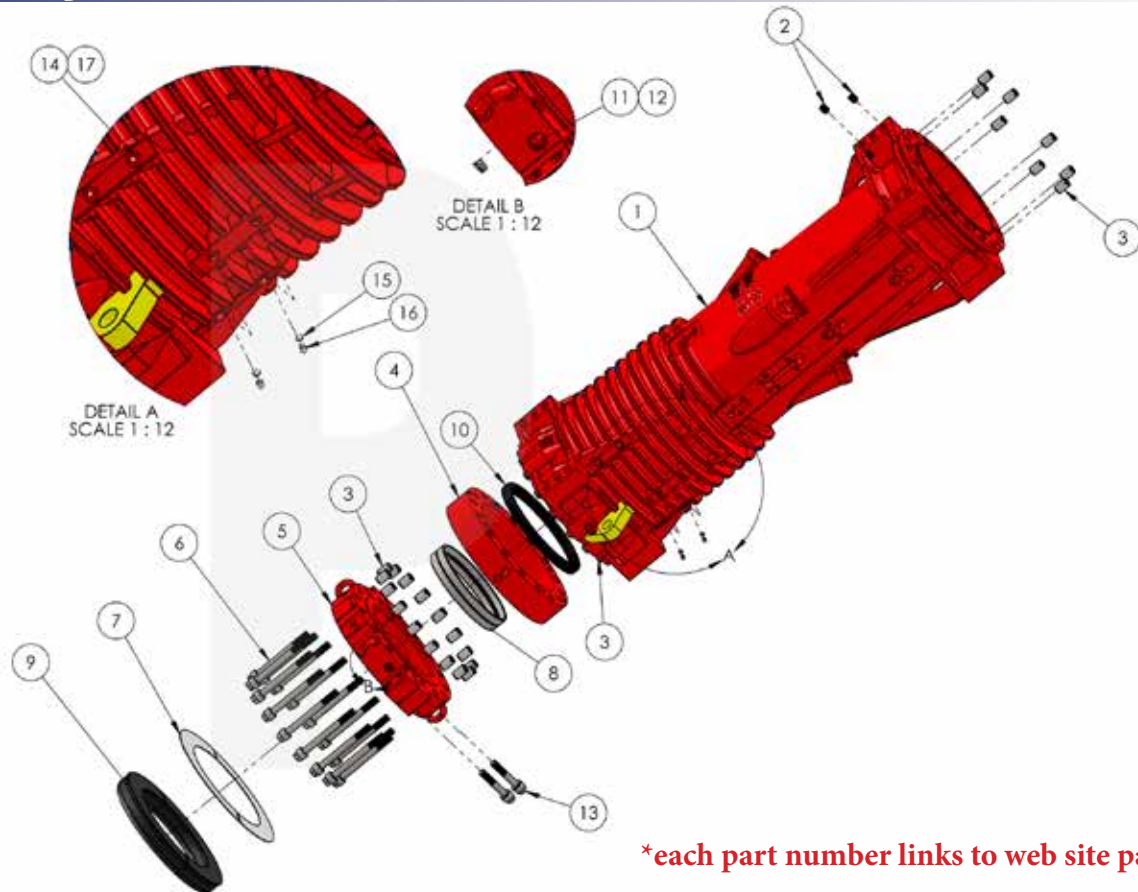
Striking Weight (Piston) Complete



*each part number links to web site part

ITEM NO.	PART NUMBER	DESCRIPTION	QTY.
1	103499	STRIKING WEIGHT(PISTON)	1
2	21439	PISTON RING	7
3	21443	CATCH PISTON RING	1

Rotate Rings
120° As
Stacked

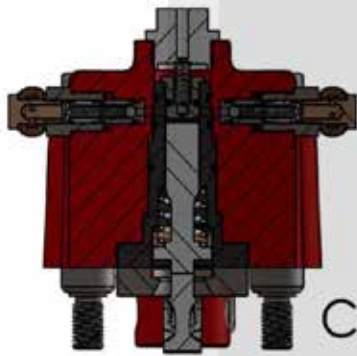
Lower Cylinder Complete


*each part number links to web site part

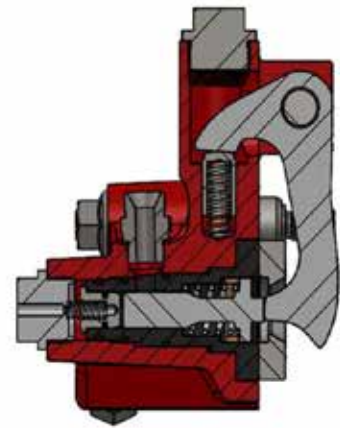
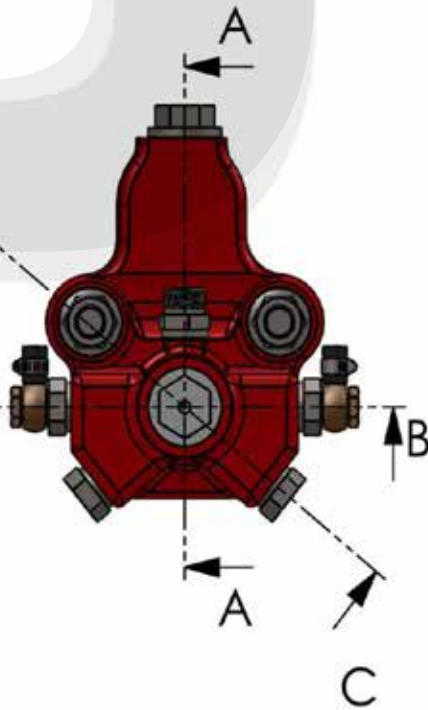
ITEM NO.	PART NUMBER	DESCRIPTION	QTY.
1	109865	D100-13 LOWER CYLINDER	1
2	93233	36M THREADED INSERT	16
3	94281	DOWEL PIN 50 X 80	40
4	122473	D100 DISTANCE RING	1
5	21451	D100 OUTER END RING	1
6	103497	M36 X 370MM HEX BOLT	16
7	207007	RUBBER RING SPACER (2PCS)	1
8	21456	INNER END RING	1
9	21455	RUBBER RING	1
10	21445	RUBBER DAMP RING	1
11	22592	REDUCER	4
12	90791	GREASE NIPPLE M10 X 1	4
13	20038	HEX BOLT M36 X 210	4
14	92031	SEALING RING A20 X 24	8
15	90002	SEALING RING 18 X 22	2
16	91460	M18 X 1.5 DIN 910 HEX PLUG	2
17	92016	M20 X 1.5 HEX PLUG	8



Lube Pump

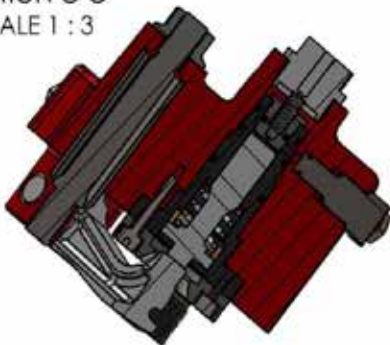


SECTION B-B
SCALE 1 : 3

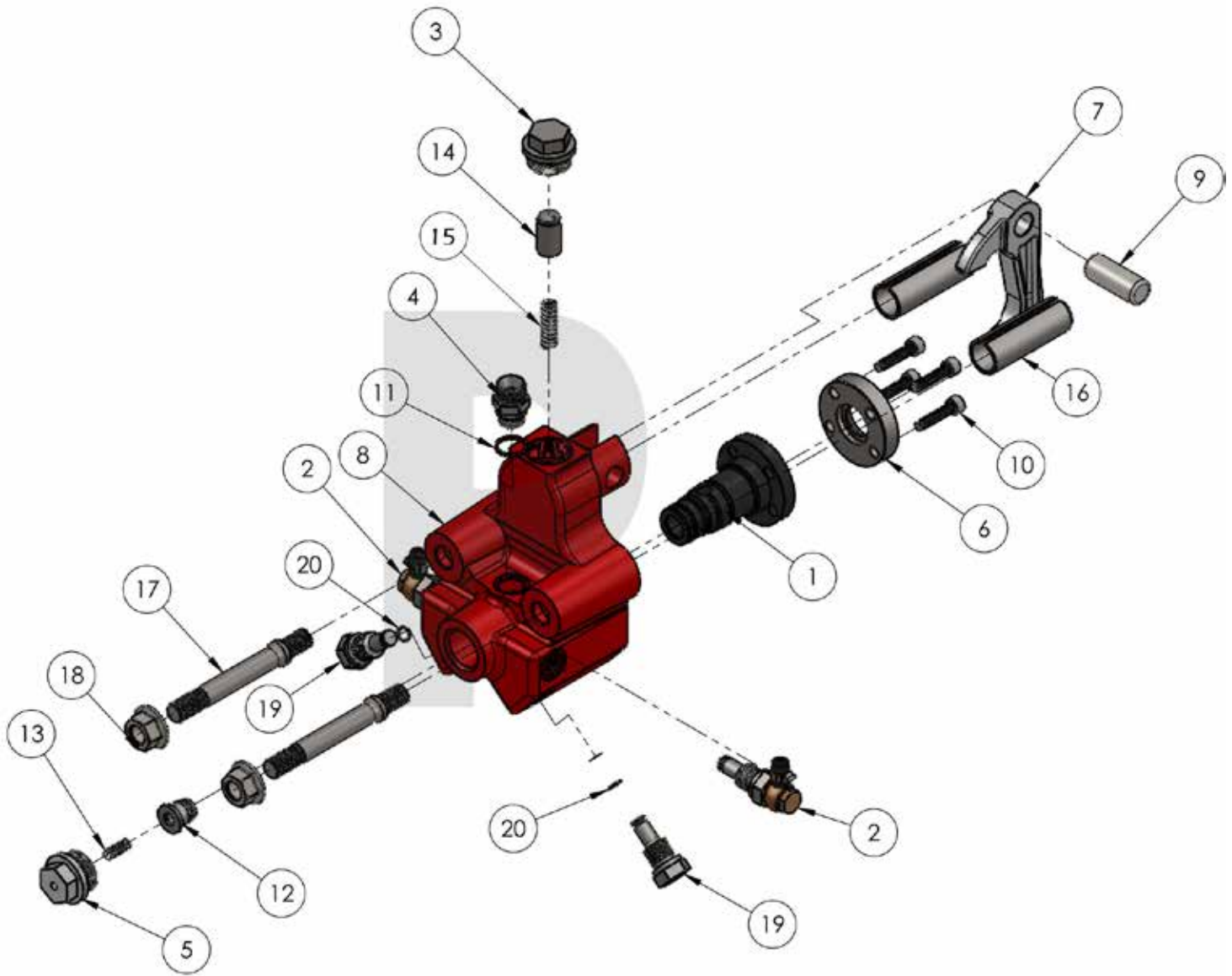


SECTION A-A
SCALE 1 : 3

SECTION C-C
SCALE 1 : 3



**Lube Pump
Complete**

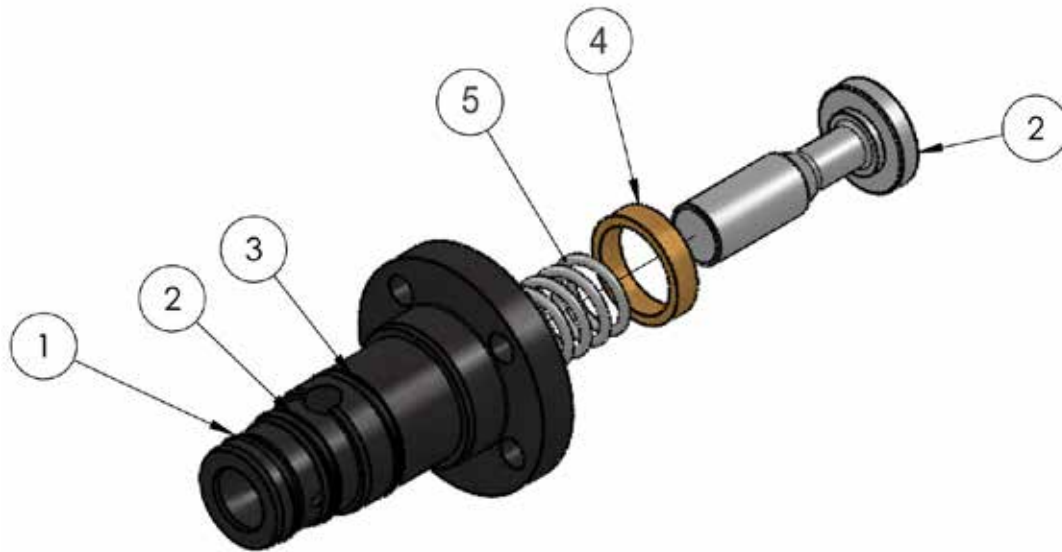


Continued.....

**Lube Pump
Complete**

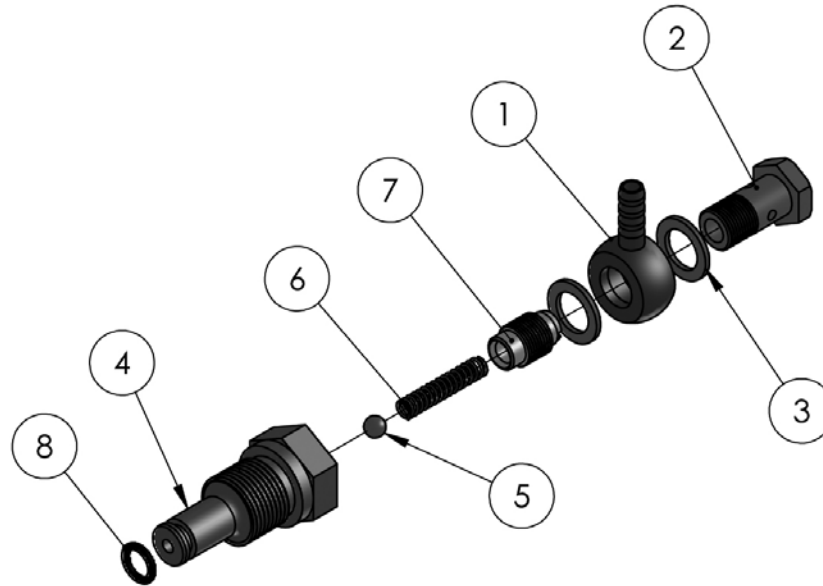
*each part number links to web site part

ITEM NO.	PART NUMBER	DESCRIPTION	QTY.
1	67279	CYLINDER COMPLETE	1
2	108317	PRESSURE VALVE COMPLETE	3
3	91976	PLUG SCREW	1
4	67290	ADAPTER	1
5	108307	PLUG SCREW	1
6	67282	WASHER	1
7	22081	LUBE PUMP LEVER	1
8	108315	LUBE PUMP BODY	1
9	22082	PUMP LEVER PIN	1
10	90937	M8 x 35 DIN 912 8.8	4
11	92031	SEALING RING A20 X 24	1
12	67284	PISTON COMPLETE	1
13	190479	PRESSURE SPRING 7.3 X 29.4 X 1.2	1
14	22090	SLEEVE	1
15	22089	PRESSURE SPRING 10 X 43 X 2	1
16	94315	DOWEL PIN 28 X 80 DIN 7346	2
17	20189	PUMP STUD M16	2
18	94722	M16 WASHER NUT	2
19	108316	PLUG SCREW	1
20	97855	O RING 8 X 2	1

**Cylinder
Complete**


*each part number links to web site part

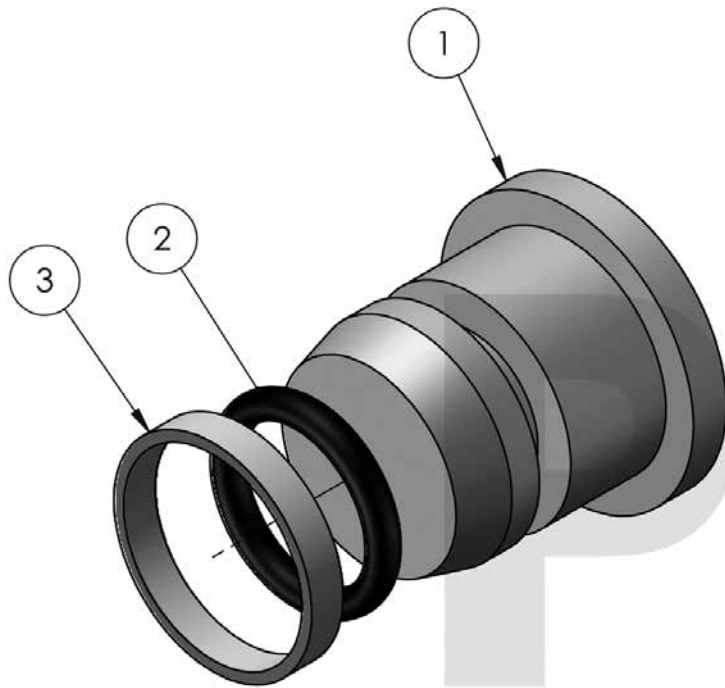
ITEM NO.	PART NUMBER	DESCRIPTION	QTY.
1	205020	O RING 24 X 3	1
2	91357	O RING 26 X 3	1
3	92952	O RING 30 X 3	1
4	67283	RING	1
5	97325	PRESSURE SPRING 22 X 52 X 2, 8	1

**Pressure Valve
Complete**


*each part number links to web site part

ITEM NO.	PART NUMBER	DESCRIPTION	QTY.
1	97949	RING NIPPLE	1
2	97948	HOLLOW SCREW A6 DIN 7623-6.8	1
3	91417	SEALING RING A12 X 15.5 DIN 7603-CU	2
4	108319	ADAPTER	1
5	90307	BALL 6MM DIN 5401	1
6	190005	PRESSURE SPRING 5 X 36 X 0.8	1
7	104679	PLUG SCREW	1
8	97855	8 X 2 O-RING	1

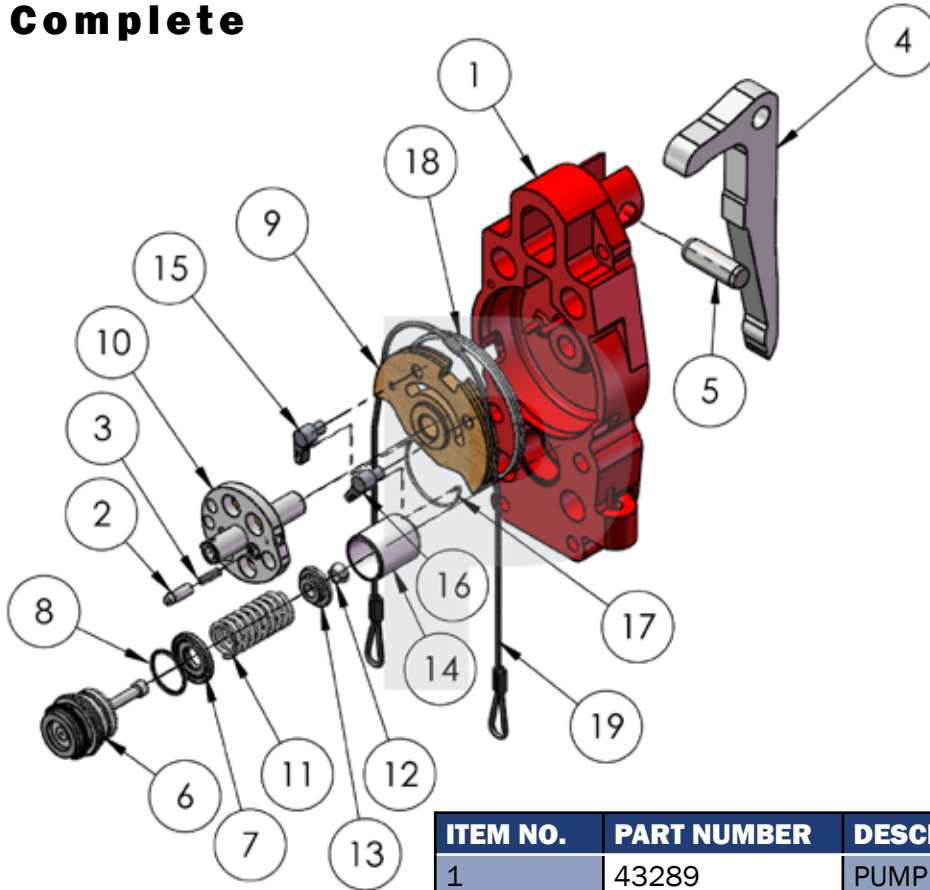
**SOLD
TOGETHER**

**Piston
Complete**


**each part number links to web site part*

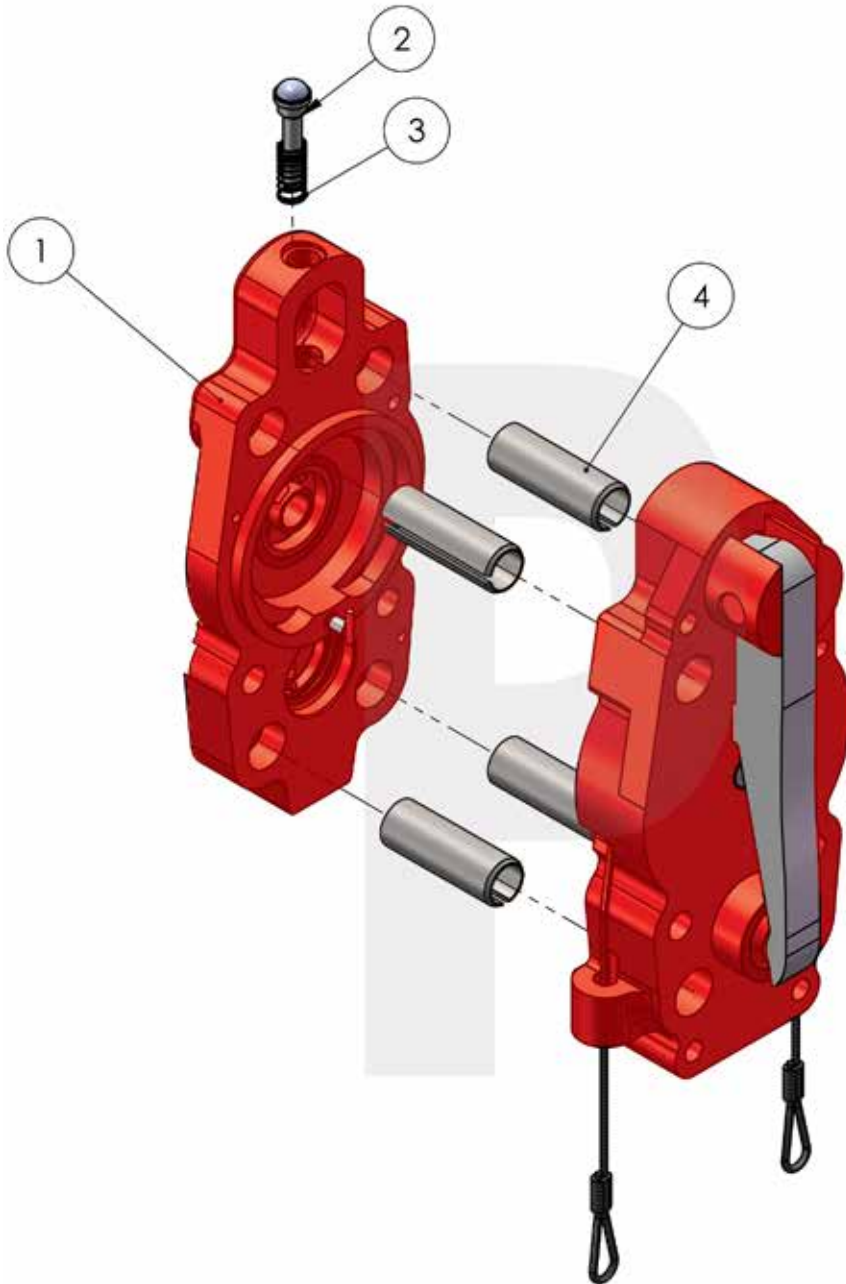
ITEM NO.	PART NUMBER	DESCRIPTION	QTY.
1	67285	PISTON	1
2	97326	O RING	1
3	97326	SLIP RING	1

Manual Variable Delivery Fuel Pump Complete



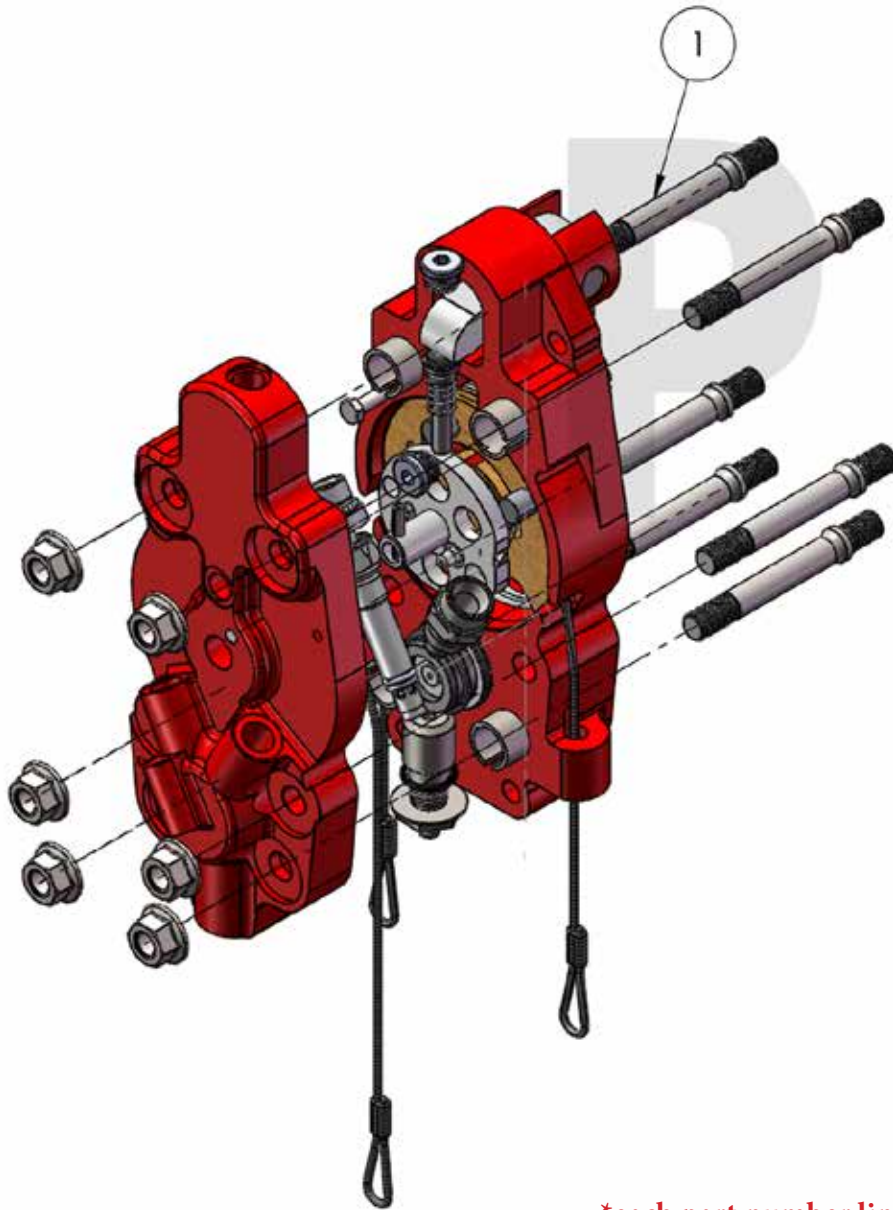
*each part number links to web site part

ITEM NO.	PART NUMBER	DESCRIPTION	QTY.
1	43289	PUMP BODY	1
2	22049	SCREEN PIN	1
3	22044	PRESSURE SPRING 5.5 X 20 X 1.2	1
4	41869	PUMP LEVER	1
5	22043	PUMP LEVER PIN	1
6	14655	D100 PUMP ELEMENT 35MM	1
7	43994	HOLDER RING	1
8	92996	ROUND SEALING RING 35 X 2.5	1
9	22040	ROPE DISC	1
10	43308	SWITCH SHAFT	1
11	22060	PRESSURE SPRING 28 X 67.2 X 3.5	1
12	22059	CONICAL RING 2 PCS	1
13	22058	SPRING RETAINING COLLAR	1
14	43287	GUIDE SLEEVE	1
15	22051	CAM	1
16	22052	CAM	1
17	22245	SPRING	1
18	22062	SWIVEL SPRING	1
19	17546	REGULATION ROPE	1

**Manual Variable Delivery Fuel Pump
Complete**


*each part number links to web site part

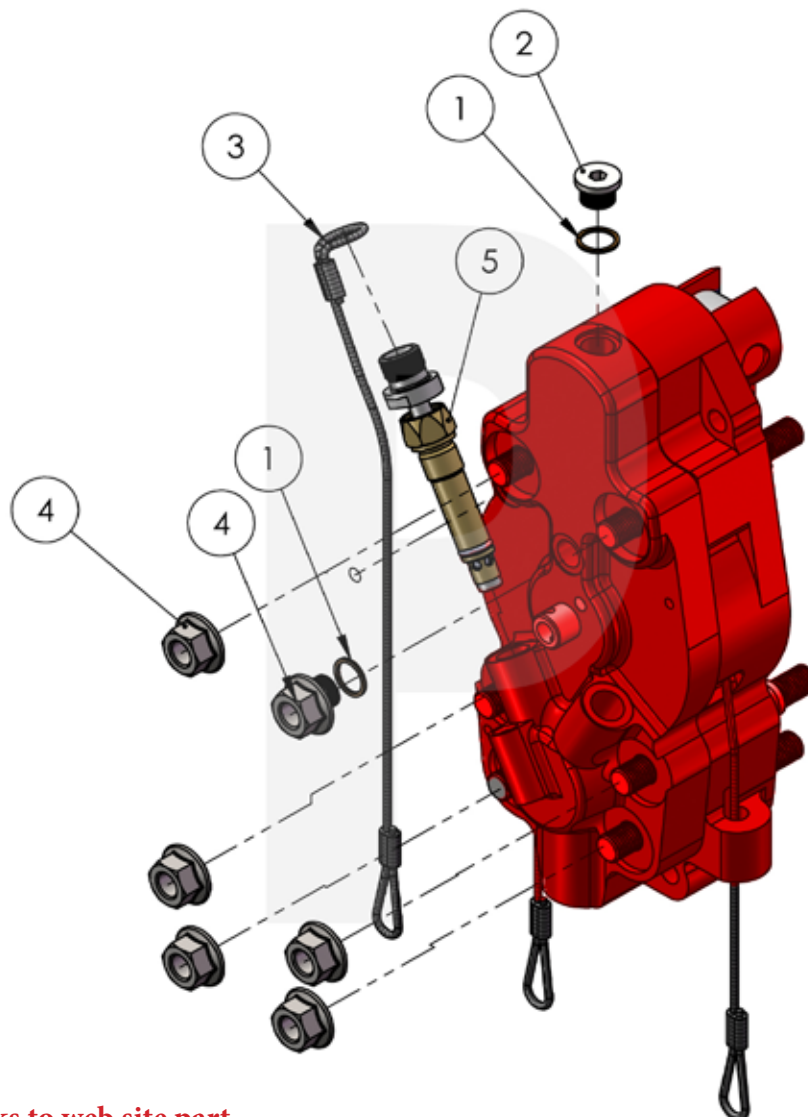
ITEM NO.	PART NUMBER	DESCRIPTION	QTY.
1	43291	PUMP COVER	1
2	62125	PRESSURE PIECE	1
3	22046	PRESSURE SPRING	1
4	94315	DOWEL PIN 28 X 80	4

**Manual Variable Delivery Fuel Pump
Complete**


*each part number links to web site part

ITEM NO.	PART NUMBER	DESCRIPTION	QTY.
1	20189	PUMP STUD M16	6

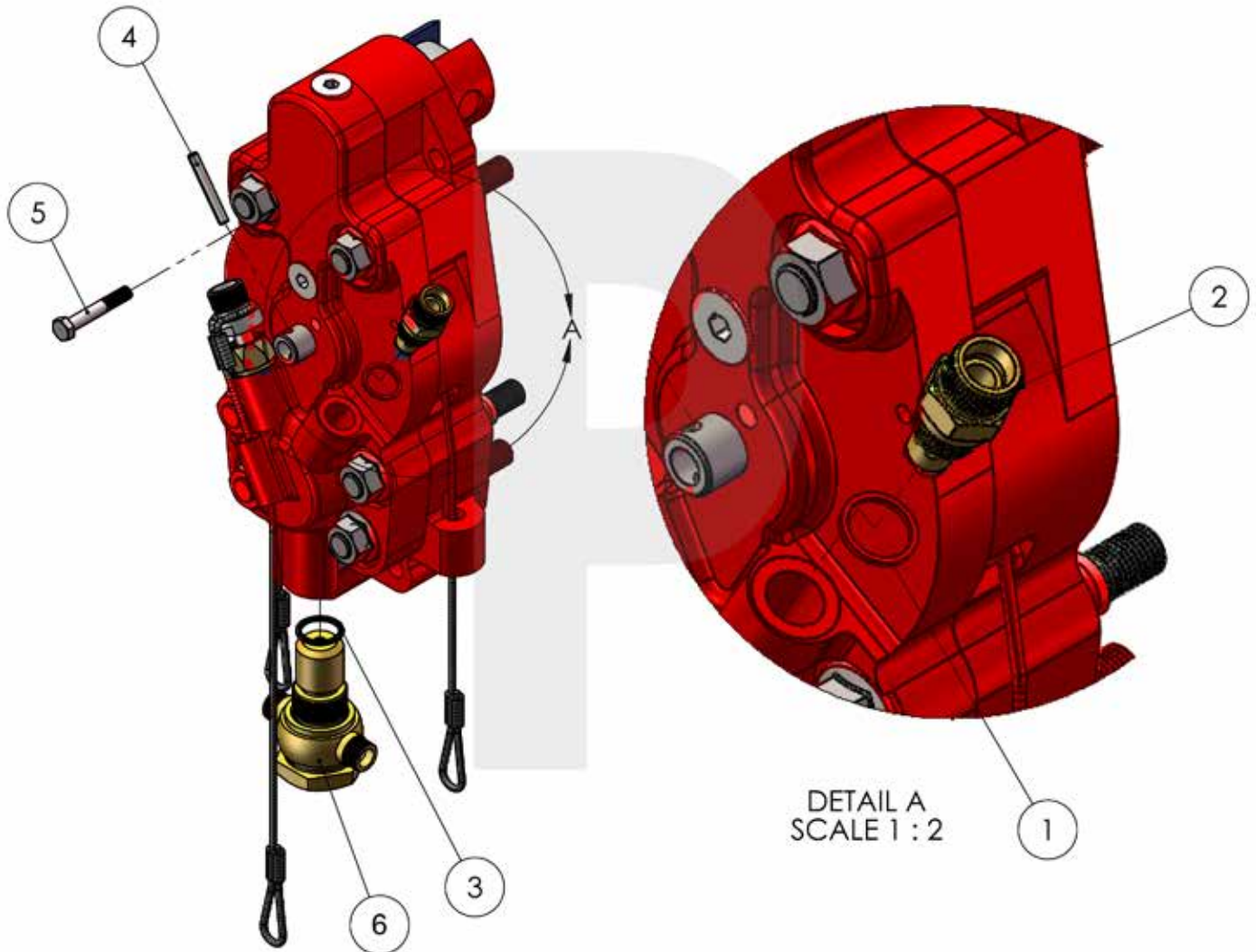
Manual Variable Delivery Fuel Pump Complete



*each part number links to web site part

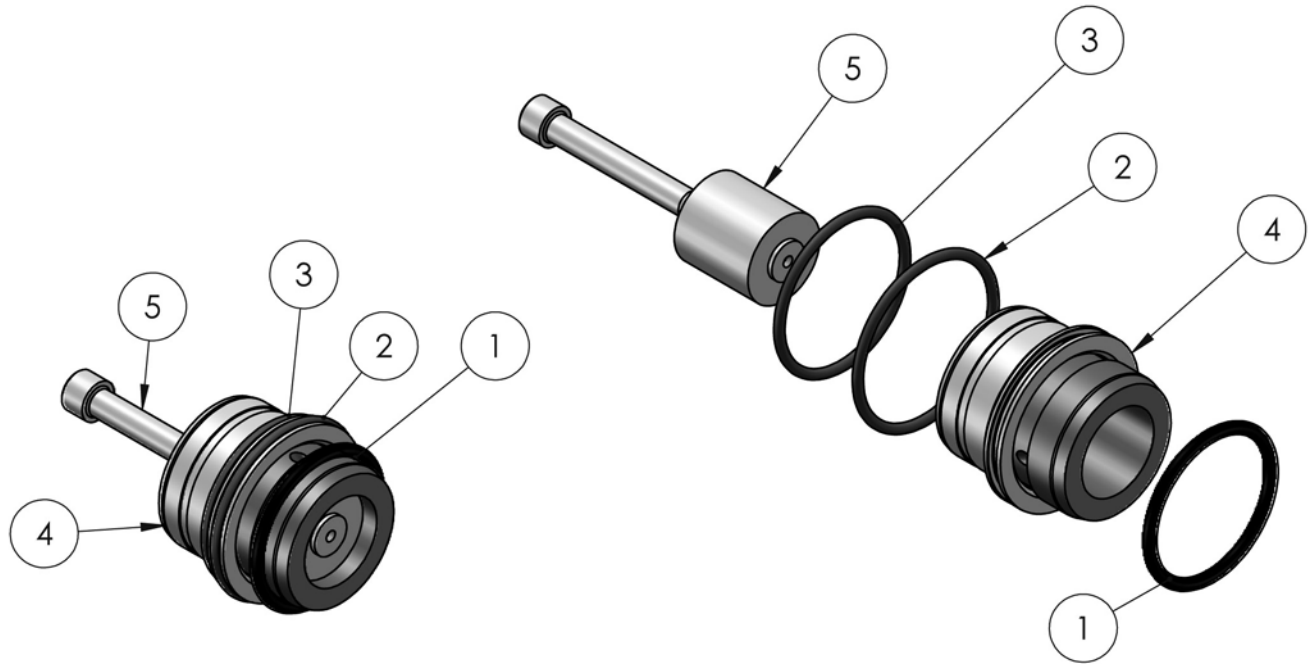
ITEM NO.	PART NUMBER	DESCRIPTION	QTY.
1	90002	SEALING RING A18 X 22	2
2	93055	PLUG SCREW M18 X 1.5	2
3	17546	REGULATING ROPE	1
4	94722	M16 WASHER NUT	6
5	41868	STOP VALVE COMPLETE	1

Manual Variable Delivery Fuel Pump Complete



*each part number links to web site part

ITEM NO.	PART NUMBER	DESCRIPTION	QTY.
1	92031	SEALING RING A20 X 24	1
2	41863	SUCTION VALVE	1
3	91296	O-RING 22 X 3	1
4	90150	DOWEL PIN 6 X 40	1
5	93456	LOCKING SCREW M8 X 50	1
6	60827	CHECK NON-RETURN VAVLE COMPLETE	1

35mm Pump Element


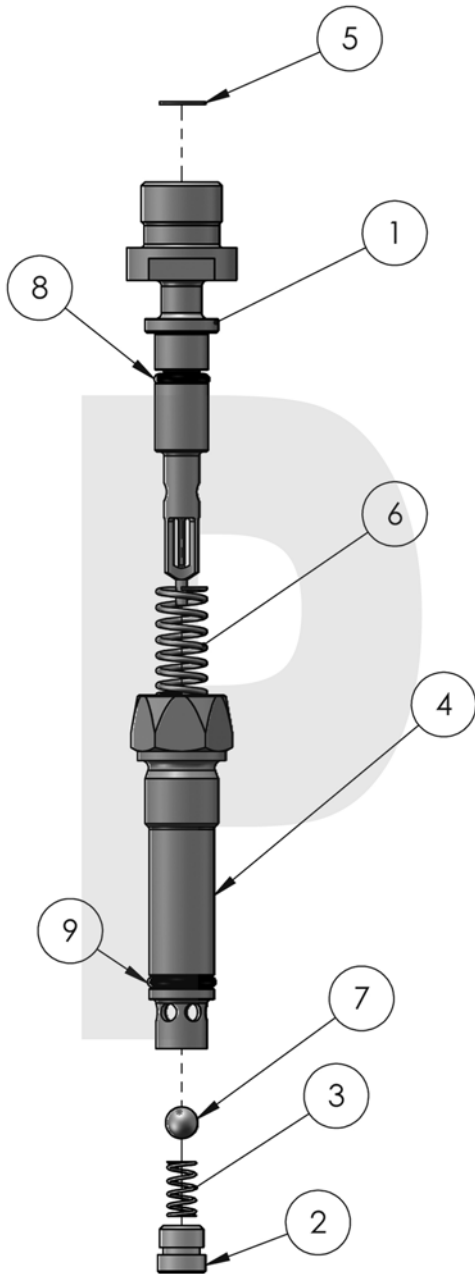
Sold as one complete unit!

***each part number links to web site part**

ITEM NO.	PART NUMBER	DESCRIPTION	QTY.
1	95933	O-RING 42 X 3	1
2	91322	O-RING 44 X 3	1
3	91339	O-RING 40 X 2.5	1
4	14655	35MM ELEMENT BODY	1
5	14655	35MM ELEMENT PLUNGER	1

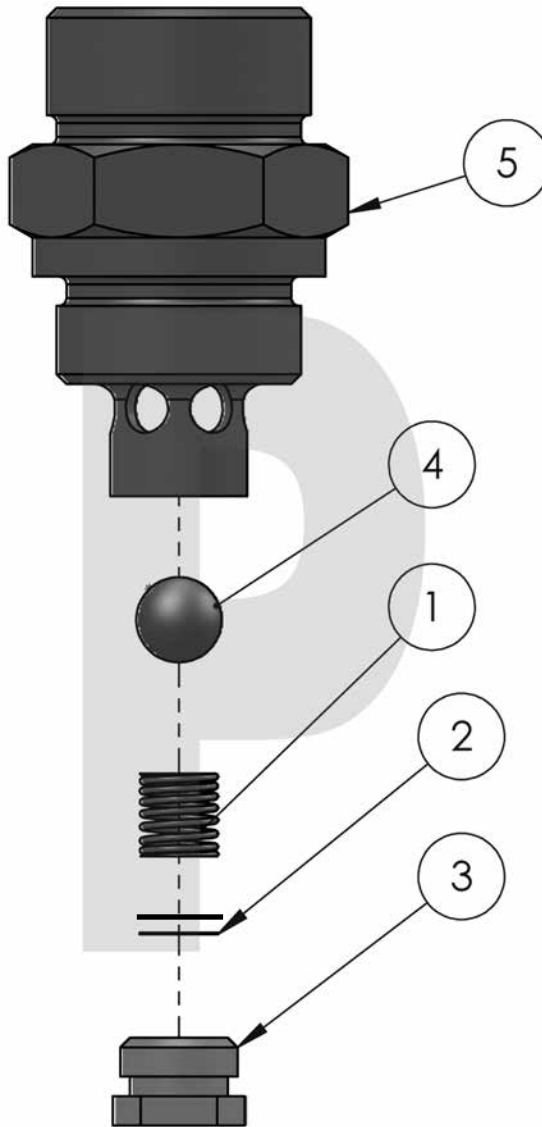
TOGETHER

Stop Valve Complete



**each part number links to web site part*

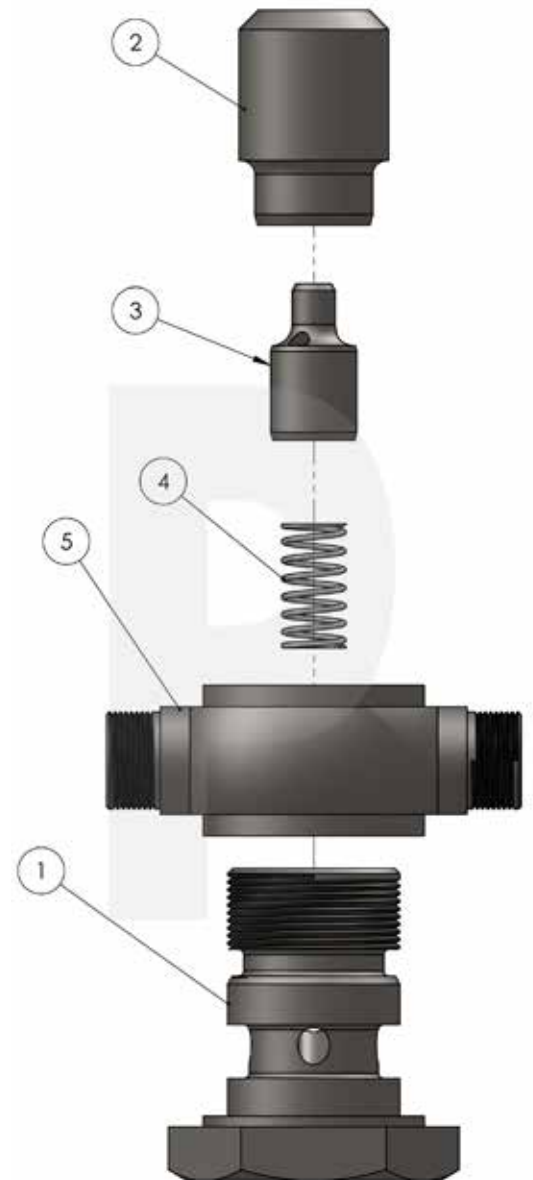
ITEM NO.	PART NUMBER	DESCRIPTION	QTY.
1	43138	VALVE PISTON	1
2	22021	THREADED PLUG	1
3	98929	PRESSURE SPRING	1
4	43130	VALVE SCREW	1
5	95768	CIRCLIP 20 X 1	1
6	43279	PRESSURE SPRING	1
7	98511	BALL 8.731MM	1
8	91894	O-RING 8 X 3	1
9	94316	O-RING 12 X 3	1

**Suction Valve
Complete**


**each part number links to web site part*

ITEM NO.	PART NUMBER	DESCRIPTION	QTY.
1	22022	PRESSURE SPRING 7.3 X 8 X 0.7	1
2	22023	WASHER	2
3	41862	THREADED PLUG	1
4	98511	BALL 8.731MM	1
5	41861	SLEEVE	1

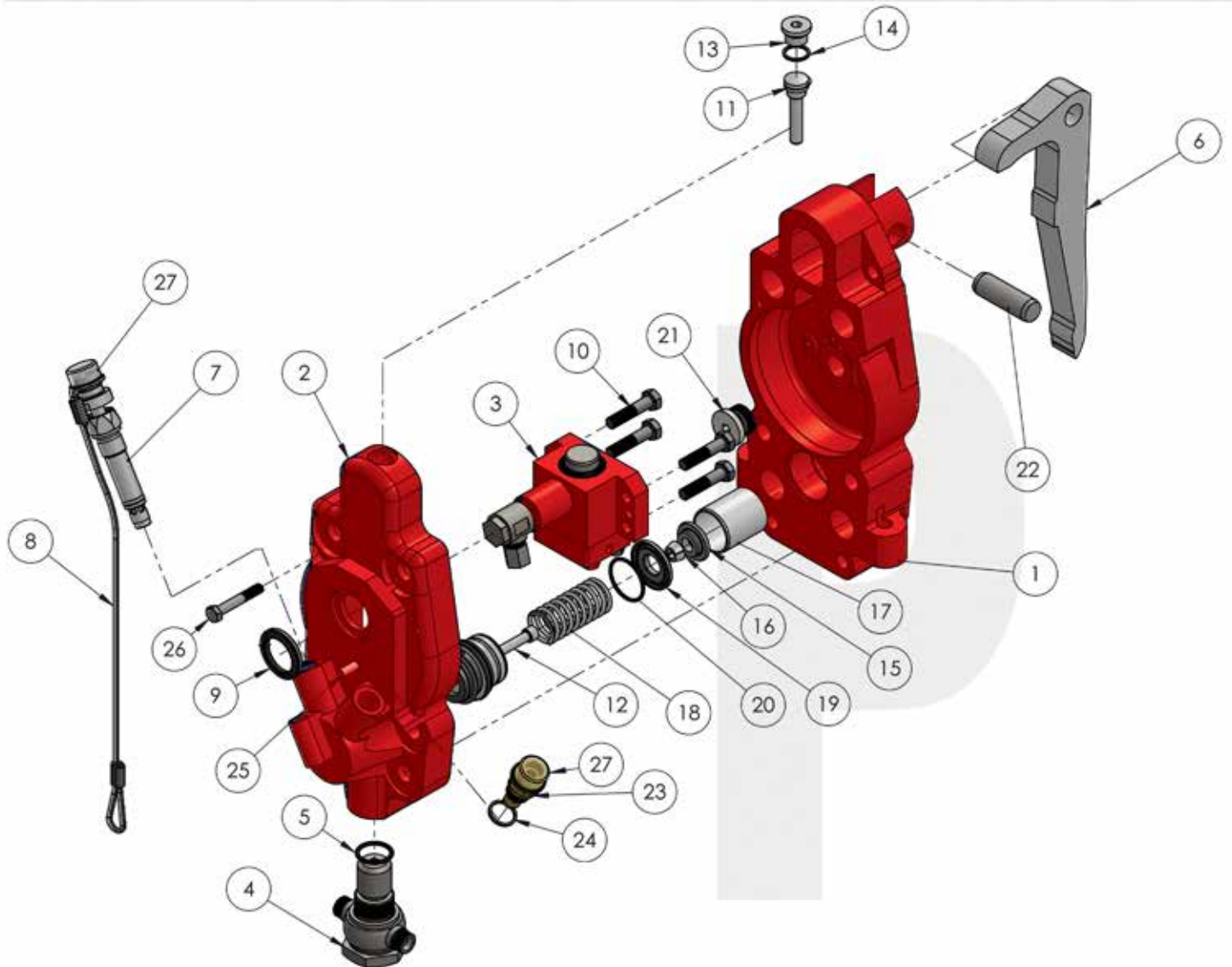
Check Non-Return Valve Complete



**each part number links to web site part*

ITEM NO.	PART NUMBER	DESCRIPTION	QTY.
1	60194	HOLLOW SCREW	1
2	43297	HOUSING	1
3	43299	VALVE PISTION	1
4	22034	PRESSURE SPRING	1
5	60195	RING NIPPLE	1

**Hydraulic Variable Delivery Fuel Pump
Complete**

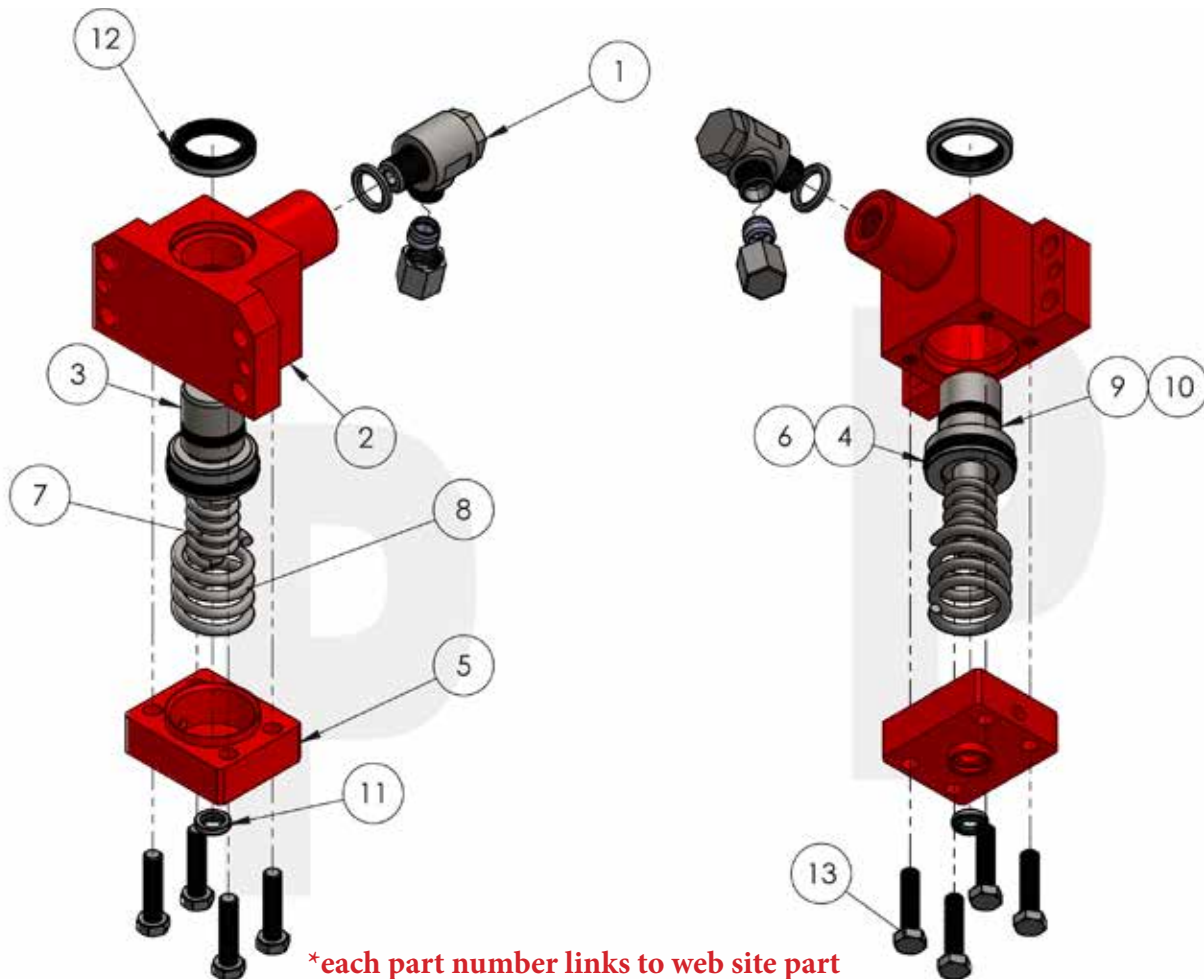


Hydraulic Variable Fuel Pump Continued....

Hydraulic Variable Delivery Fuel Pump Complete

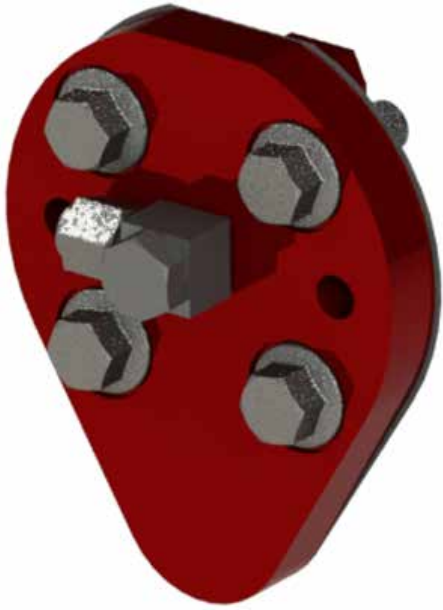
*each part number links to web site part

ITEM NO.	PART NUMBER	DESCRIPTION	QTY.
1	205503	PUMP BODY	1
2	205508	PUMP COVER	1
3	122446-C	FUEL PUMP CONTROL COMPLETE	1
4	60827	CHECK NON RETURN VALVE COMPLETE	1
5	91296	O RING 22 X 3	1
6	41869	PUMP LEVER	1
7	41868	STOP VALVE COMPLETE	1
8	17546	REGULATING ROPE	1
9	205507	DUST RING	1
10	93414	10-1.5 X 30 HEX HEAD CAPSCREW 8.8	4
11	205501	PRESSURE PIECE	1
12	14655	D100 PUMP ELEMENT 35 MM	1
13	93055	PLUG SCREW 18 X 1.5	1
14	90002	SEALING RING 18 X 22	1
15	22058	SPRING RETAINING COLLAR	1
16	22059	CONICAL RING 2 PCS	1
17	43287	GUIDE SLEEVE	1
18	22060	PRESSURE SPRING 28 X 67.2 X 3.5	1
19	43995	HOLDER RING	1
20	92996	ROUND SEALING RING 35 X 2.5	1
21	91885	PLUG SCREW M26 X 1.5	1
22	22043	PIN	1
23	41863	SUCTION VALVE	1
24	92031	SEALING RING A20 X 24	1
25	205506	DOWEL PIN 8 X 20	1
26	93456	LOCKING SCREW M8 X 50	1
27	93236	PROTECTION CAP	2

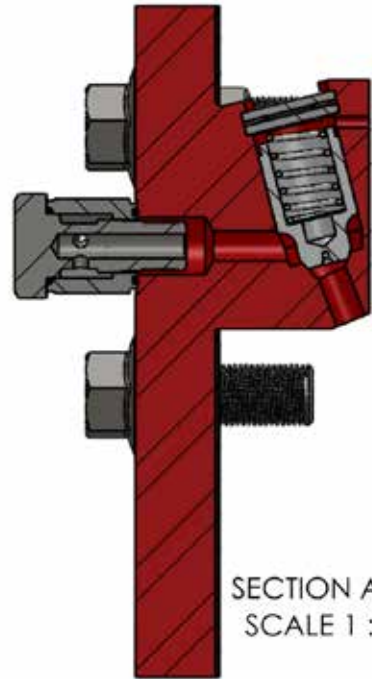
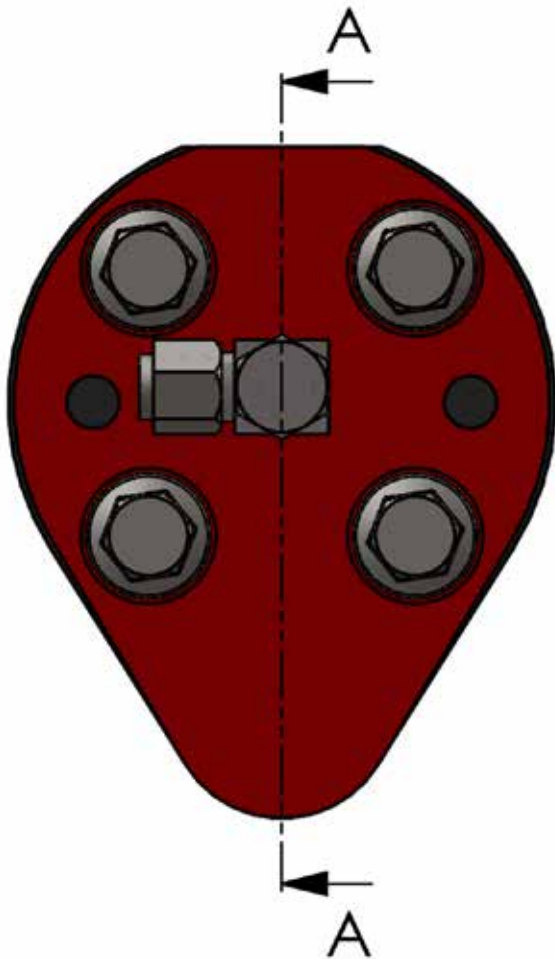
**Fuel Pump Control
Complete**


*each part number links to web site part

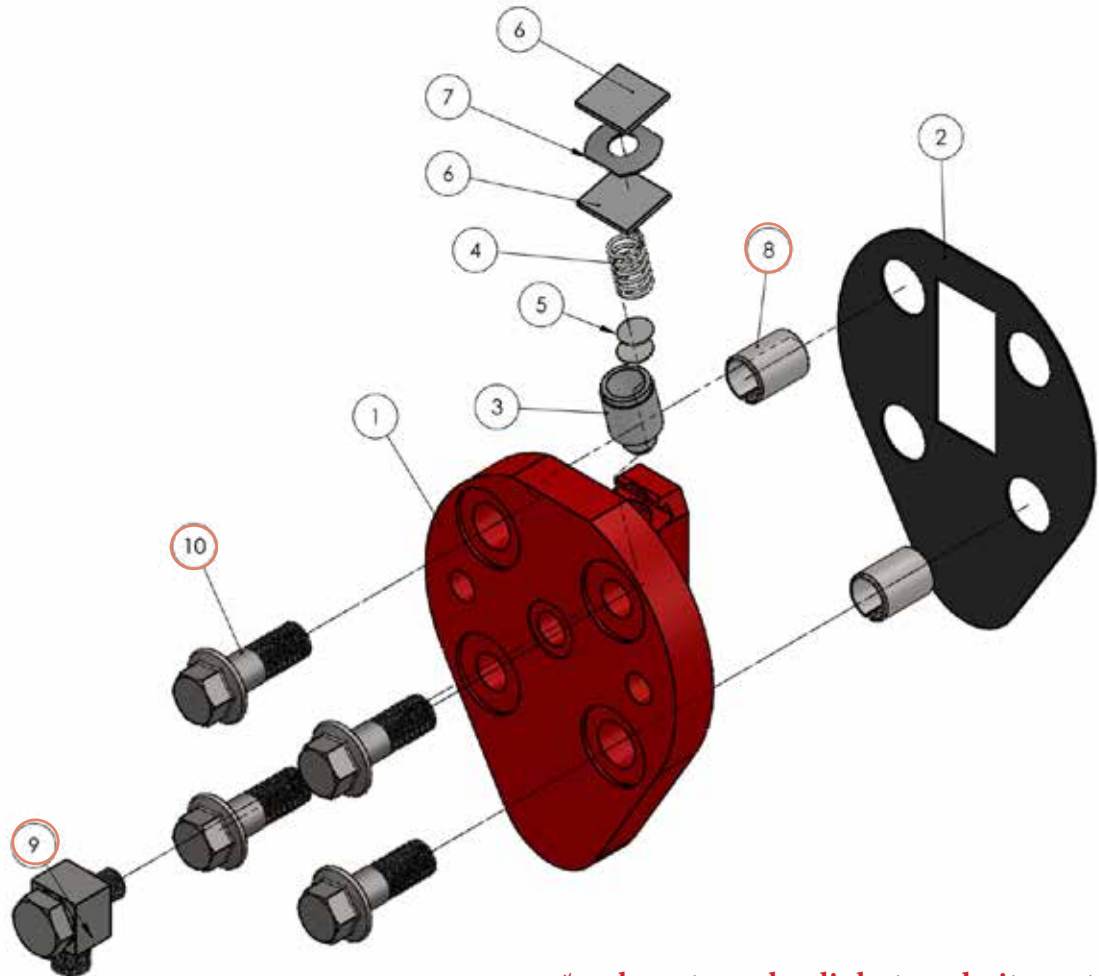
ITEM NO.	PART NUMBER	DESCRIPTION	QTY.
1	205509	METRIC BITE TYPE FITTING M16 X 1.5	1
2	126538-C	CYLINDER	1
3	126539	PISTON	1
4	193444	O-RING 32.93 X 3.53	1
5	126537-C	COVER	1
6	193446	BACK UP RING	1
7	193451	PRESSURE SPRING	1
8	193450	PRESSURE SPRING	1
9	193445	O-RING 20.22 X 3.53	1
10	193447	BACK UP RING	1
11	193448	ROD WIPER	1
12	193449	ROD WIPER	1
13	94989	8-1.25 X 35 HEX HEAD CAPSCREW	4



Fuel Injection



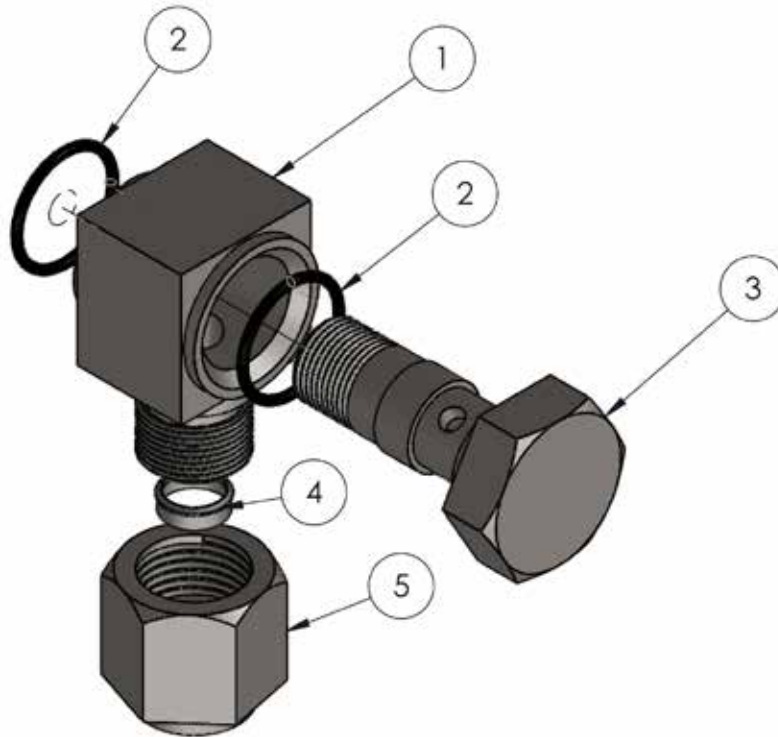
SECTION A-A
SCALE 1 : 2

**Fuel Injection Device
Complete**


*each part number links to web site part

ITEM NO.	PART NUMBER	DESCRIPTION	QTY.
1	102133	INJECTION PLATE	1
2	45647	GASKET	1
3	63843	VALVE PISTON	1
4	97569	PRESSURE SPRING	1
5	97573	ADJUSTING WASHER	2
6	64460	LOCKING PLATE	2
7	64461	SPRING WASHER	1
8	sold separately 95633	DOWEL PIN 21 X 28 DIN 7346	2
9	sold separately 97038	THREADED PIPE JOINT (UNION)	1
10	sold separately 95639	LOCKING SCREW M16 X 45	4

Threaded Pipe Joint Complete



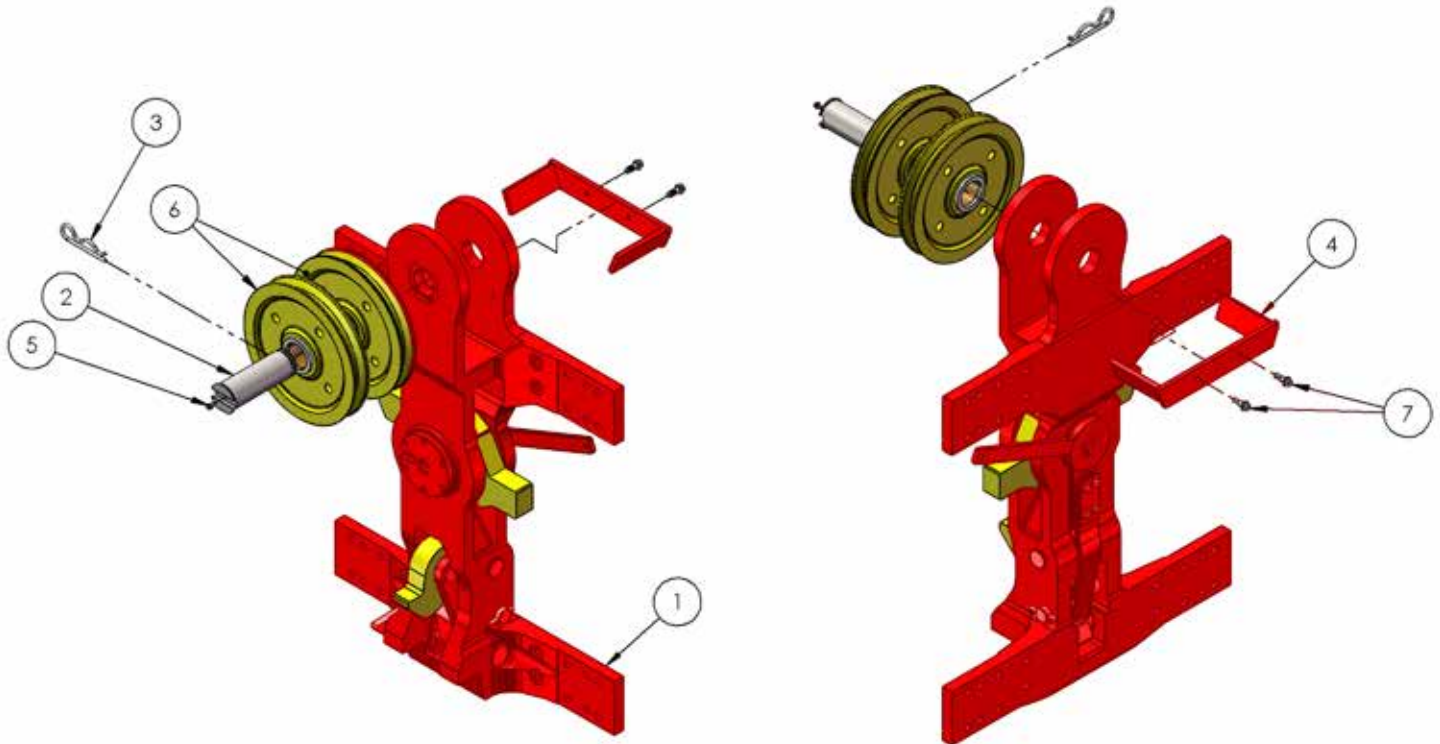
NOTE: ITEM SHOULD BE REPLACED WITH
NEW PIPE JOINT COMPLETE WHEN
REMOVED FOR SERVICING

#1 SOLD COMPLETE

**each part number links to web site part*

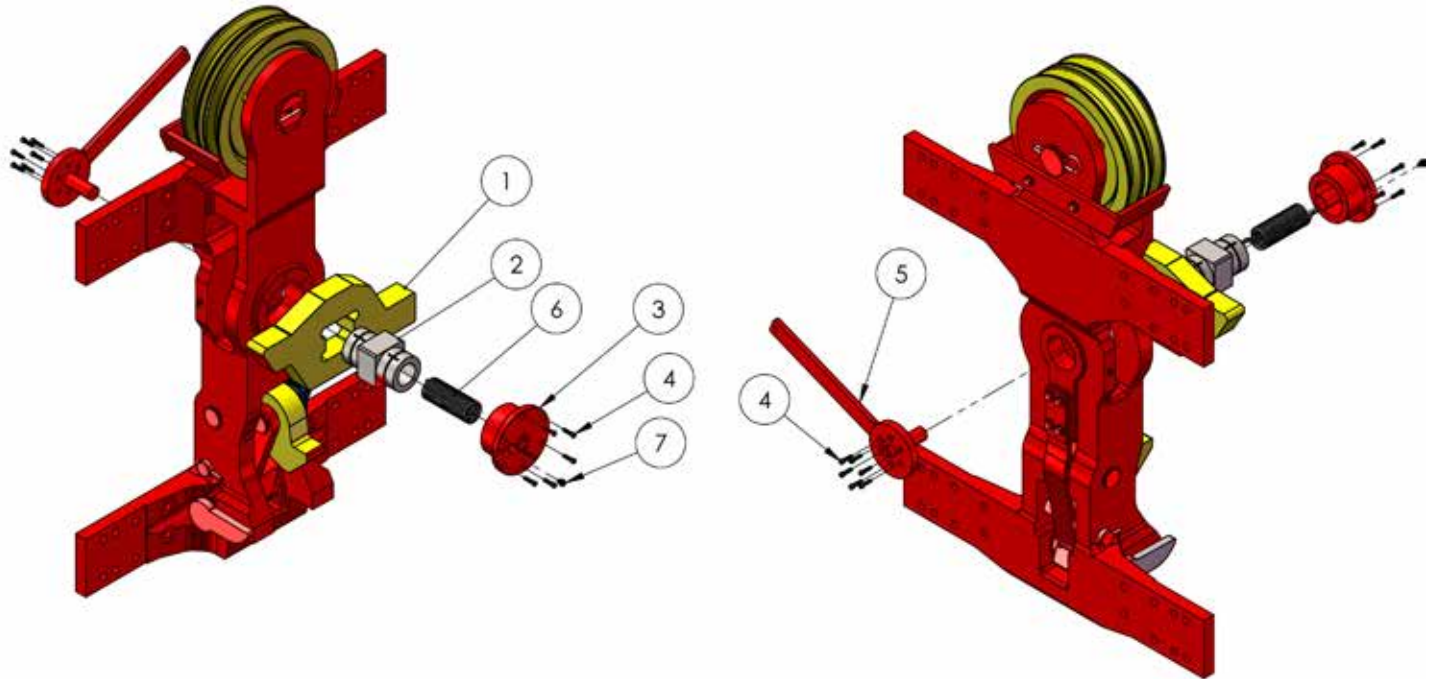
ITEM NO.	PART NUMBER	DESCRIPTION	QTY.
1	97038	THREADED PIPE JOINT	1
2	97258	O RING 17 X 1.5	2
3	210405	HOLLOW SCREW	1
4	90127	OLIVE	1
5	204012	UNION NUT M16X1.5	1

**SOLD
TOGETHER**

**Manual Starting Device (Trip)
Complete**


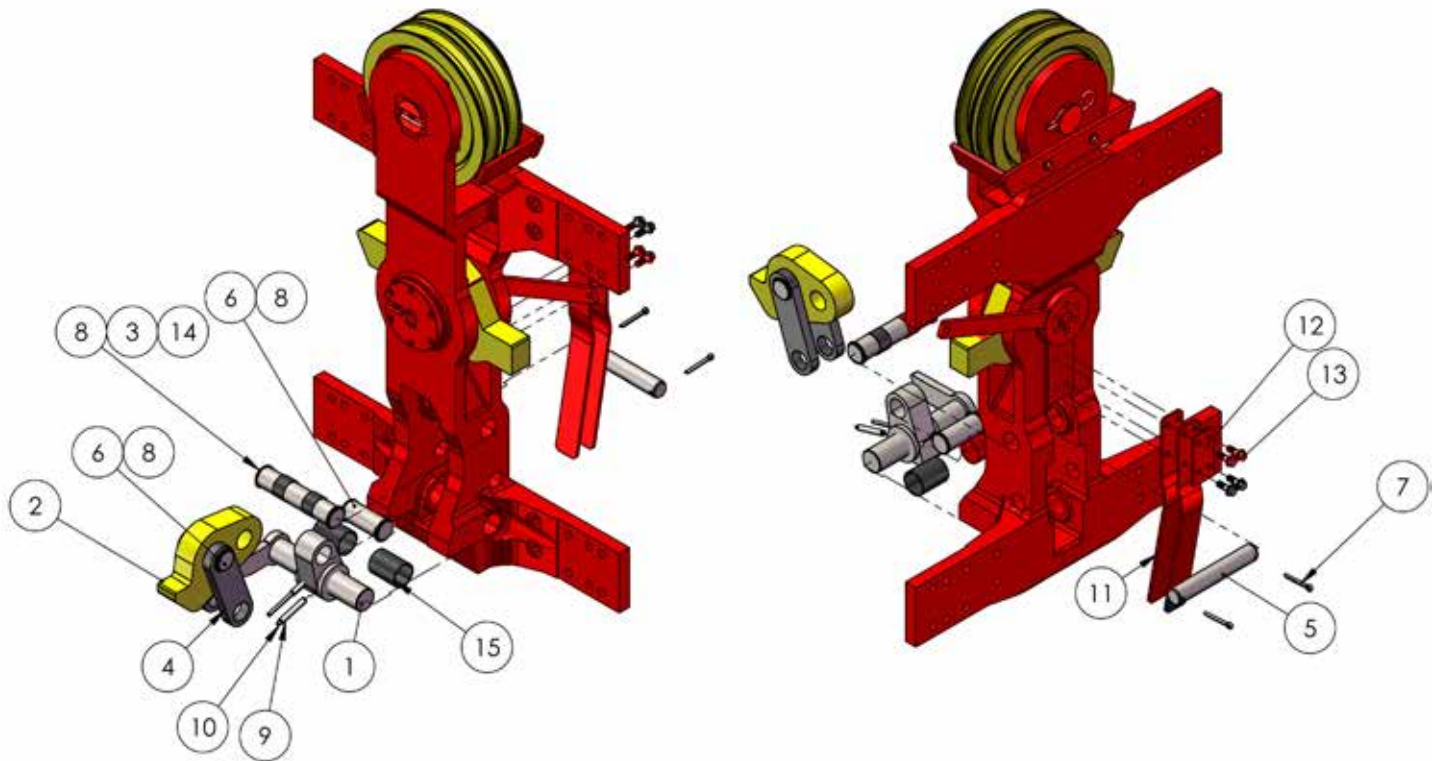
*each part number links to web site part

ITEM NO.	PART NUMBER	DESCRIPTION	QTY.
1	22984	GUIDE BODY	1
2	41843	SHEAVE PIN	1
3	16802	HAIR PIN	1
4	41842	ROPE GUARD	1
5	90791	GREASE NIPPLE M10 x 1	3
6	41839	ROPE PULLEY	2
7	95639	LOCKING SCREW M16 x 45	6

**Manual Starting Device (Trip)
Complete**


*each part number links to web site part

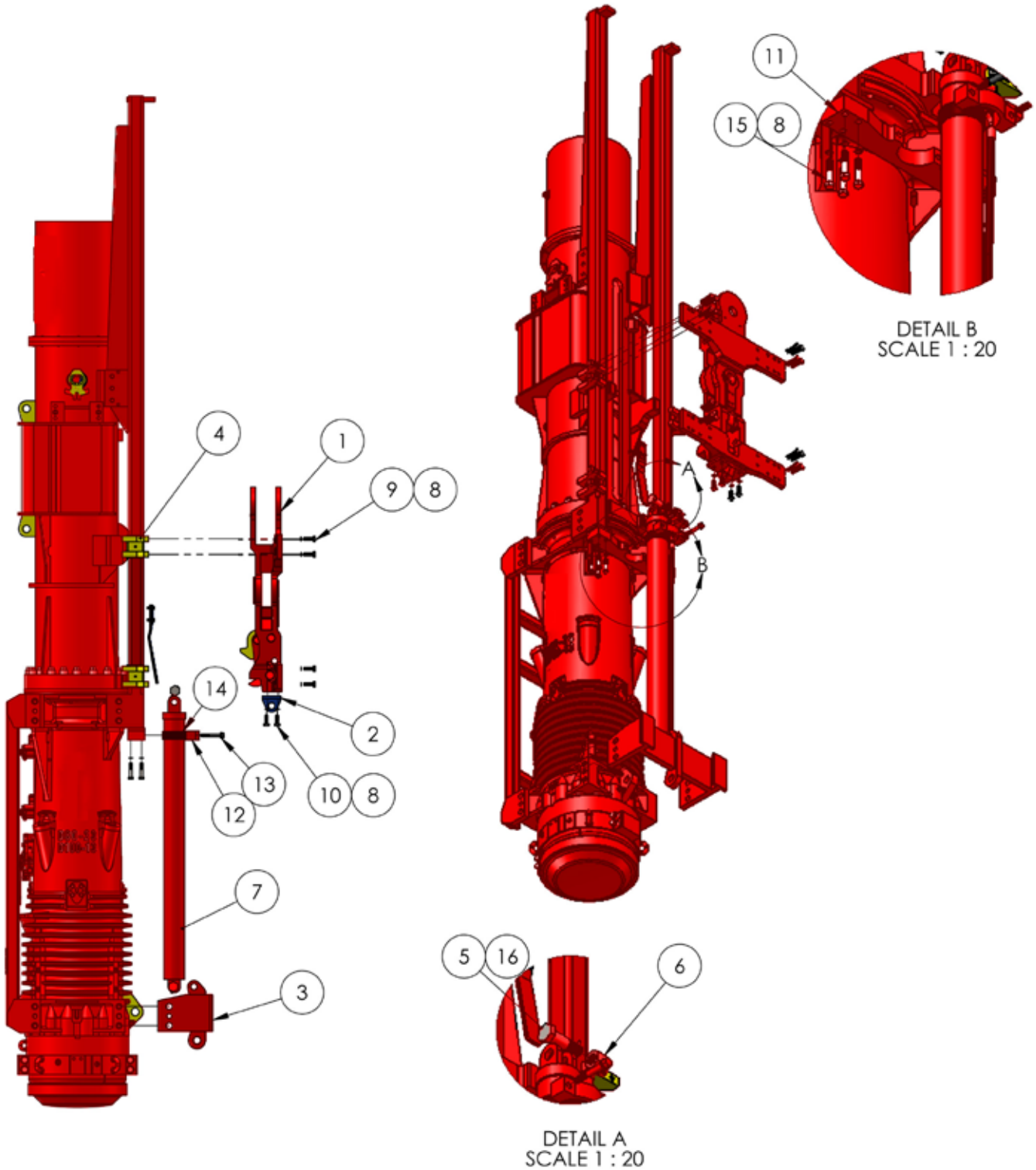
ITEM NO.	PART NUMBER	DESCRIPTION	QTY.
1	41844	CARRIER	1
2	41849	SHAFT	1
3	41835	FLANGE	1
4	91395	M12 X 30 SOCKET HEAD CAPSCREW	12
5	41831	LEVER	1
6	41851	TORSION SPRING	1
7	90791	GREASE NIPPLE M10 X 1	3

**Manual Starting Device (Trip)
Complete**


*each part number links to web site part

TEM NO.	PART NUMBER	DESCRIPTION	QTY.
1	41824	TRIP CAM WITH LEVER	1
2	41845	PAWL	1
3	41841	SHAFT	1
4	41847	SHACKLE	2
5	98514	PIN	1
6	41848	JOINT BOLT	2
7	90638	SPLIT PIN 10 X 80	2
8	90260	CIRCLIP 60 X 2	6
9	90337	DOWEL PIN 16 X 100	2
10	91410	DOWEL PIN 10 X 100	2
11	41850	PLATE SPRING	2
12	41846	PLATE	1
13	95639	LOCKING SCREW M16 X 45	6
14	22986	SLEEVE	2
15	22987	SLEEVE	2

Hydraulic Starting Device (Trip) Assembly



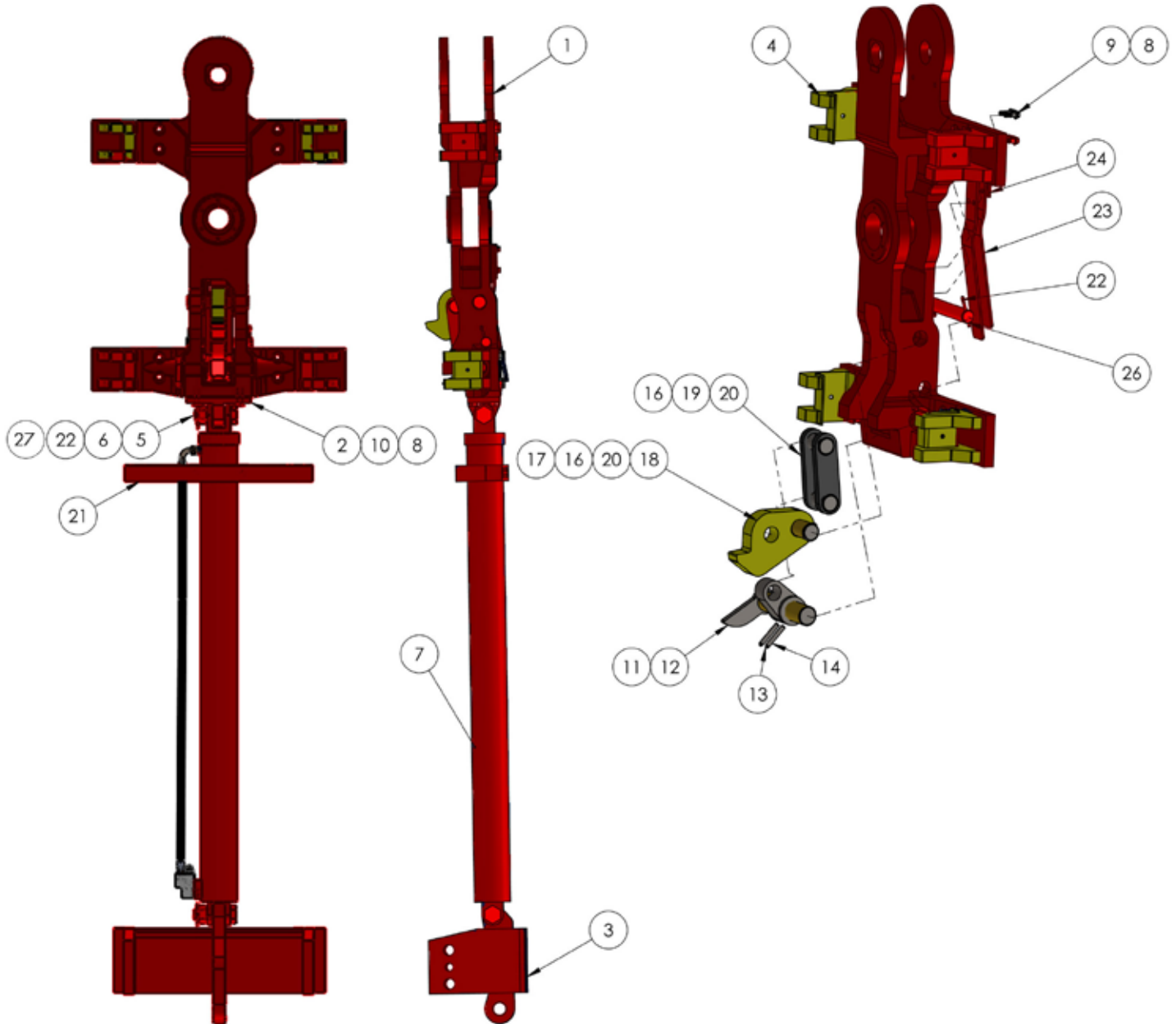
Continued.....

Hydraulic Starting Device (Trip) Assembly

*each part number links to web site part

ITEM NO.	PART NUMBER	DESCRIPTION	QTY.
1	SEE TRIP ASSEMBLY	HYDRAULIC TRIP ASSEMBLY	1
2	207106	TRIP MOUNTING PLATE	1
3	41365	HAMMER CONNECTION BRACKET	1
4	207104	D80/D100 GUIDE GIB	4
5	207117	48MM X 175 CYLINDER BOLT	2
6	40567-6	48MM LOCKING NUT	2
7	207139	HYDRAULIC CYLINDER COMPLETE	1
8	203131	24MM SCHNORR SAFETY WASHER	28
9	207105	24-3.0 X 80 HEX HEAD CAPSCREW	16
10	261417	24MM-3.0 X 70 HEX HEAD CAPSCREW	4
11	41396-1	HYDRAULIC CYLINDER BRACKET BASE	1
12	41396-2	HYDRAULIC CYLINDER BRACKET CLAMP	1
13	910-HCS-24MMX165-3	24MM X 165 HEX HEAD CAPSCREW	2
14	41396-3	RUBBER CUSHION	1
15	285106	24-3.0MM X 120 HEX HEAD CAPSCREW	8
16	8000317	3/8 X 4 COTTER PIN	2

Hydraulic Starting Device (Trip) Assembly



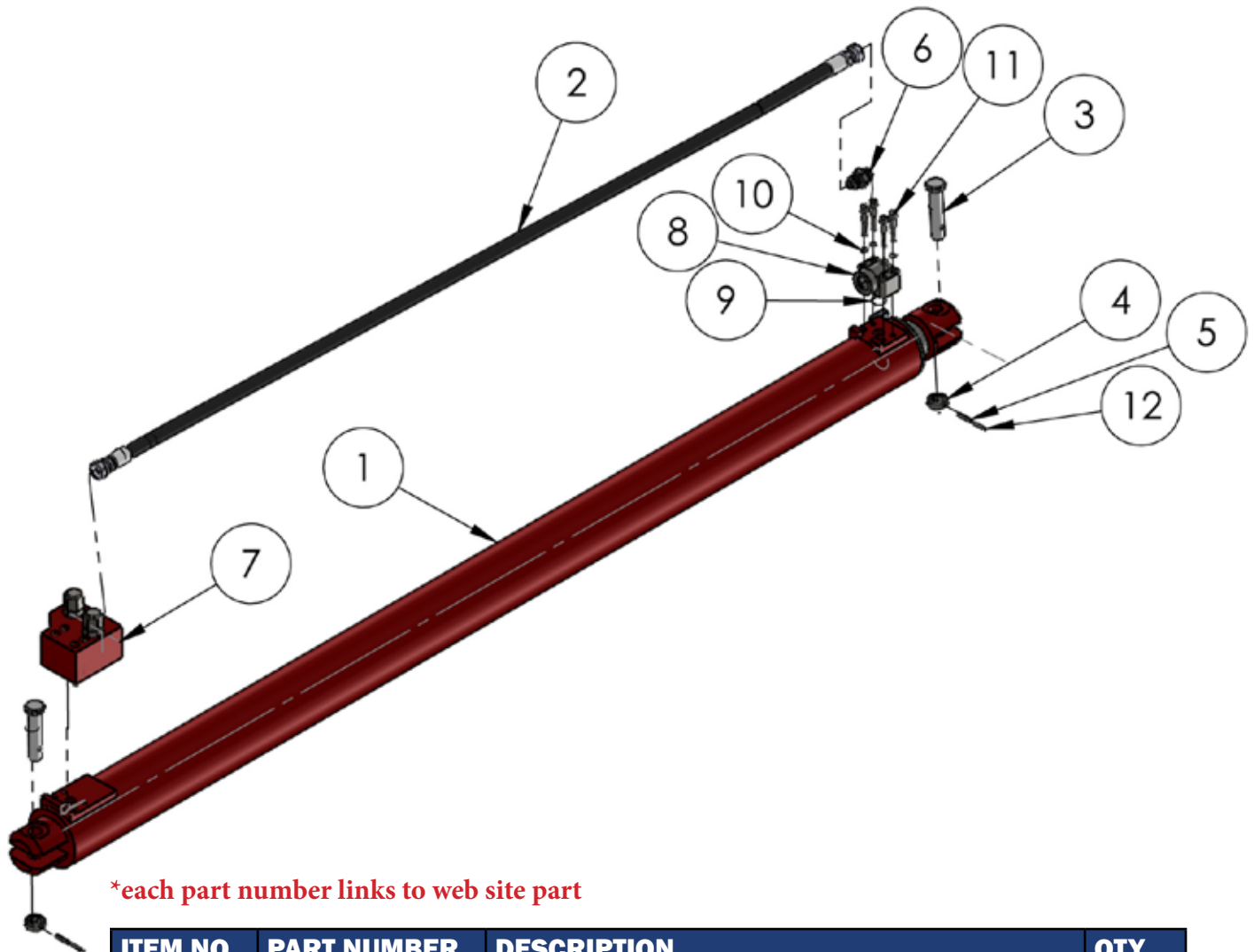
Continued.....

Hydraulic Starting Device (Trip) Assembly

*each part number links to web site part

ITEM NO.	PART NUMBER	DESCRIPTION	QTY.
1	22984	GUIDE BODY	1
2	207106	TRIP MOUNTING PLATE	1
3	40497-04	HAMMER CONNECTION BRACKET	1
4	207104	D80/D100 GUIDE GIB	4
5	8001392	PIN	2
6	8001393	LOCKING RING	2
7	207139	HYDRAULIC CYLINDER COMPLETE	1
8	203131	24MM SCHNORR SAFETY WASHER	20
9	207105	24-3.0 X 80 HEX HEAD CAPCSREW	16
10	261417	24MM-3.0 X 70 HEX HEAD CAPSCREW	4
11	41824	TRIP CAM WITH LEVER	1
12	22987	SLEEVE	2
13	91410	DOWEL PIN 10 X 100	2
14	90337	DOWEL PIN 16 X 100	2
15	41841	SHAFT	1
16	90260	CIRCLIP 60 X 2	6
17	22986	SLEEVE	2
18	41845	PAWL	1
19	41847	SHACKLE	2
20	41848	JOINT BOLT	2
21	41396	CYLINDER BRACKET COMPLETE	1
22	207159	13MM X 75MM ROLL PIN	2
23	41850	PLATE SPRING	2
24	41846	PLATE	1
25	95639	LOCKING SCREW M16 X 45	4
26	98514	PIN	1
27	207160	8MM X 75MM ROLL PIN	2

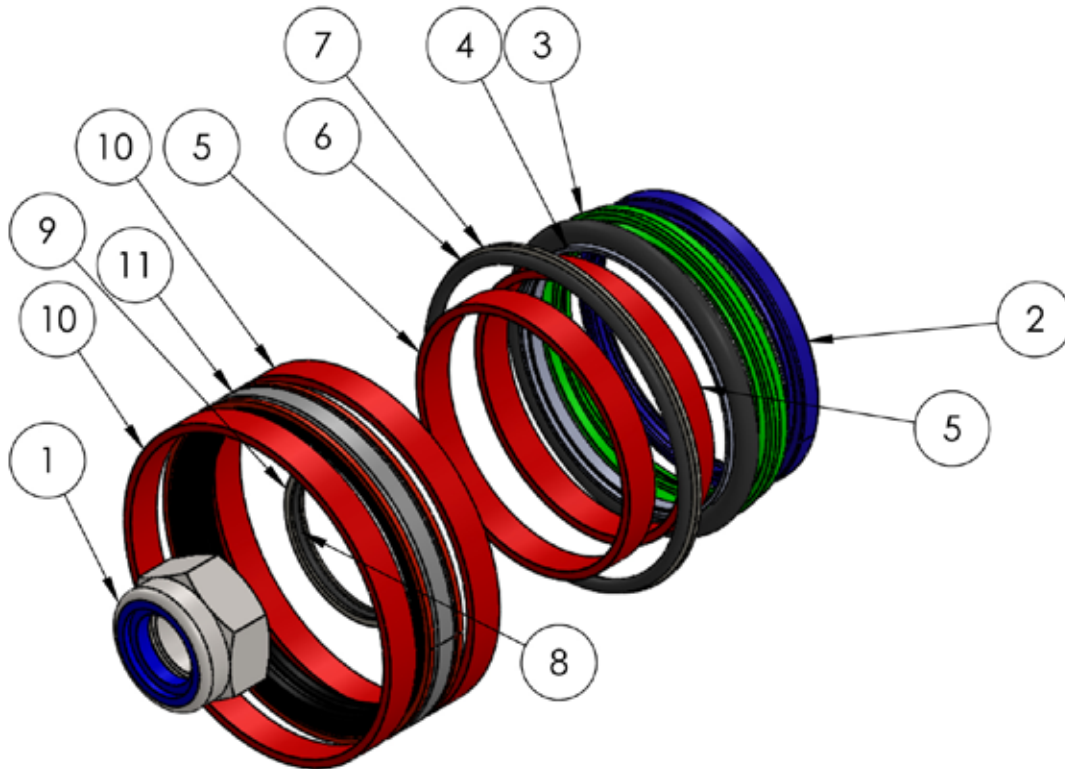
Hydraulic Cylinder Complete



*each part number links to web site part

ITEM NO.	PART NUMBER	DESCRIPTION	QTY.
1	207140	HYDRAULIC CYLINDER	1
2	207141	1950MM HOSE	1
3	8001392	PIN	1
4	8001393	LOCKING RING	1
5	207159	13MM X 75MM ROLL PIN	4
6	203112	12 C50X-S Triple-Lok 37° 90° Elbow C50X	4
7	203177	LOWER HYDRAULIC BLOCK ASSEMBLY	1
8	203182	UPPER HYDRAULIC BLOCK ASSEMBLY	1
9	203172	O-RING 2-214 24.99 X 3.53	
10	207116	10MM HI COLLAR LOCK WASHER	
11	203174	10MM X 55 SOCKET HEAD CAP SCREW	
12	207160	8MM X 75MM ROLL PIN	

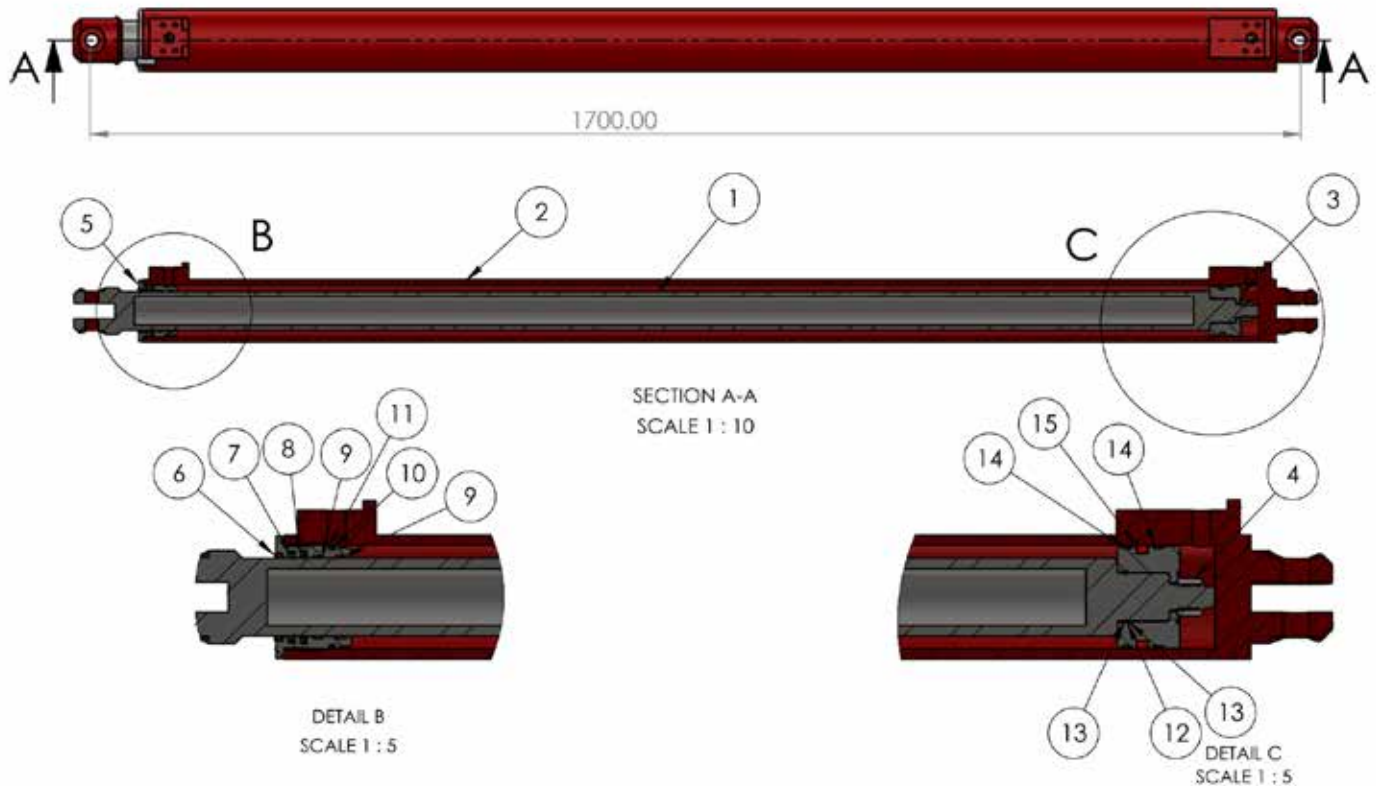
D100 Hydraulic Start Cylinder Ring Kit



*each part number links to web site part

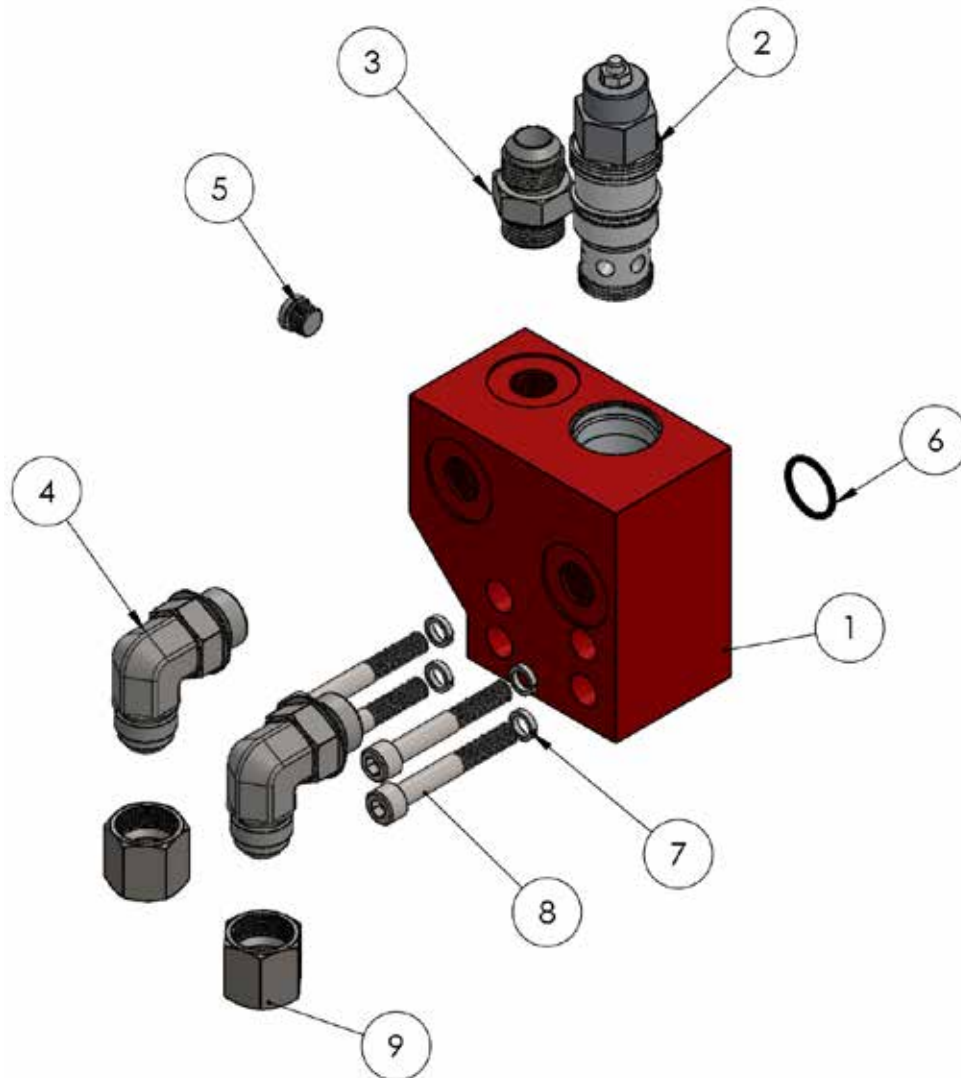
ITEM NO.	PART NUMBER	DESCRIPTION	QTY.
1	201104	20MM X 2.5 NYLON INSERT LOCK NUT	1
2	207146	WIPER SEAL	1
3	207147	ROD SEAL	1
4	207148	ROD SEAL	1
5	207149	WEAR RING	2
6	207150	2-357 139.07×5.33 O-RING	1
7	207151	151×142.3-1.5 BACKING RING	1
8	207152	47.29×2.62 O-RING	1
9	207153	45×52-1 BACKING RING	2
10	207154	150×145-9.7 GUIDING RING	2
11	207155	150×129-8.1 DOUBLE ACTING PISTON SEAL	1

Hydraulic Cylinder Assembly



ITEM NO.	PART NUMBER	DESCRIPTION	QTY.
1	204142	CYLINDER ROD	1
2	207144	CYLINDER SLEEVE	1
3	207145	PISTON	1
4	201104	20MM X 2.5 NYLON INSERT LOCK NUT	1
5	207143	CYLINDER HEAD	1
6	207146	WIPER SEAL	1
7	207147	ROD SEAL	1
8	207148	ROD SEAL	1
9	207149	WEAR RING	2
10	207150	2-357 139.07 X 5.33 O-RING	1
11	207151	151 X 142.3-1.5 BACKING RING	1
12	207152	2-134 47.29 X 2.62 O-RING	1
13	207153	48X 52-1 BACKING RING	2
14	207154	150 X 145-9.7 GUIDING RING	2
15	207155	150 X 129-8.1 DOUBLE ACTING PISTON SEAL	1

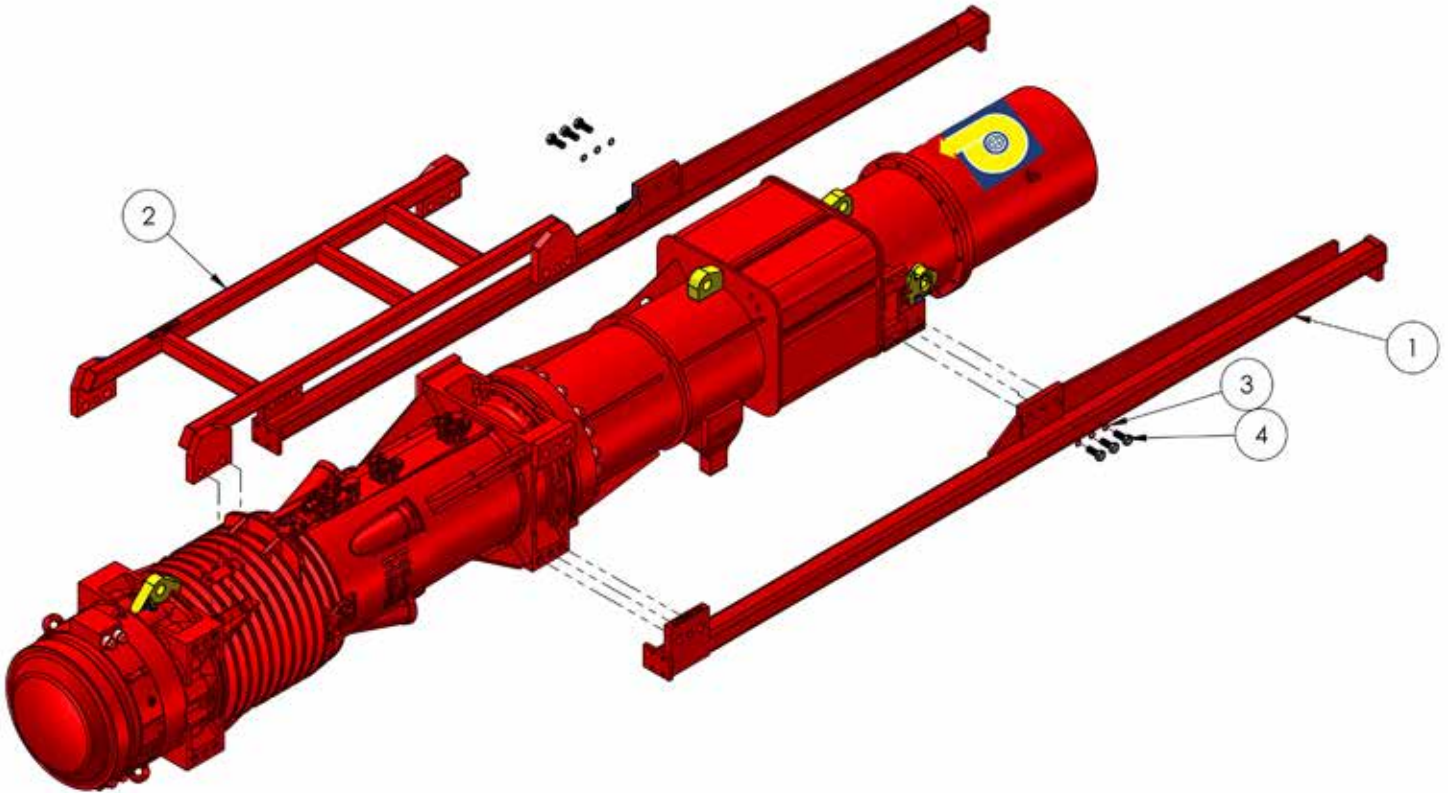
Counterbalance Valve Assembly



*each part number links to web site part

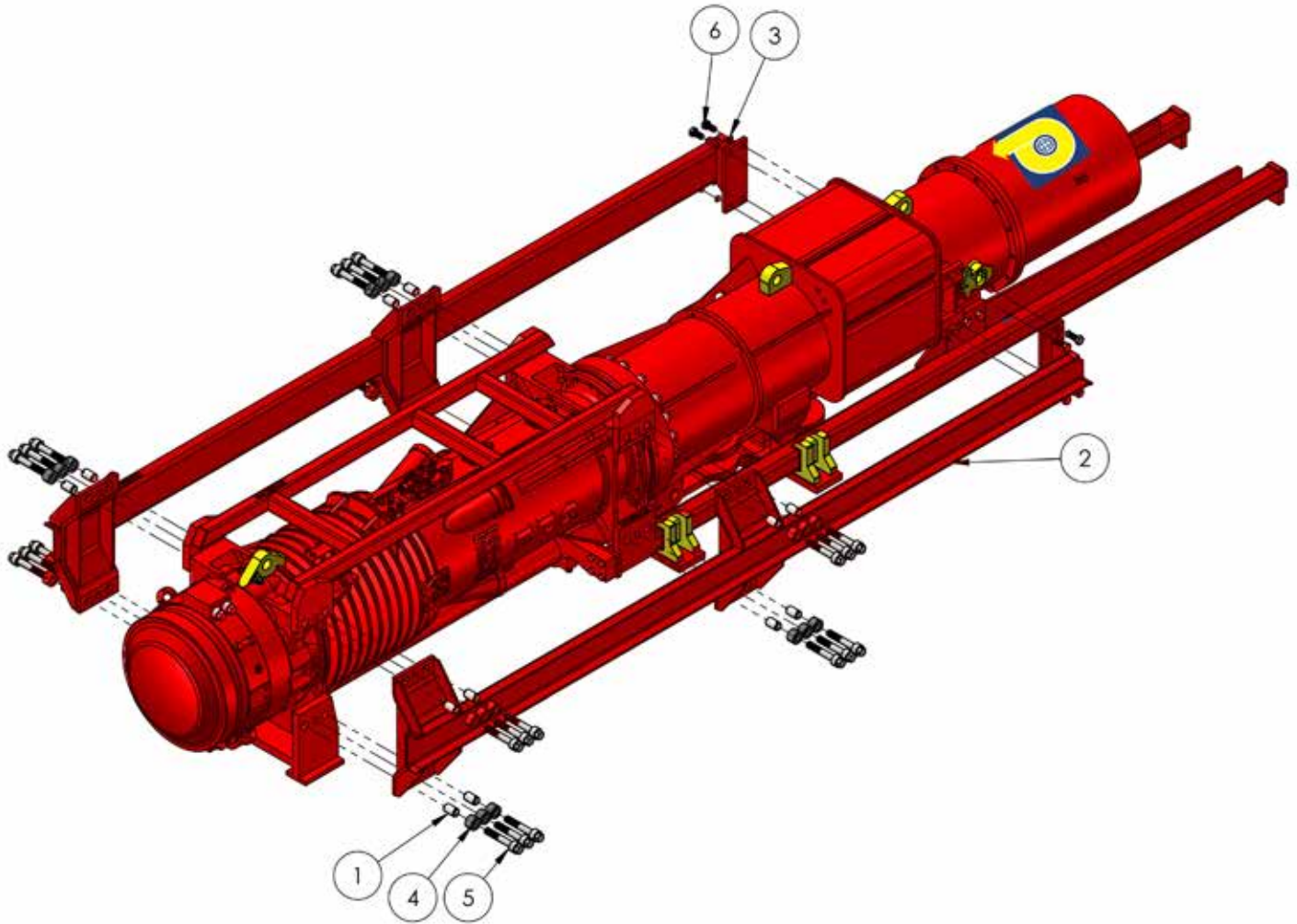
ITEM NO.	PART NUMBER	DESCRIPTION	QTY.
1	203177	LOWER MANIFOLD BLOCK	1
2	203122	CBGG-LJN SUN HYDRAULICS	1
3	203124	3/4-1 1/16 - 12 JIC Straight Thread Connectors 37° Flare /SAE-ORB 12 F50X	1
4	203112	12 C50X-S Triple-Lok 37° 90° Elbow C50X	2
5	203125	G1/4 PLUG	1
6	203172	O-RING 2-214 24.99 X 3.53	1
7	207116	10MM HI COLLAR LOCK WASHER	4
8	207115	10MM-1.5 X 70 SOCKET HEAD CAP SCREW	4
9	203138	12 FNTX-S CAP	2

Starter Guides & Pump Guard



*each part number links to web site part

ITEM NO.	PART NUMBER	DESCRIPTION	QTY.
1	207216	D100 STARTER GUIDES	1
2	207202	D100 PUMP GUARD	1
3	207103	30MM SCHNORR SAFETY WASHER	6
4	207102	30MM-3.5 X 80MM HEX HEAD CAPSCREW	6

**D100/80 U-48 X 8 LEAD GUIDING
Assembly**


*each part number links to web site part

ITEM NO.	PART NUMBER	DESCRIPTION	QTY.
1	94281	DOWEL PIN 50 X 80	16
2	207205	U-48 X 8 GUIDING FOR D100	1
3	207103	30MM SCHNORR SAFETY WASHER	8
4	41710	SPACER	24
5	20038	HEX BOLT M36 X 210	24
6	207201	30-3.5MM X 70 HEX HEAD CAPSCREW	8