

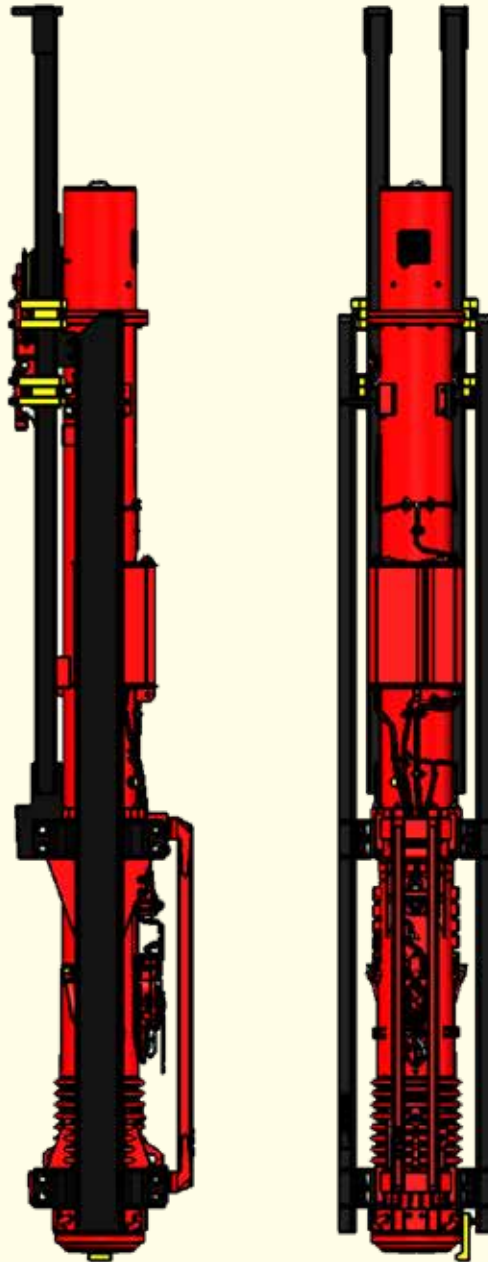


PILECO INC.

Diesel Pile Hammer **D12-42**

Parts Manual

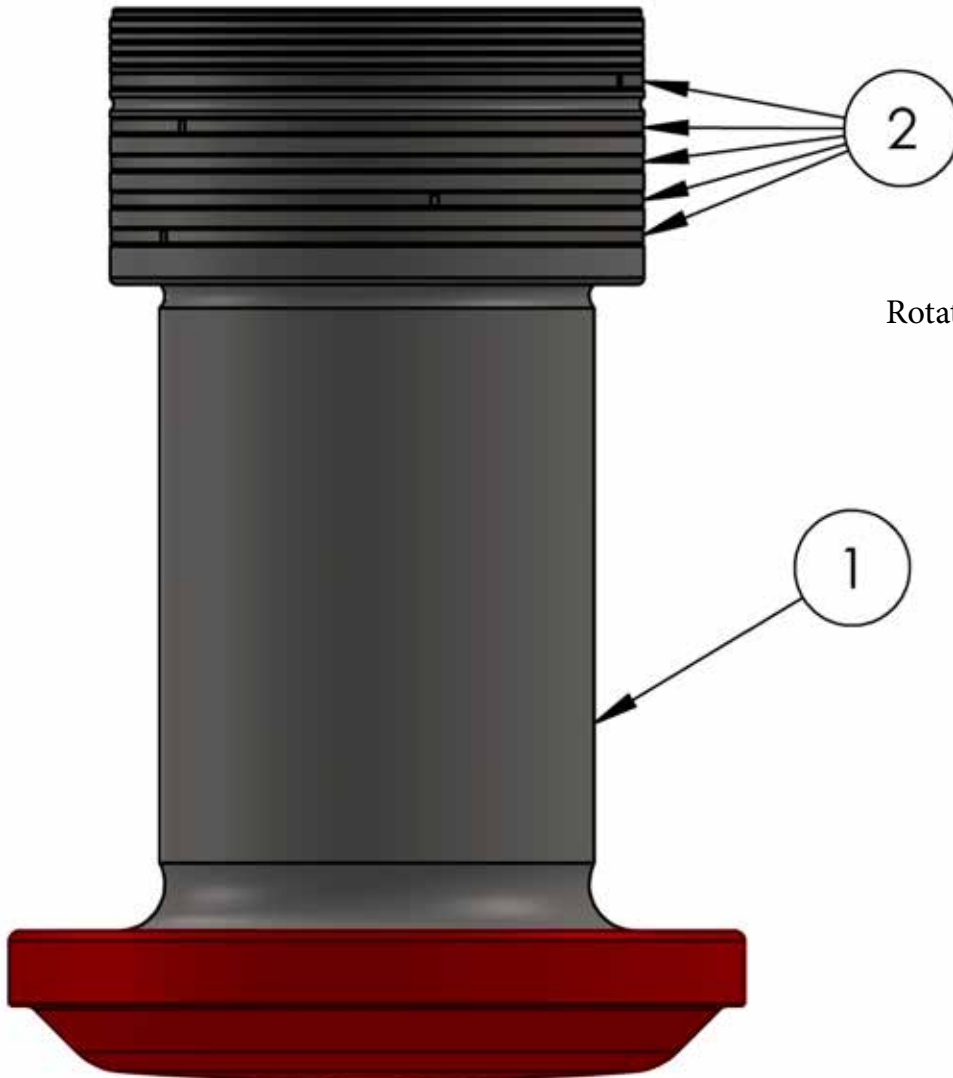
Parts Manual





Contents Page

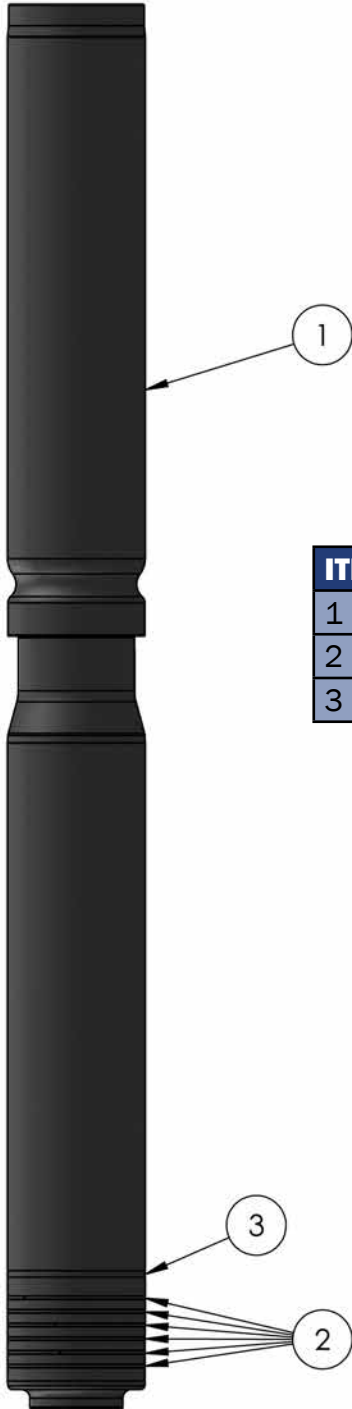
| | |
|---|--------------------|
| Impact Block | page #3 |
| Striking Weight Piston | page #4 |
| Lower Cylinder Complete | page #5 |
| Lube Pump | page #6-8 |
| Lube Pump Cylinder Complete | page #9 |
| Pressure Valve | page #10 |
| Piston Complete | page #11 |
| Manual Variable Delivery Fuel Pump | page #12-17 |
| Pump Element 15mm | page #18 |
| Stop Valve Complete | page #19 |
| Suction Valve Complete | page #20 |
| Check Non Return Valve | page #21 |
| Hydraulic Variable Delivery Fuel Pump | page #22-24 |
| Fuel Pump Control | page #25 |
| Pigtail Installment | page #26 |
| Hydraulic Hand Pump | page #27-28 |
| Manifold Complete | page #29 |
| Hand Pump 1/4" Hose assembly | page # 30 |
| Fuel Injection Valve | page #31-33 |
| Fuel Injection Device & Fuel Tube Complete | page #34-35 |
| Upper Cylinder Complete | page #36-38 |
| Filter Elbow Complete | page #40 |
| Lube Lines w/Connector | page #41 |
| Fuel Line—Breather Line | page #42 |
| Manual Starting Device—Trip | page #42-45 |
| Hydraulic Push Start | page #46-48 |
| Hydraulic Starting Device—Trip | page #49-50 |
| Hydraulic Cylinder Complete | page #51 |
| Hydraulic Cylinder Assembly | page #52 |
| Hydraulic Start Cylinder Ring Kit | page #53 |
| Counterbalance Valve | page #54 |
| Guide Gibs and Starter Guide | page #55 |
| Guiding Assembly Hardware Kit | page #57 |
| U-21 X 8 LEAD GUIDING Assembly | page #58 |
| U-26 X 8 LEAD GUIDING Assembly | page #59 |
| SPACER BLOCK KIT 6" | page #60 |
| Transportation Protection | page #61-62 |
| Exhaust Cover Complete | page #63 |
| Tool Box | page #64-65 |

Impact Block


Rotate Rings 120° as stacked

*each part number links to web site part

| ITEM NO. | PART NUMBER | DESCRIPTION | QTY. |
|----------|-------------|--------------|------|
| 1 | 119003 | IMPACT BLOCK | 1 |
| 2 | 2589 | PISTON RING | 5 |

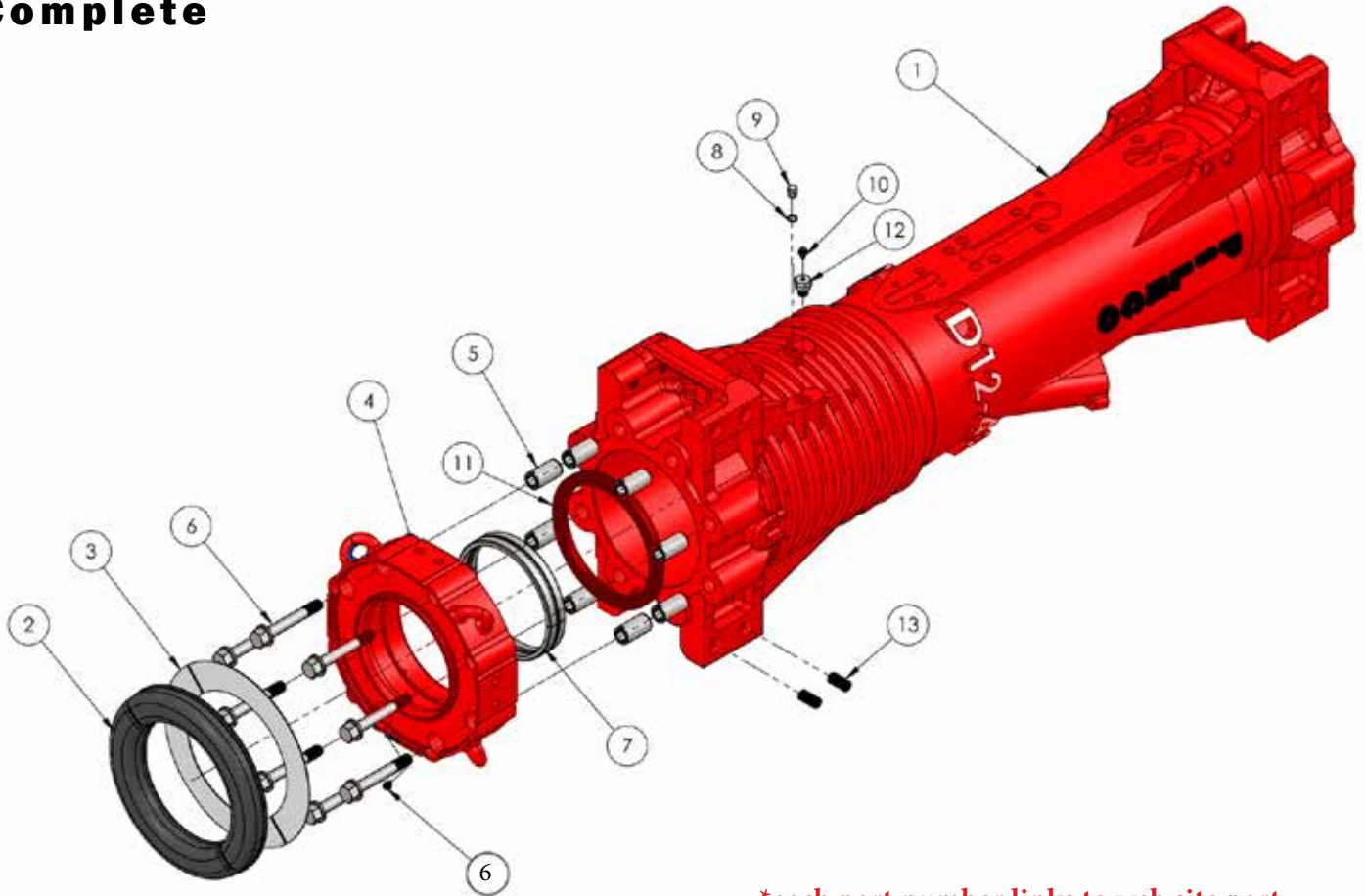
**Striking Weight (Piston)
Complete**


| ITEM NO. | PART NUMBER | DESCRIPTION | QTY. |
|----------|-------------|-------------------------|------|
| 1 | 148644 | STRIKING WEIGHT(PISTON) | 1 |
| 2 | 2589 | PISTON RING | 6 |
| 3 | 708 | CATCH PISTON RING | 1 |

PILECO, Inc.

office (936)494-4200 • 1-800-409-0018 • fax (936)494-4517
www.Pileco.com • 491 Conroe Park W. Dr. • Conroe, TX 77303

Lower Cylinder Complete



*each part number links to web site part

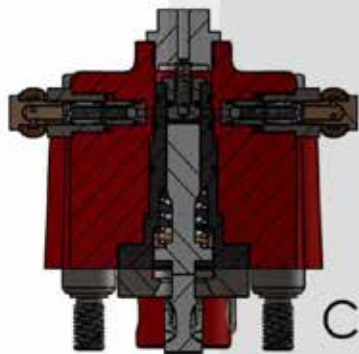
| ITEM NO. | PART NUMBER | DESCRIPTION | QTY. |
|----------|-------------|-------------------------------|------|
| 1 | 202001 | LOWER CYLINDER PART D12 | 1 |
| 2 | 102101 | RUBBER RING | 1 |
| 3 | 202002 | RUBBER RING SPACER | 1 |
| 4 | 119019 | OUTER ENDRING COMPLETE (2PCS) | 1 |
| 5 | 95195 | 40 X 75 DOWEL PIN | 8 |
| 6 | 20174 | M24 X 165 HEX BOLT | 8 |
| 7 | 119005 | INNER END RING | 1 |
| 8 | 90002 | SEALING RING 18 X 22 | 1 |
| 9 | 91460 | M18 X 1.5 DIN 910 HEX PLUG | 1 |
| 10 | 90791 | GREASE NIPPLE M10 X 1 | 2 |
| 11 | 119048 | INNER DAMP RING | 1 |
| 12 | 22592 | REDUCER | 1 |
| 13 | 95582 | THREADED INSERT M24 | 16 |

PILECO, Inc.

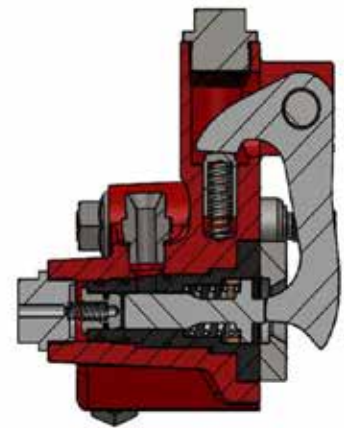
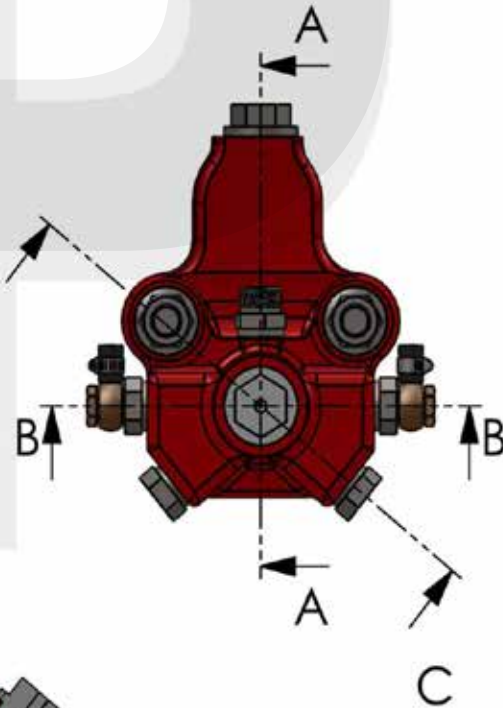
office (936)494-4200 • 1-800-409-0018 • fax (936)494-4517
 www.Pileco.com • 491 Conroe Park W. Dr. • Conroe, TX 77303



Lube Pump

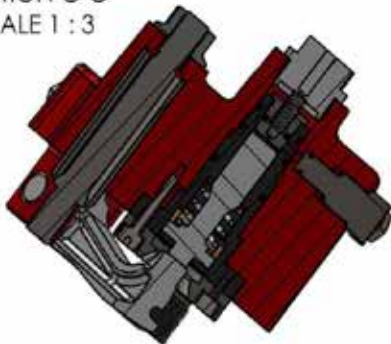


SECTION B-B
SCALE 1 : 3

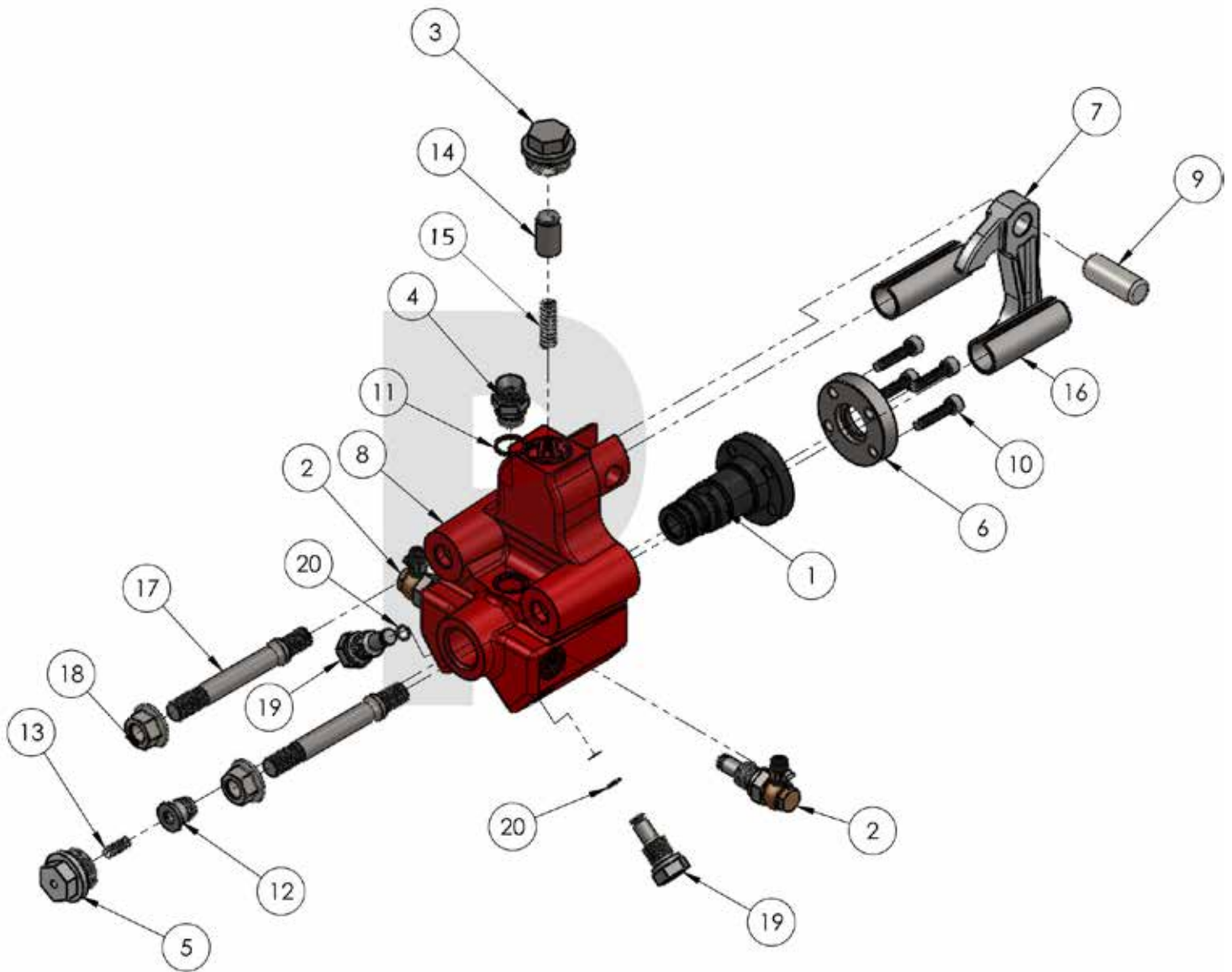


SECTION A-A
SCALE 1 : 3

SECTION C-C
SCALE 1 : 3



**Lube Pump
Complete**



Lube Pump Complete continued.....

**Lube Pump
Complete**

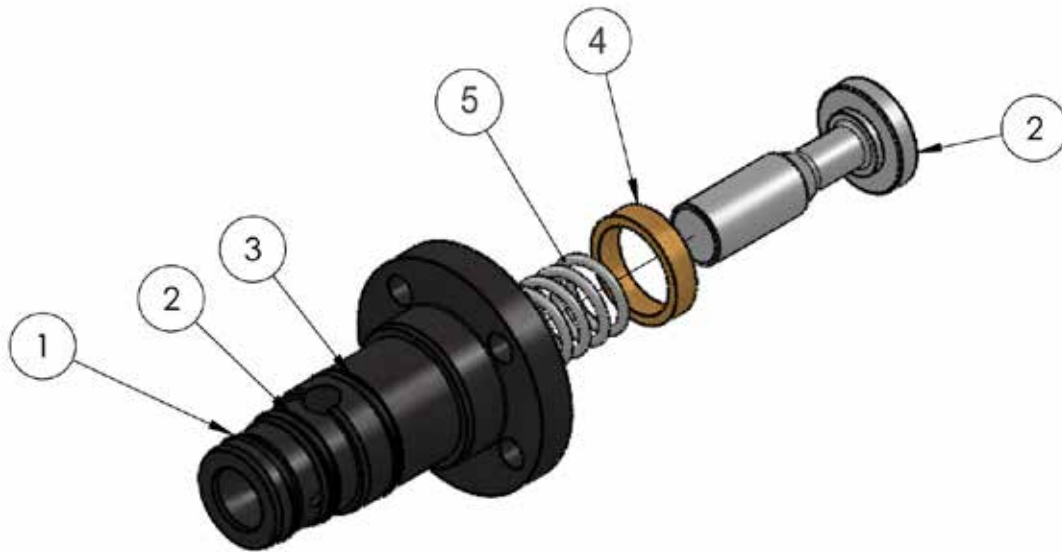
*each part number links to web site part

| ITEM NO. | PART NUMBER | DESCRIPTION | QTY. |
|----------|-------------|---------------------------------------|------|
| 1 | 67279 | CYLINDER COMPLETE | 1 |
| 2 | 108317 | PRESSURE VALVE COMPLETE | 2 |
| 3 | 91976 | PLUG SCREW | 1 |
| 4 | 67290 | ADAPTER | 1 |
| 5 | 108311 | PLUG SCREW | 1 |
| 6 | 67282 | WASHER | 1 |
| 7 | 22081 | LUBE PUMP LEVER | 1 |
| 8 | 108315 | LUBE PUMP BODY | 1 |
| 9 | 22082 | PUMP LEVER PIN | 1 |
| 10 | 90937 | 8-1.25MM X 35 SOCKET HEAD CAPSCREW | 4 |
| 11 | 92031 | SEALING RING A20 X 24 | 1 |
| 12 | 67284 | PISTON COMPLETE | 1 |
| 13 | 190479 | PRESSURE SPRING 7.3 X 29.4 X 1.2 | 1 |
| 14 | 22090 | SLEEVE | 1 |
| 15 | 22089 | PRESSURE SPRING 10 X 43 X 2 | 1 |
| 16 | 94315 | DOWEL PIN 28 X 80 DIN 7346 | 2 |
| 17 | 20189 | PUMP STUD M16 | 2 |
| 18 | 94722 | M16 WASHER NUT | 2 |
| 19 | 108316 | PLUG SCREW | 2 |
| 20 | 97855 | O RING 8 X 2 | 1 |

PILECO, Inc.

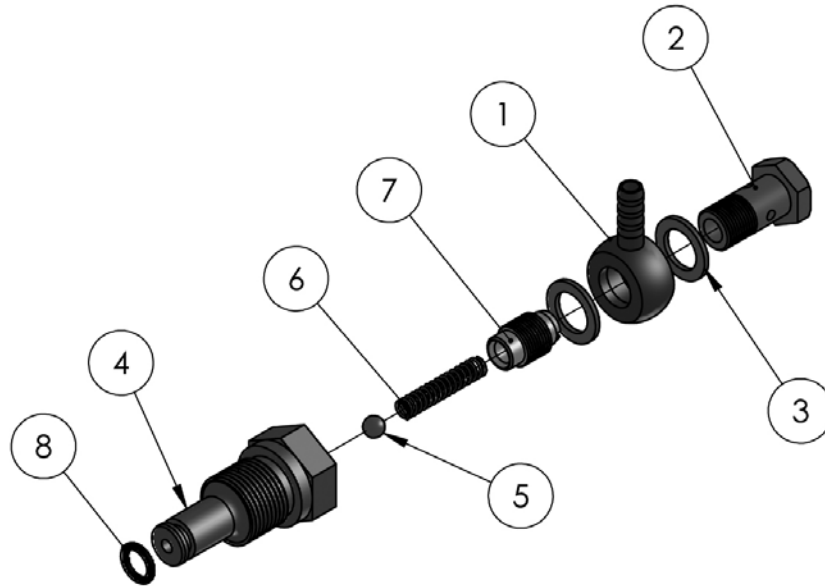
office (936)494-4200 • 1-800-409-0018 • fax (936)494-4517
www.Pileco.com • 491 Conroe Park W. Dr. • Conroe, TX 77303

Lube Pump Cylinder Complete



*each part number links to web site part

| ITEM NO. | PART NUMBER | DESCRIPTION | QTY. |
|----------|-------------|--------------------------------|------|
| 1 | 205020 | O RING 24 X 3 | 1 |
| 2 | 91357 | O RING 26 X 3 | 1 |
| 3 | 92952 | O RING 30 X 3 | 1 |
| 4 | 67283 | RING | 1 |
| 5 | 97325 | PRESSURE SPRING 22 X 52 X 2, 8 | 1 |

**Pressure Valve
Complete**


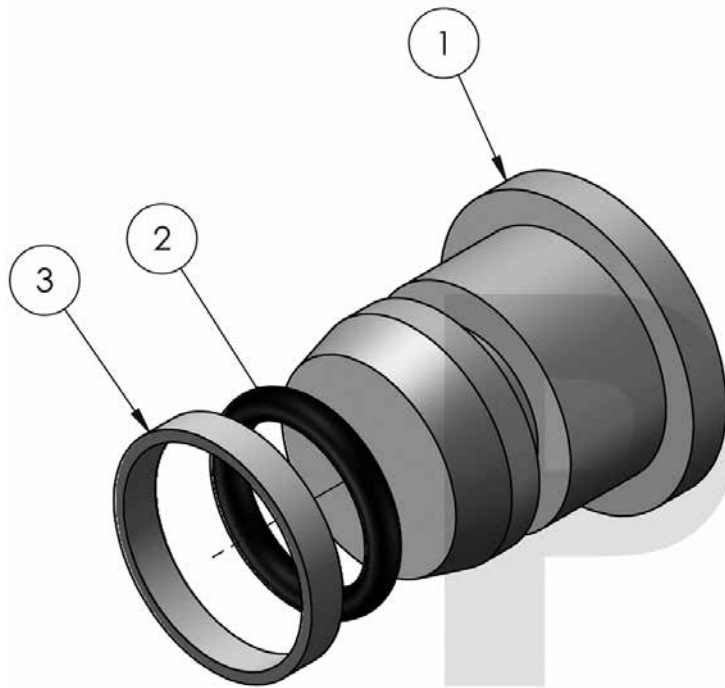
*each part number links to web site part

| ITEM NO. | PART NUMBER | DESCRIPTION | QTY. |
|----------|-------------|-------------------------------------|------|
| 1 | 97949 | RING NIPPLE | 1 |
| 2 | 97948 | HOLLOW SCREW A6 DIN 7623-6.8 | 1 |
| 3 | 91417 | SEALING RING A12 X 15.5 DIN 7603-CU | 2 |
| 4 | 108319 | ADAPTER | 1 |
| 5 | 90307 | BALL 6MM DIN 5401 | 1 |
| 6 | 190005 | PRESSURE SPRING 5 X 36 X 0.8 | 1 |
| 7 | 104679 | PLUG SCREW | 1 |
| 8 | 97855 | 8 X 2 O-RING | 1 |

**SOLD
TOGETHER**

PILECO, Inc.

office (936)494-4200 • 1-800-409-0018 • fax (936)494-4517
www.Pileco.com • 491 Conroe Park W. Dr. • Conroe, TX 77303

**Piston
Complete**


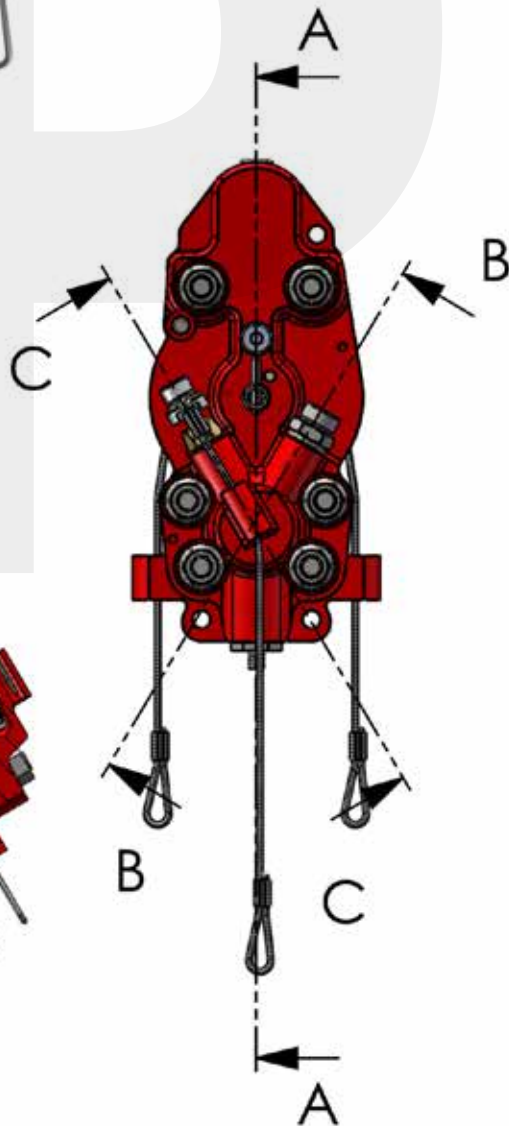
**each part number links to web site part*

| ITEM NO. | PART NUMBER | DESCRIPTION | QTY. |
|----------|-------------|-------------|------|
| 1 | 67285 | PISTON | 1 |
| 2 | 97326 | O RING | 1 |
| 3 | 97326 | SLIP RING | 1 |

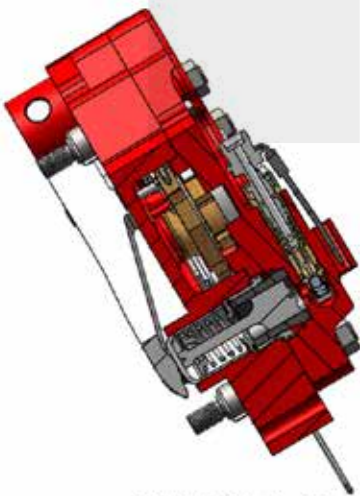
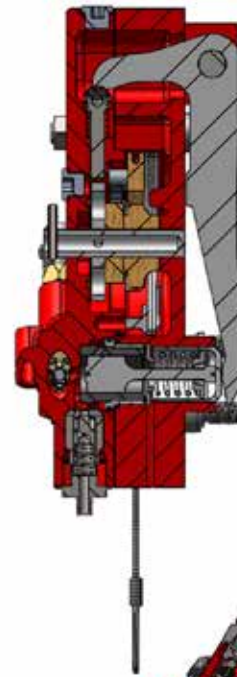
PILECO, Inc.

office (936)494-4200 • 1-800-409-0018 • fax (936)494-4517
 www.Pileco.com • 491 Conroe Park W. Dr. • Conroe, TX 77303

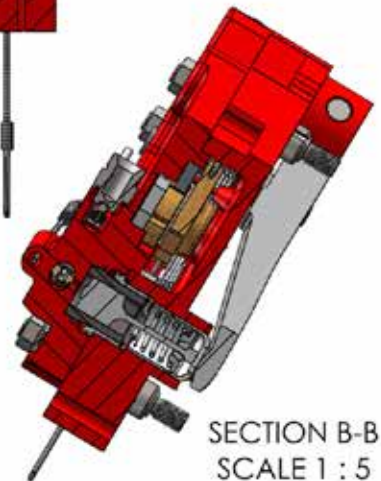
Manual Delivery Fuel Pump



SECTION A-A
SCALE 1 : 5

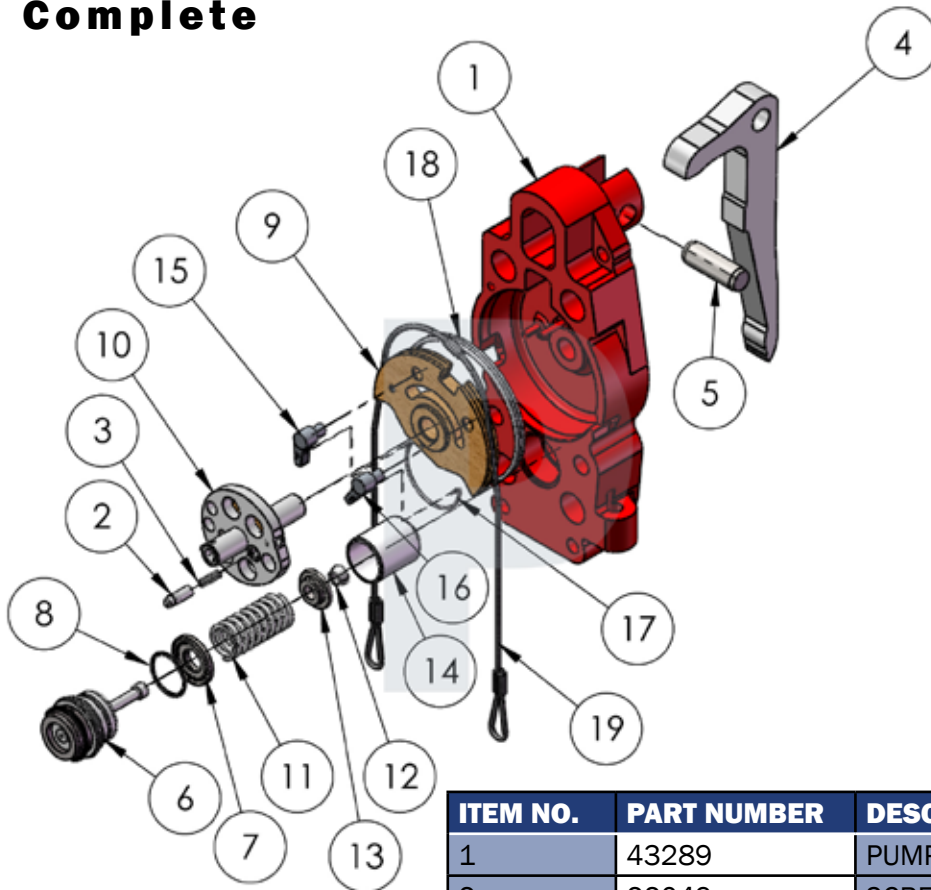


SECTION C-C
SCALE 1 : 5



SECTION B-B
SCALE 1 : 5

Variable Delivery Fuel Pump Complete



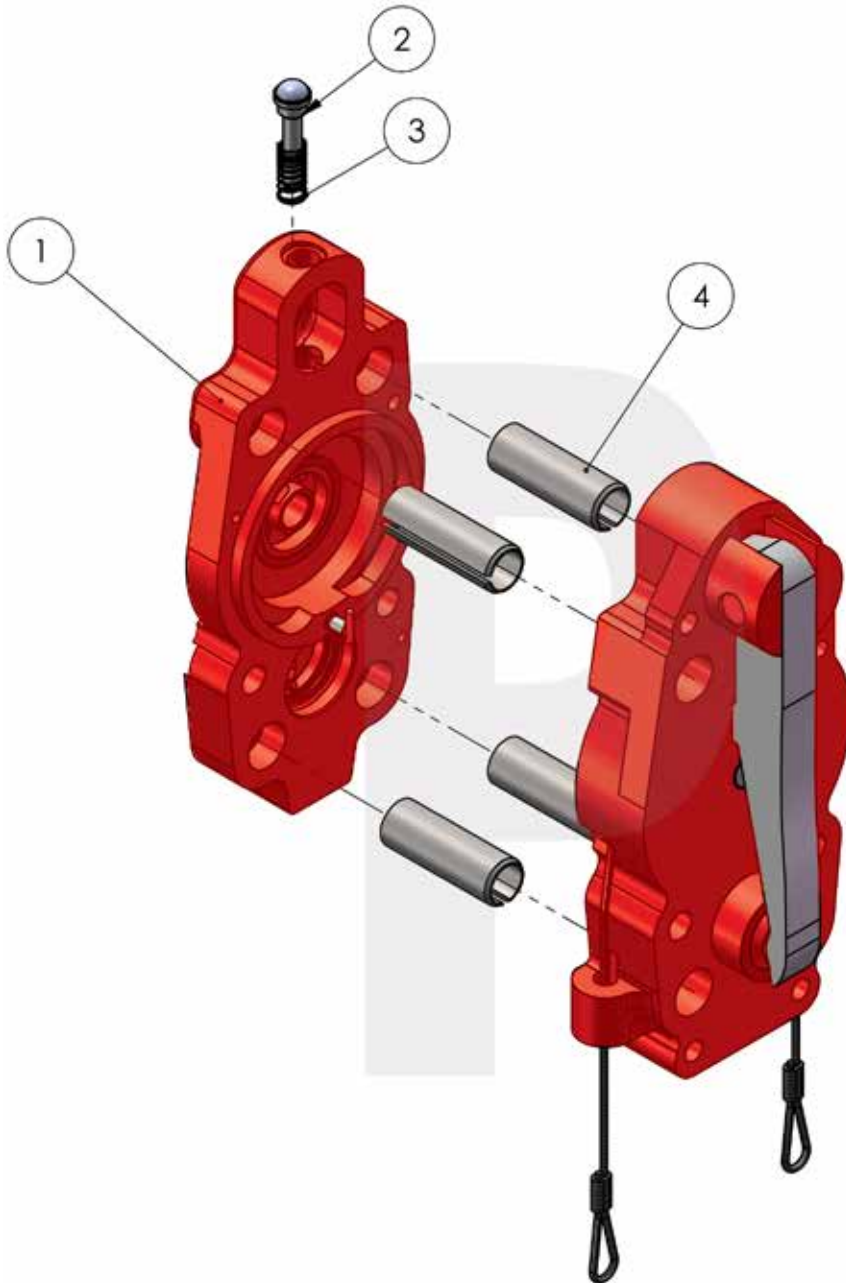
*each part number links to web site part

| ITEM NO. | PART NUMBER | DESCRIPTION | QTY. |
|----------|-------------|---------------------------------|------|
| 1 | 43289 | PUMP BODY | 1 |
| 2 | 22049 | SCREEN PIN | 1 |
| 3 | 22044 | PRESSURE SPRING 5.5 X 20 X 1.2 | 1 |
| 4 | 41869 | PUMP LEVER | 1 |
| 5 | 22043 | PUMP LEVER PIN | 1 |
| 6 | 122470 | D12 PUMP ELEMENT 15MM | 1 |
| 7 | 43994 | HOLDER RING | 1 |
| 8 | 92996 | ROUND SEALING RING 35 X 2.5 | 1 |
| 9 | 22040 | ROPE DISC | 1 |
| 10 | 43308 | SWITCH SHAFT | 1 |
| 11 | 22060 | PRESSURE SPRING 28 X 67.2 X 3.5 | 1 |
| 12 | 22059 | CONICAL RING 2 PCS | 1 |
| 13 | 22058 | SPRING RETAINING COLLAR | 1 |
| 14 | 43287 | GUIDE SLEEVE | 1 |
| 15 | 22051 | CAM | 1 |
| 16 | 22052 | CAM | 1 |
| 17 | 22245 | SPRING | 1 |
| 18 | 22062 | SWIVEL SPRING | 1 |
| 19 | 17546 | REGULATION ROPE | 1 |

PILECO, Inc.

office (936)494-4200 • 1-800-409-0018 • fax (936)494-4517
www.Pileco.com • 491 Conroe Park W. Dr. • Conroe, TX 77303

Variable Delivery Fuel Pump Complete

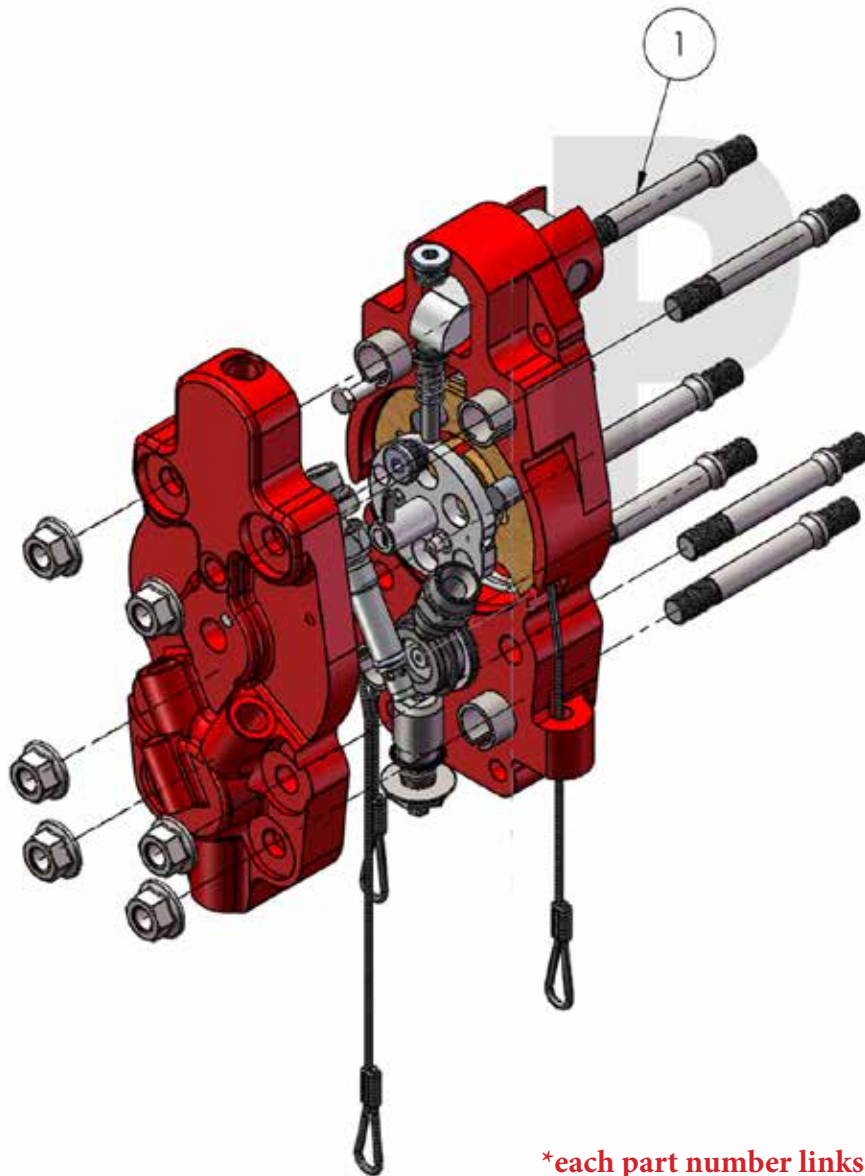


*each part number links to web site part

| ITEM NO. | PART NUMBER | DESCRIPTION | QTY. |
|----------|-------------|-------------------|------|
| 1 | 43291 | PUMP COVER | 1 |
| 2 | 62125 | PRESSURE PIECE | 1 |
| 3 | 22046 | PRESSURE SPRING | 1 |
| 4 | 94315 | DOWEL PIN 28 X 80 | 4 |

PILECO, Inc.

office (936)494-4200 • 1-800-409-0018 • fax (936)494-4517
 www.Pileco.com • 491 Conroe Park W. Dr. • Conroe, TX 77303

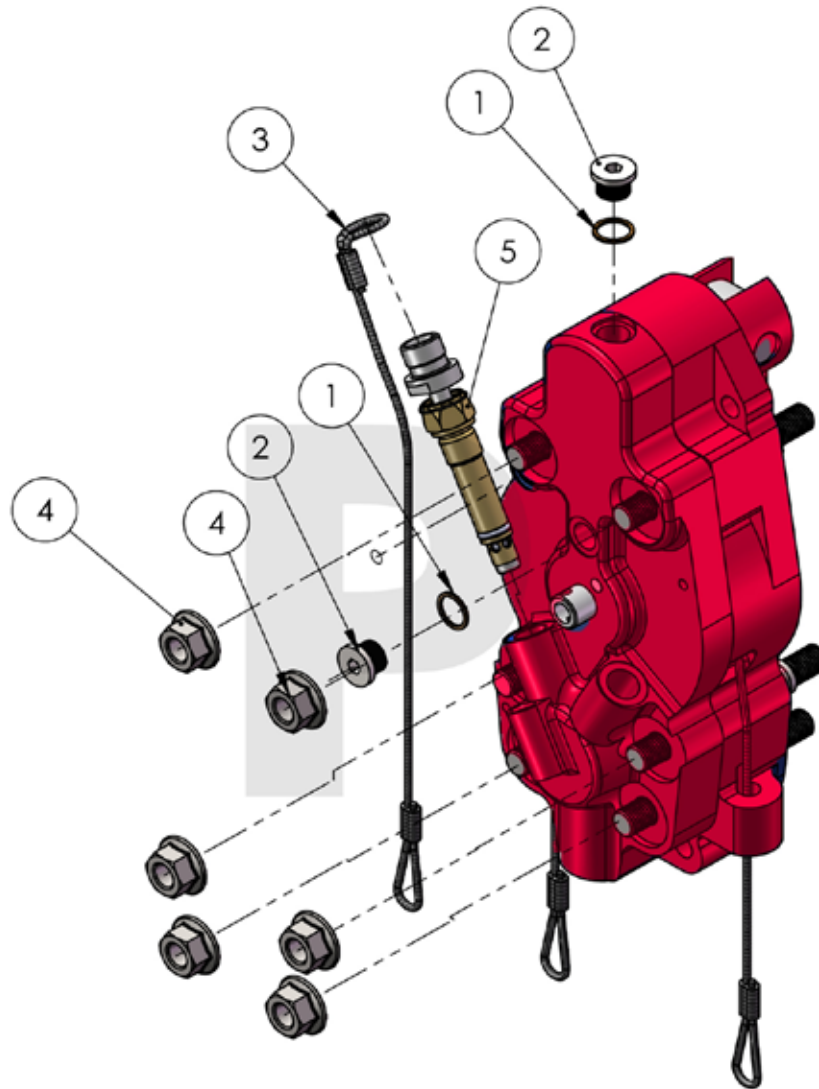
**Variable Delivery Fuel Pump
Complete**


*each part number links to web site part

| ITEM NO. | PART NUMBER | DESCRIPTION | QTY. |
|----------|-------------|---------------|------|
| 1 | 20189 | PUMP STUD M16 | 6 |

PILECO, Inc.

office (936)494-4200 • 1-800-409-0018 • fax (936)494-4517
 www.Pileco.com • 491 Conroe Park W. Dr. • Conroe, TX 77303

**Variable Delivery Fuel Pump
Complete**


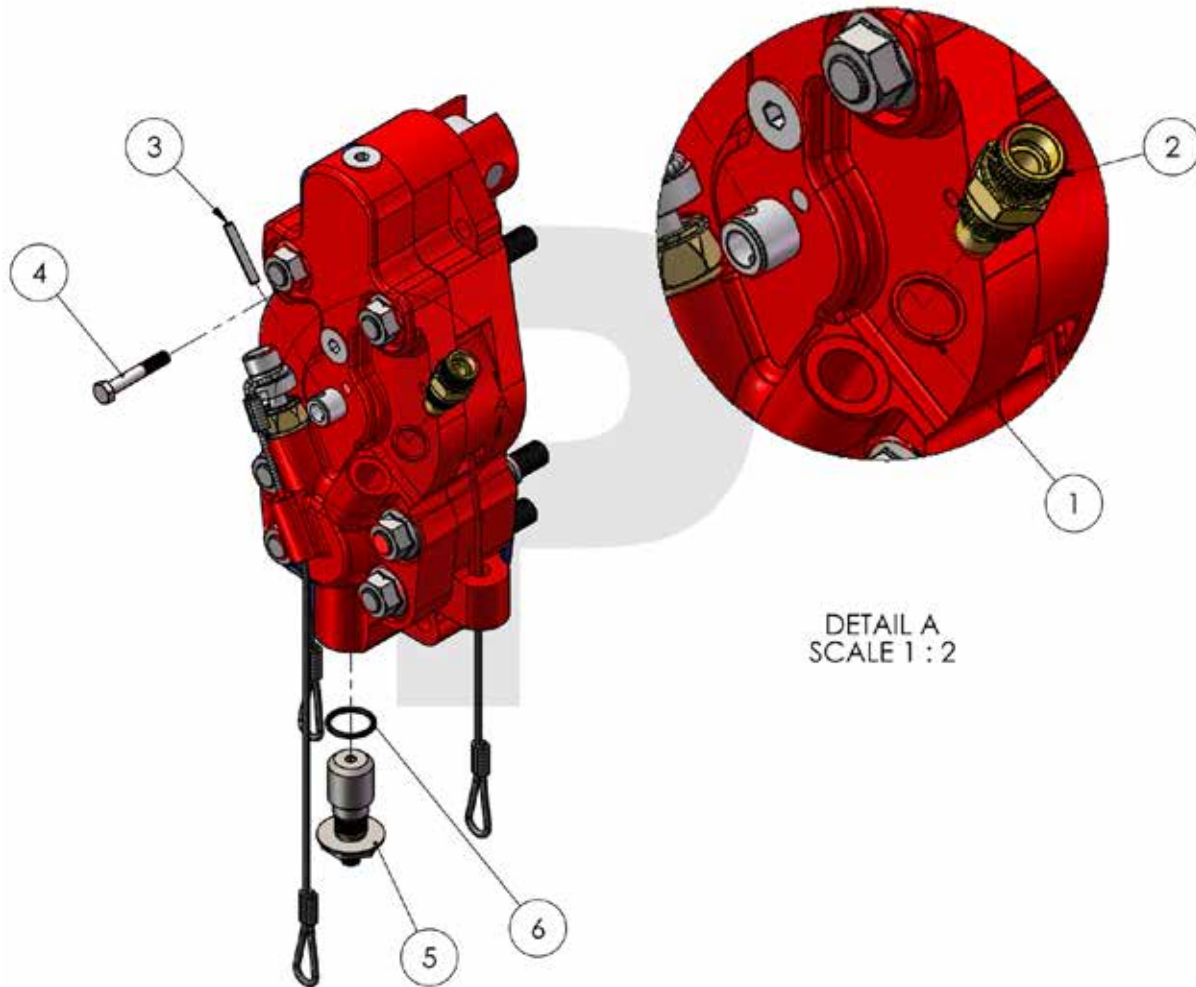
*each part number links to web site part

| ITEM NO. | PART NUMBER | DESCRIPTION | QTY. |
|----------|-------------|-----------------------|------|
| 1 | 90002 | SEALING RING A18 X 22 | 2 |
| 2 | 93055 | PLUG SCREW M18 X 1.5 | 2 |
| 3 | 17546 | REGULATING ROPE | 1 |
| 4 | 94722 | M16 WASHER NUT | 6 |
| 5 | 41868 | STOP VALVE COMPLETE | 1 |

PILECO, Inc.

office (936)494-4200 • 1-800-409-0018 • fax (936)494-4517
www.Pileco.com • 491 Conroe Park W. Dr. • Conroe, TX 77303

Variable Delivery Fuel Pump Complete

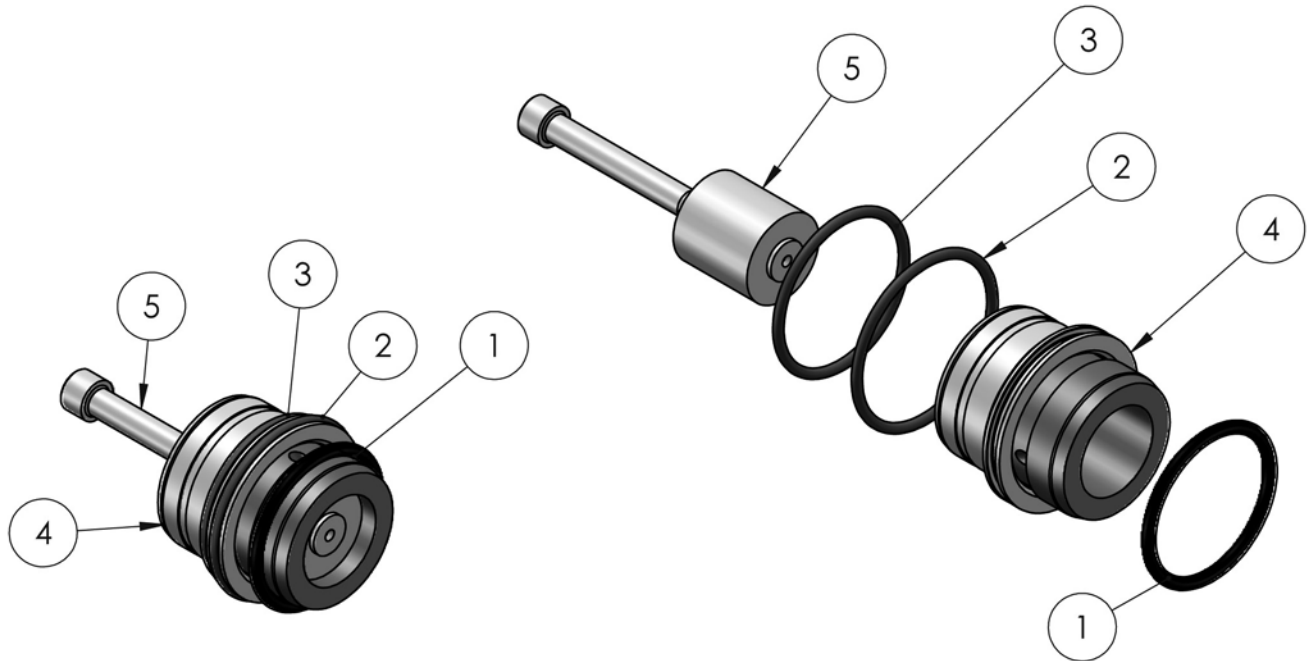


*each part number links to web site part

| ITEM NO. | PART NUMBER | DESCRIPTION | QTY. |
|----------|-------------|---------------------------------|------|
| 1 | 92031 | SEALING RING A20 X 24 | 1 |
| 2 | 41863 | SUCTION VALVE | 1 |
| 3 | 90150 | DOWEL PIN 6 X 40 | 1 |
| 4 | 93456 | LOCKING SCREW M8 X 50 | 1 |
| 5 | 43296 | CHECK NON-RETURN VALVE COMPLETE | 1 |
| 6 | 91296 | O-RING 22 X 3 | 1 |

PILECO, Inc.

office (936)494-4200 • 1-800-409-0018 • fax (936)494-4517
www.Pileco.com • 491 Conroe Park W. Dr. • Conroe, TX 77303

**15MM Pump Element
Complete**


*each circle links to web site part

Sold as one complete unit!

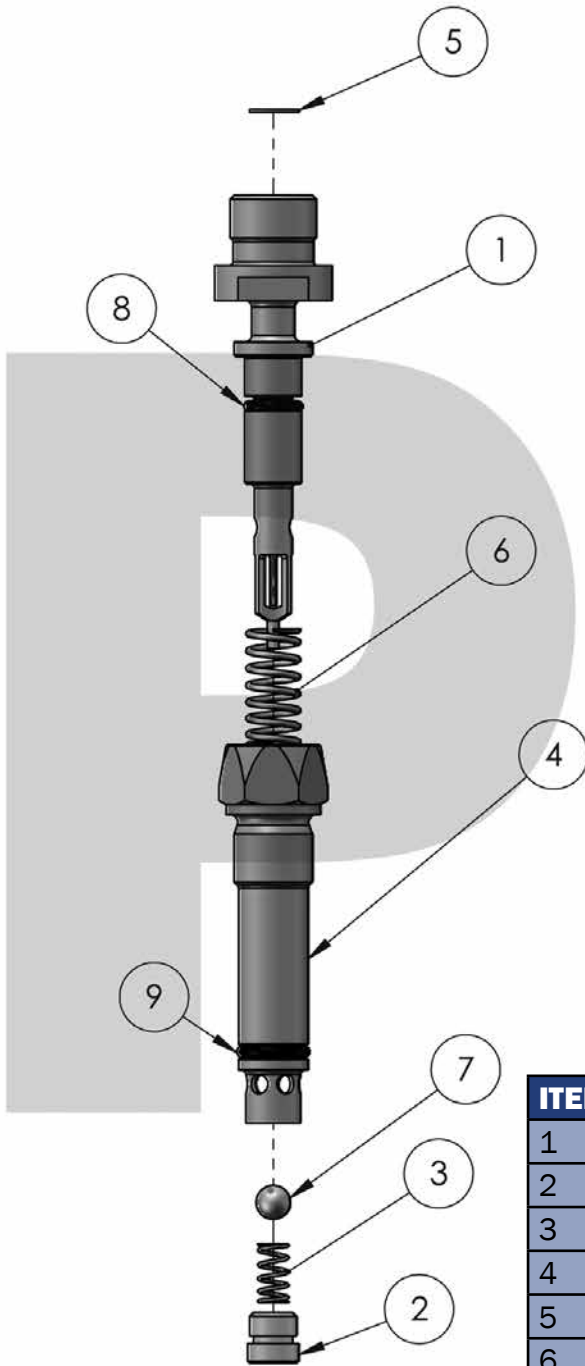
| ITEM NO. | PART NUMBER | DESCRIPTION | QTY. |
|----------|------------------------|----------------------|------|
| 1 | 95933 | O-RING 42 X 3 | 1 |
| 2 | 91322 | O-RING 44 X 3 | 1 |
| 3 | 91339 | O-RING 40 X 2.5 | 1 |
| 4 | 122470 | 15MM ELEMENT BODY | 1 |
| 5 | 122470 | 15MM ELEMENT PLUNGER | 1 |

TOGETHER

PILECO, Inc.

office (936)494-4200 • 1-800-409-0018 • fax (936)494-4517
www.Pileco.com • 491 Conroe Park W. Dr. • Conroe, TX 77303

Stop Valve Complete



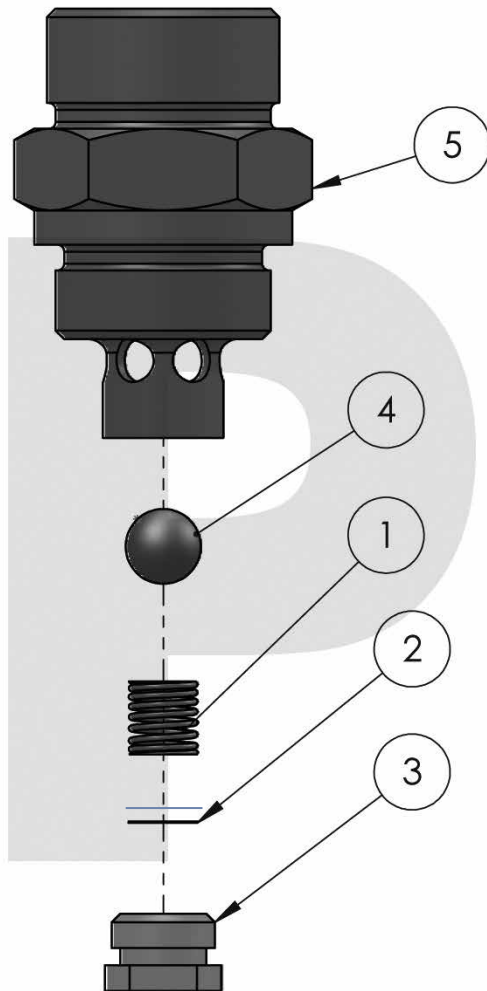
*each part number links to web site part

| ITEM NO. | PART NUMBER | DESCRIPTION | QTY. |
|----------|-------------|-----------------|------|
| 1 | 43138 | VALVE PISTON | 1 |
| 2 | 22021 | THREADED PLUG | 1 |
| 3 | 98929 | PRESSURE SPRING | 1 |
| 4 | 43130 | VALVE SCREW | 1 |
| 5 | 95768 | CIRCLIP 20 X 1 | 1 |
| 6 | 43279 | PRESSURE SPRING | 1 |
| 7 | 98511 | BALL 8.731MM | 1 |
| 8 | 91894 | O-RING 8 X 3 | 1 |
| 9 | 94316 | O-RING 12 X 3 | 1 |

PILECO, Inc.

office (936)494-4200 • 1-800-409-0018 • fax (936)494-4517
 www.Pileco.com • 491 Conroe Park W. Dr. • Conroe, TX 77303

Suction Valve Complete



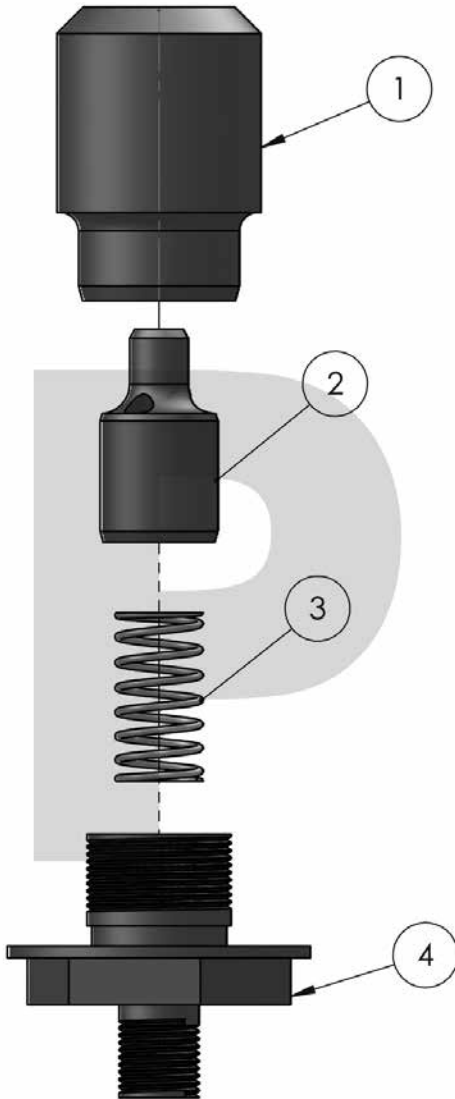
*each part number links to web site part

| ITEM NO. | PART NUMBER | DESCRIPTION | QTY. |
|----------|-------------|-------------------------------|------|
| 1 | 22022 | PRESSURE SPRING 7.3 X 8 X 0.7 | 1 |
| 2 | 22023 | WASHER | 2 |
| 3 | 41862 | THREADED PLUG | 1 |
| 4 | 98511 | BALL 8.731MM | 1 |
| 5 | 41861 | SLEEVE | 1 |

PILECO, Inc.

office (936)494-4200 • 1-800-409-0018 • fax (936)494-4517
 www.Pileco.com • 491 Conroe Park W. Dr. • Conroe, TX 77303

Check Non-Return Valve Complete



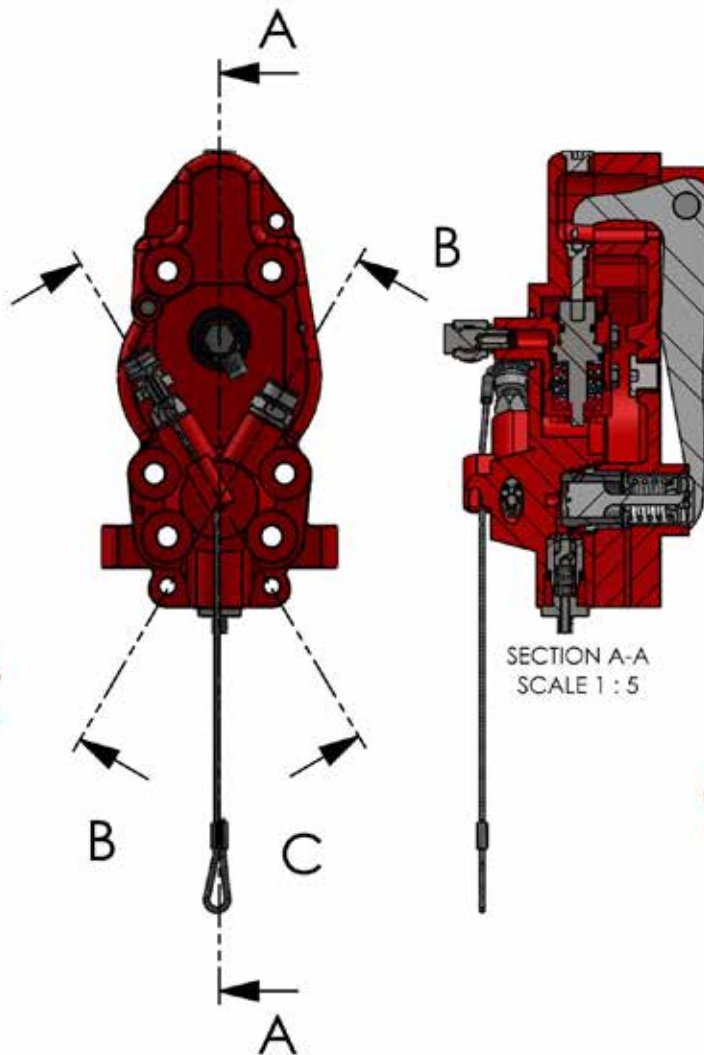
**each part number links to web site part*

| ITEM NO. | PART NUMBER | DESCRIPTION | QTY. |
|----------|-------------|------------------|------|
| 1 | 43297 | HOUSING | 1 |
| 2 | 43299 | VALVE PISTON | 1 |
| 3 | 22034 | PRESSURE SPRING | 1 |
| 4 | 43298 | RING TYPE NIPPLE | 1 |

PILECO, Inc.

office (936)494-4200 • 1-800-409-0018 • fax (936)494-4517
 www.Pileco.com • 491 Conroe Park W. Dr. • Conroe, TX 77303

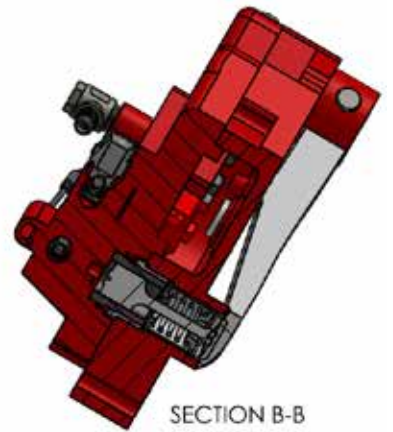
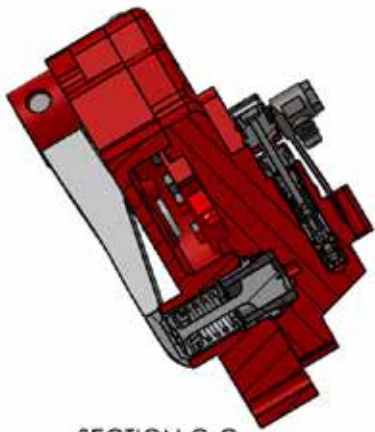
Hydraulic Delivery Fuel Pump



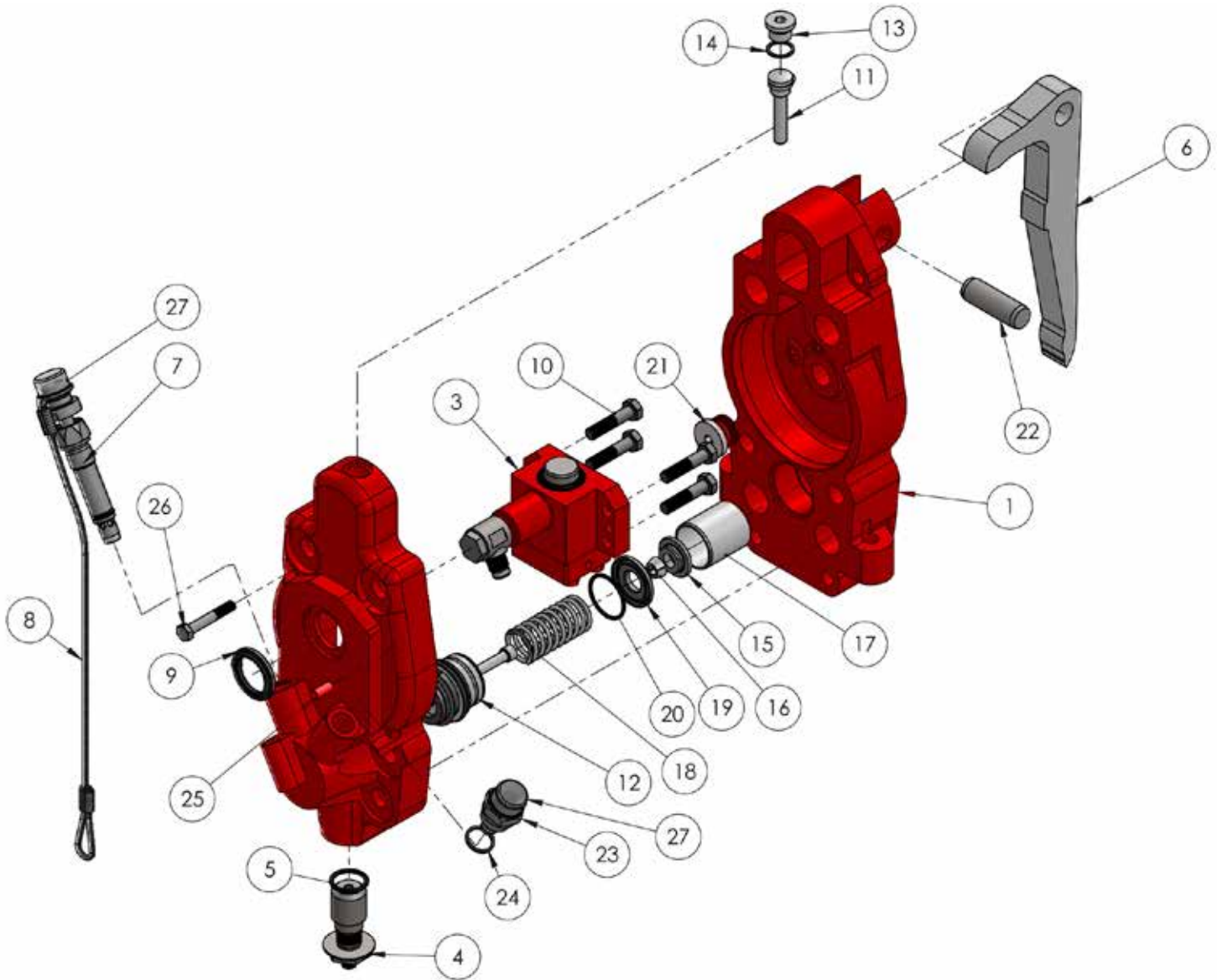
SECTION A-A
SCALE 1 : 5

SECTION C-C
SCALE 1 : 5

SECTION B-B
SCALE 1 : 5



Hydraulic Variable Delivery Fuel Pump Complete



Hydraulic Variable Fuel Pump Continued.....

PILECO, Inc.

office (936)494-4200 • 1-800-409-0018 • fax (936)494-4517
www.Pileco.com • 491 Conroe Park W. Dr. • Conroe, TX 77303

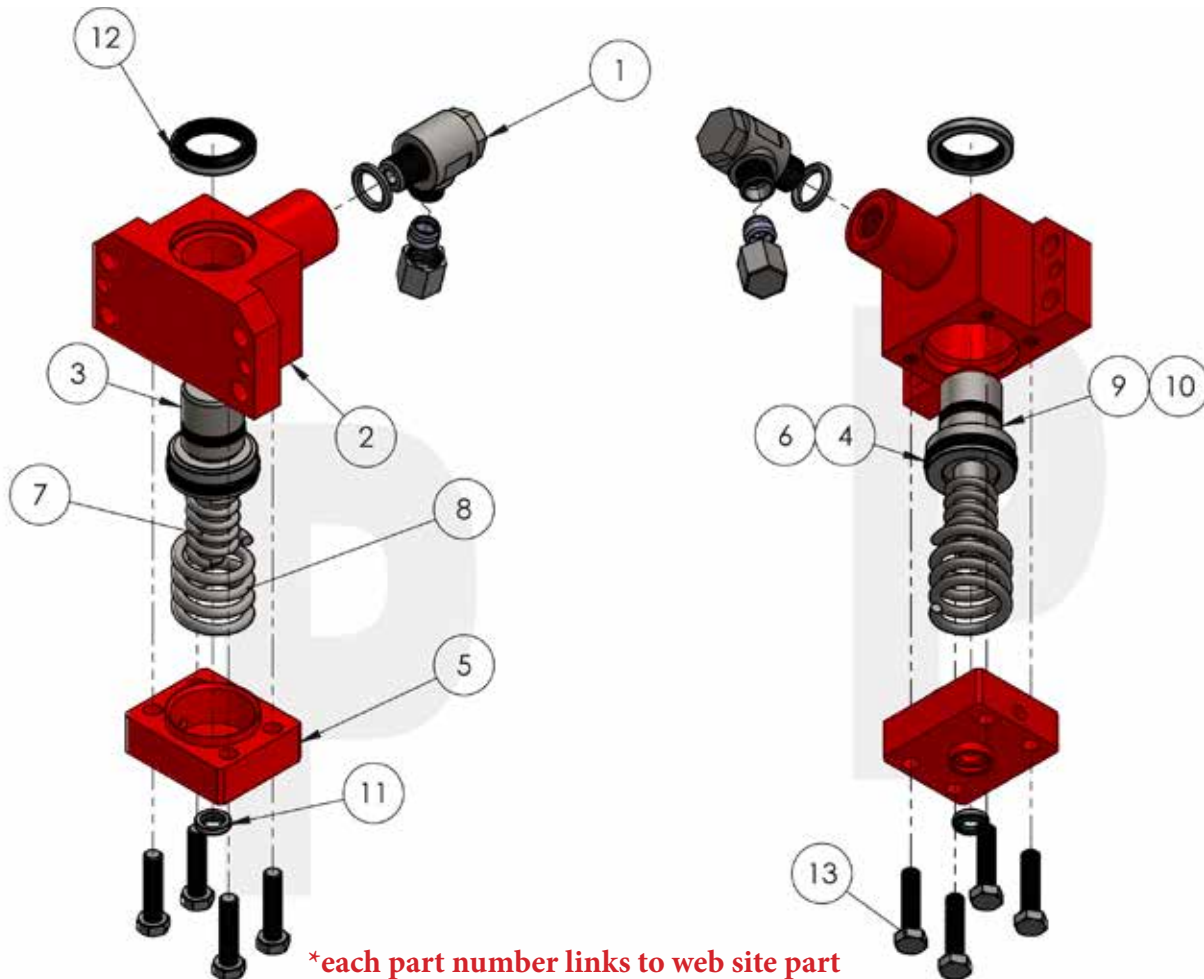
Hydraulic Variable Delivery Fuel Pump Complete

*each part number links to web site part

| ITEM NO. | PART NUMBER | DESCRIPTION | QTY. |
|----------|-------------|-----------------------------------|------|
| 1 | 205503 | PUMP BODY | 1 |
| 2 | 205508 | PUMP COVER | 1 |
| 3 | 122446-C | FUEL PUMP CONTROL COMPLETE | 1 |
| 4 | 43296 | CHECK NON RETURN VALVE COMPLETE | 1 |
| 5 | 91296 | O RING 22 X 3 | 1 |
| 6 | 41869 | PUMP LEVER | 1 |
| 7 | 41868 | STOP VALVE COMPLETE | 1 |
| 8 | 17546 | REGULATING ROPE | 1 |
| 9 | 205507 | DUST RING | 1 |
| 10 | 93414 | 10-1.5 X 30 HEX HEAD CAPSCREW 8.8 | 4 |
| 11 | 205501 | PRESSURE PIECE | 1 |
| 12 | 122470 | D12 PUMP ELEMENT 15MM | 1 |
| 13 | 93055 | PLUG SCREW 18 X 1.5 | 1 |
| 14 | 90002 | SEALING RING 18 X 22 | 1 |
| 15 | 22058 | SPRING RETAINING COLLAR | 1 |
| 16 | 22059 | CONICAL RING 2 PCS | 1 |
| 17 | 43287 | GUIDE SLEEVE | 1 |
| 18 | 22060 | PRESSURE SPRING 28 X 67.2 X 3.5 | 1 |
| 19 | 43995 | HOLDER RING | 1 |
| 20 | 92996 | ROUND SEALING RING 35 X 2.5 | 1 |
| 21 | 91885 | PLUG SCREW M26 X 1.5 | 1 |
| 22 | 22043 | PIN | 1 |
| 23 | 41863 | SUCTION VALVE | 1 |
| 24 | 92031 | SEALING RING A20 X 24 | 1 |
| 25 | 205506 | DOWEL PIN 8 X 20 | 1 |
| 26 | 93456 | LOCKING SCREW M8 X 50 | 1 |
| 27 | 93236 | PROTECTION CAP | 2 |

PILECO, Inc.

office (936)494-4200 • 1-800-409-0018 • fax (936)494-4517
www.Pileco.com • 491 Conroe Park W. Dr. • Conroe, TX 77303

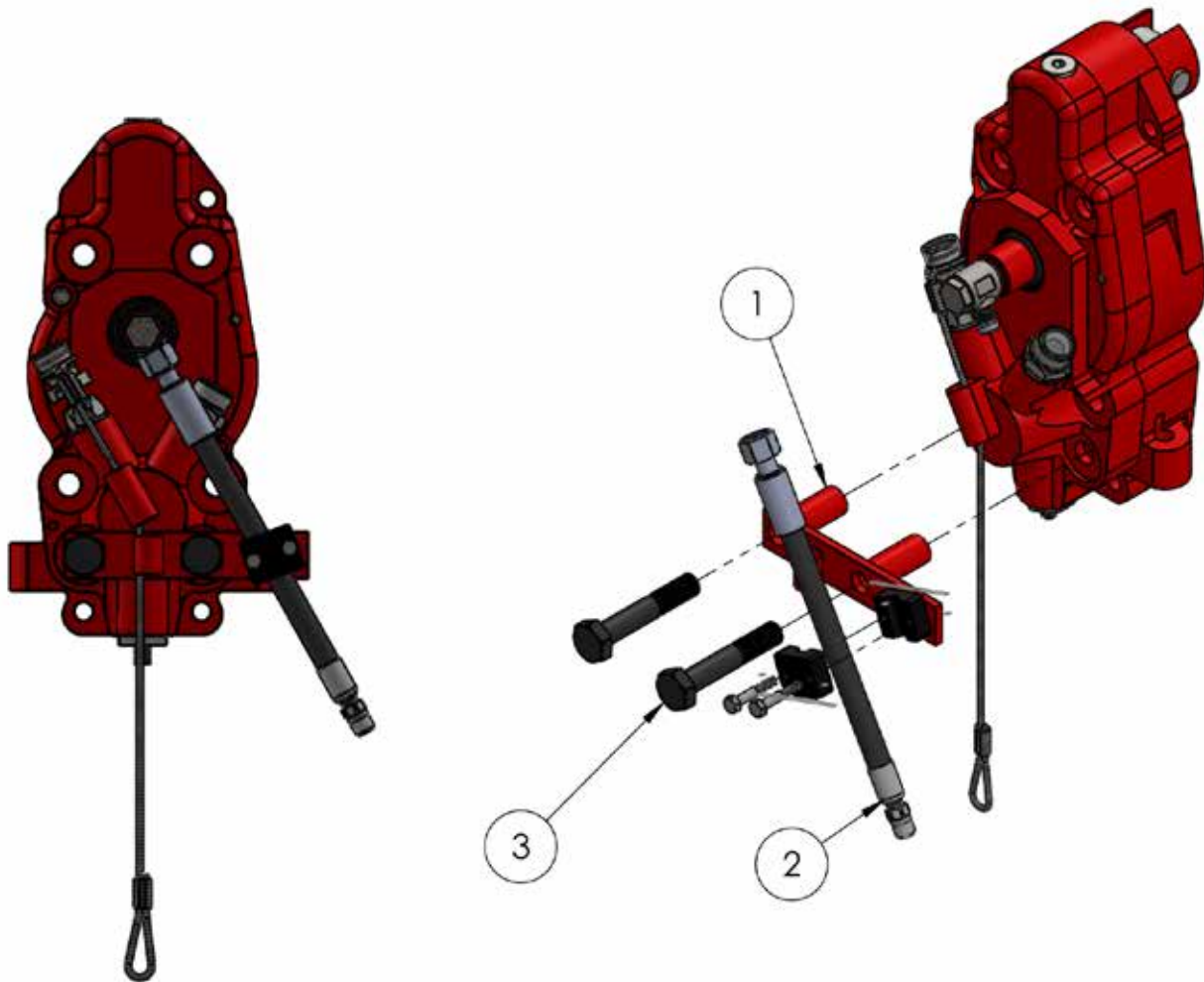
**Fuel Pump Control
Complete**


*each part number links to web site part

| ITEM NO. | PART NUMBER | DESCRIPTION | QTY. |
|----------|-------------|------------------------------------|------|
| 1 | 205509 | METRIC BITE TYPE FITTING M16 X 1.5 | 1 |
| 2 | 126538-C | CYLINDER | 1 |
| 3 | 126539 | PISTON | 1 |
| 4 | 193444 | O-RING 32.93 X 3.53 | 1 |
| 5 | 126537-C | COVER | 1 |
| 6 | 193446 | BACK UP RING | 1 |
| 7 | 193451 | PRESSURE SPRING | 1 |
| 8 | 193450 | PRESSURE SPRING | 1 |
| 9 | 193445 | O-RING 20.22 X 3.53 | 1 |
| 10 | 193447 | BACK UP RING | 1 |
| 11 | 193448 | ROD WIPER | 1 |
| 12 | 193449 | ROD WIPER | 1 |
| 13 | 94989 | 8-1.25 X 35 HEX HEAD CAPSCREW | 4 |

PILECO, Inc.

office (936)494-4200 • 1-800-409-0018 • fax (936)494-4517
www.Pileco.com • 491 Conroe Park W. Dr. • Conroe, TX 77303

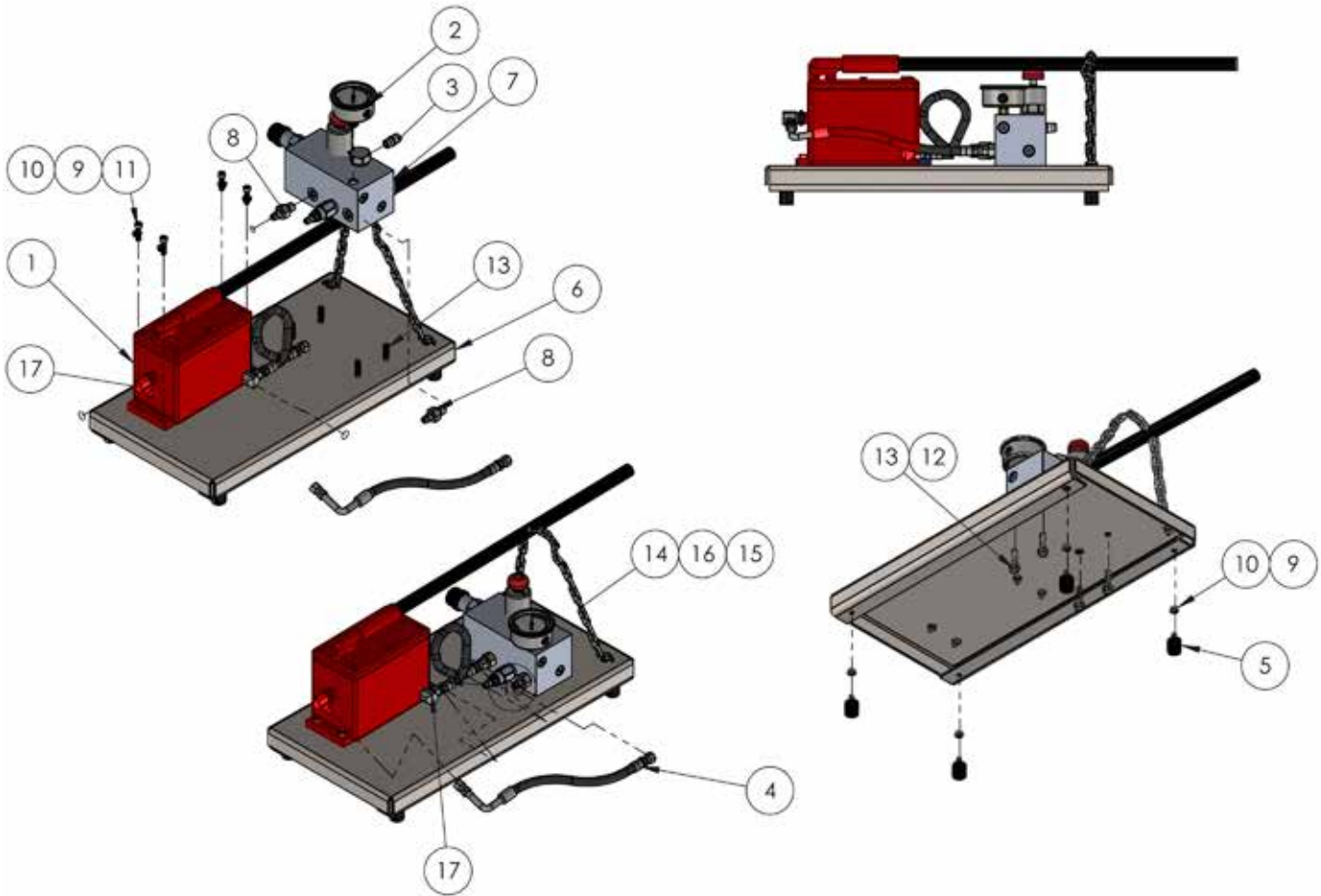
Pigtail Installment


| ITEM NO. | PART NUMBER | DESCRIPTION | QTY. |
|----------|-------------|--|------|
| 1 | 205505 | HYDRAULIC FUEL PUMP HOSE CLAMP | 1 |
| 2 | 8001063 | HYDRAULIC FUEL PUMP PIGTAIL HOSE | 1 |
| 3 | 205504 | 16MM-2.0 X 90MM HEX HEAD CAP SCREW 8.8 | 2 |

PILECO, Inc.

office (936)494-4200 • 1-800-409-0018 • fax (936)494-4517
 www.Pileco.com • 491 Conroe Park W. Dr. • Conroe, TX 77303

Hydraulic Hand Pump Assembly



Continued....

Hydraulic Hand Pump Assembly

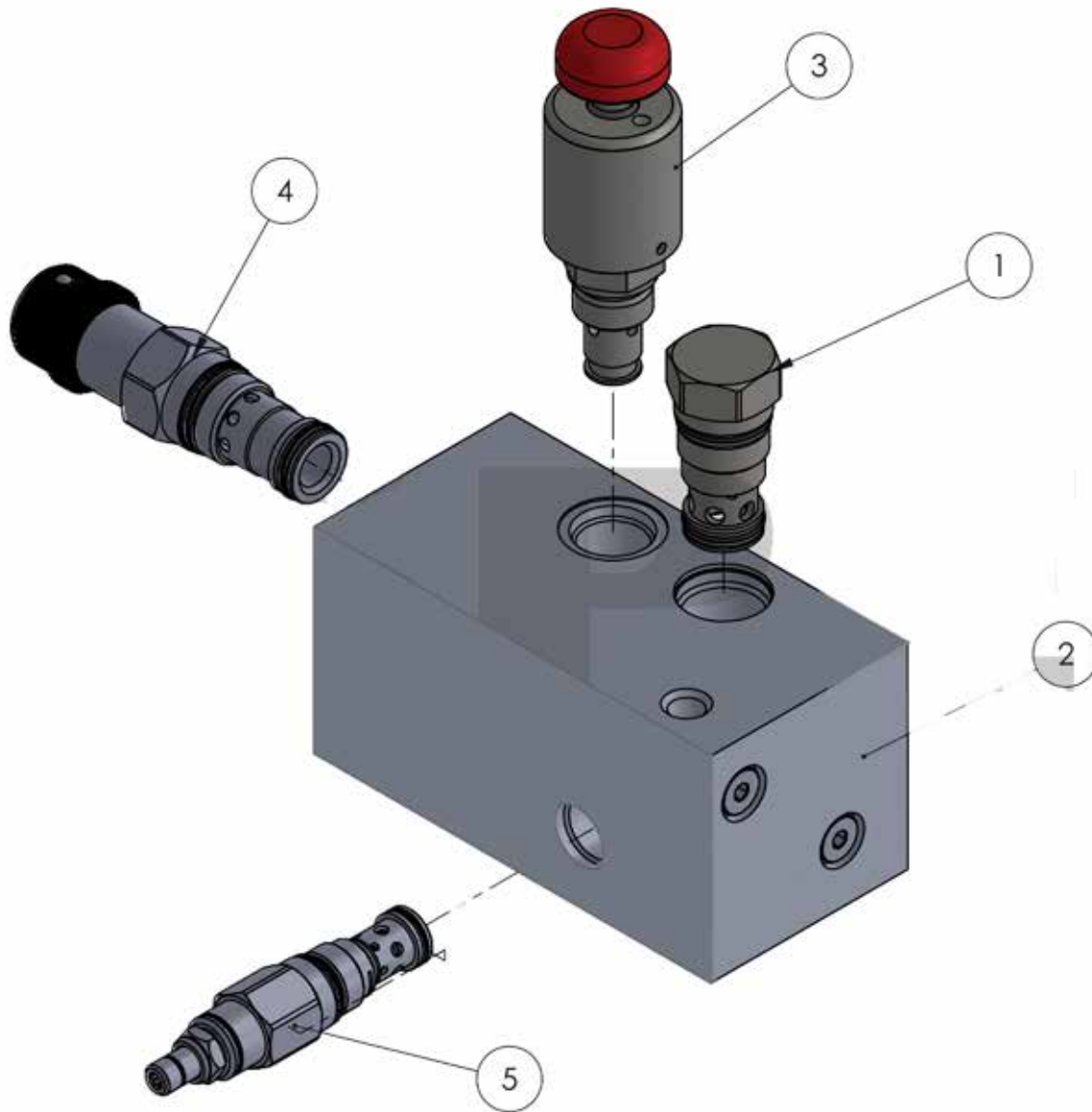
Hydraulic Hand Pump Continued....

*each part number links to web site part

| ITEM NO. | PART NUMBER | DESCRIPTION | QTY. |
|----------|-------------|---|------|
| 1 | 55107 | P-51 ENERPAC PUMP | 1 |
| 2 | 55120 | G25-SL600-CB SS PRESSURE GAUGE | 1 |
| 3 | 55121 | 4SAE MALE TO 1/4 NPT MALE ADAPTER | 1 |
| 4 | 55104 | 1/4 JIC FEMALE SWIVEL FITTING TO 1/4 JIC FEMALE SWIV- EL 1/4 PRESSURE HOSE | 1 |
| 5 | 55122 | RUBBER FOOT 1" X 1"-1/4-20 X 3/4 BOLT | 4 |
| 6 | 55105 | PLATE | 1 |
| 7 | 55103 | MANIFOLD COMPLETE | 1 |
| 8 | 55123 | 4 SAE MALE TO 1/4 JIC MALE STRAIGHT ADAPTER | 2 |
| 9 | 55124 | M6 SPLIT LOCKWASHER | 14 |
| 10 | 55125 | M6-1.0 JAM NUT | 10 |
| 11 | 55126 | 6-1.0 X 25 SOCKET HEAD CAPSCREW | 4 |
| 12 | 55127 | 8MM SPLIT LOCKWASHERS | 4 |
| 13 | 55128 | 8-1.25 X 30 HEX HEAD CAPSCREW | 4 |
| 14 | 55108 | CHAIN LINK #2/0 X 16" | 1 |
| 15 | 55129 | 6MM FLAT WASHER | 2 |
| 16 | 55130 | 6-1.0 X 20 HEX HEAD CAPSCREW | 2 |
| 17 | 55131 | 3/8 NPT MALE TO 1/4 JIC MALE 90 ADAPTER | 2 |
| 18 | 55109 | 1/4 JIC FEMALE SWIVEL FITTING TO 1/4 JIC FEMALE SWIV- EL HOSE TO TANK | 1 |

PILECO, Inc.

office (936)494-4200 • 1-800-409-0018 • fax (936)494-4517
www.Pileco.com • 491 Conroe Park W. Dr. • Conroe, TX 77303

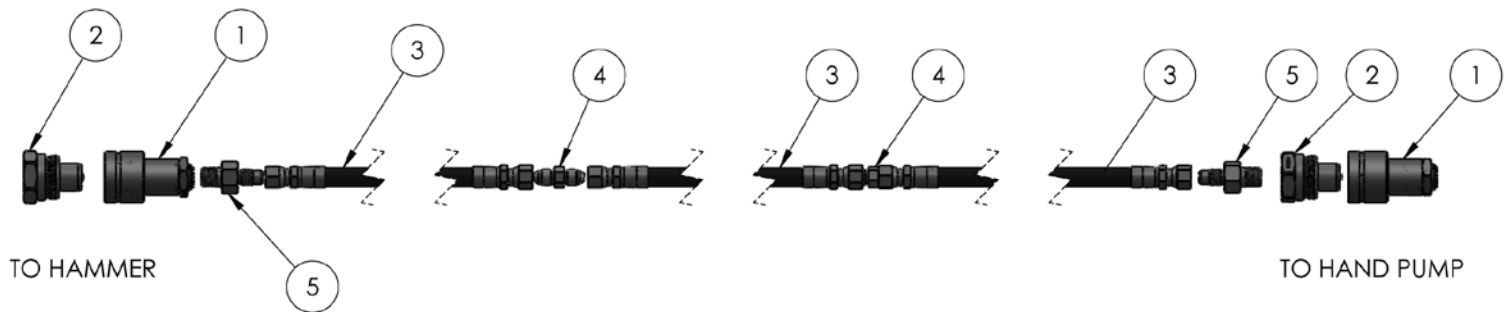
**Manifold
Complete**


**each part number links to web site part*

| ITEM NO. | PART NUMBER | DESCRIPTION | QTY. |
|----------|-------------|--------------------------|------|
| 1 | 55110 | CXFA-XCN DIRECTION CHECK | 1 |
| 2 | 55106 | MANIFOLD | 1 |
| 3 | 55111 | DOERING DUMP VALVE | 1 |
| 4 | 55112 | NEEDLE VALVE | 1 |
| 5 | 55113 | RELIEF VALVE | 1 |

PILECO, Inc.

office (936)494-4200 • 1-800-409-0018 • fax (936)494-4517
 www.Pileco.com • 491 Conroe Park W. Dr. • Conroe, TX 77303

**HAND PUMP 1/4" HOSE ASSEMBLY
150FT IN 50FT SECTIONS**


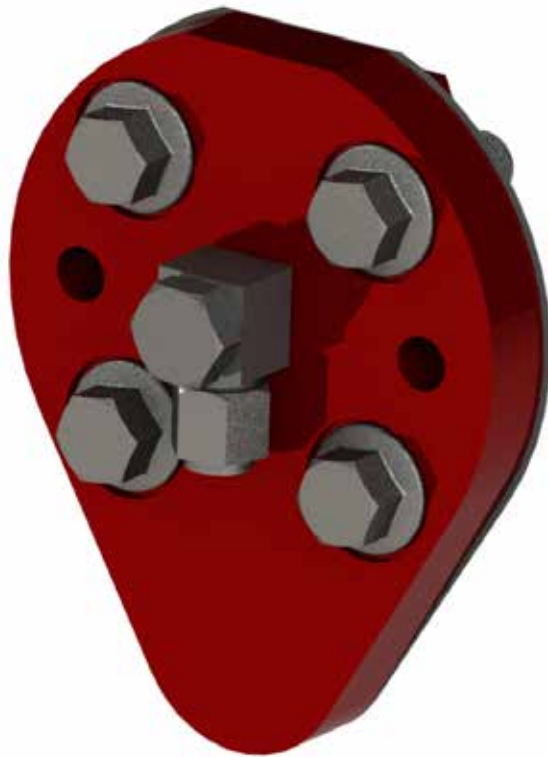
**each part number links to web site part*

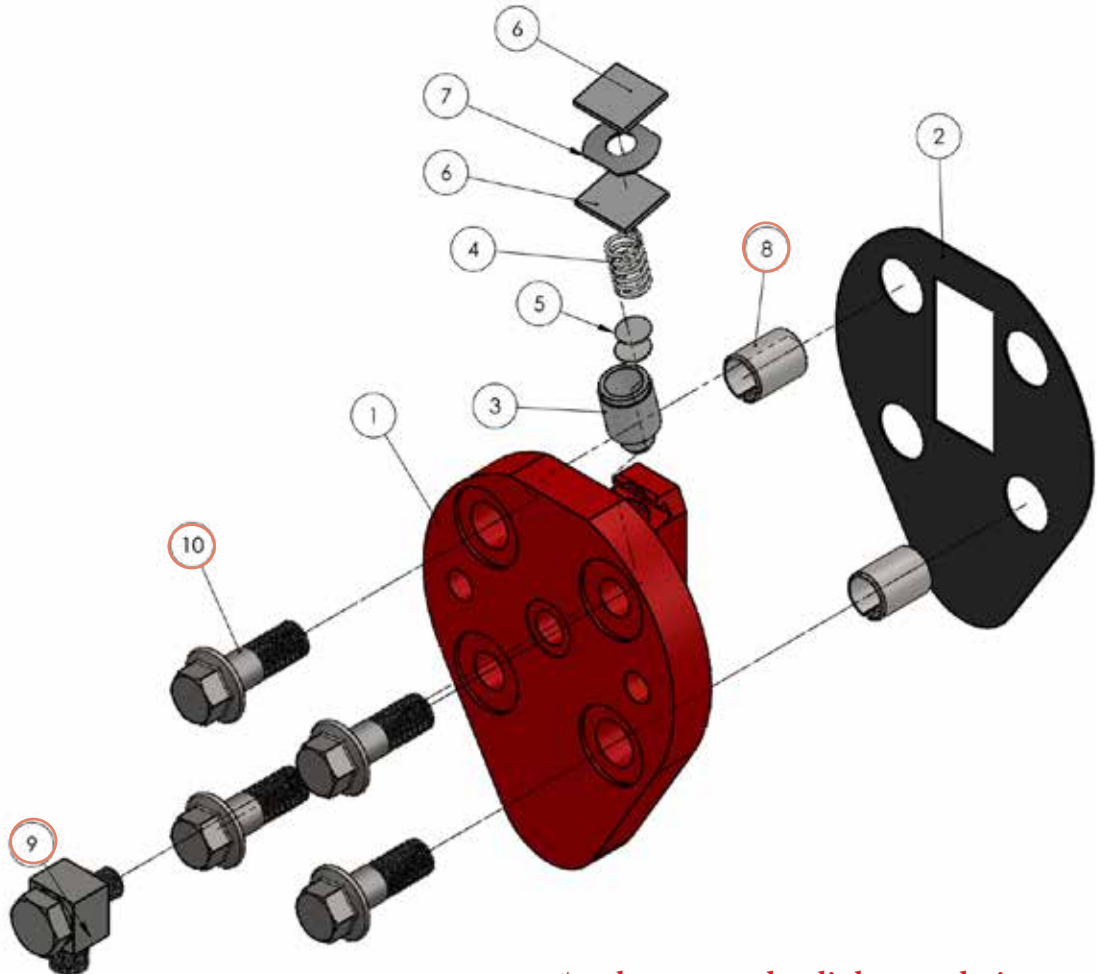
| ITEM NO. | PART NUMBER | DESCRIPTION | QTY. |
|----------|-------------|---|------|
| 1 | 55133 | 1/4" COUPLER NPFT SCREW TYPE QUICK DISCONNECT FEMALE | 2 |
| 2 | 55134 | 1/4" 3000 SERIES NIPPLE NPFT SCREW TYPE QUICK DISCONNECT MALE | 2 |
| 3 | 8000440 | 4 FEMALE JIC TO 4 FEMALE JIC 1/4 HOSE 50FT | 3 |
| 4 | 55137 | 4 JIC MALE TO 4 JIC MALE STRAIGHT ADAPTER | 2 |
| 5 | 8001067 | 1/4 NPT MALE TO 1/4 JIC MALE STRAIGHT ADAPTER | 2 |

PILECO, Inc.

office (936)494-4200 • 1-800-409-0018 • fax (936)494-4517
www.Pileco.com • 491 Conroe Park W. Dr. • Conroe, TX 77303

Fuel Injection



**Fuel Injection Valve
Complete**


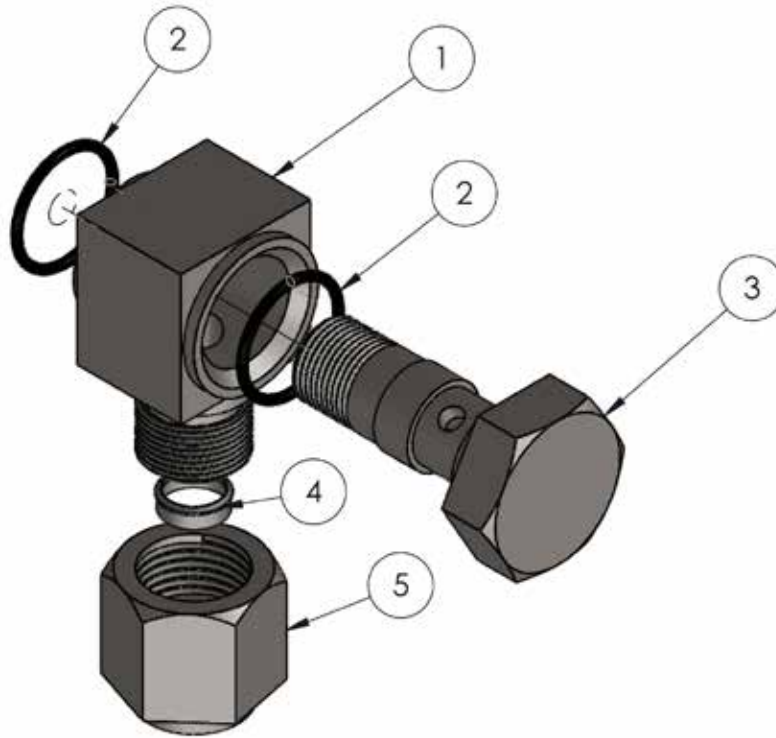
*each part number links to web site part

| ITEM NO. | PART NUMBER | DESCRIPTION | QTY. |
|---------------------------|-------------|-----------------------------|------|
| 1 | 102133 | INJECTION PLATE | 1 |
| 2 | 45647 | GASKET | 1 |
| 3 | 63843 | VALVE PISTON | 1 |
| 4 | 97569 | PRESSURE SPRING | 1 |
| 5 | 97573 | ADJUSTING WASHER | 2 |
| 6 | 64460 | LOCKING PLATE | 2 |
| 7 | 64461 | SPRING WASHER | 1 |
| 8 sold separately | 95633 | DOWEL PIN 21 X 28 DIN 7346 | 2 |
| 9 sold separately | 97038 | THREADED PIPE JOINT (UNION) | 1 |
| 10 sold separately | 95639 | LOCKING SCREW M16 X 45 | 4 |

PILECO, Inc.

office (936)494-4200 • 1-800-409-0018 • fax (936)494-4517
www.Pileco.com • 491 Conroe Park W. Dr. • Conroe, TX 77303

Threaded Pipe Joint Complete



NOTE: ITEM SHOULD BE REPLACED WITH NEW PIPE JOINT COMPLETE WHEN REMOVED FOR SERVICING

#1 SOLD COMPLETE

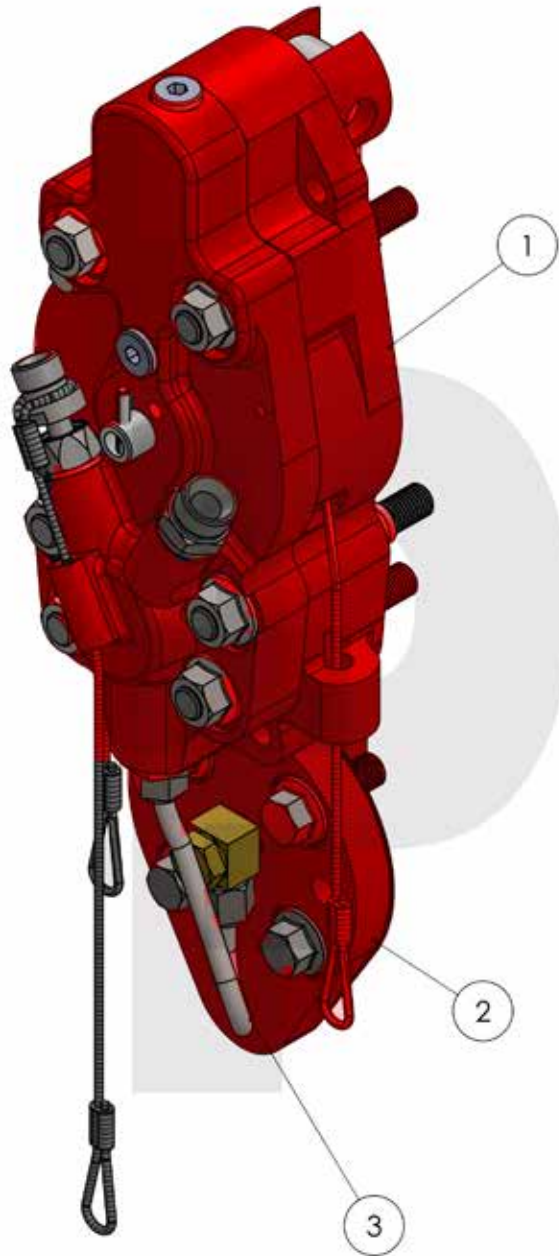
**each part number links to web site part*

| ITEM NO. | PART NUMBER | DESCRIPTION | QTY. |
|----------|---------------|---------------------|----------|
| 1 | 97038 | THREADED PIPE JOINT | 1 |
| 2 | 97258 | O RING 17 X 1.5 | 2 |
| 3 | 210405 | HOLLOW SCREW | 1 |
| 4 | 90127 | OLIVE | 1 |
| 5 | 204012 | UNION NUT M16X1.5 | 1 |

SOLD TOGETHER

PILECO, Inc.

office (936)494-4200 • 1-800-409-0018 • fax (936)494-4517
 www.Pileco.com • 491 Conroe Park W. Dr. • Conroe, TX 77303

**Fuel Injection Device
Complete**


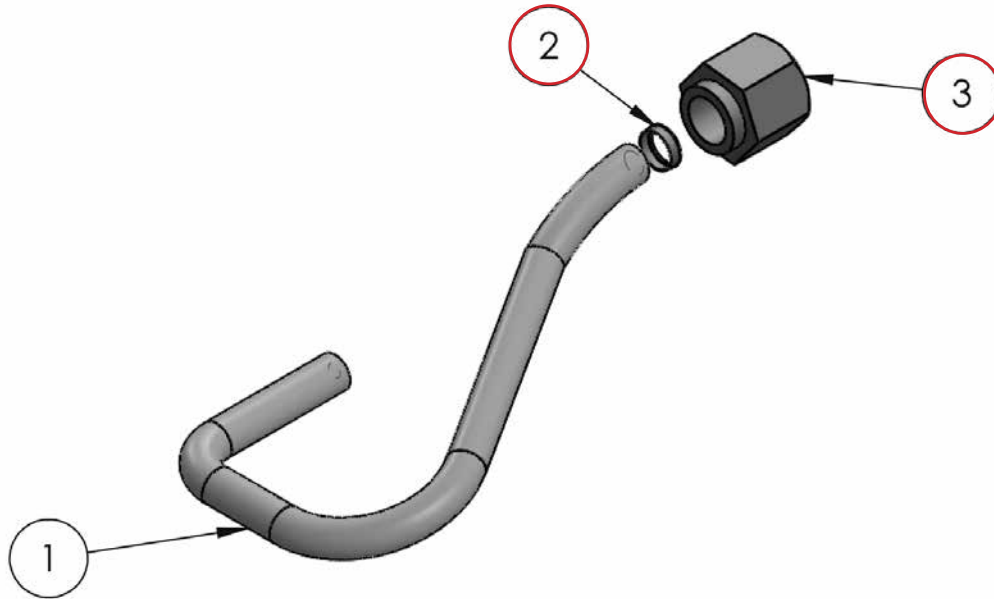
*each part number links to web site part

| ITEM NO. | PART NUMBER | DESCRIPTION | QTY. |
|----------|-------------|---------------------------------|------|
| 1 | 122469 | VARIABLE-DELIVERY FUEL PUMP D12 | 1 |
| 2 | 104675 | INJECTION VAVLE COMPLETE | 1 |
| 3 | 104974 | FUEL TUBE | 1 |

PILECO, Inc.

office (936)494-4200 • 1-800-409-0018 • fax (936)494-4517
www.Pileco.com • 491 Conroe Park W. Dr. • Conroe, TX 77303

Fuel Tube Assembly



NOTE: FUEL TUBE , NUT, AND OLIVE SHALL BE REPLACED IF REMOVED DURING SERVICE

**DO NOT OVER TIGHTEN COMPRESSION NUTS
DAMAGE TO TUBE MAY OCCUR!**

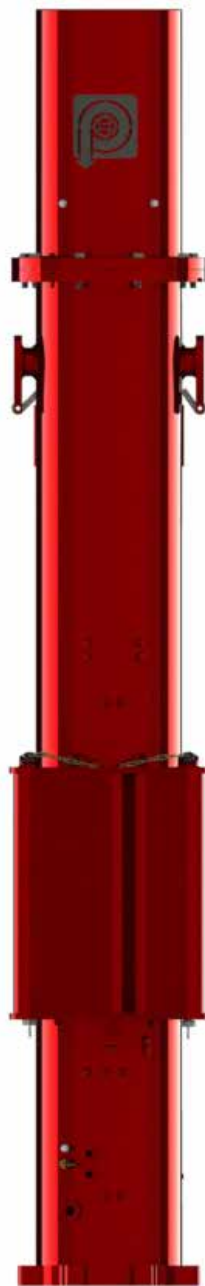
*each part number links to web site part

| ITEM NO. | PART NUMBER | DESCRIPTION | QTY. |
|--------------------------|-------------|-------------------|------|
| 1 | 104974 | FUEL TUBE | 1 |
| 2 sold separately | 90127 | OLIVE | 1 |
| 3 sold separately | 90128 | UNION NUT M18X1.5 | 1 |

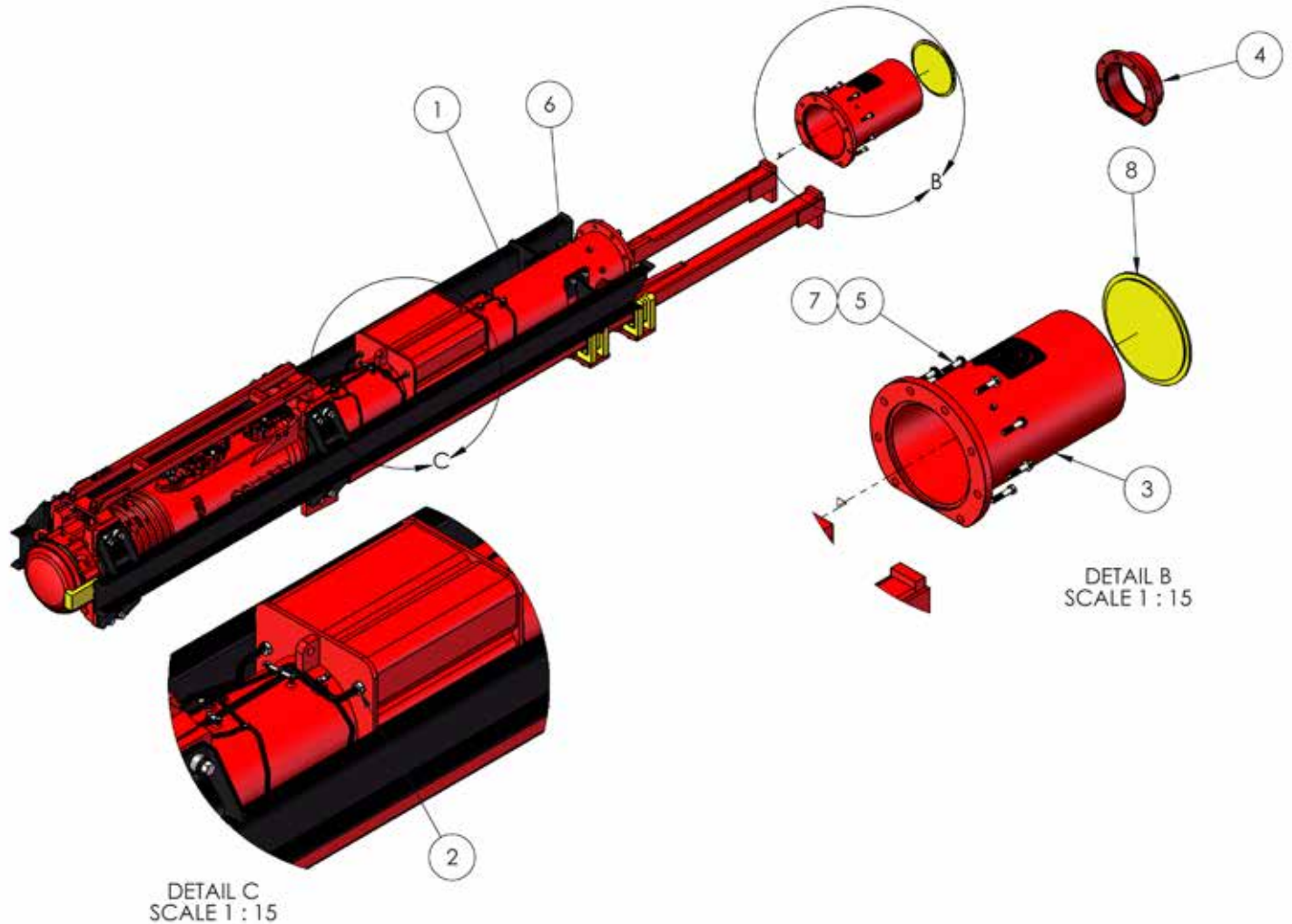
PILECO, Inc.

office (936)494-4200 • 1-800-409-0018 • fax (936)494-4517
www.Pileco.com • 491 Conroe Park W. Dr. • Conroe, TX 77303

Upper Cylinder



Upper Cylinder Complete



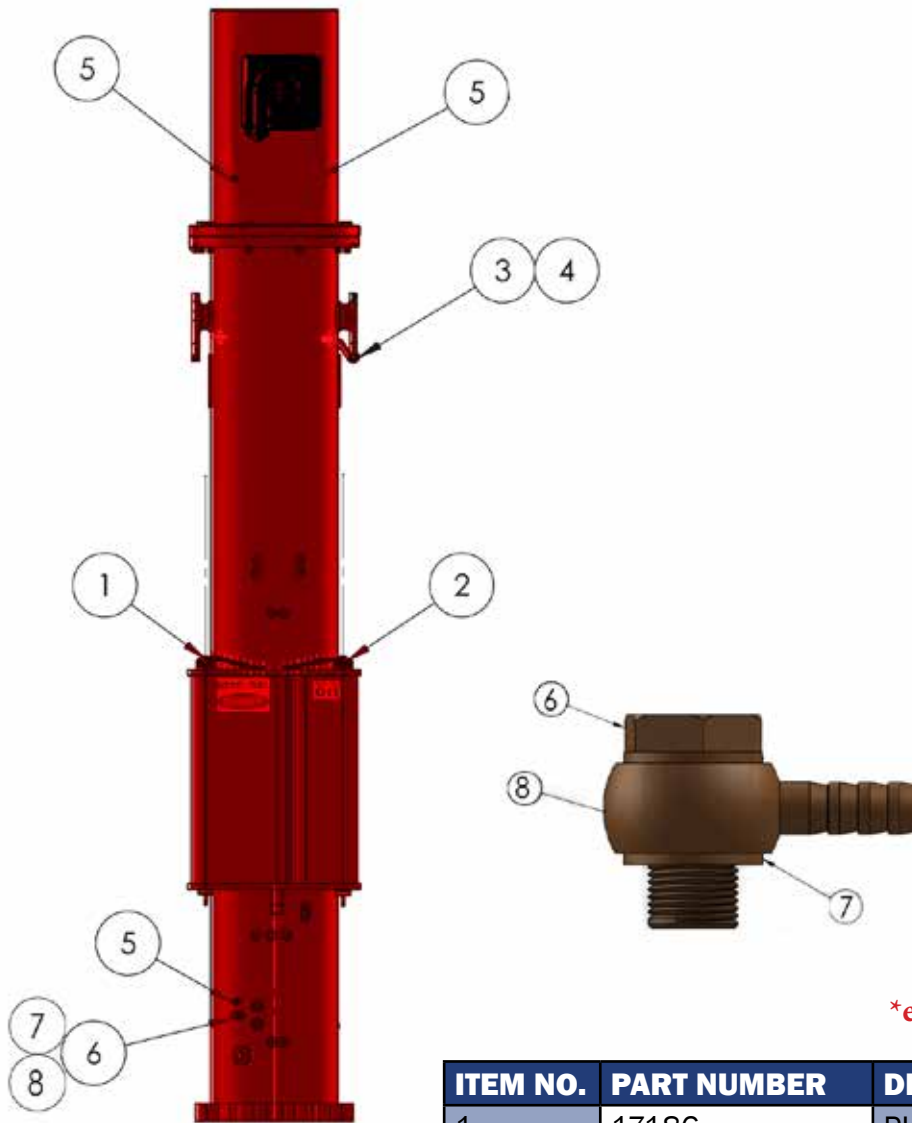
*each part number links to web site part

| ITEM NO. | PART NUMBER | DESCRIPTION | QTY. |
|----------|-------------|---------------------------------|------|
| 1 | 202003 | UPPER CYLINDER | 1 |
| 2 | 64403 | FILTER ELBOW | 2 |
| 3 | 202004 | UPPER ENDRING (LONG VERSION) | 1 |
| 4 | 202008 | UPPER ENDRING (SHORT VERSION) | 1 |
| 5 | 202005 | 16MM-2.0 X 75 HEX HEAD CAPSCREW | 8 |
| 6 | 202006 | 16MM-2.0 HEAVY HEX NUT | 8 |
| 7 | 202007 | WASHER | 8 |
| 8 | 119050 | RAIN COVER | 1 |

PILECO, Inc.

office (936)494-4200 • 1-800-409-0018 • fax (936)494-4517
 www.Pileco.com • 491 Conroe Park W. Dr. • Conroe, TX 77303

Upper Cylinder Complete

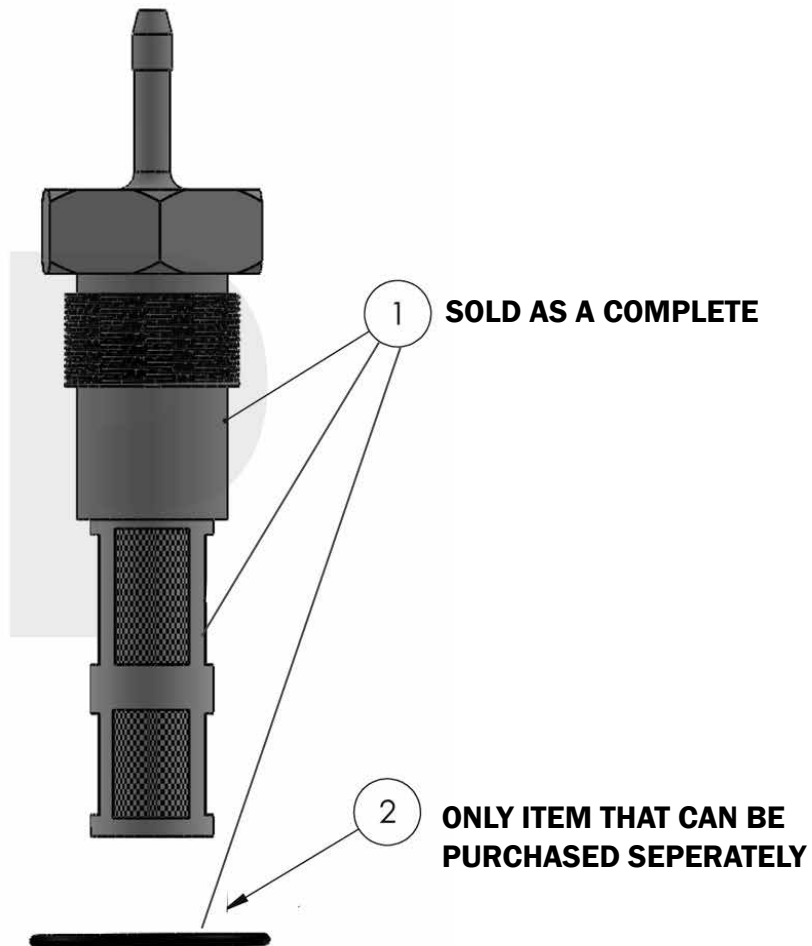


**each part number links to web site part*

| ITEM NO. | PART NUMBER | DESCRIPTION | QTY. |
|----------|-------------|---------------------------------------|------|
| 1 | 17186 | PLUG SCREW (DIESEL) COMPLETE | 1 |
| 2 | 17188 | PLUG SCREW(OIL)COMPLETE | 1 |
| 3 | 17039 | RATCHET | 2 |
| 4 | 90044 | 12MM X 60 DOWEL PIN | 2 |
| 5 | 90791 | GREASE NIPPLE M10 X 1 | 3 |
| 6 | 97948 | HOLLOW SCREW A6 DIN 7623-6.8 | 3 |
| 7 | 91417 | SEALING RING A12 X 15.5 DIN 7603CU | 6 |
| 8 | 97949 | RING NIPPLE | 3 |

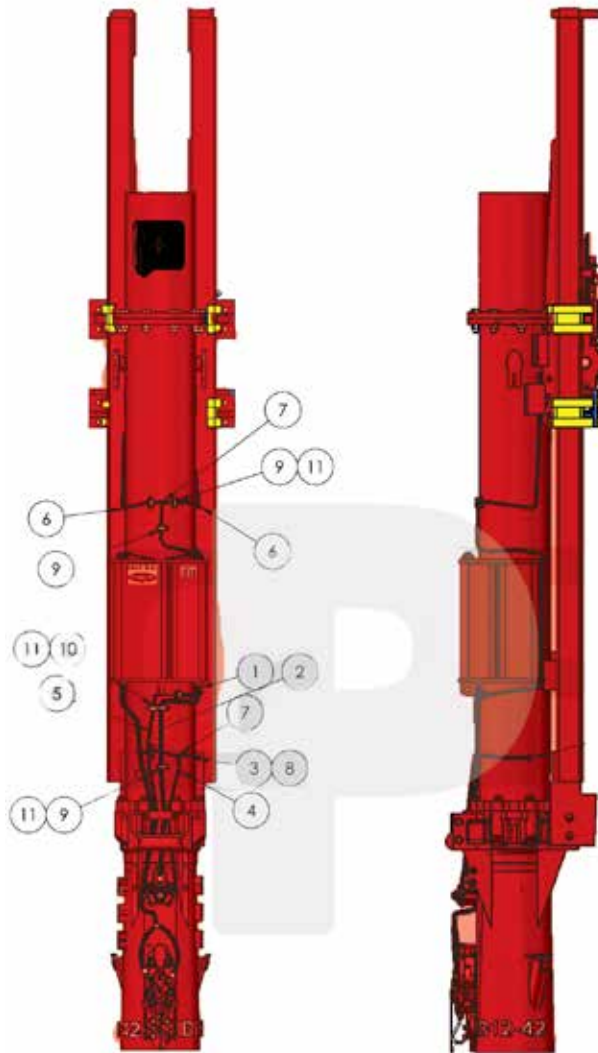
PILECO, Inc.

office (936)494-4200 • 1-800-409-0018 • fax (936)494-4517
www.Pileco.com • 491 Conroe Park W. Dr. • Conroe, TX 77303

**Filter Elbow
Complete**


**each part number links to web site part*

| ITEM NO. | PART NUMBER | DESCRIPTION | QTY. |
|----------|-------------|-----------------------|------|
| 1 | 64403 | FILTER ELBOW COMPLETE | 1 |
| 2 | 210607 | O-RING 36 X 1.5 | 1 |

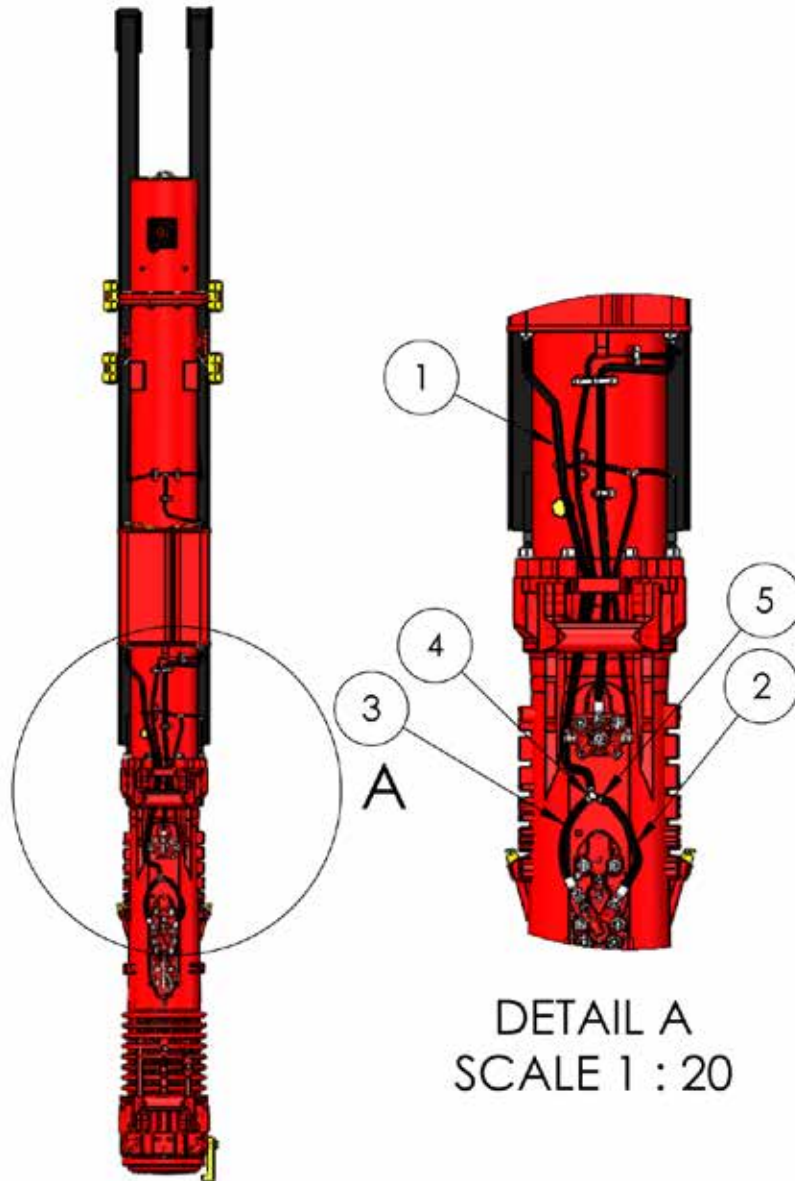
Lube Lines w/Connectors


*each part number links to web site part

| ITEM NO. | PART NUMBER | DESCRIPTION | QTY. |
|----------|-------------|-------------------------------|------|
| 1 | 94299 | HOSE CLAMP 5/8-1 | 2 |
| 2 | 98361 | HOSE 1.65 LONG | 1 |
| 3 | 102130 | HOSE 0.27M LONG | 1 |
| 4 | 202011 | HOSE 1.1M LONG | 1 |
| 5 | 102129 | HOSE 3.2M LONG | 1 |
| 6 | 202012 | HOSE 0.76 LONG | 1 |
| 7 | 94522 | T-PIECE | 2 |
| 8 | 95115 | HOSE CLAMP 1/4-5/8 | 12 |
| 9 | 2932 | CLIP | 13 |
| 10 | 41981 | CLIP | 1 |
| 11 | 93412 | 8-1.25 X 12 HEX HEAD CAPSCREW | 28 |

PILECO, Inc.

office (936)494-4200 • 1-800-409-0018 • fax (936)494-4517
 www.Pileco.com • 491 Conroe Park W. Dr. • Conroe, TX 77303

Fuel Line-Breather Line


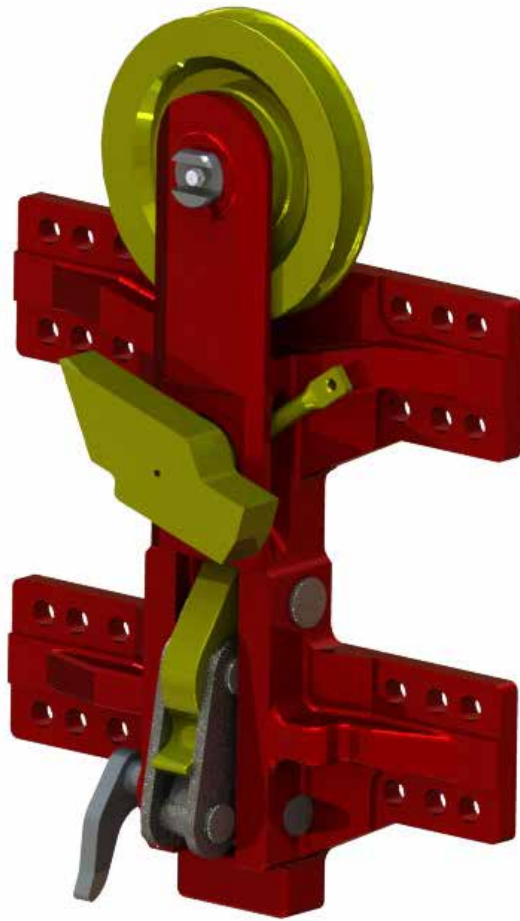
*each part number links to web site part

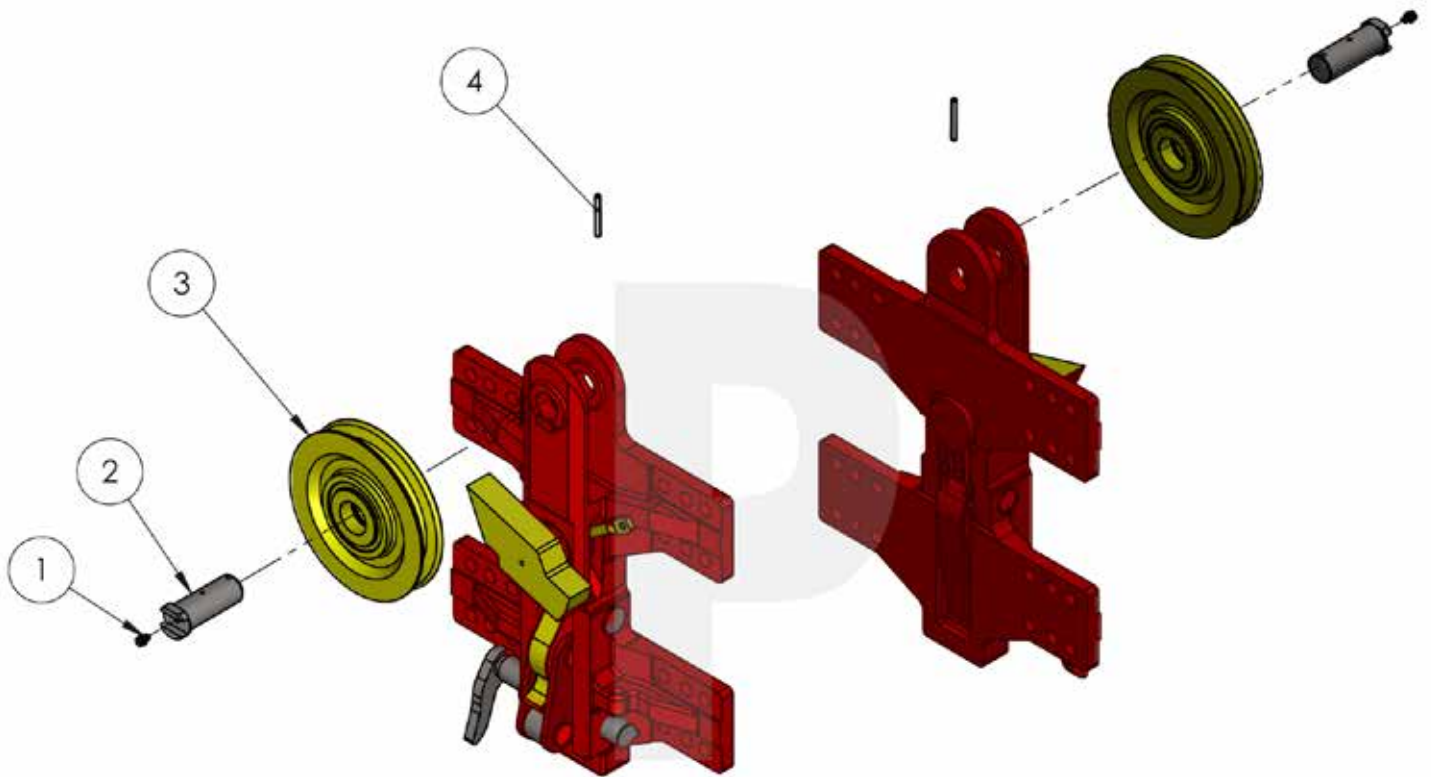
| ITEM NO. | PART NUMBER | DESCRIPTION | QTY. |
|----------|-------------|---|------|
| 1 | 202010 | HOSE FOR D12 FUEL FEEDING LINE, 1/2", 1.6M/62.9" LONG | 1 |
| 2 | 207025 | HOSE 0.36m long | 1 |
| 3 | 96504 | HOSE 0.28m long | 1 |
| 4 | 99019 | Y-PIECE | 1 |
| 5 | 94299 | HOSE CLAMP 5/8-1 | 4 |

PILECO, Inc.

office (936)494-4200 • 1-800-409-0018 • fax (936)494-4517
www.Pileco.com • 491 Conroe Park W. Dr. • Conroe, TX 77303

Starting Device (Trip) 9T



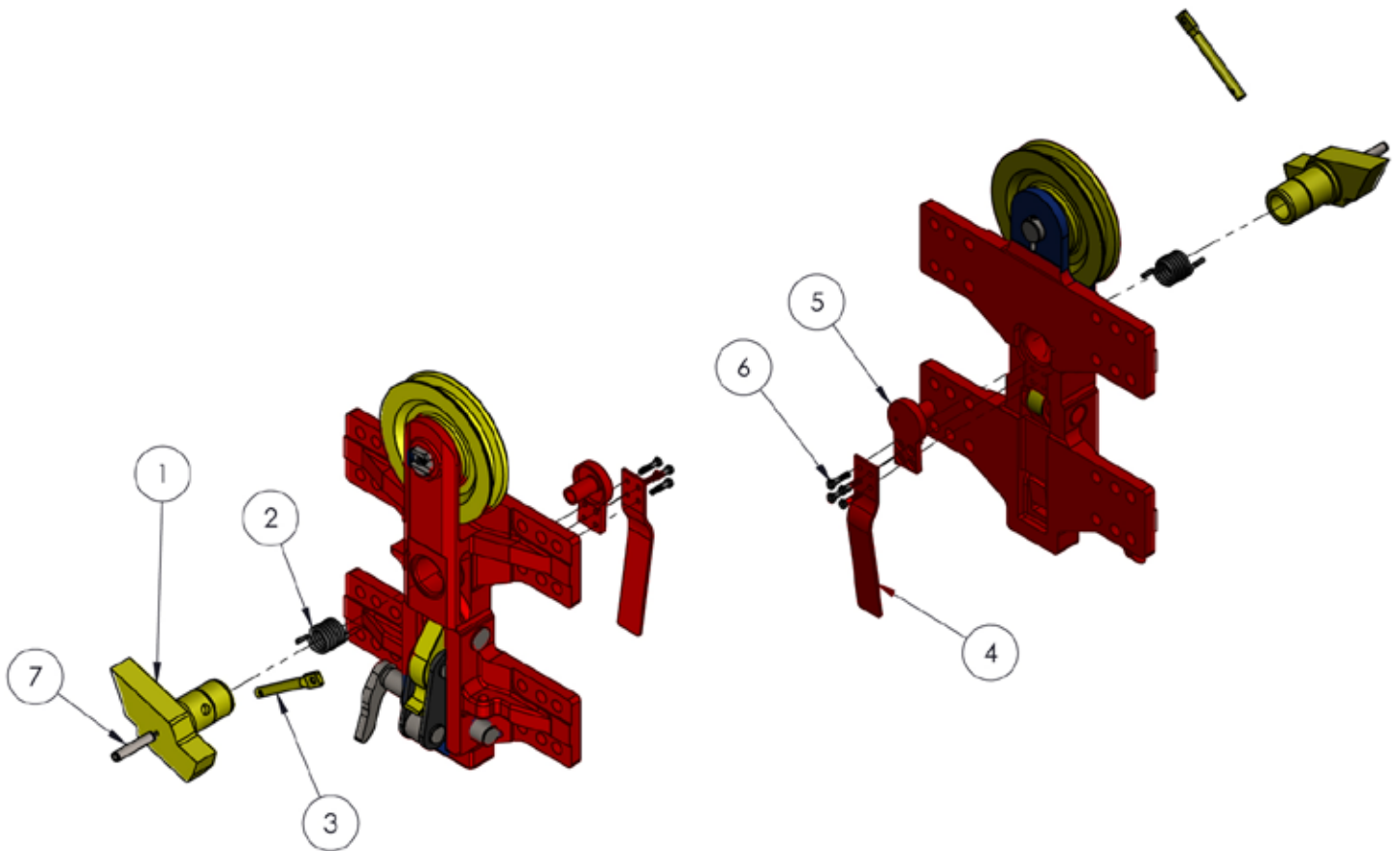
**Manual Starting Device (Trip)
Complete**


*each part number links to web site part

| ITEM NO. | PART NUMBER | DESCRIPTION | QTY. |
|----------|-------------|----------------------------|------|
| 1 | 90791 | GREASE NIPPLE M10 X 1 | 1 |
| 2 | 104954 | SHEAVE PIN | 1 |
| 3 | 190285 | ROPE PULLEY | 1 |
| 4 | 90637 | 8 X 80 SPLIT PIN DIN 94-ST | 1 |

PILECO, Inc.

office (936)494-4200 • 1-800-409-0018 • fax (936)494-4517
www.Pileco.com • 491 Conroe Park W. Dr. • Conroe, TX 77303

**Manual Starting Device (Trip)
Complete**


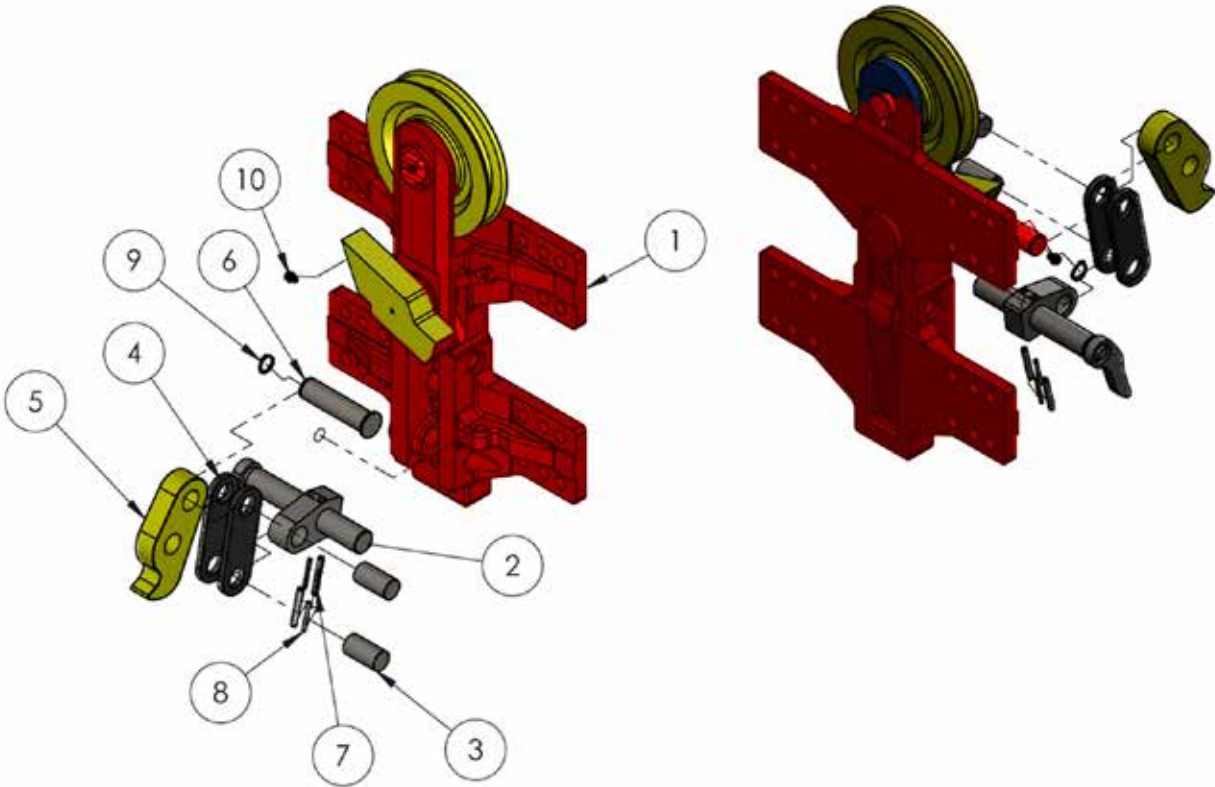
*each part number links to web site part

| ITEM NO. | PART NUMBER | DESCRIPTION | QTY. |
|----------|-------------|-----------------------------------|------|
| 1 | 108300 | DRIVING PIN | 1 |
| 2 | 39381 | TORSION SPRING | 1 |
| 3 | 64189 | LEVER | 1 |
| 4 | 39382 | LEAF SPRING | 1 |
| 5 | 104698 | COVER | 1 |
| 6 | 93414 | 10-1.5 X 30 HEX HEAD CAPSCREW 8.8 | 4 |
| 7 | 90380 | 8MM X 50 ROLL PIN | 1 |

PILECO, Inc.

office (936)494-4200 • 1-800-409-0018 • fax (936)494-4517
www.Pileco.com • 491 Conroe Park W. Dr. • Conroe, TX 77303

Manual Starting Device (Trip) Complete



*each part number links to web site part

| ITEM NO. | PART NUMBER | DESCRIPTION | QTY. |
|----------|-------------|--------------------------|------|
| 1 | 104697 | TRIP BODY | 1 |
| 2 | 104695 | TRIP CAM WITH LEVER | 1 |
| 3 | 1106 | JOINT BOLT | 2 |
| 4 | 1104 | SHACKLE | 2 |
| 5 | 64192 | PAWL | 1 |
| 6 | 64190 | PIN | 1 |
| 7 | 91321 | 10MM X 75 ROLL PIN | 2 |
| 8 | 90160 | 6MM X 60 ROLL PIN | 2 |
| 9 | 90221 | CIRCLIP 30 X 1.2 DIN 471 | 1 |
| 10 | 90791 | GREASE NIPPLE M10 X 1 | 1 |

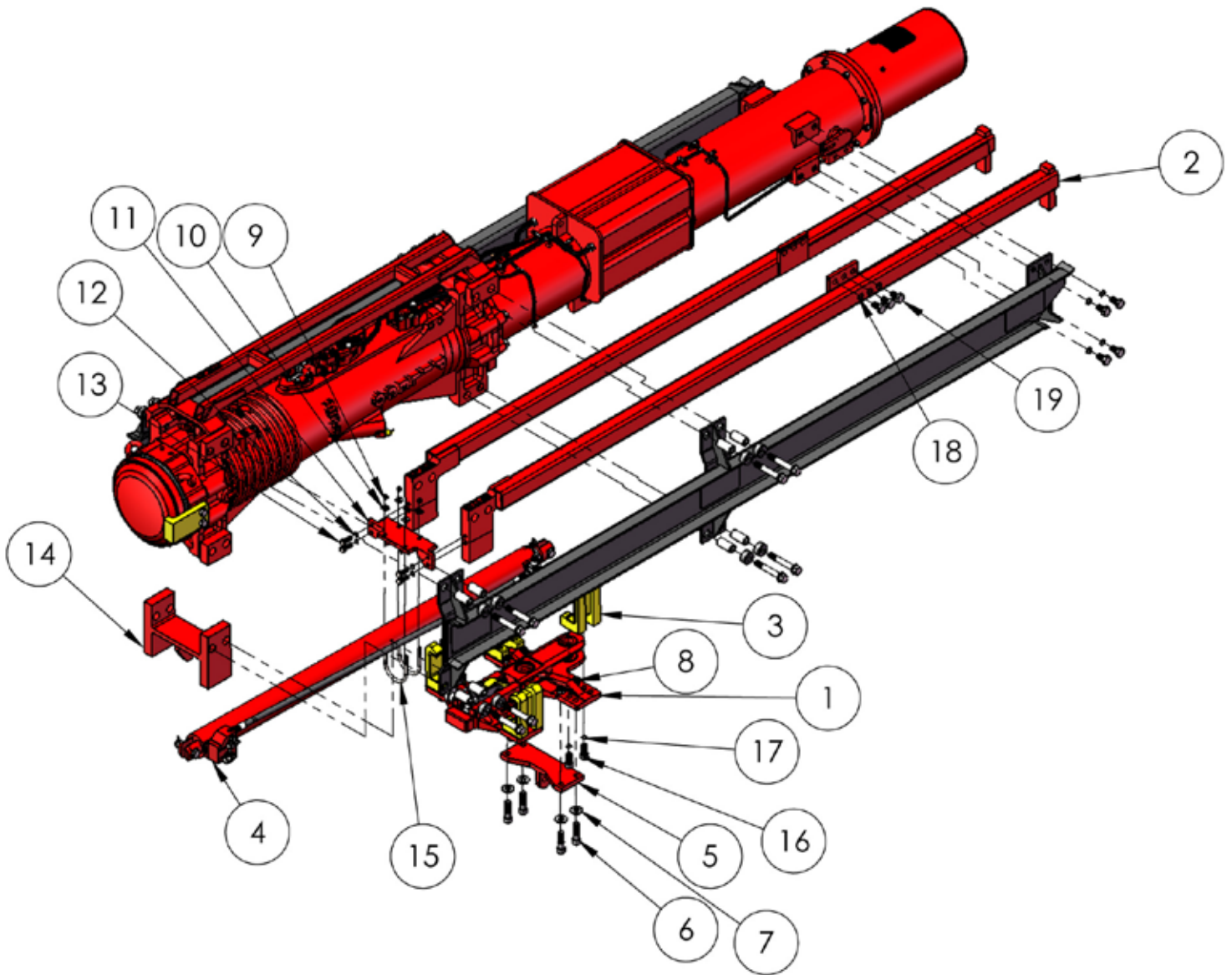
PILECO, Inc.

office (936)494-4200 • 1-800-409-0018 • fax (936)494-4517
www.Pileco.com • 491 Conroe Park W. Dr. • Conroe, TX 77303

Hydraulic Push Start



**Hydraulic Push Start
Complete**



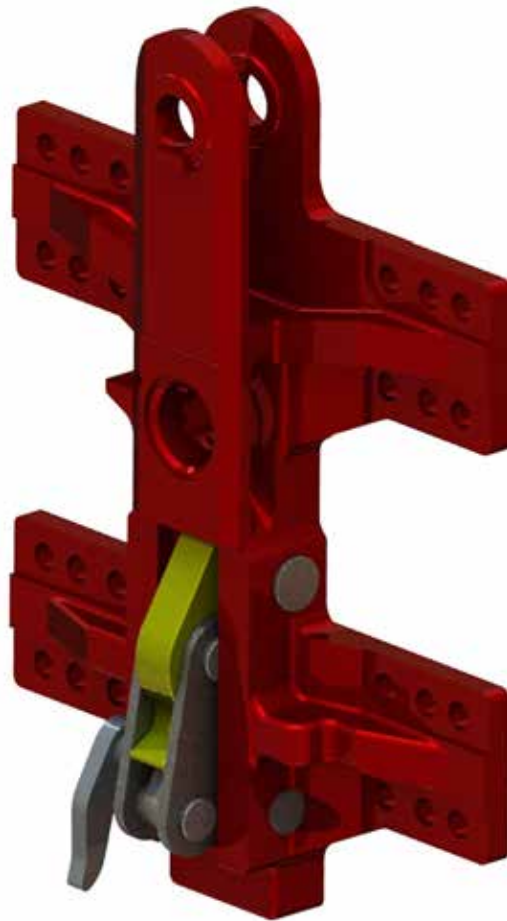
continued....

Hydraulic Push Start Complete

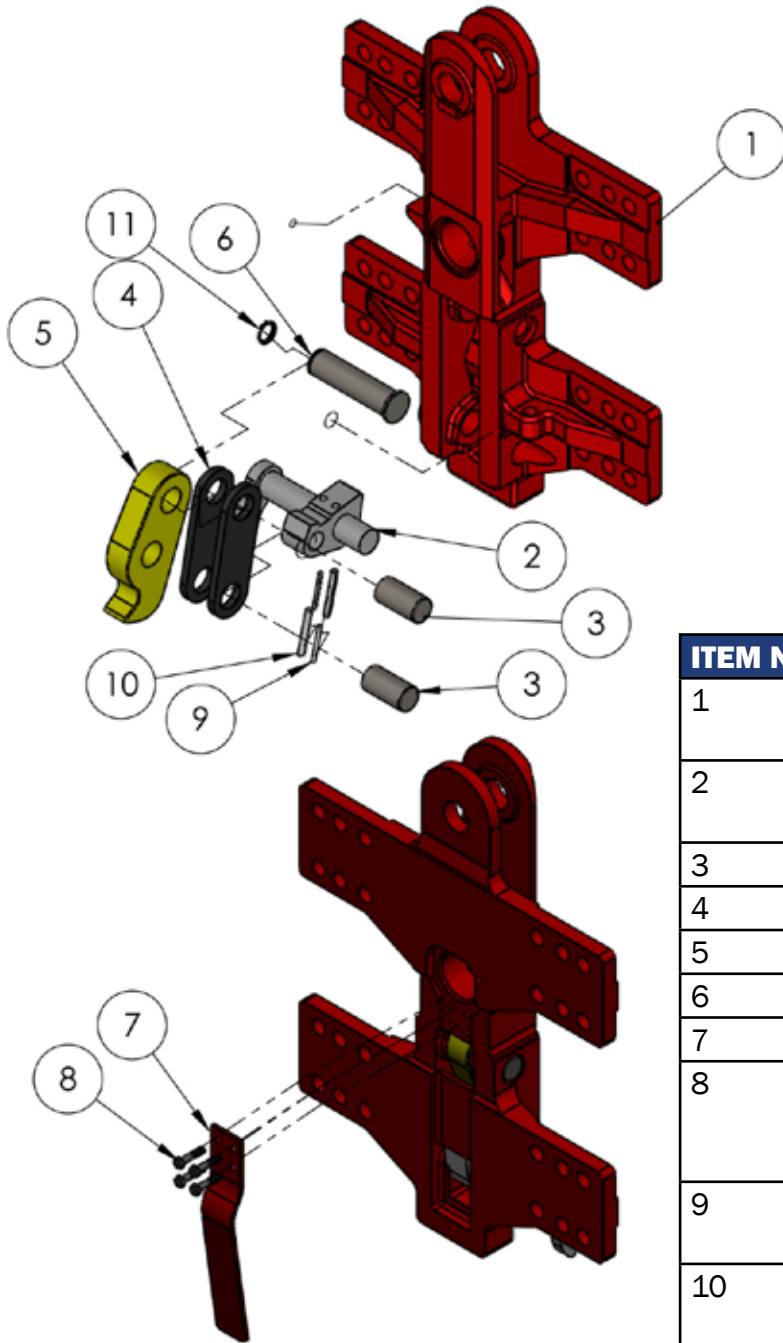
*each part number links to web site part

| ITEM NO. | PART NUMBER | DESCRIPTION | QTY. |
|----------|-------------|-------------------------------------|------|
| 1 | 8000953 | HYDRAULIC START TRIP ASSEMBLY | 1 |
| 2 | 202101 | D12 HYDRAULIC TRIP STARTER GUIDES | 1 |
| 3 | 203132 | GUIDE GIB | 4 |
| 4 | 203170 | HYDRAULIC TRIP CYLINDER | 1 |
| 5 | 202103 | UPPER BRACKET | 1 |
| 6 | 203102 | 24-3.0MM X 90 SOCKET HEAD CAP SCREW | 4 |
| 7 | 203104 | 24MM FLATWASHER | 4 |
| 8 | 203103 | 24-3.00 NYLON INSERT LOCKNUT | 4 |
| 9 | 202108 | 12-1.75 NYLON INSERT LOCK NUT | 4 |
| 10 | 202109 | 12MM FLAT WASHER | 4 |
| 11 | 202104 | HYDRAULIC CYLINDER BRACKET | 1 |
| 12 | 202107 | 16MM EXT LOCKWASHER | 4 |
| 13 | 202106 | 16-2MM X 50 HEX HEAD CAP SCREW | 4 |
| 14 | 202105 | LOWER BRACKET | 1 |
| 15 | 202110 | U BOLT 12-1.75 X 134MM | 2 |
| 16 | 203133 | 24-3.0 X 50 SOCKET HEAD CAPSCREW | 8 |
| 17 | 203134 | 7/8 SCHNORR SAFETY WASHER | 8 |
| 18 | 203131 | 24MM SCHNORR SAFETY WASHER | 6 |
| 19 | 203130 | 24-3.0 X 45 HEX HEAD CAPSCREW | 6 |

Hydraulic Starting Device (Trip)



Hydraulic Starting Device (Trip) Assembly



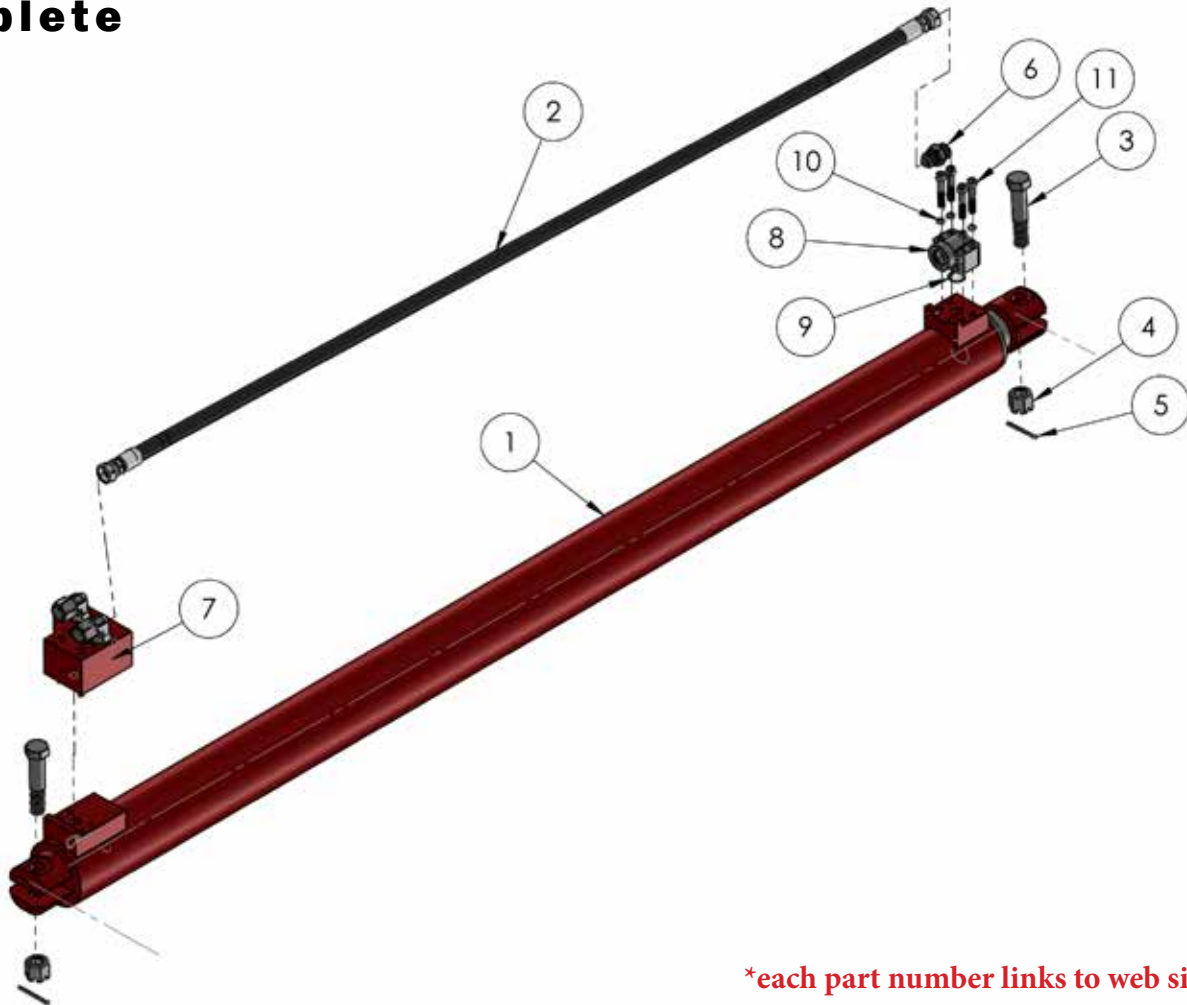
*each part number links to web site part

| ITEM NO. | PART NUMBER | DESCRIPTION | QTY. |
|----------|-------------|-----------------------------------|------|
| 1 | 104697 | GUIDE BODY COMPLETE | 1 |
| 2 | 104695 | CAM WITH LEVER COMPLETE | 1 |
| 3 | 1106 | JOINT BOLT | 2 |
| 4 | 1104 | SHACKLE | 2 |
| 5 | 64192 | PAWL | 1 |
| 6 | 64190 | PIN | 1 |
| 7 | 39382 | LEAF SPRING | 1 |
| 8 | 93414 | 10-1.5 X 30 HEX HEAD CAPSCREW 8.8 | 4 |
| 9 | 90160 | 6MM X 60 ROLL PIN | 2 |
| 10 | 91321 | 10MM X 75 ROLL PIN | 2 |
| 11 | 90221 | CIRCLIP 30 X 1.2 DIN 471 | 1 |

PILECO, Inc.

office (936)494-4200 • 1-800-409-0018 • fax (936)494-4517
www.Pileco.com • 491 Conroe Park W. Dr. • Conroe, TX 77303

Hydraulic Cylinder Complete



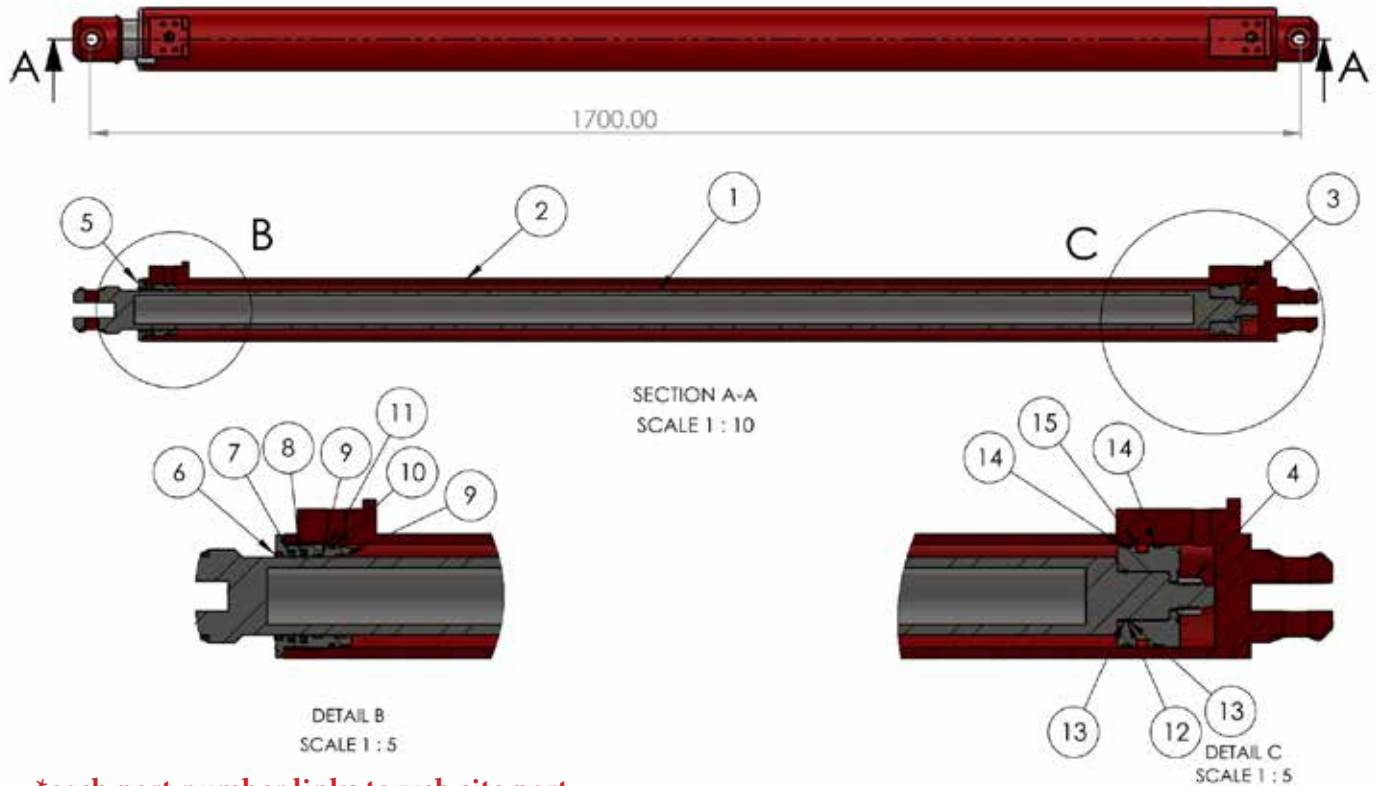
*each part number links to web site part

| ITEM NO. | PART NUMBER | DESCRIPTION | QTY. |
|----------|-------------|---|------|
| 1 | 203171 | HYDRAULIC START CYLINDER | 1 |
| 2 | 203175 | 1950MM HOSE | 1 |
| 3 | 205110 | 24MM-3.0 X 110 HEX HEAD CAP SCREW w/ PIN HOLE | 2 |
| 4 | 205111 | M24 SLOTTED HEX NUT | 2 |
| 5 | 205112 | 5 X 40 COTTER PIN | 2 |
| 6 | 203124 | 3/4-1 1/16 - 12 JIC Straight Thread Connectors 37° Flare /SAE-ORB 12 F50X | 1 |
| 7 | 201108 | LOWER HYDRAULIC BLOCK ASSEMBLY | 1 |
| 8 | 203173 | W184-12-12 ANCHOR FLANGE | 1 |
| 9 | 203172 | O-RING 2-214 24.99 X 3.53 | 1 |
| 10 | 207116 | 10MM HI COLLAR LOCK WASHER | 4 |
| 11 | 203174 | 10MM X 55 SOCKET HEAD CAP SCREW | 4 |

PILECO, Inc.

office (936)494-4200 • 1-800-409-0018 • fax (936)494-4517
 www.Pileco.com • 491 Conroe Park W. Dr. • Conroe, TX 77303

Hydraulic Cylinder Assembly



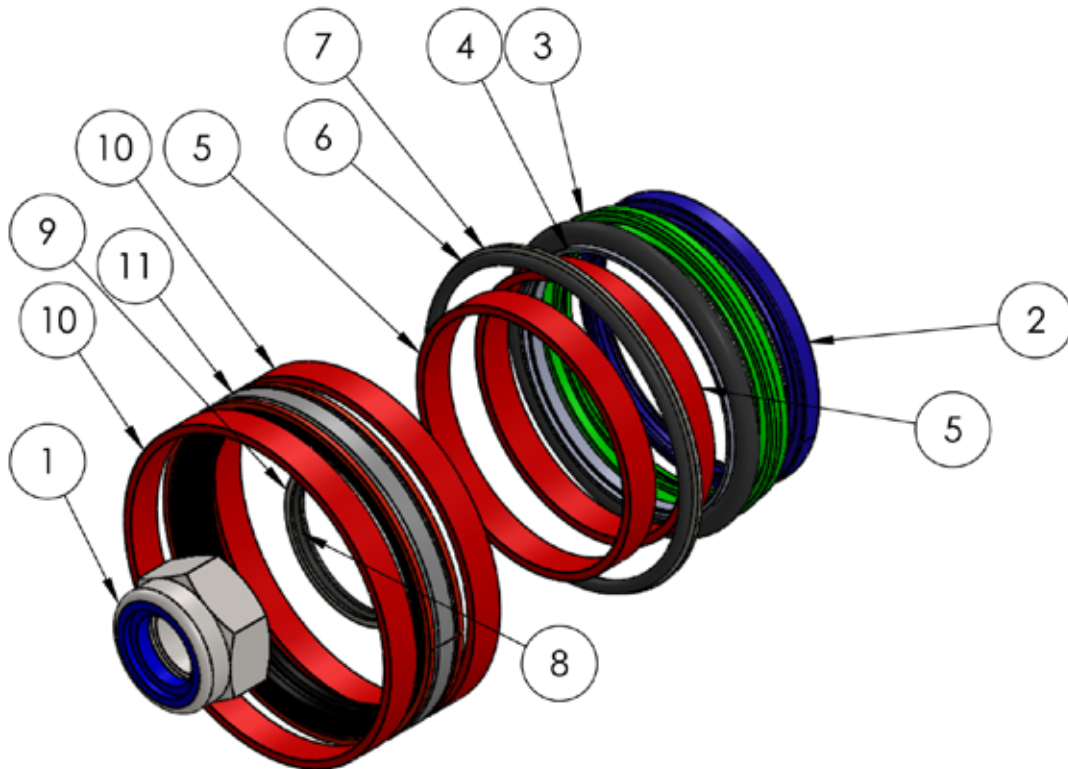
*each part number links to web site part

| ITEM NO. | PART NUMBER | DESCRIPTION | QTY. |
|----------|-------------|---------------------------------------|------|
| 1 | 203178 | CYLINDER ROD | 1 |
| 2 | 203180 | CYLINDER SLEEVE | 1 |
| 3 | 203181 | PISTON | 1 |
| 4 | 201104 | 20MM X 2.5 NYLON INSERT LOCK NUT | 1 |
| 5 | 203179 | CLINDER HEAD | 1 |
| 6 | 203146 | WIPER SEAL | 1 |
| 7 | 203162 | ROD SEAL | 1 |
| 8 | 203163 | ROD SEAL | 1 |
| 9 | 203164 | WEAR RING | 2 |
| 10 | 203165 | 2-239 91.67X3.53 O-RING | 1 |
| 11 | 203166 | 95X100.5-1.5 BACKING RING | 1 |
| 12 | 203167 | 2-132 44.12×2.62 O-RING | 1 |
| 13 | 203168 | 45×49-1 BACKING RING | 2 |
| 14 | 203169 | 100X95-9.7 GUIDING RING | 2 |
| 15 | 203155 | 100X85X12.5 DOUBLE ACTING PISTON SEAL | 1 |

PILECO, Inc.

office (936)494-4200 • 1-800-409-0018 • fax (936)494-4517
 www.Pileco.com • 491 Conroe Park W. Dr. • Conroe, TX 77303

D12 Hydraulic Start Cylinder Ring Kit



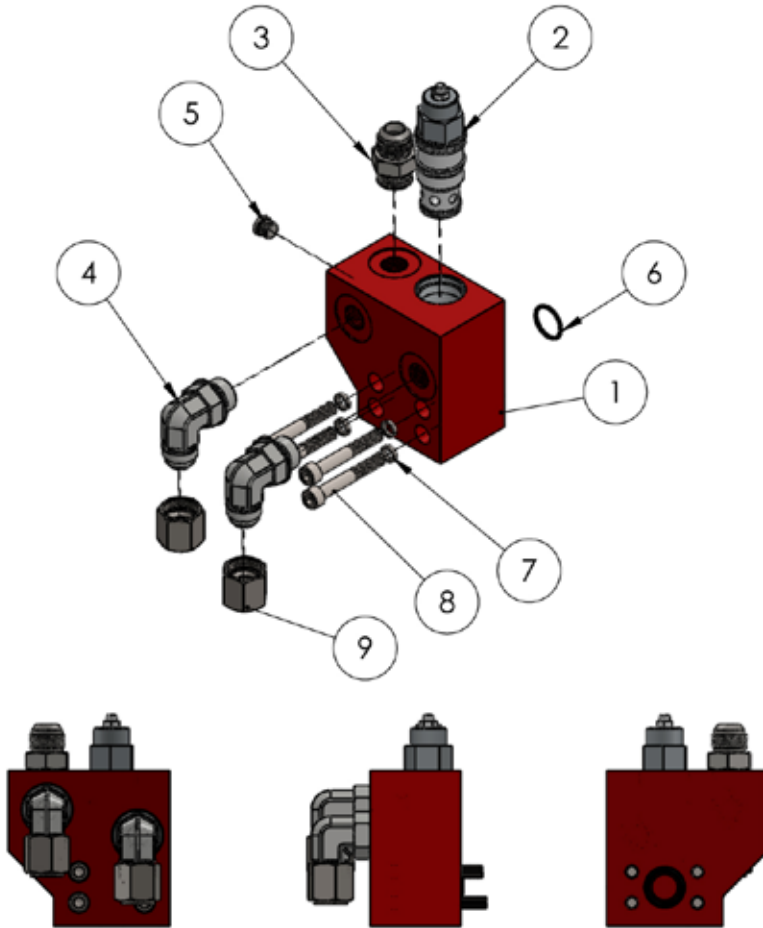
*each part number links to web site part

| ITEM NO. | PART NUMBER | DESCRIPTION | QTY. |
|----------|-------------|---------------------------------------|------|
| 1 | 201104 | 20MM X 2.5 NYLON INSERT LOCK NUT | 1 |
| 2 | 203146 | WIPER SEAL | 1 |
| 3 | 203162 | ROD SEAL | 1 |
| 4 | 203163 | ROD SEAL | 1 |
| 5 | 203164 | WEAR RING | 2 |
| 6 | 203165 | 2-239 91.67×3.53 O-RING | 1 |
| 7 | 203166 | 95×100.5-1.5 BACKING RING | 1 |
| 8 | 203167 | 2-132 44.12×2.62 O-RING | 1 |
| 9 | 203168 | 45×49-1 BACKING RING | 2 |
| 10 | 203169 | 100×95-9.7 GUIDING RING | 2 |
| 11 | 203155 | 100×85×12.5 DOUBLE ACTING PISTON SEAL | 1 |

PILECO, Inc.

office (936)494-4200 • 1-800-409-0018 • fax (936)494-4517
www.Pileco.com • 491 Conroe Park W. Dr. • Conroe, TX 77303

Counterbalance Valve Assembly



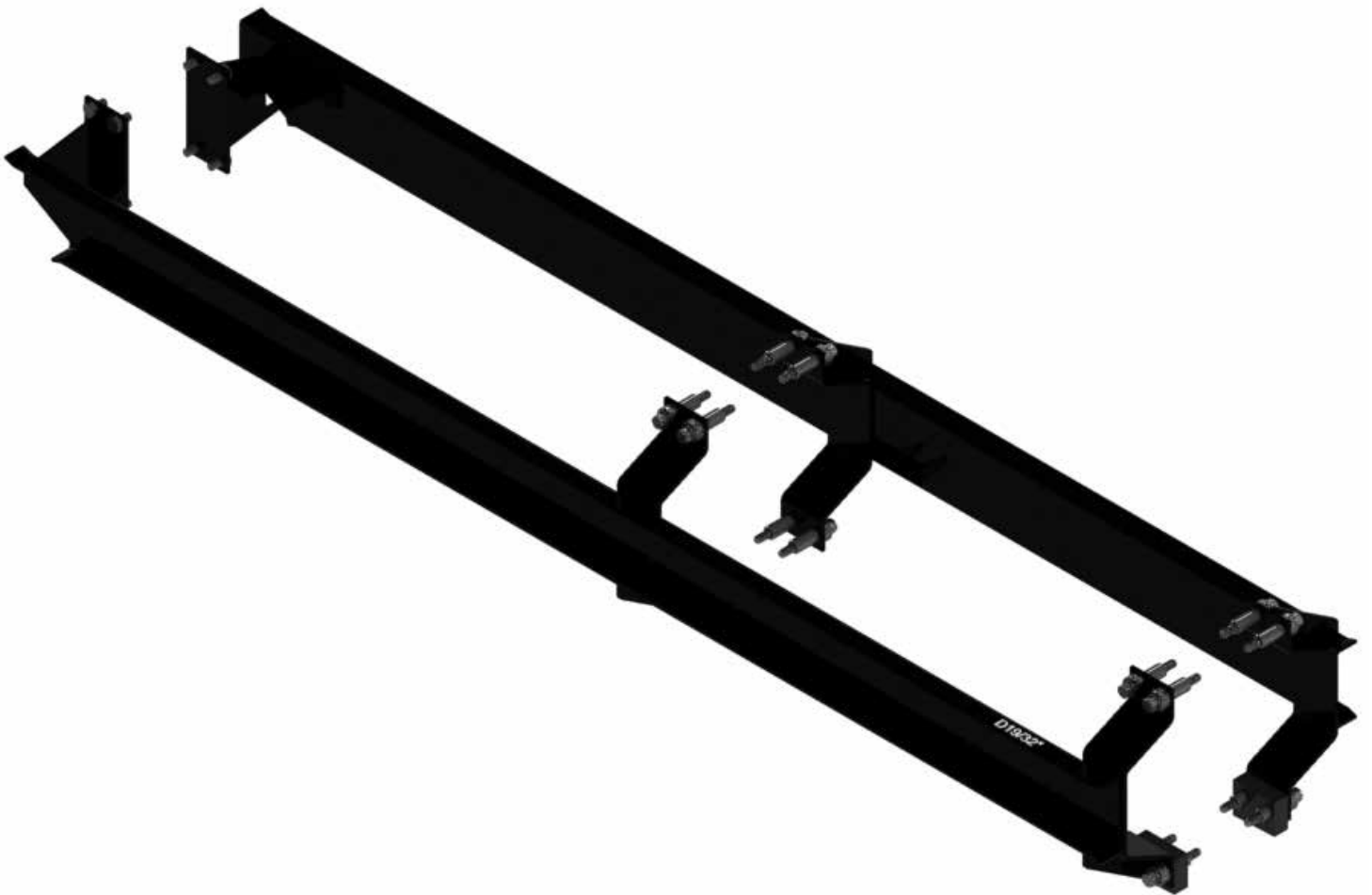
*each part number links to web site part

| ITEM NO. | PART NUMBER | DESCRIPTION | QTY. |
|----------|-------------|--|------|
| 1 | 203177 | LOWER HYDRAULIC BLOCK/COUNTER BALANCE VALVE | 1 |
| 2 | 203122 | CBGG-LJN COUNTERBALANCE VALVE | 1 |
| 3 | 203124 | 3/4-1 1/16 - 12 JIC Straight Thread Connectors 37° Flare/SAE-ORB 12 F50X | 1 |
| 4 | 203112 | 3/4-1 1/16 - 12 JIC 90 Thread Connectors 37° Flare /SAEORB 12 C50X | 2 |
| 5 | 203125 | G1/4 PLUG | 1 |
| 6 | 203172 | O-RING 2-214 24.99 X 3.53 | 1 |
| 7 | 207116 | 10MM HI COLLAR LOCK WASHER | 4 |
| 8 | 207115 | 10MM-1.5 X 70 SOCKET HEAD CAP SCREW | 4 |
| 9 | 203138 | 12 FNTX-S CAP | 2 |

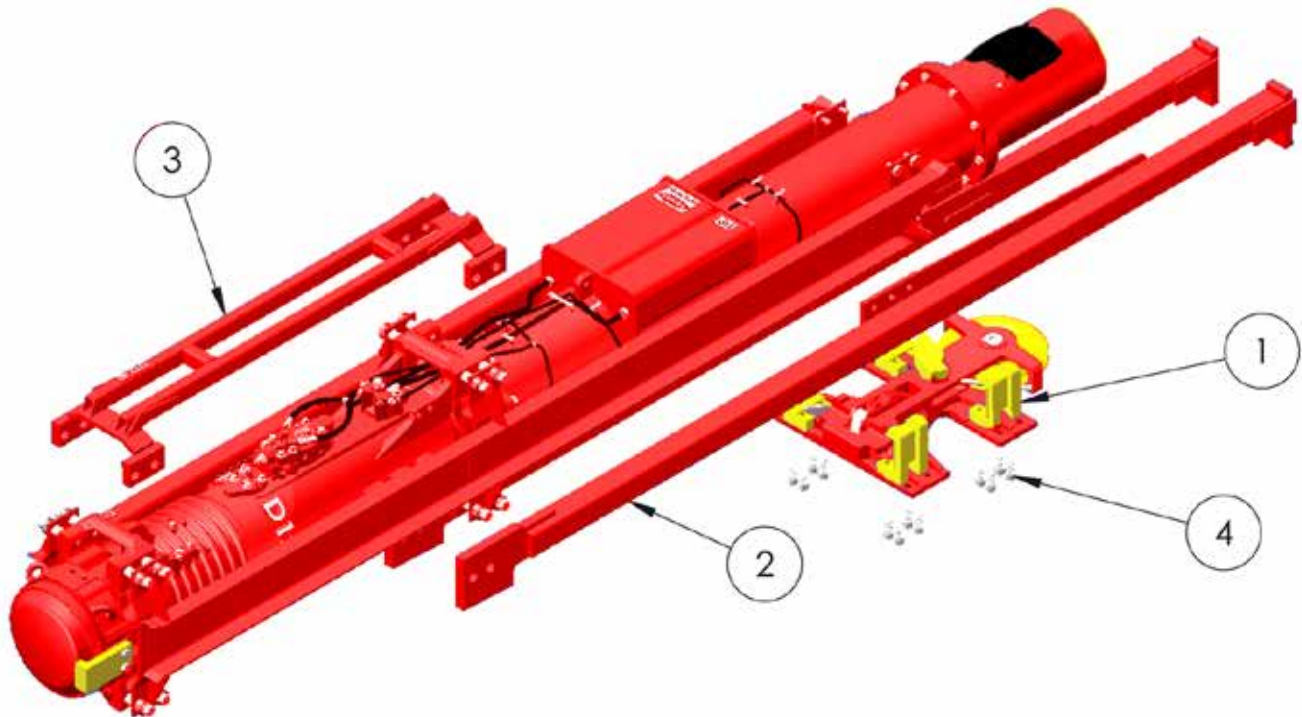
PILECO, Inc.

office (936)494-4200 • 1-800-409-0018 • fax (936)494-4517
 www.Pileco.com • 491 Conroe Park W. Dr. • Conroe, TX 77303

Guides



Guide Gibs and Starter Guide Assembly



*each part number links to web site part

| ITEM NO. | PART NUMBER | DESCRIPTION | QTY. |
|----------|-------------|-------------------------------------|------|
| 1 | 203132 | GUIDE GIB | 4 |
| 2 | 202204 | D12 STARTER GUIDES | 1 |
| 3 | 202201 | D12 PUMP GAURD | 1 |
| 4 | 203133 | 24MM-3.0 X 50 SOCKET HEAD CAP SCREW | 8 |

PILECO, Inc.

office (936)494-4200 • 1-800-409-0018 • fax (936)494-4517
 www.Pileco.com • 491 Conroe Park W. Dr. • Conroe, TX 77303

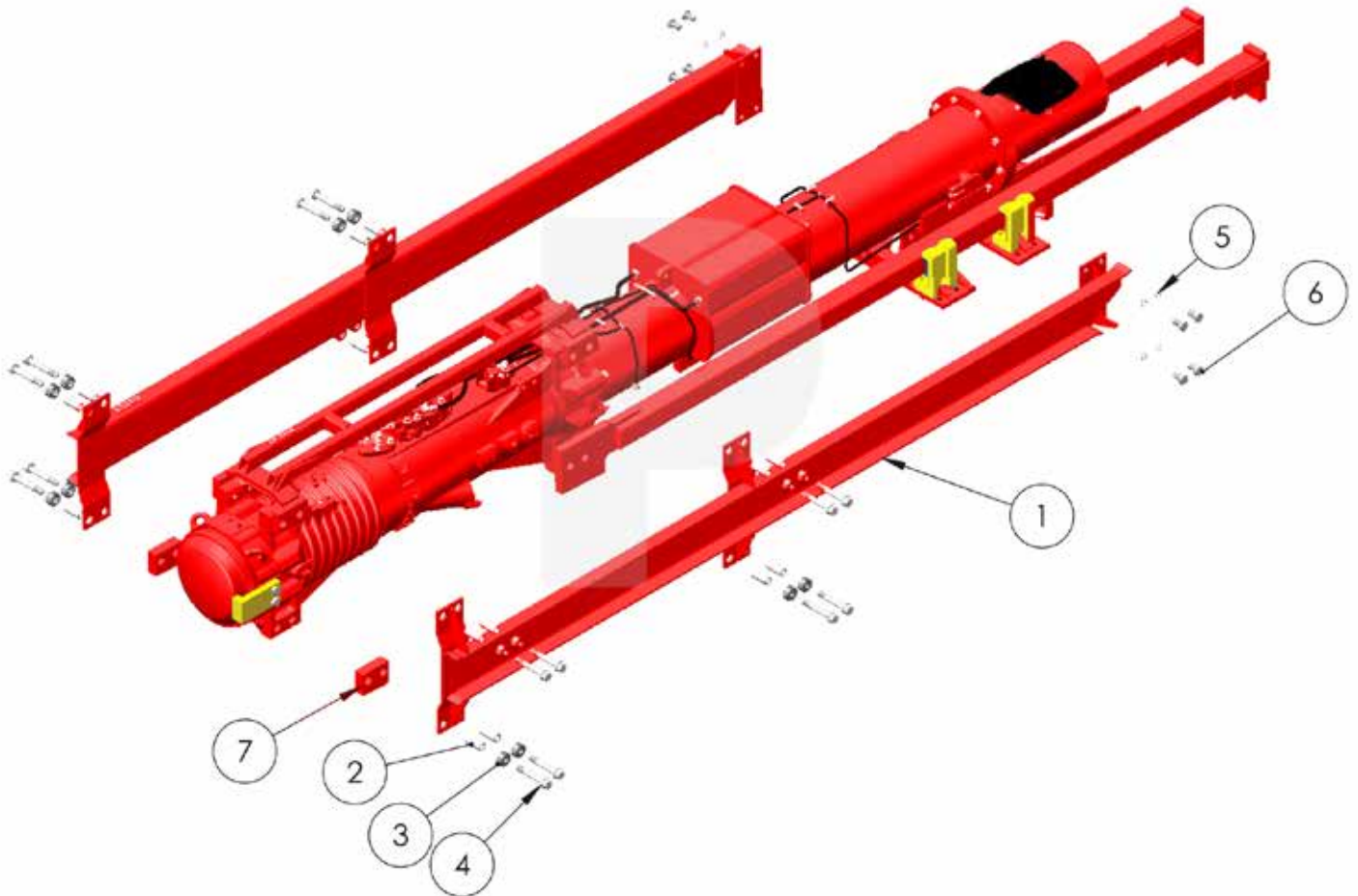
**D12 GUIDING HARDWARE
Assembly Kit**


*each part number links to web site part

| ITEM NO. | PART NUMBER | DESCRIPTION | QTY. |
|----------|-------------|-------------------------------|------|
| 1 | 39991 | SPACER | 16 |
| 2 | 95195A | DOWEL PIN | 16 |
| 3 | 20174 | M24 X 165 HEX BOLT | 16 |
| 4 | 203130 | 24-3.0 X 45 HEX HEAD CAPSCREW | 8 |
| 5 | 203131 | 24MM SCHNORR SAFETY WASHER | 8 |

PILECO, Inc.

office (936)494-4200 • 1-800-409-0018 • fax (936)494-4517
www.Pileco.com • 491 Conroe Park W. Dr. • Conroe, TX 77303

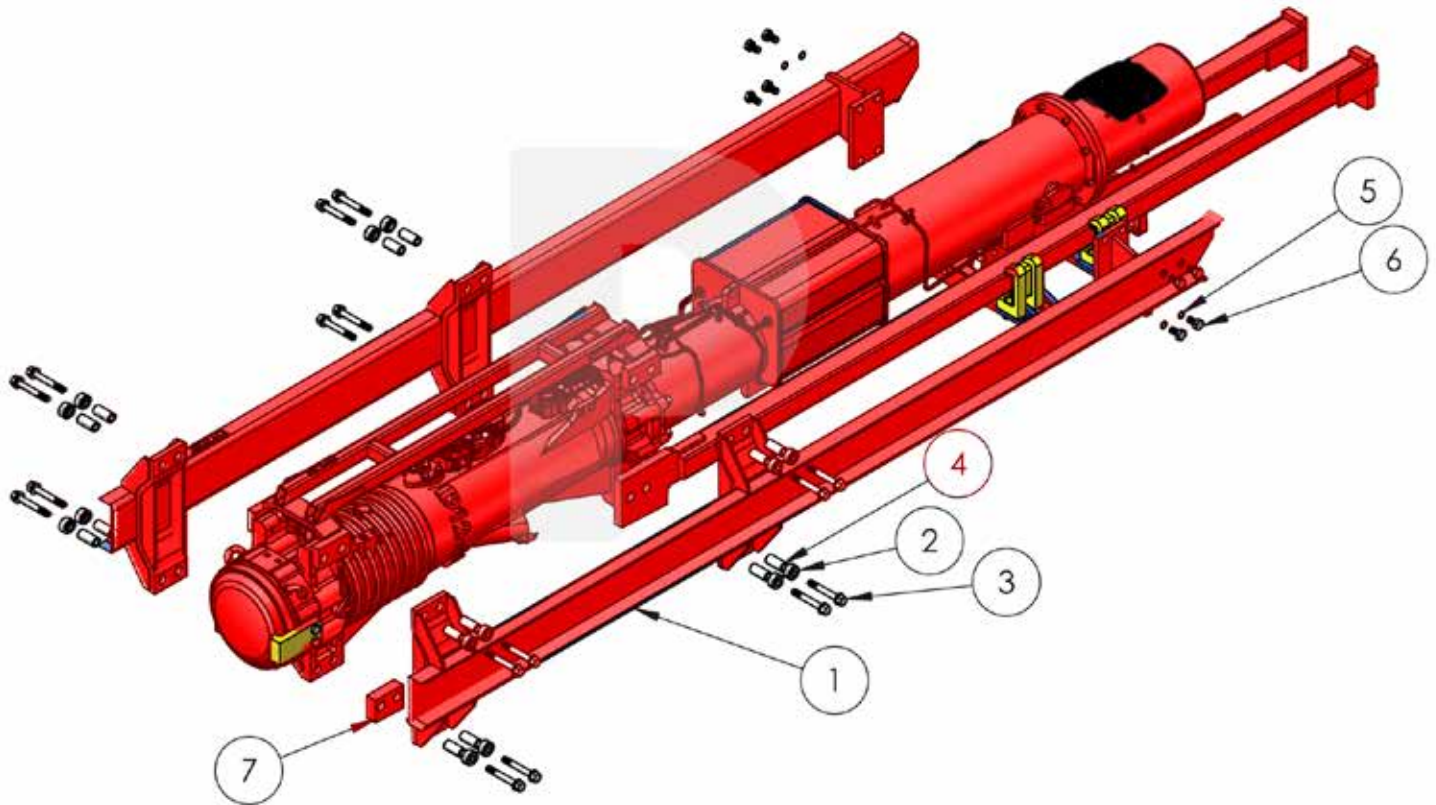
**D12 U-21 X 8 LEAD GUIDING
Assembly**


*each part number links to web site part

| ITEM NO. | PART NUMBER | DESCRIPTION | QTY. |
|----------|-------------|-------------------------------|------|
| 1 | 202202 | D12 U-21 GUIDING | 1 |
| 2 | 95195A | DOWEL PIN | 16 |
| 3 | 39991 | SPACER | 16 |
| 4 | 20174 | M24 X 165 HEX BOLT | 16 |
| 5 | 203131 | 24MM SCHNORR SAFETY WASHER | 8 |
| 6 | 203130 | 24-3.0 X 45 HEX HEAD CAPSCREW | 8 |
| 7 | 203206 | SPACER BLOCK | 2 |

PILECO, Inc.

office (936)494-4200 • 1-800-409-0018 • fax (936)494-4517
www.Pileco.com • 491 Conroe Park W. Dr. • Conroe, TX 77303

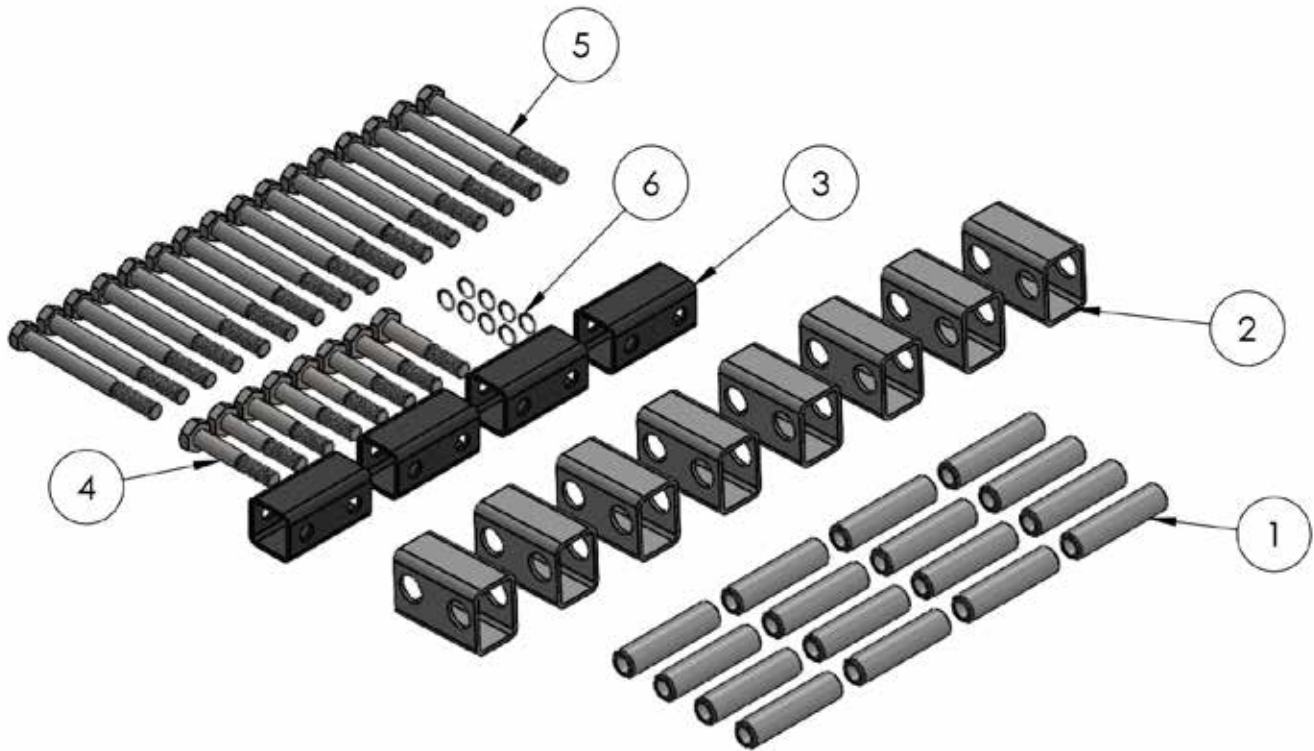
**D12 U-26 X 8 LEAD GUIDING
Assembly**


*each part number links to web site part

| ITEM NO. | PART NUMBER | DESCRIPTION | QTY. |
|----------|-------------|-------------------------------|------|
| 1 | 202203 | D12 U-26 GUIDING | 1 |
| 2 | 39991 | SPACER | 16 |
| 3 | 20174 | M24 X 165 HEX BOLT | 16 |
| 4 | 95195A | DOWEL PIN | 16 |
| 5 | 203131 | 24MM SCHNORR SAFETY WASHER | 8 |
| 6 | 203130 | 24-3.0 X 45 HEX HEAD CAPSCREW | 8 |
| 7 | 203206 | SPACER BLOCK | 2 |

PILECO, Inc.

office (936)494-4200 • 1-800-409-0018 • fax (936)494-4517
www.Pileco.com • 491 Conroe Park W. Dr. • Conroe, TX 77303

SPACER BLOCK KIT 6"


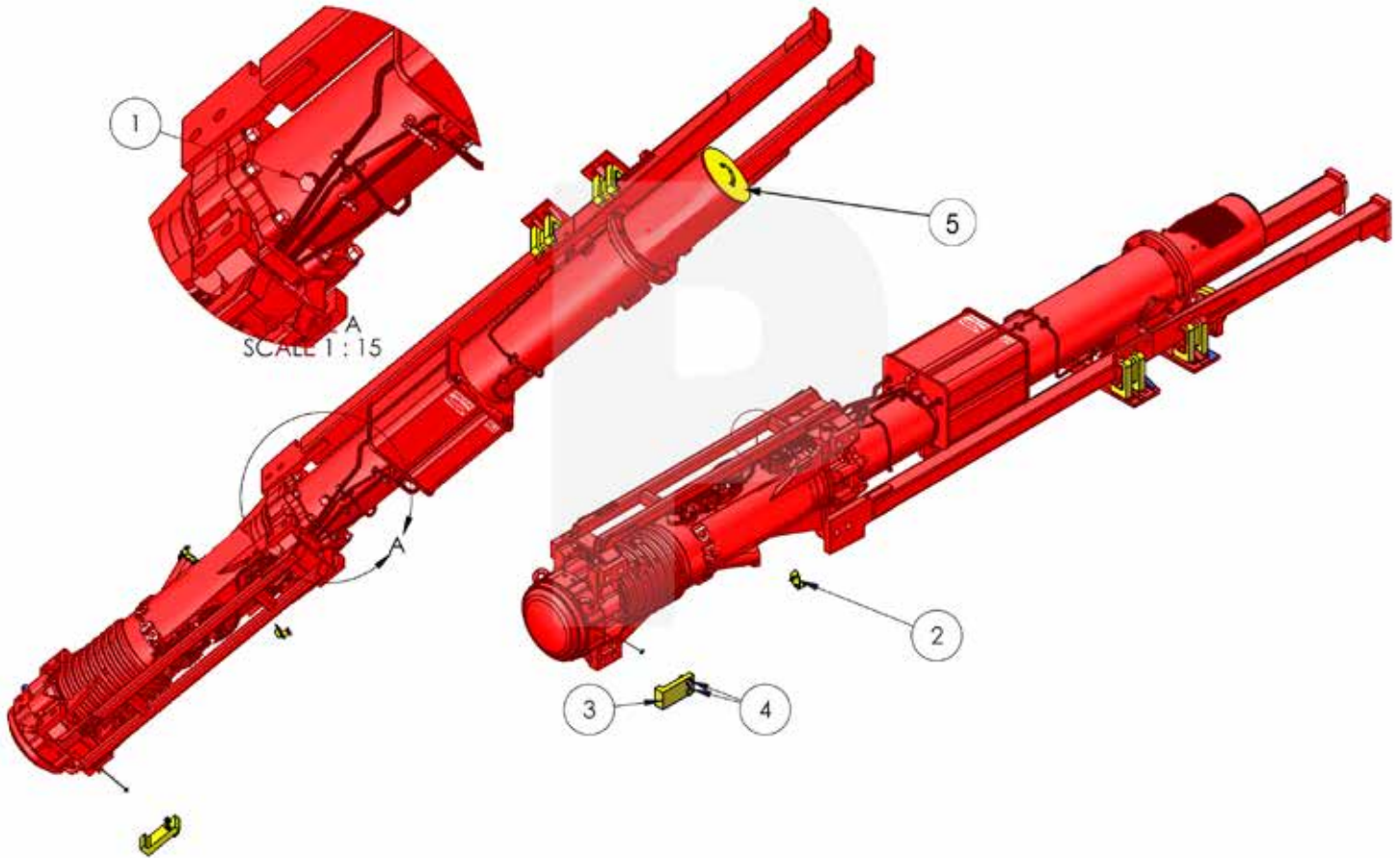
| ITEM NO. | PART NO. | DESCRIPTION | QTY. | WEIGHT |
|----------|----------|---------------------------------------|------|--------|
| 1 | 95195-B | DOWEL PIN | 16 | 35 |
| 2 | 8002421 | SPACER BLOCK | 8 | 38 |
| 3 | 8002819 | 3 X 3 X 1/4 SQ TUBE | 4 | 17 |
| 4 | 8001586 | 24-3.0MM X140 HEX HEAD CAP SCREW 10.9 | 8 | 12 |
| 5 | 8001577 | 24-3.0MM X 240 HEX HEAD CAPSCREW 10.9 | 16 | 34 |
| 6 | 203131 | 24MM SCHNORR SAFETY WASHER | 8 | 1 |

PILECO, Inc.

office (936)494-4200 • 1-800-409-0018 • fax (936)494-4517
 www.Pileco.com • 491 Conroe Park W. Dr. • Conroe, TX 77303

Transportation Protection

Transportation Protection Complete

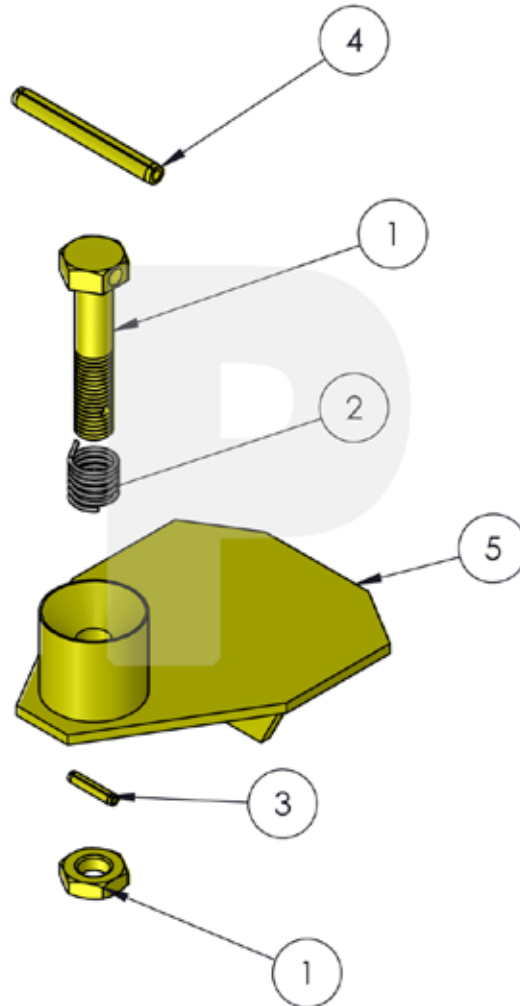


*each part number links to web site part

| ITEM NO. | PART NUMBER | DESCRIPTION | QTY. |
|----------|-------------|-------------------------------|------|
| 1 | 16890 | LOCKING SCREW | 1 |
| 2 | 104963 | EXHAUST COVER COMPLETE | 2 |
| 3 | 119079 | IMPACT BLOCK SECURING CLAMP | 1 |
| 4 | 22702 | 24MM-3 X 60 HEX HEAD CAPSCREW | 2 |
| 5 | 119050 | PROTECTION CAP | 1 |

PILECO, Inc.

office (936)494-4200 • 1-800-409-0018 • fax (936)494-4517
 www.Pileco.com • 491 Conroe Park W. Dr. • Conroe, TX 77303

**Exhaust Cover
Complete**


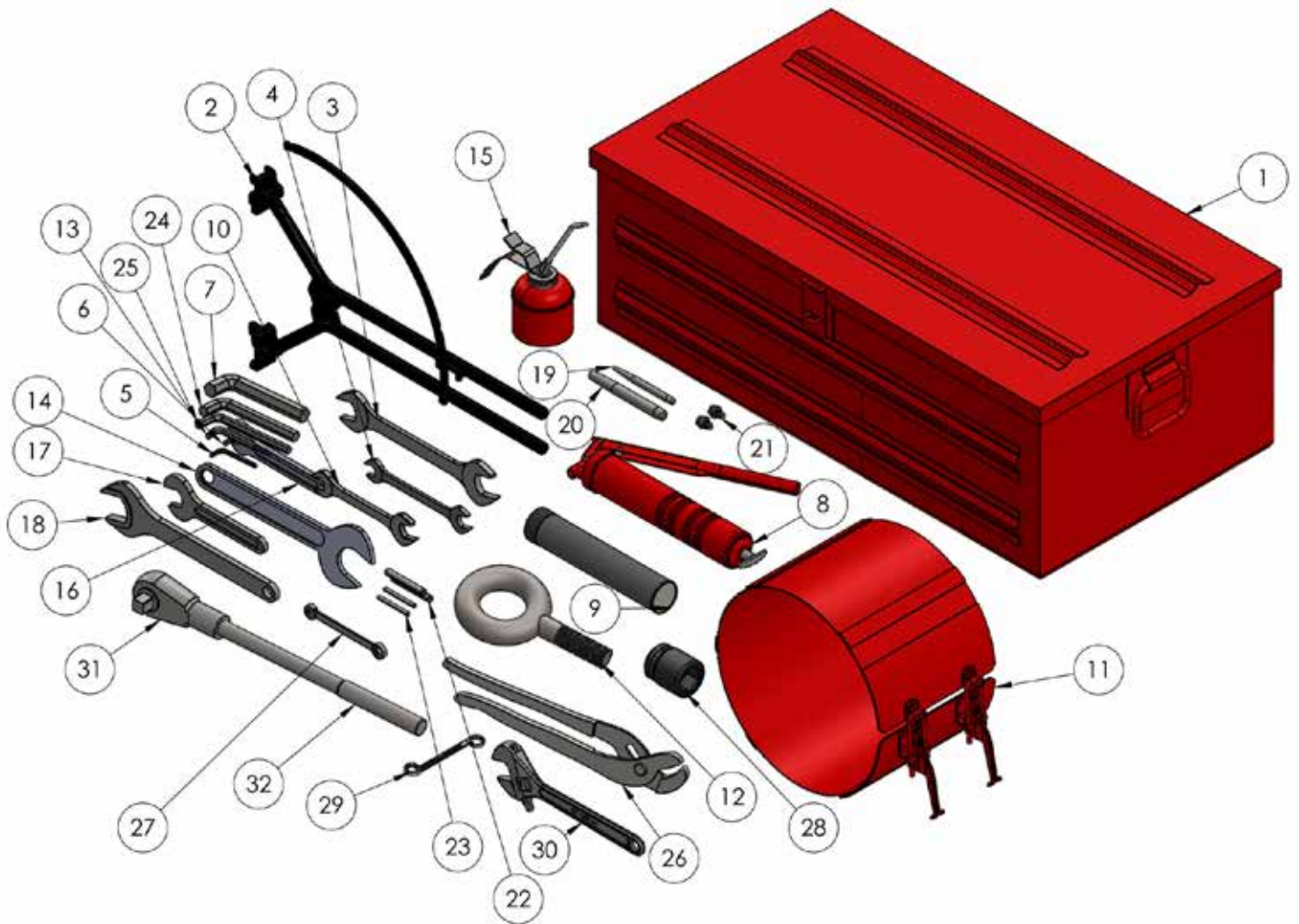
*each part number links to web site part

| ITEM NO. | PART NUMBER | DESCRIPTION | QTY. |
|----------|-------------|-------------------------------------|------|
| 1 | 20076 | SCREW COMPLETE | 1 |
| 2 | 190479 | PRESSURE SPRING 7, 3 X 29, 4 X 1, 2 | 1 |
| 3 | 91144 | DOWEL PIN 3 X 20 | 1 |
| 4 | 90661 | 5MM X 50 DOWEL PIN | 1 |
| 5 | 104964 | COVER | 1 |

PILECO, Inc.

office (936)494-4200 • 1-800-409-0018 • fax (936)494-4517
www.Pileco.com • 491 Conroe Park W. Dr. • Conroe, TX 77303

Tool Box



PILECO, Inc.

office (936)494-4200 • 1-800-409-0018 • fax (936)494-4517
www.Pileco.com • 491 Conroe Park W. Dr. • Conroe, TX 77303

*each part number links to web site part

| ITEM NO. | PART NUMBER | DESCRIPTION | QTY. |
|----------|-------------|-------------------------------------|------|
| 1 | 8002385 | TOOL BOX PART | 1 |
| 2 | 626 | PISTON RING FITTING PLIERS COMPLETE | 1 |
| 3 | 90655 | 30 X 32 DOUBLE ENDED OPEN WRENCH | 1 |
| 4 | 92015 | 17 X 19 DOUBLE ENDED OPEN WRENCH | 1 |
| 5 | 90055 | 5MM HEX KEY | 1 |
| 6 | 90862 | 6MM HEX KEY | 1 |
| 7 | 90194 | 19MM HEX KEY | 1 |
| 8 | 90795 | GREASE GUN, 14 OZ | 1 |
| 9 | 93551 | MOLYLUBE GREASE | 1 |
| 10 | 90443 | 19 X 22 OPEN END WRENCH | 1 |
| 11 | 202013 | PISTON RING BAND | 1 |
| 12 | 91336 | M30 RING SCREW | 1 |
| 13 | 90657 | 8MM HEX KEY | 1 |
| 14 | 90184 | 46MM WRENCH | 1 |
| 15 | 93600 | OIL CAN | 1 |
| 16 | 95071 | 17MM WRENCH SINGLE OPEN END | 1 |
| 17 | 90465 | 27MM SINGLE ENDED OPEN WRENCH | 1 |
| 18 | 205015 | 41MM SINGLE ENDED OPEN WRENCH | 1 |
| 19 | 90354 | PUNCH 4/8 DIAMETER | 1 |
| 20 | 93349 | PUNCH 12/16 DIAMETER | 1 |
| 21 | 90791 | GREASE NIPPLE M10 X 1 | 2 |
| 22 | 91321 | 10MM X 75 ROLL PIN | 2 |
| 23 | 90160 | 6MM X 60 ROLL PIN | 2 |
| 24 | 90079 | 14MM HEX KEY | 1 |
| 25 | 90496 | 10MM HEX KEY | 1 |
| 26 | 90785 | PLIERS A19 | 1 |
| 27 | 261513 | 13 X 15 DOUBLE ENDED RING WRENCH | 1 |
| 28 | 94461 | IMPACT SOCKET 36MM | 1 |
| 29 | 95834 | WRENCH 22 X 24 | 1 |
| 30 | 93352 | SPANNER 375×46 | 1 |
| 31 | 90196 | RACHET | 1 |
| 32 | 205014 | BAR 525X20 | 1 |

PILECO, Inc.

office (936)494-4200 • 1-800-409-0018 • fax (936)494-4517
 www.Pileco.com • 491 Conroe Park W. Dr. • Conroe, TX 77303