

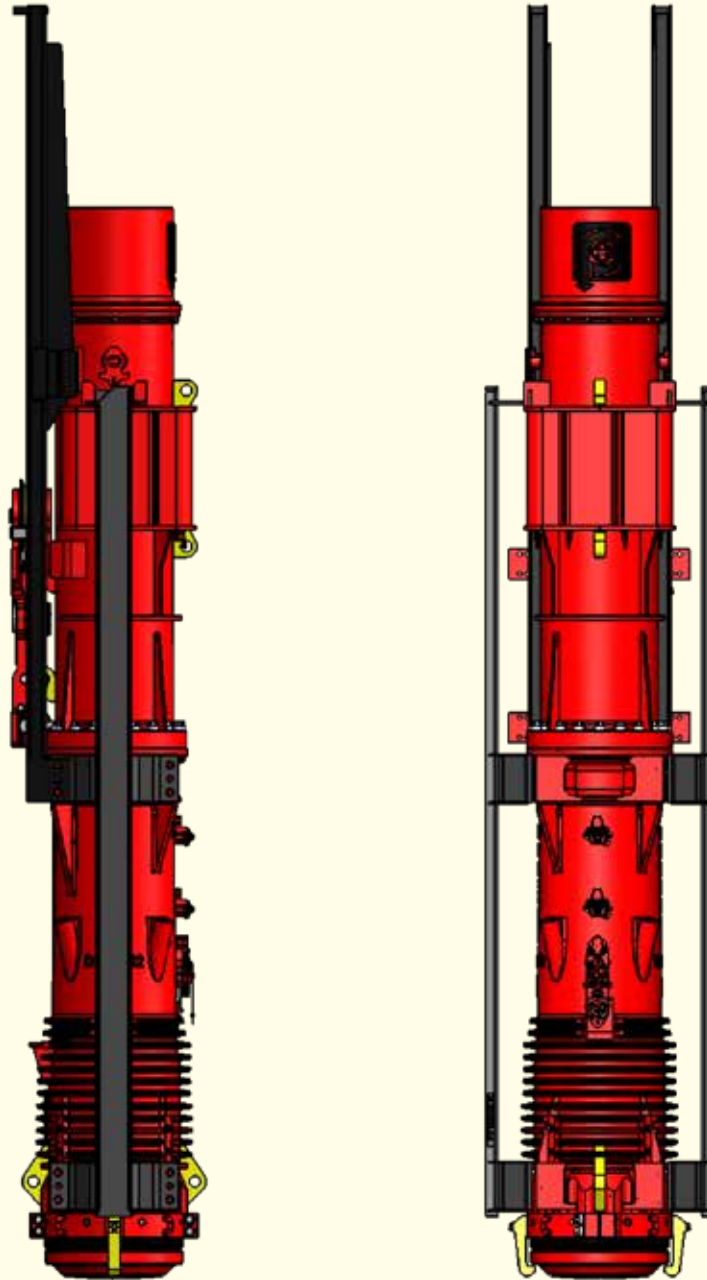


PILECO INC.

Diesel Pile Hammer **D138-32**

Parts Manual

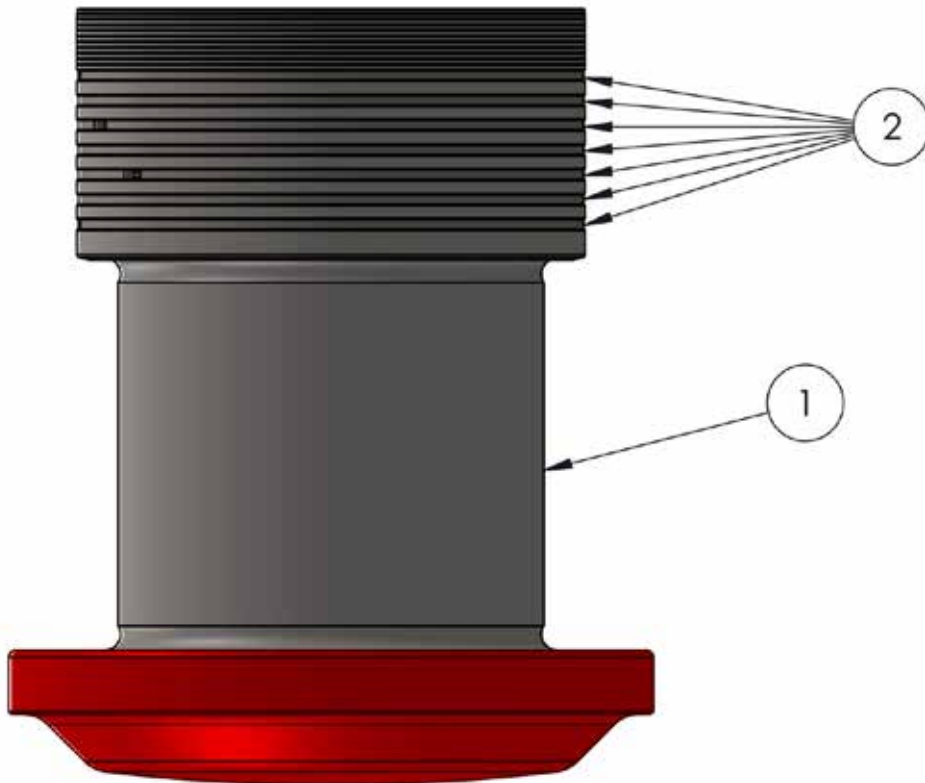
Parts Manual



Contents Page

Impact Block	page #3
Striking Weight Piston	page #4
Lower Cylinder Complete	page #5
Lube Pump	page #6-8
Cylinder Complete	page #9
Pressure Valve	page #10
Piston Complete	page #11
Manual Delivery Fuel Pump	page #12-18
Pump Element 41MM	page #19
Stop Valve Complete	page #20
Suction Valve Complete	page #21
Check Non-Return Valve	page #22
Hydraulic Variable Delivery Fuel Pump	page #23-25
Fuel Pump Control	page #26
Hydraulic Hand Pump	page #27-28
Manifold Complete	page #29
Hand Pump 1/4" Hose assembly	page #30
Fuel Injection Device	page #31-32
Threaded Pipe Joint	page #33
Upper Cylinder Complete	page #34-35
Filter Assembly	page #36
Hydraulic Start Cylinder Ring	page #37
U-48 X 8 Lead Guiding Assembly	page #38

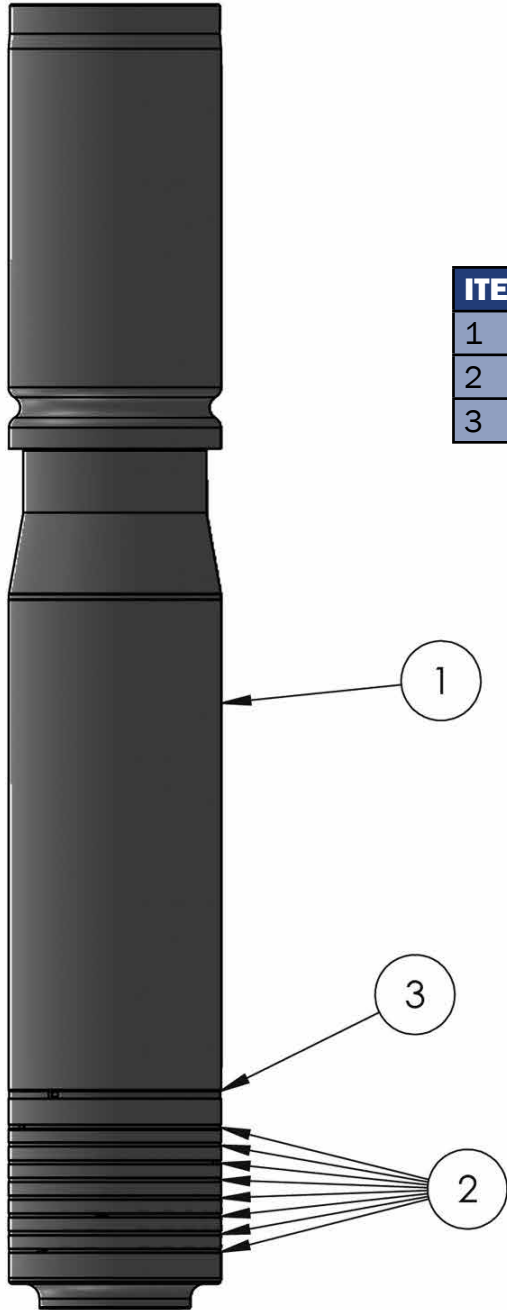
Impact Block Complete



Rotate Rings
120° As
Stacked

ITEM NO.	PART NUMBER	DESCRIPTION	QTY.
1	210201	IMPACT BLOCK	1
2	210202	PISTON RING	7

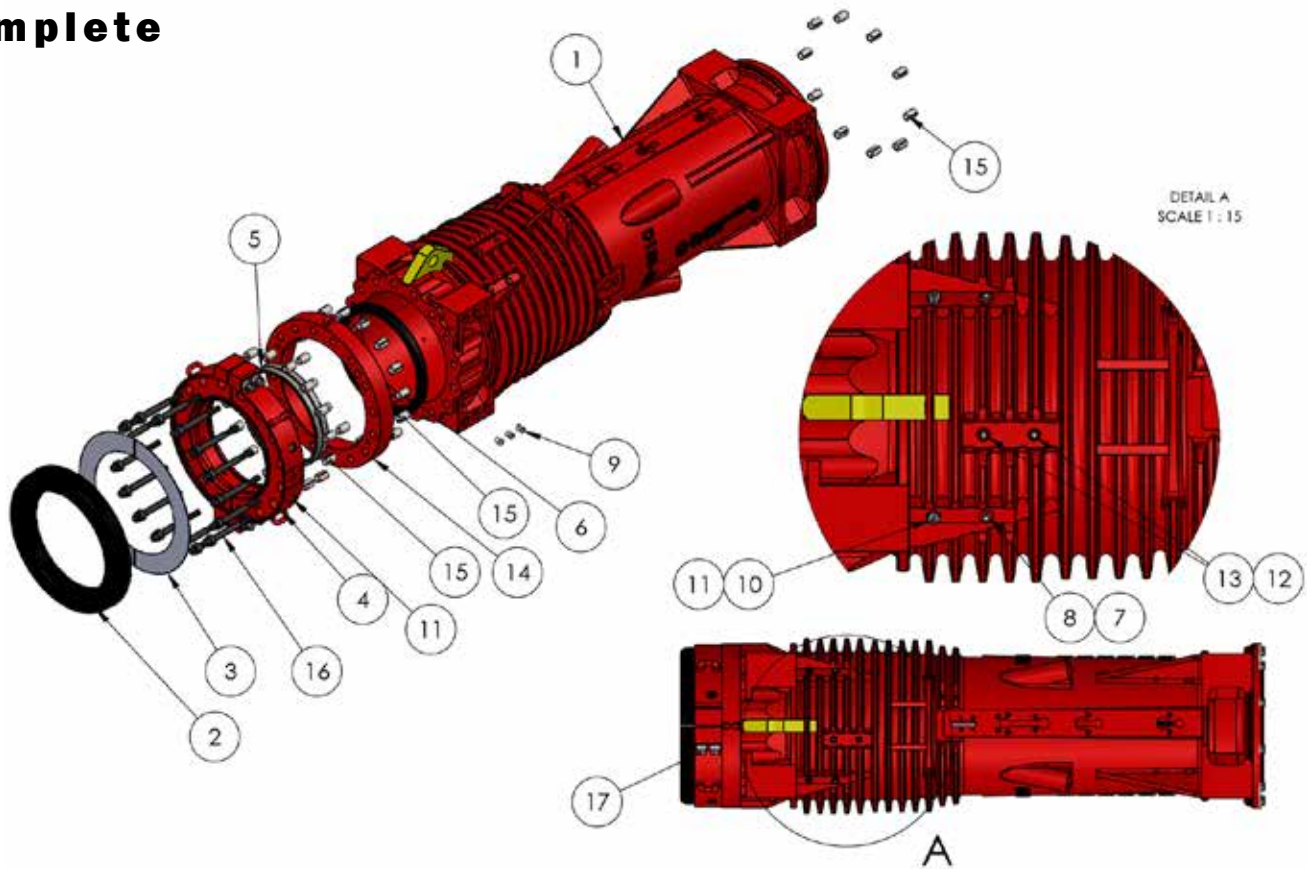
Striking Weight (Piston) Complete



ITEM NO.	PART NUMBER	DESCRIPTION	QTY.
1	210303	STRIKING WEIGHT(PISTON)	1
2	210202	PISTON RING	8
3	210304	CATCH PISTON RING	1

Rotate Rings
120° As
Stacked

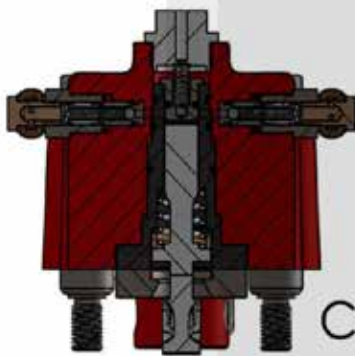
Lower Cylinder Complete



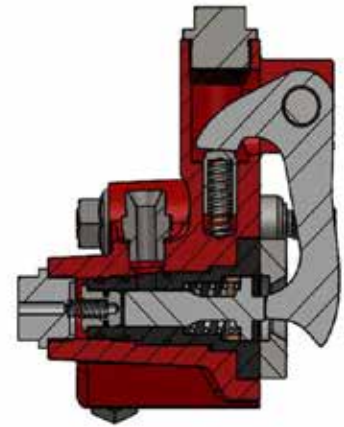
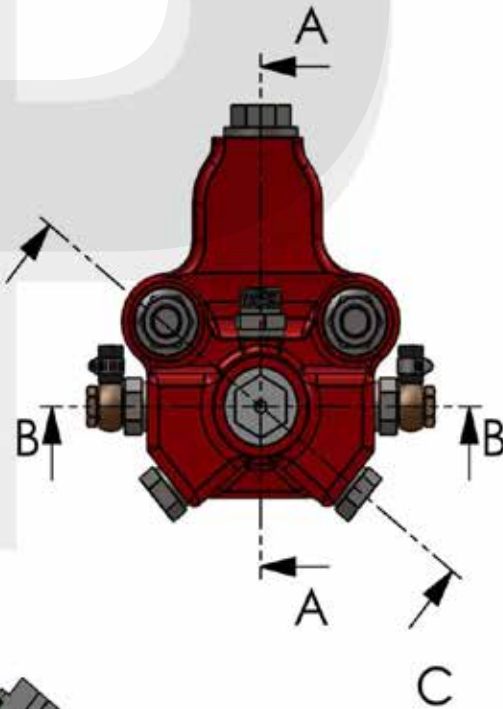
ITEM NO.	PART NUMBER	DESCRIPTION	QTY.
1	210103-125	D138 LOWER CYLINDER PART	1
2	210102	RUBBER RING	1
3	210109	SPACER RING	1
4	210104	CYLINDER END RING COMPLETE (2 PCS)	1
5	94281	DOWEL PIN 50 X 80	42
6	210105	INNER END RING	1
7	210002	INNER DAMPING RING	1
8	92031	SEALING RING A20 X 24	4
9	92016	20MM X 1.5 PLUG SCREW	4
10	93233	36M THREADED INSERT	24
11	22592	REDUCER	8
12	90791	GREASE NIPPLE M10 X 1	8
13	90002	SEALING RING 18 X 22	2
14	91460	PLUG SCREW M18 X 1.5	2
15	210106	TRICK RING	1
16	210107	HEX BOLT M36 X 320	16
17	20038	HEX BOLT M36 X 210	4



Lube Pump

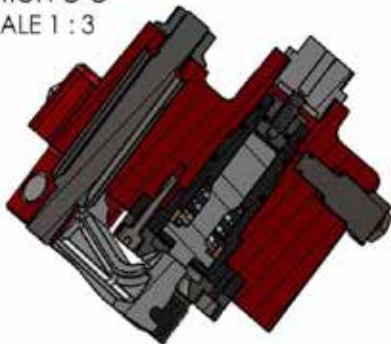


SECTION B-B
SCALE 1 : 3

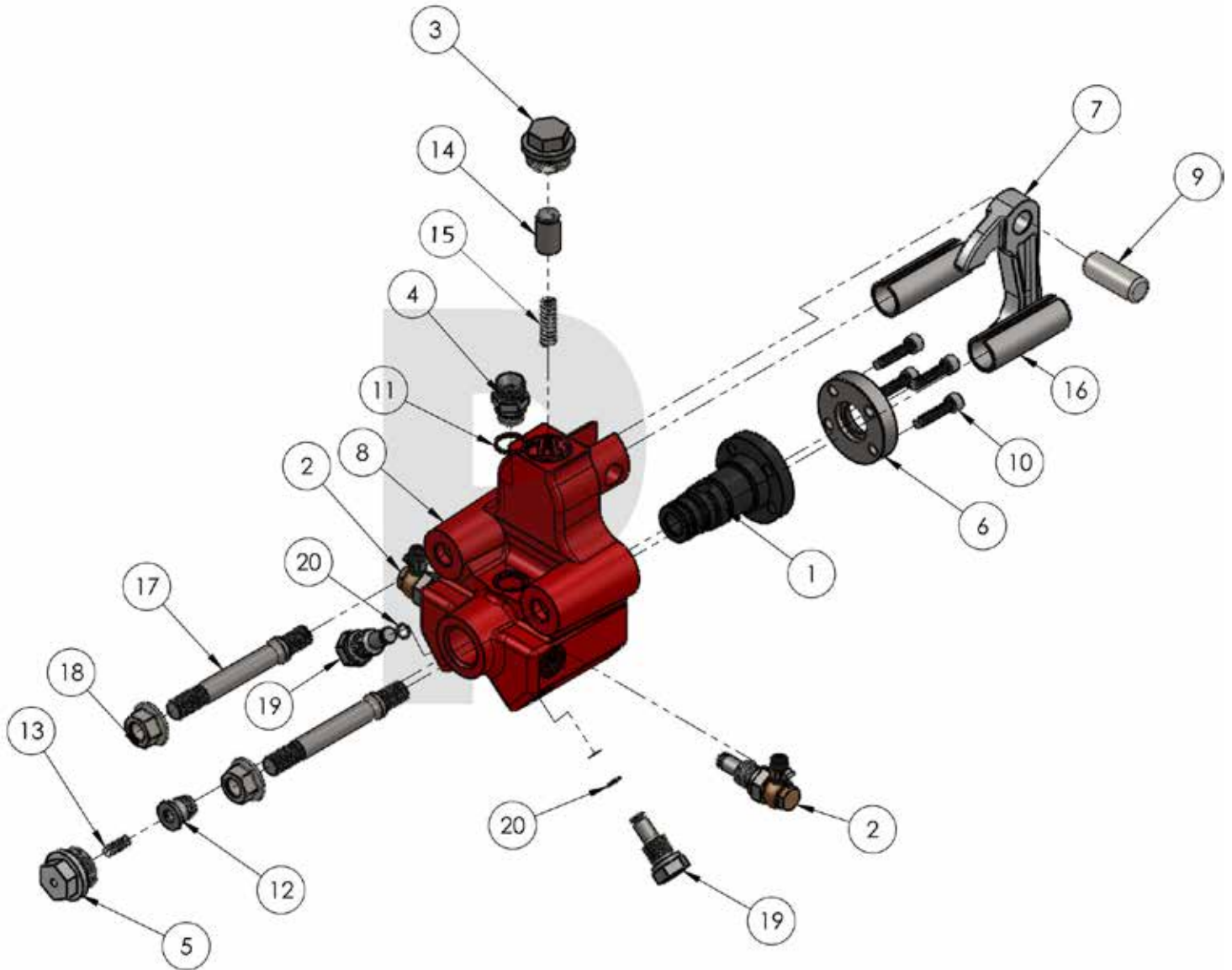


SECTION A-A
SCALE 1 : 3

SECTION C-C
SCALE 1 : 3



**Lube Pump
Complete**

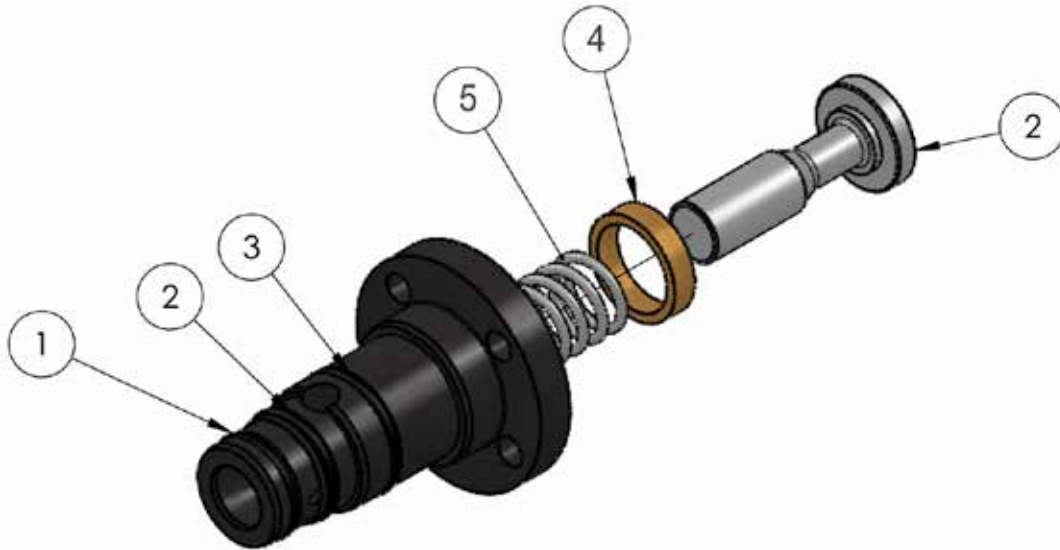


Continued.....

**Lube Pump
Complete**

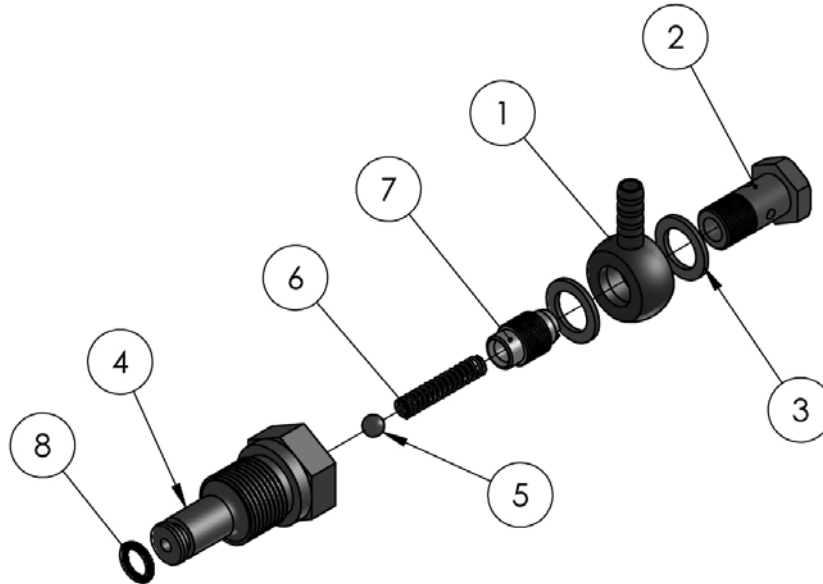
*each part number links to web site part

ITEM NO.	PART NUMBER	DESCRIPTION	QTY.
1	67279	CYLINDER COMPLETE	1
2	108317	PRESSURE VALVE COMPLETE	3
3	91976	PLUG SCREW	1
4	67290	ADAPTER	1
5	108328	PLUG SCREW	1
6	67282	WASHER	1
7	22081	LUBE PUMP LEVER	1
8	108315	LUBE PUMP BODY	1
9	22082	PUMP LEVER PIN	1
10	90937	M8 x 35 DIN 912 8.8	4
11	92031	SEALING RING A20 X 24	1
12	67284	PISTON COMPLETE	1
13	190479	PRESSURE SPRING 7.3 X 29.4 X 1.2	1
14	22090	SLEEVE	1
15	22089	PRESSURE SPRING 10 X 43 X 2	1
16	94315	DOWEL PIN 28 X 80 DIN 7346	2
17	20189	PUMP STUD M16	2
18	94722	M16 WASHER NUT	2
19	108316	PLUG SCREW	1
20	97855	O RING 8 X 2	1

**Cylinder
Complete**


*each part number links to web site part

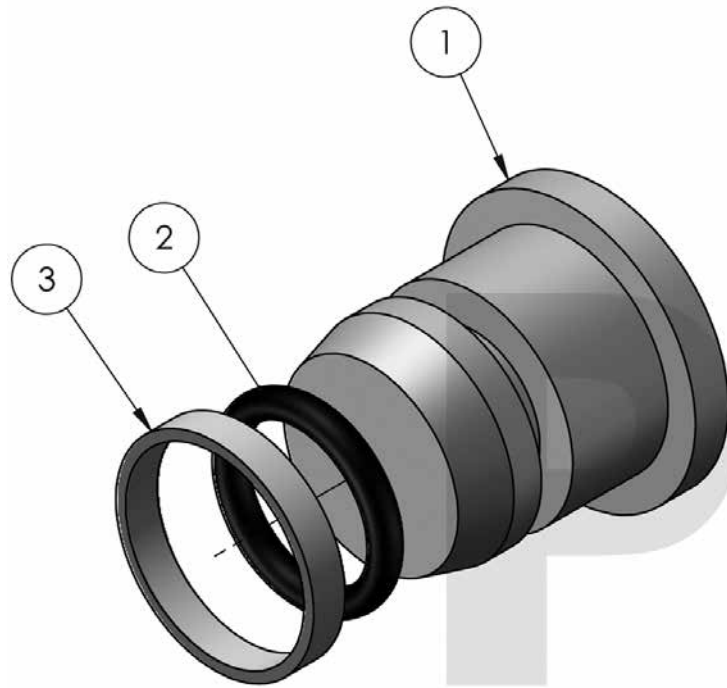
ITEM NO.	PART NUMBER	DESCRIPTION	QTY.
1	205020	O RING 24 X 3	1
2	91357	O RING 26 X 3	1
3	92952	O RING 30 X 3	1
4	67283	RING	1
5	97325	PRESSURE SPRING 22 X 52 X 2, 8	1

**Pressure Valve
Complete**


*each part number links to web site part

ITEM NO.	PART NUMBER	DESCRIPTION	QTY.
1	97949	RING NIPPLE	1
2	97948	HOLLOW SCREW A6 DIN 7623-6.8	1
3	91417	SEALING RING A12 X 15.5 DIN 7603-CU	2
4	108319	ADAPTER	1
5	90307	BALL 6MM DIN 5401	1
6	190005	PRESSURE SPRING 5 X 36 X 0.8	1
7	104679	PLUG SCREW	1
8	97855	8 X 2 O-RING	1

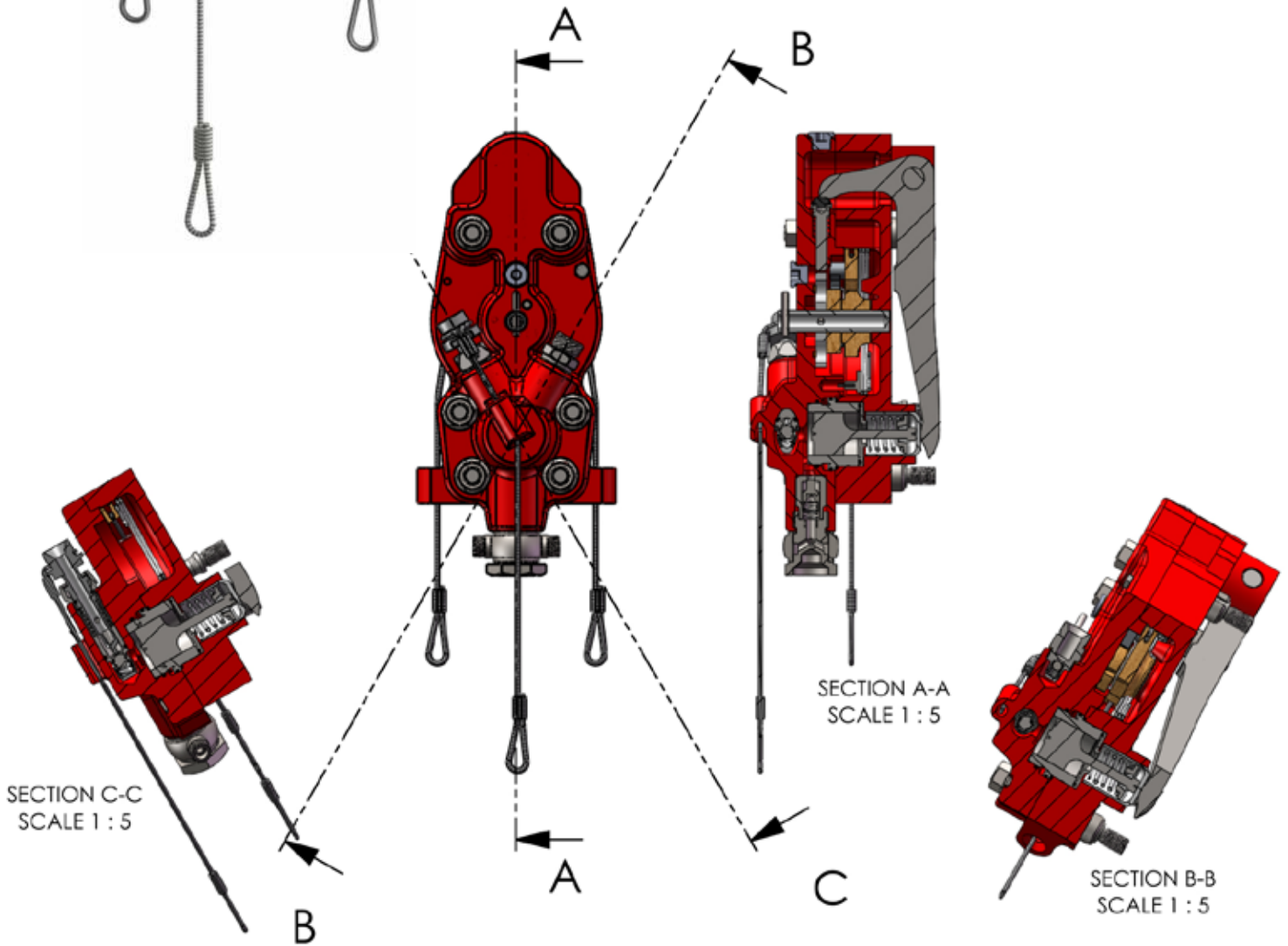
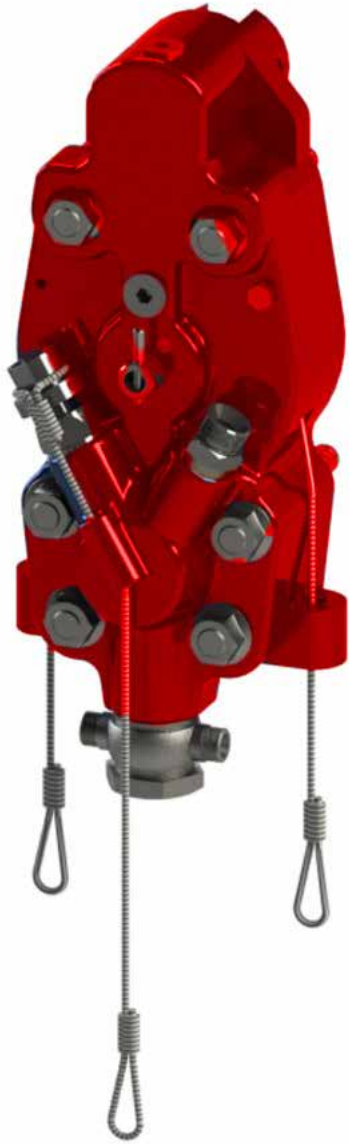
**SOLD
TOGETHER**

**Piston
Complete**


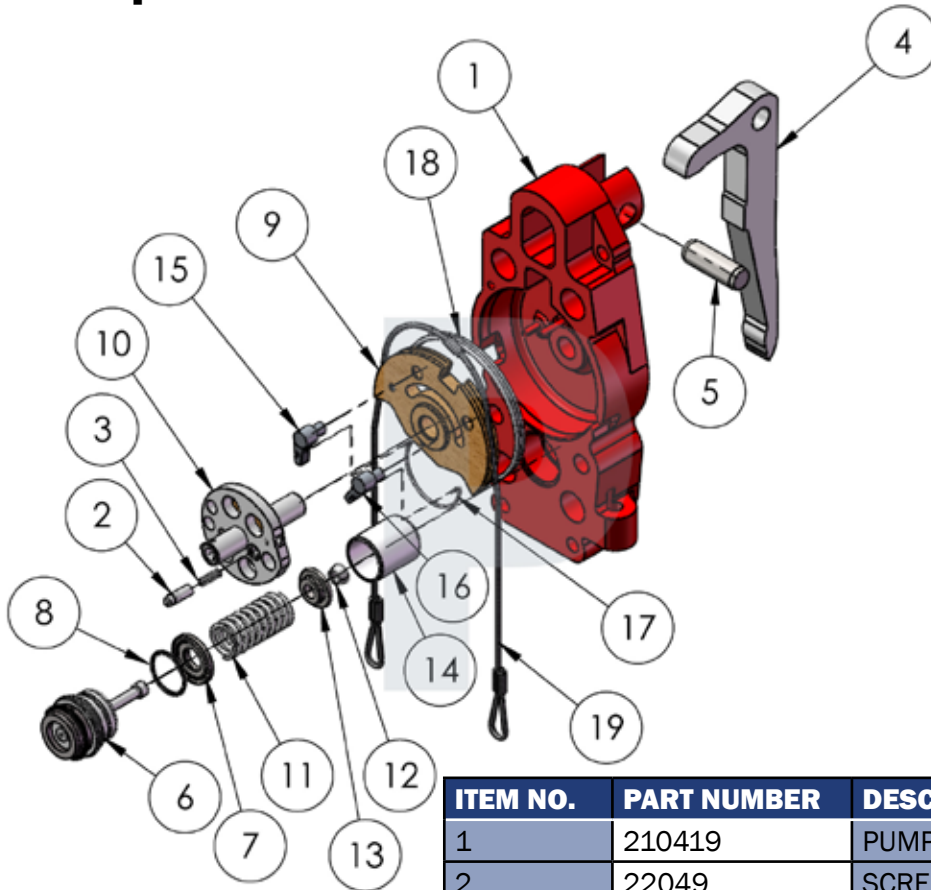
**each part number links to web site part*

ITEM NO.	PART NUMBER	DESCRIPTION	QTY.
1	67285	PISTON	1
2	97326	O RING	1
3	97326	SLIP RING	1

Manual Delivery Fuel Pump

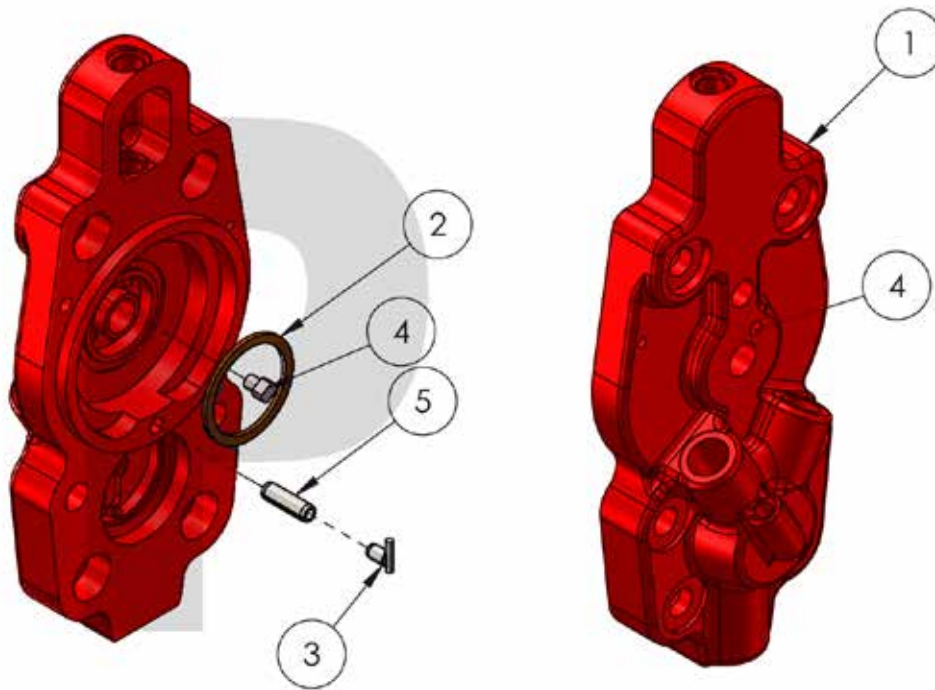


Manual Variable Delivery Fuel Pump Complete



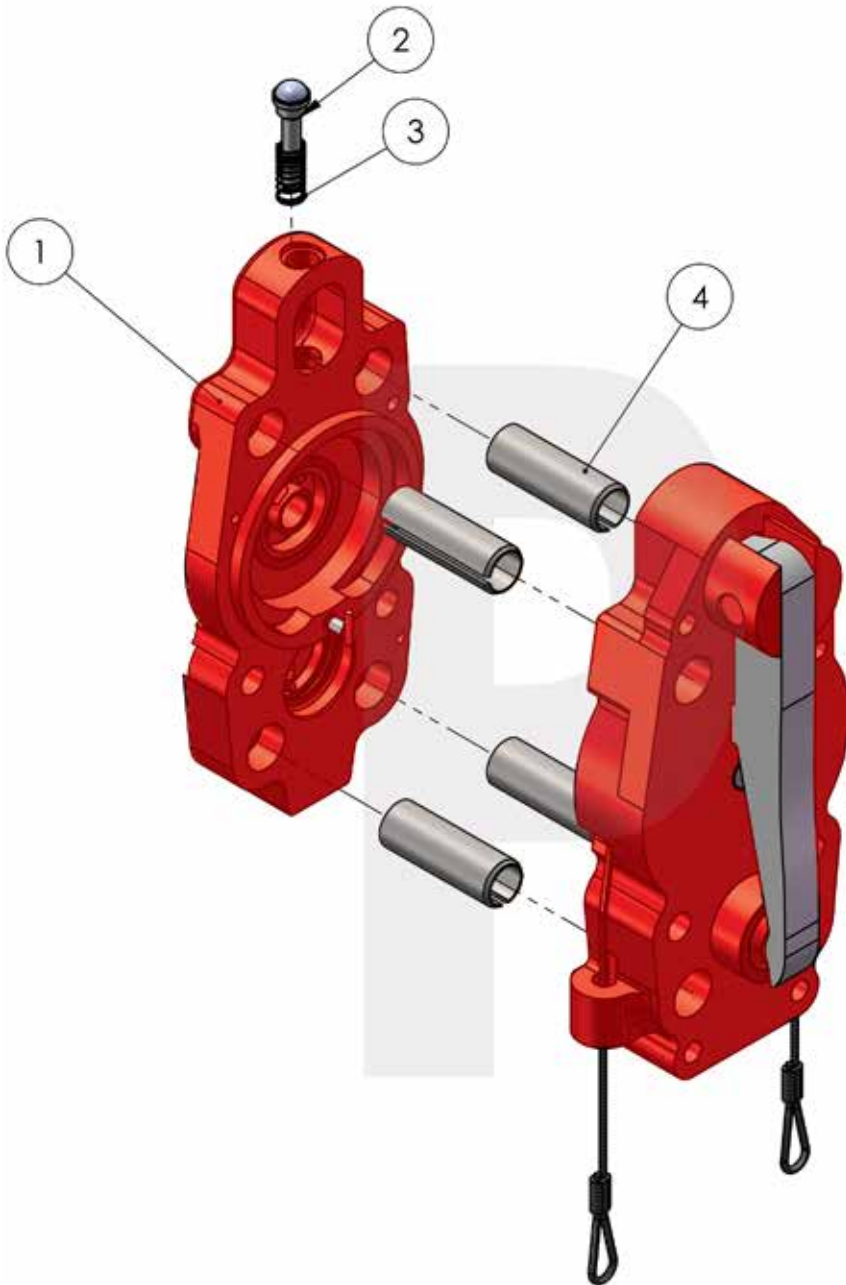
*each part number links to web site part

ITEM NO.	PART NUMBER	DESCRIPTION	QTY.
1	210419	PUMP BODY	1
2	22049	SCREEN PIN	1
3	22044	PRESSURE SPRING 5.5 X 20 X 1.2	1
4	210409	PUMP LEVER	1
5	22043	PUMP LEVER PIN	1
6	210415	D138 PUMP ELEMENT COMPLETE 41MM	1
7	210411	HOLDER RING	1
8	210410	ROUND SEALING RING 48.7 X 2.65	1
9	22040	ROPE DISC	1
10	43308	SWITCH SHAFT	1
11	22060	PRESSURE SPRING 28 X 67.2 X 3.5	1
12	22059	CONICAL RING 2 PCS	1
13	22058	SPRING RETAINING COLLAR	1
14	43287	GUIDE SLEEVE	1
15	22051	CAM	1
16	22052	CAM	1
17	22245	SPRING	1
18	22062	SWIVEL SPRING	1
19	17546	REGULATION ROPE	1

**Manual Variable Delivery Fuel
Pump Cover Complete**


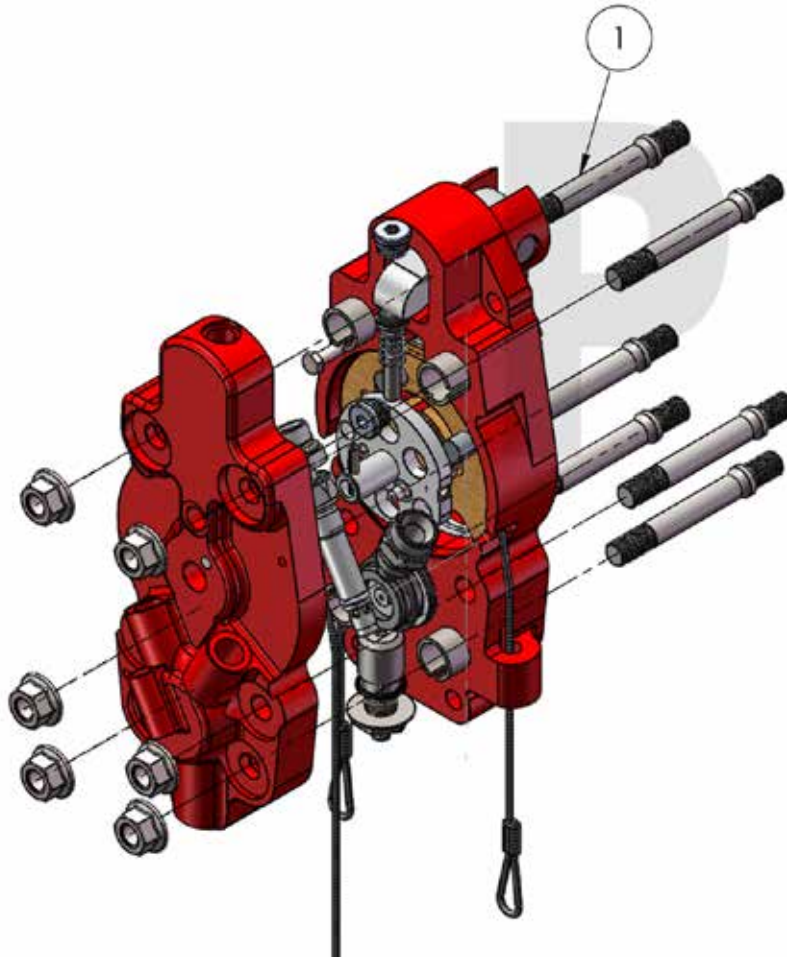
*each part number links to web site part

ITEM NO.	PART NUMBER	DESCRIPTION	QTY.
1	210420	PUMP COVER	1
2	22050	RING	1
3	22796	STOP	1
4	43307	STOP PIN	1
5	90231	10MM X 32 ROLL PIN	1

**Manual Variable Delivery Fuel Pump
Complete**


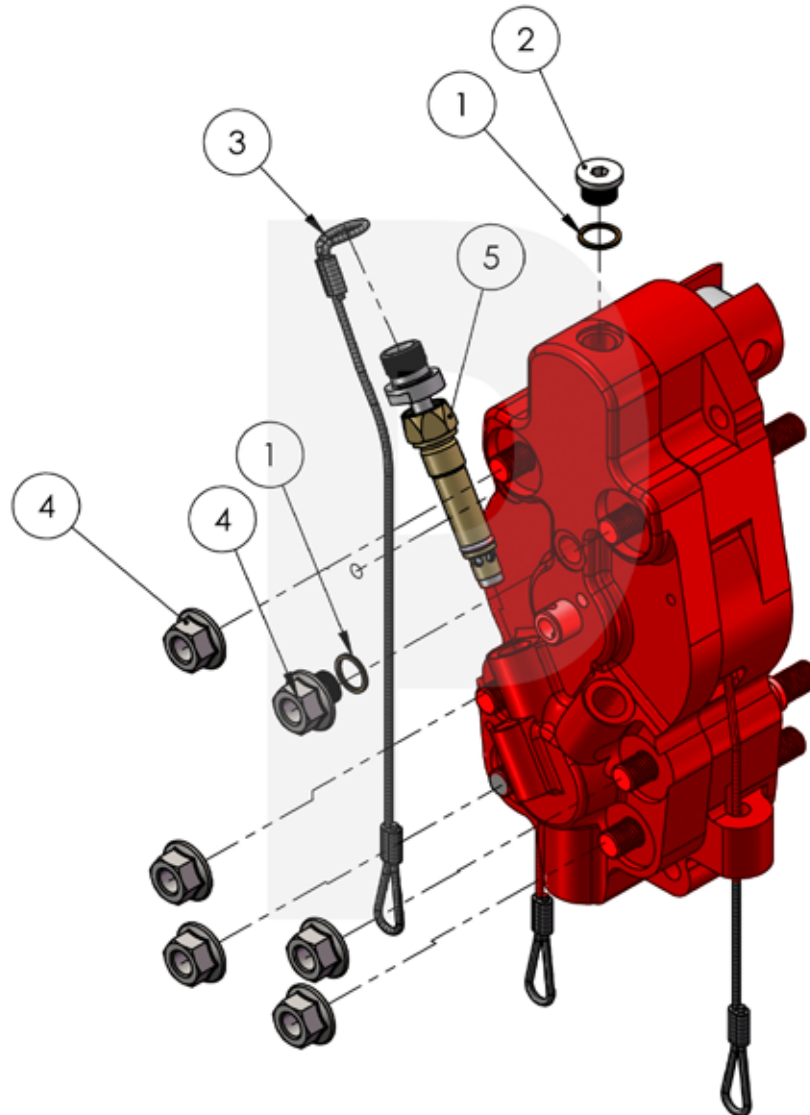
**each part number links to web site part*

ITEM NO.	PART NUMBER	DESCRIPTION	QTY.
1	210420	PUMP COVER complete	1
2	62125	PRESSURE PIECE complete	1
3	22046	PRESSURE SPRING	1
4	94315	DOWEL PIN 28 X 80	4

**Manual Variable Delivery Fuel Pump
Complete**


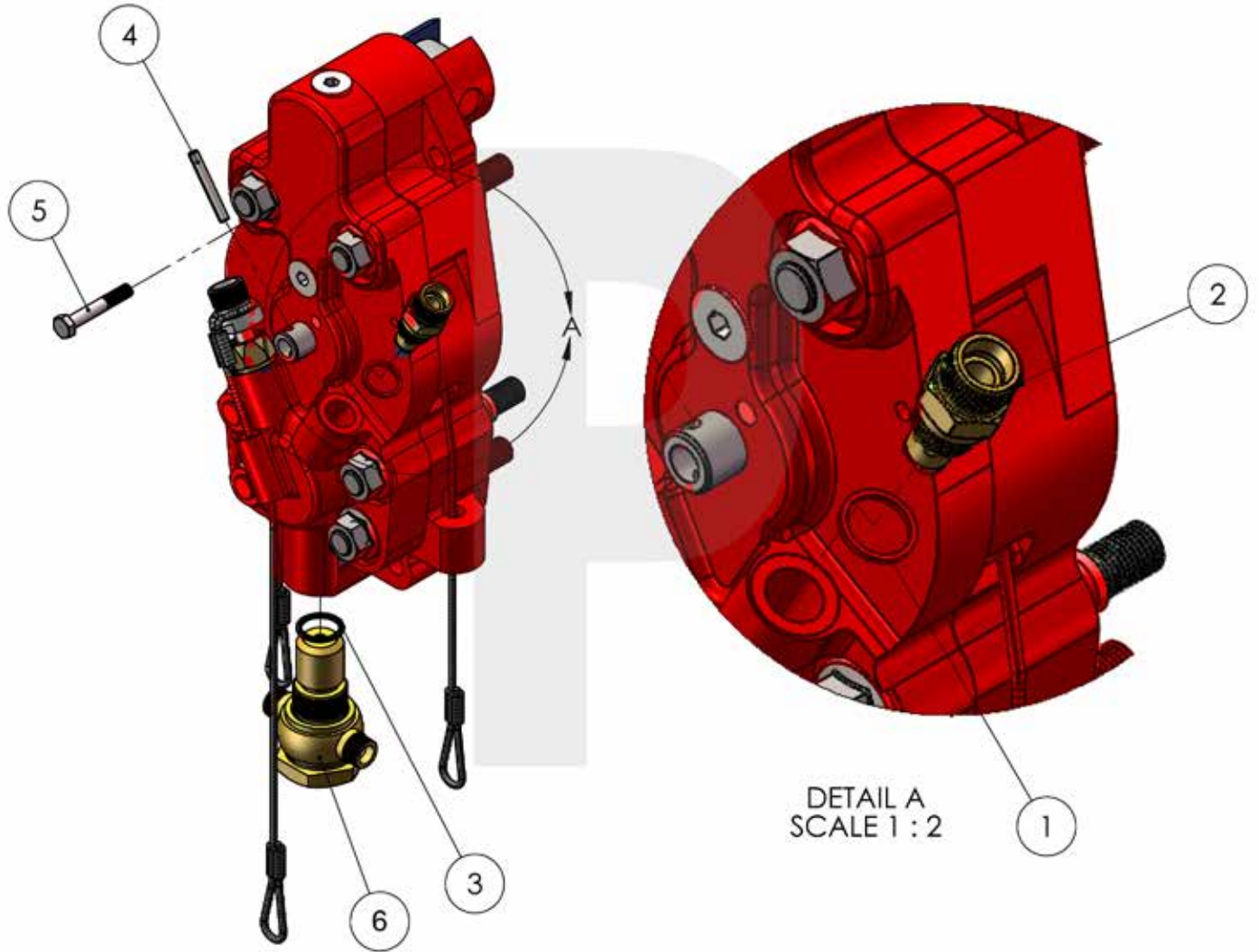
*each part number links to web site part

ITEM NO.	PART NUMBER	DESCRIPTION	QTY.
1	20189	PUMP STUD M16	6

**Manual Variable Delivery Fuel Pump
Complete**


*each part number links to web site part

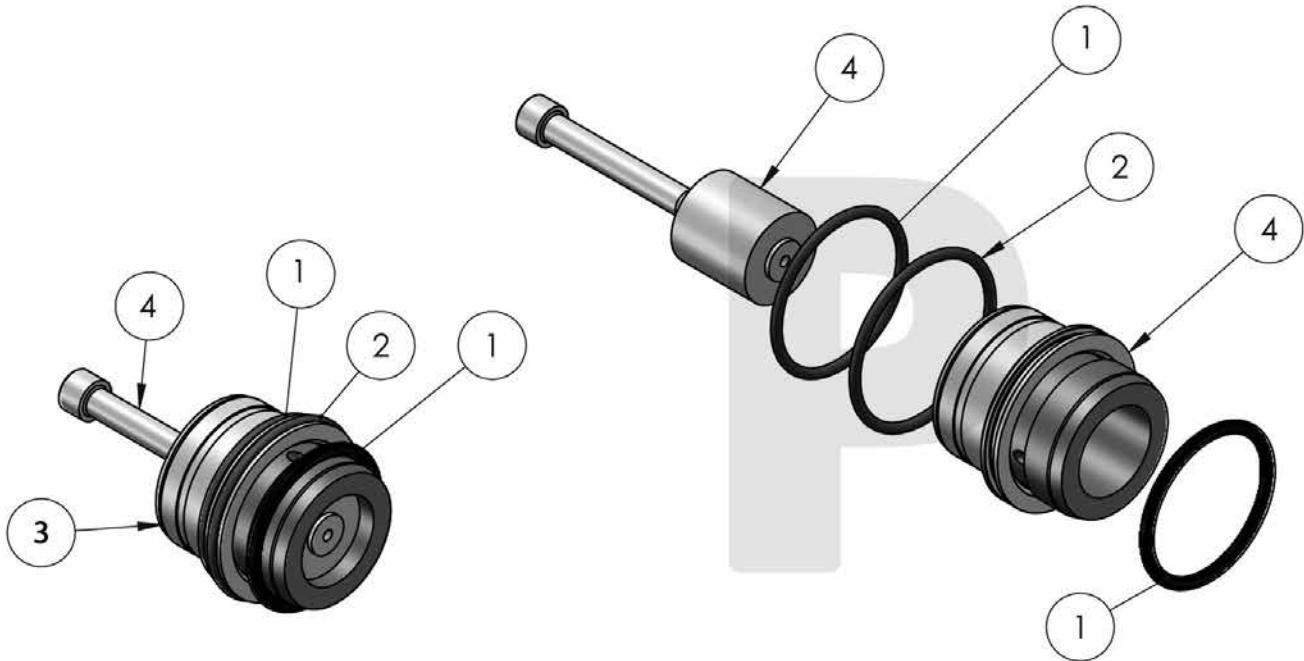
ITEM NO.	PART NUMBER	DESCRIPTION	QTY.
1	90002	SEALING RING A18 X 22	2
2	93055	PLUG SCREW M18 X 1.5	2
3	17546	REGULATING ROPE	1
4	94722	M16 WASHER NUT	6
5	210422	STOP VALVE COMPLETE	1

**Manual Variable Delivery Fuel Pump
Complete**


*each part number links to web site part

ITEM NO.	PART NUMBER	DESCRIPTION	QTY.
1	210412	SEALING RING A25 X 30	1
2	210421	SUCTION VALVE complete	1
3	91296	O-RING 22 X 3	1
4	90150	DOWEL PIN 6 X 40	1
5	93456	LOCKING SCREW M8 X 50	1
6	60827	CHECK NON-RETURN VAVLE COMPLETE	1

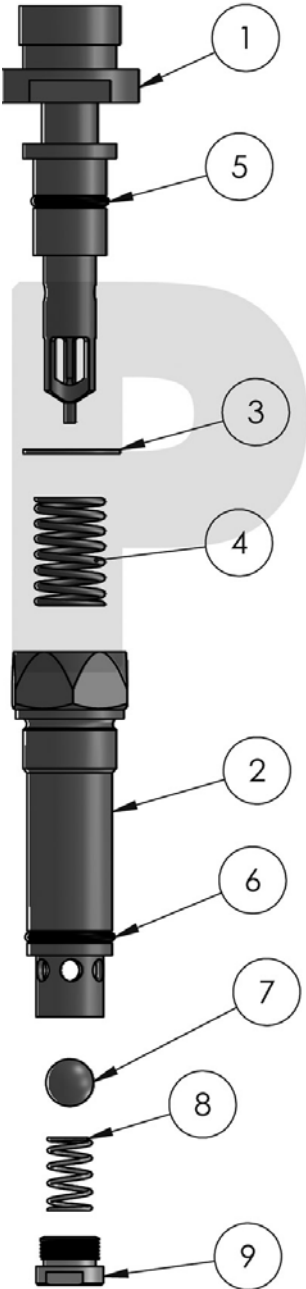
39MM Pump Element Complete



**each part number links to web site part*

ITEM NO.	PART NUMBER	DESCRIPTION	QTY.
1	210416	ROUND SEALING RING 56 X 2.65	2
2	210417	ROUND SEALING RING 60 X 2.65	1
3 not sold seperately	210415	41MM ELEMENT BODY	1
4 not sold seperately	210415	41MM ELEMENT PLUNGER	1

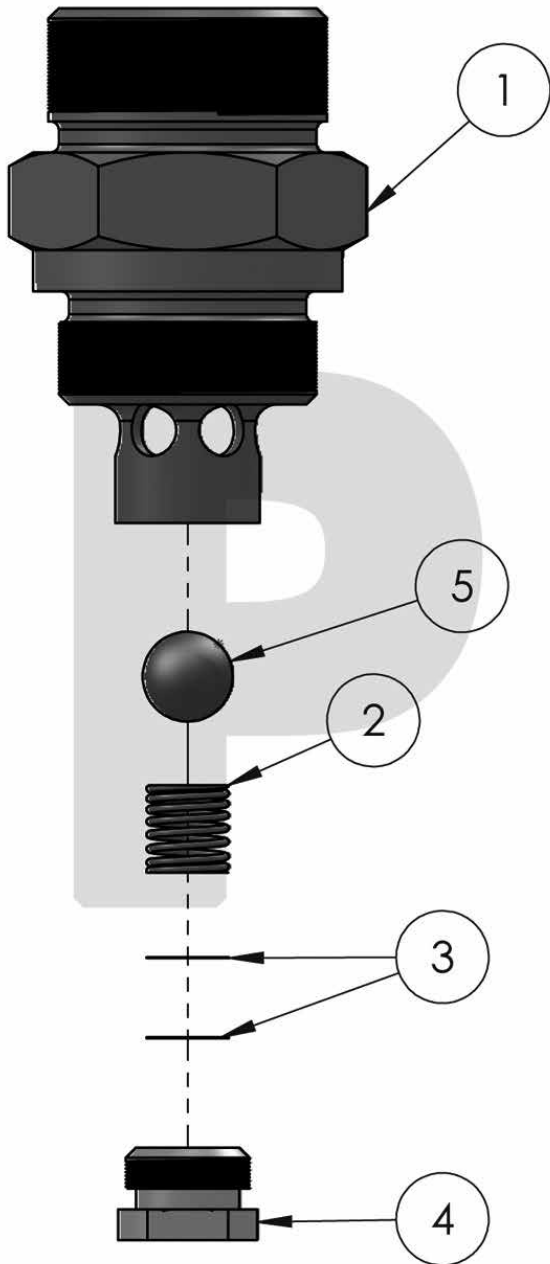
Stop Valve Complete



*each part number links to web site part

ITEM NO.	PART NUMBER	DESCRIPTION	QTY.
1	210423	VALVE PISTON	1
2	210429	VALVE SCREW	1
3	210430	25 X 1.2 CIRCLIP	1
4	210424	PRESSURE SPRING 18.8 X 2 X 30	1
5	210428	O RING 15 X 2.65	1
6	210425	O RING 18 X 2.65	1
7	210431	12.7MM BALL BEARING	1
8	210427	PRESSURE SPRING 12 X 1.2 X19.5	1
9	210426	THREADED PLUG	1

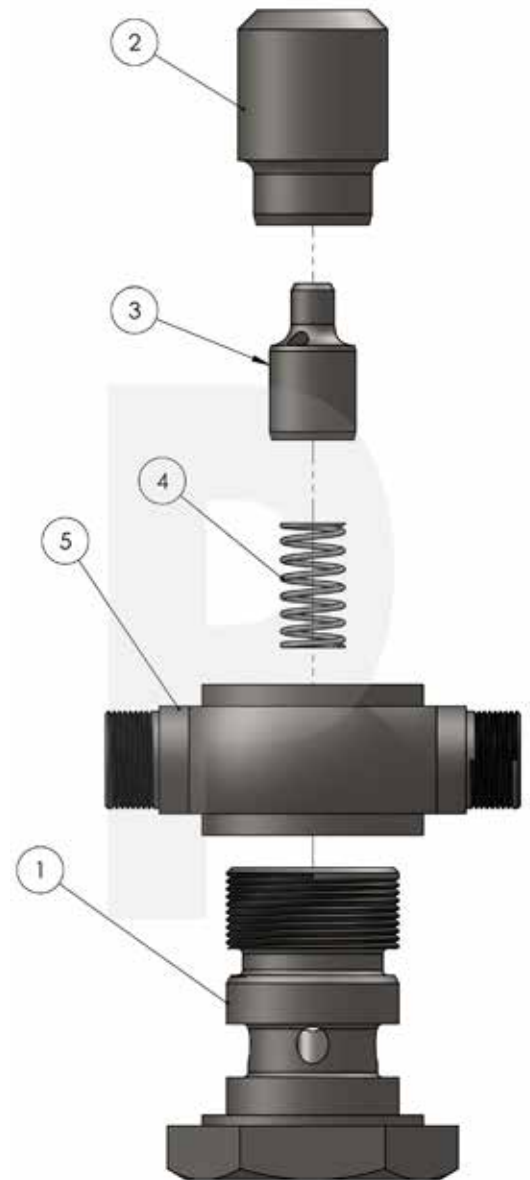
Suction Valve Complete



**each part number links to web site part*

ITEM NO.	PART NUMBER	DESCRIPTION	QTY.
1	210432	SLEEVE	1
2	22022	PRESSURE SPRING 7.3 X 8 X 0.7	1
3	22023	WASHER	2
4	41862	THREADED PLUG	1
5	98511	BALL 8.731MM	1

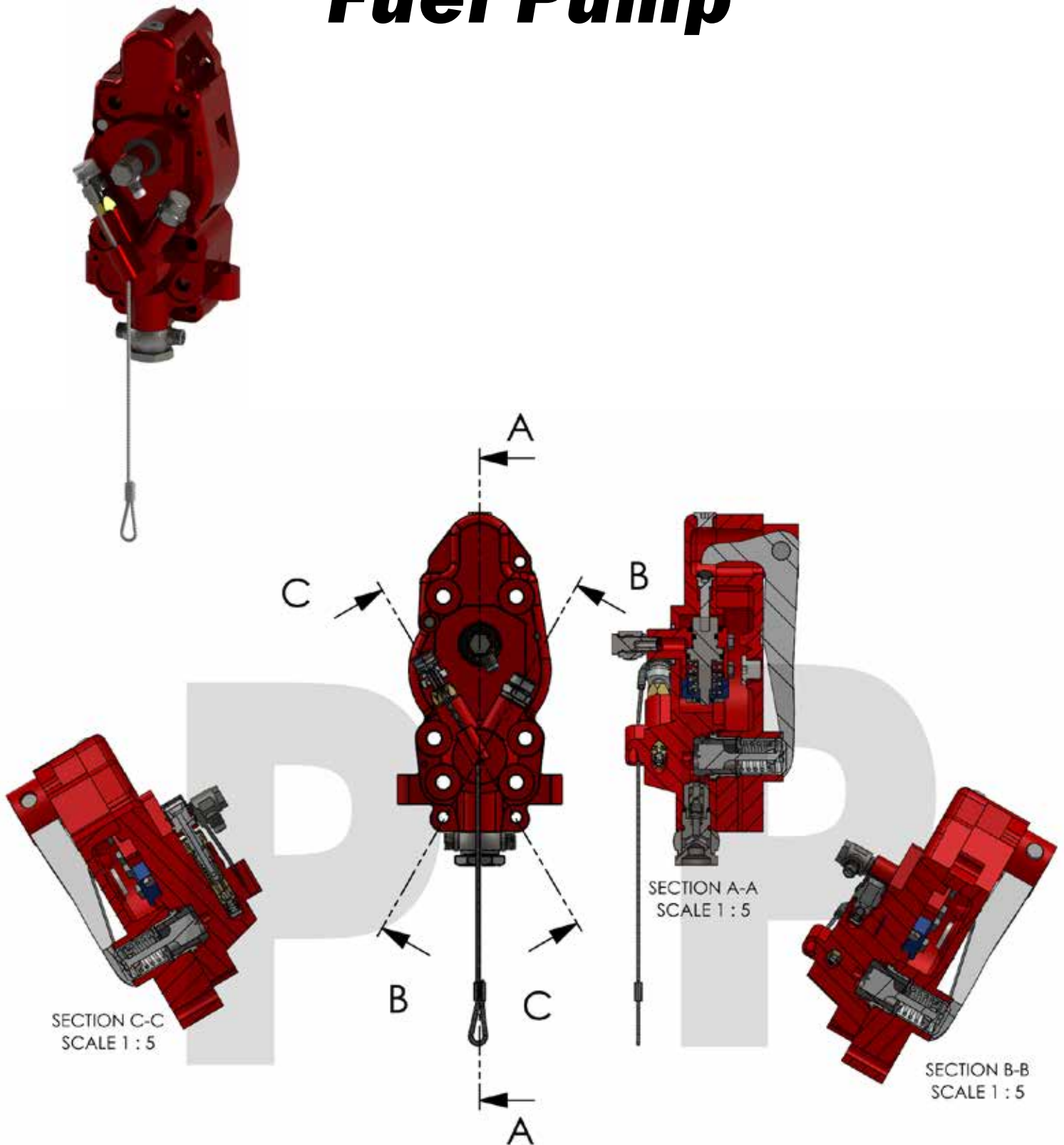
Check Non-Return Valve Complete



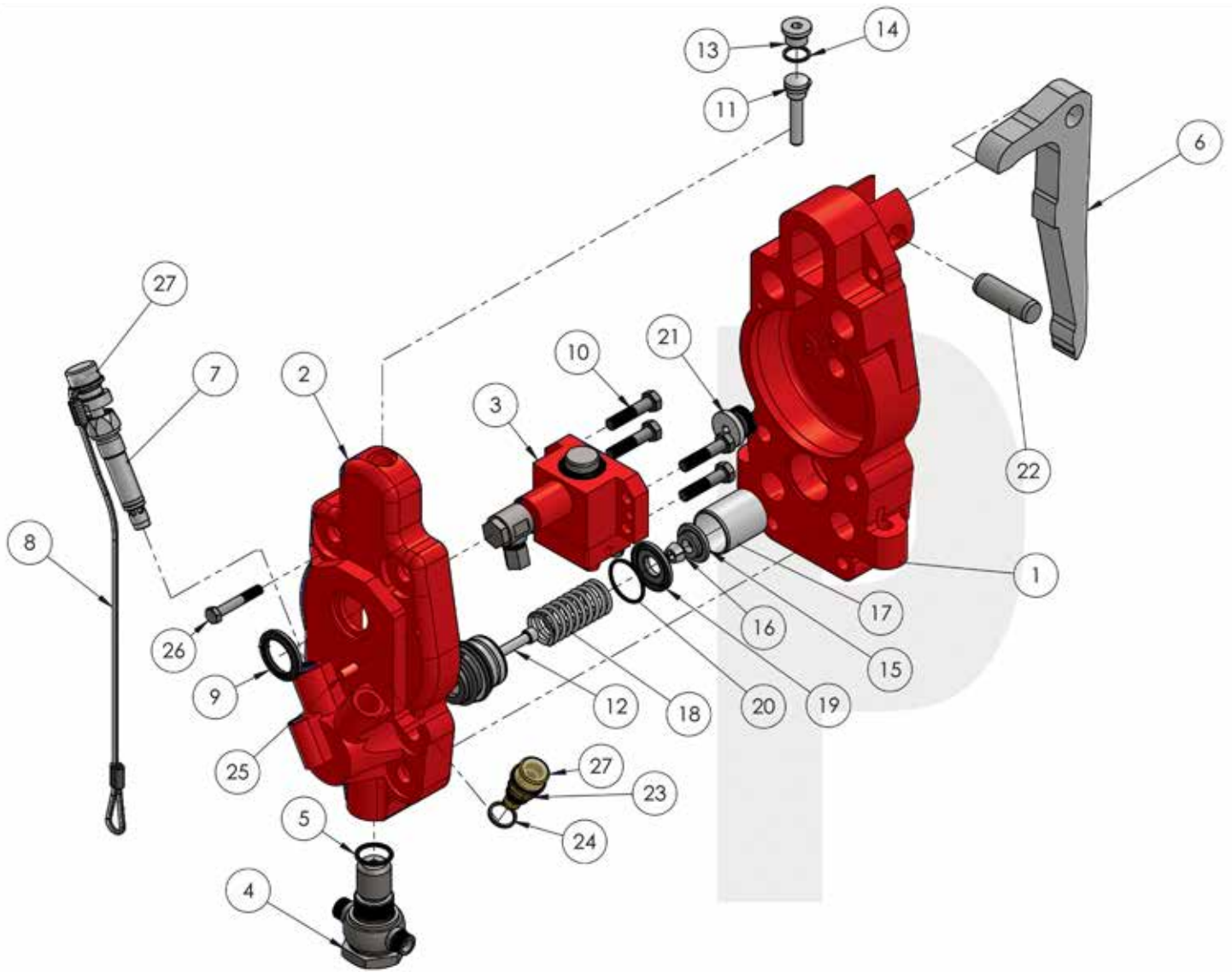
*each part number links to web site part

ITEM NO.	PART NUMBER	DESCRIPTION	QTY.
1	60194	HOLLOW SCREW	1
2	43297	HOUSING	1
3	43299	VALVE PISTON	1
4	22034	PRESSURE SPRING	1
5	60195	RING NIPPLE	1

Hydraulic Delivery Fuel Pump



**Hydraulic Variable Delivery Fuel Pump
Complete**



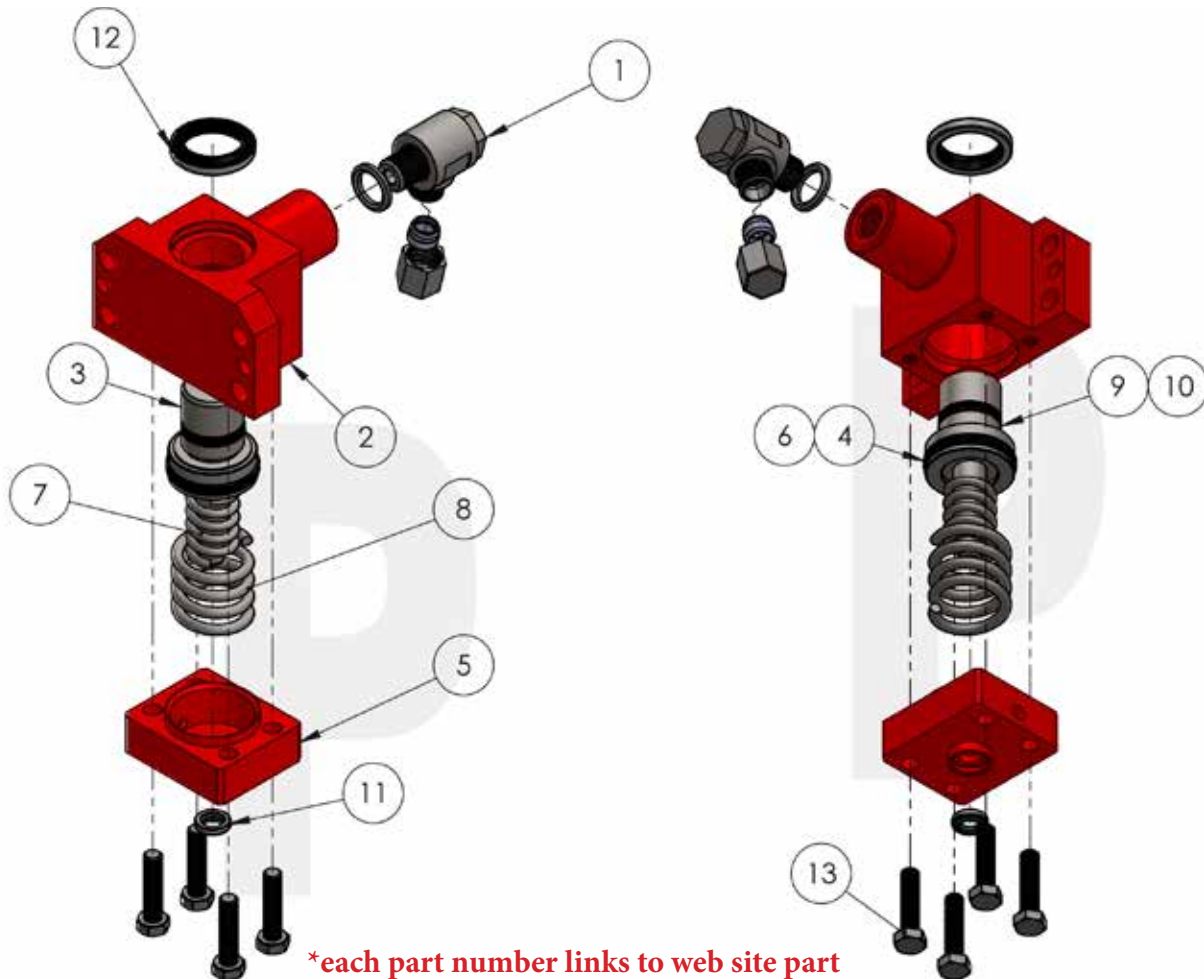
Hydraulic Variable Fuel Pump Continued.....

Hydraulic Variable Delivery Fuel Pump Complete

*each part number links to web site part

ITEM NO.	PART NUMBER	DESCRIPTION	QTY.
1	212401	PUMP BODY	1
2	212404	PUMP COVER	1
3	122446-C	FUEL PUMP CONTROL COMPLETE	1
4	60827	CHECK NON RETURN VALVE COMPLETE	1
5	91296	O RING 22 X 3	1
6	210409	PUMP LEVER	1
7	210422	STOP VALVE COMPLETE	1
8	17546	REGULATING ROPE	1
9	205507	DUST RING	1
10	93414	10-1.5 X 30 HEX HEAD CAPSCREW 8.8	4
11	205501	PRESSURE PIECE	1
12	210415	D138 PUMP ELEMENT 41MM	1
13	93055	PLUG SCREW 18 X 1.5	1
14	90002	SEALING RING 18 X 22	1
15	22058	SPRING RETAINING COLLAR	1
16	22059	CONICAL RING 2 PCS	1
17	43287	GUIDE SLEEVE	1
18	22060	PRESSURE SPRING 28 X 67.2 X 3.5	1
19	210411	HOLDER RING	1
20	210410	ROUND SEALING RING 49 X 2.5	1
21	91885	PLUG SCREW M26 X 1.5	1
22	22043	PIN	1
23	210421	SUCTION VALVE	1
24	92031	SEALING RING A20 X 24	1
25	205506	DOWEL PIN 8 X 20	1
26	93456	LOCKING SCREW M8 X 50	1
27	210413	PROTECTION CAP	2

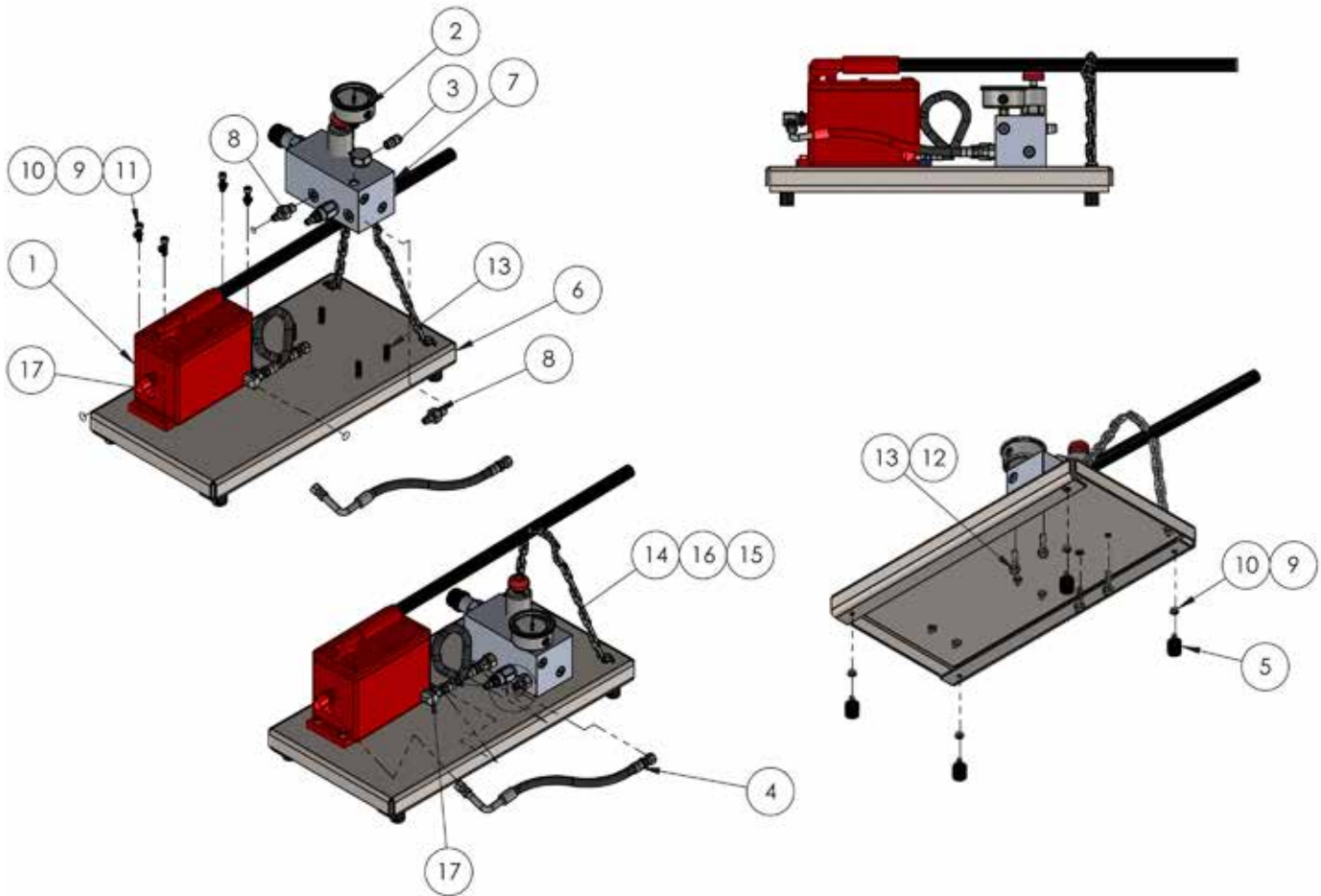
Fuel Pump Control Complete



*each part number links to web site part

ITEM NO.	PART NUMBER	DESCRIPTION	QTY.
1	205509	METRIC BITE TYPE FITTING M16 X 1.5	1
2	126538-C	CYLINDER	1
3	126539	PISTON	1
4	193444	O-RING 32.93 X 3.53	1
5	126537-C	COVER	1
6	193446	BACK UP RING	1
7	193451	PRESSURE SPRING	1
8	193450	PRESSURE SPRING	1
9	193445	O-RING 20.22 X 3.53	1
10	193447	BACK UP RING	1
11	193448	ROD WIPER	1
12	193449	ROD WIPER	1
13	93414	10 X 30 HEX HEAD CAPSCREW	4

Hydraulic Hand Pump Assembly



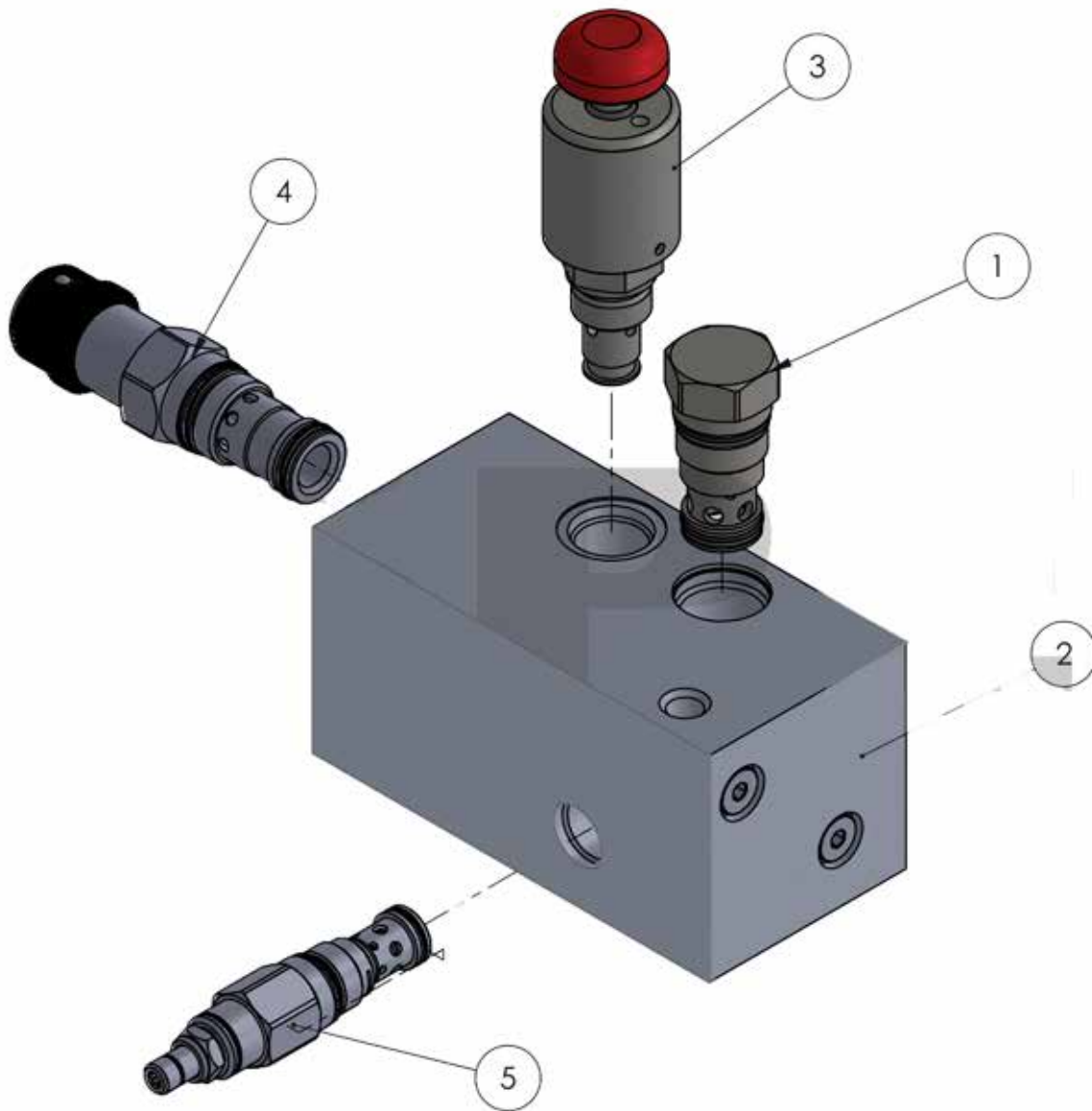
Continued...

Hydraulic Hand Pump Assembly

Hydraulic Hand Pump Continued....

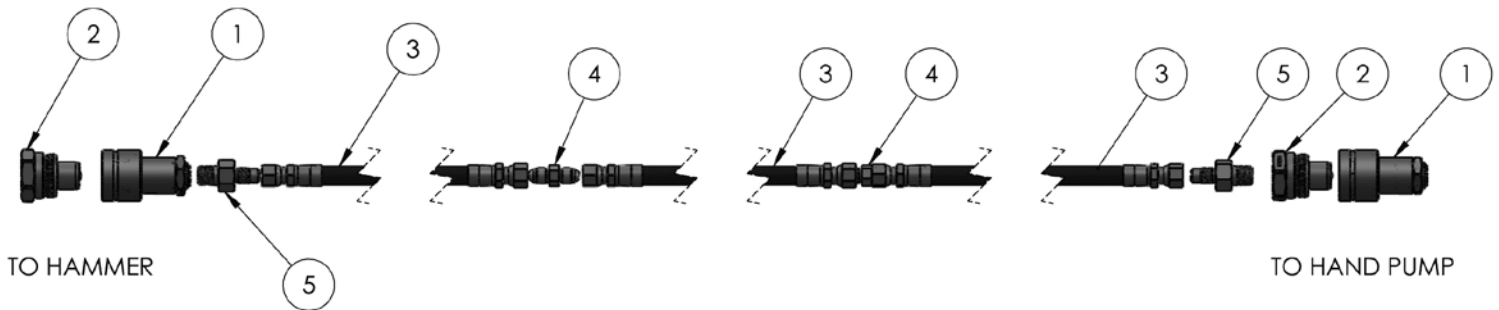
*each part number links to web site part

ITEM NO.	PART NUMBER	DESCRIPTION	QTY.
1	55107	P-51 ENERPAC PUMP	1
2	55120	G25-SL600-CB SS PRESSURE GAUGE	1
3	55121	4SAE MALE TO 1/4 NPT MALE ADAPTER	1
4	55104	1/4 JIC FEMALE SWIVEL FITTING TO 1/4 JIC FEMALE SWIV- EL 1/4 PRESSURE HOSE	1
5	55122	RUBBER FOOT 1" X 1"-1/4-20 X 3/4 BOLT	4
6	55105	PLATE	1
7	55103	MANIFOLD COMPLETE	1
8	55123	4 SAE MALE TO 1/4 JIC MALE STRAIGHT ADAPTER	2
9	55124	M6 SPLIT LOCKWASHER	14
10	55125	M6-1.0 JAM NUT	10
11	55126	6-1.0 X 25 SOCKET HEAD CAPSCREW	4
12	55127	8MM SPLIT LOCKWASHERS	4
13	55128	8-1.25 X 30 HEX HEAD CAPSCREW	4
14	55108	CHAIN LINK #2/0 X 16"	1
15	55129	6MM FLAT WASHER	2
16	55130	6-1.0 X 20 HEX HEAD CAPSCREW	2
17	55131	3/8 NPT MALE TO 1/4 JIC MALE 90 ADAPTER	2
18	55109	1/4 JIC FEMALE SWIVEL FITTING TO 1/4 JIC FEMALE SWIV- EL HOSE TO TANK	1

**Manifold
Complete**


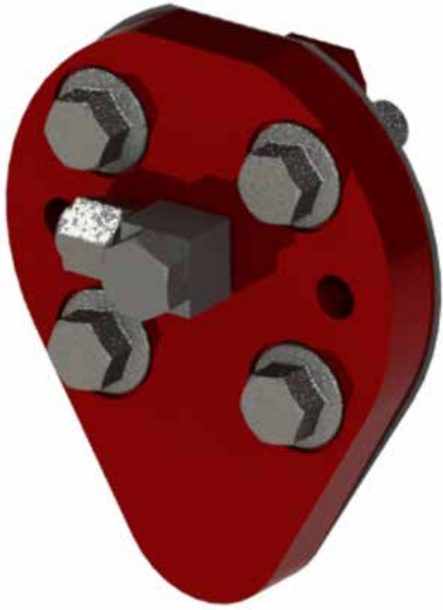
**each part number links to web site part*

ITEM NO.	PART NUMBER	DESCRIPTION	QTY.
1	55110	CXFA-XCN DIRECTION CHECK	1
2	55106	MANIFOLD	1
3	55111	DOERING DUMP VALVE	1
4	55112	NEEDLE VALVE	1
5	55113	RELIEF VALVE	1

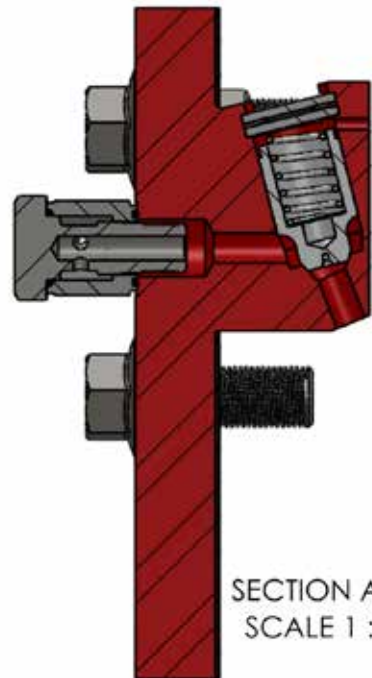
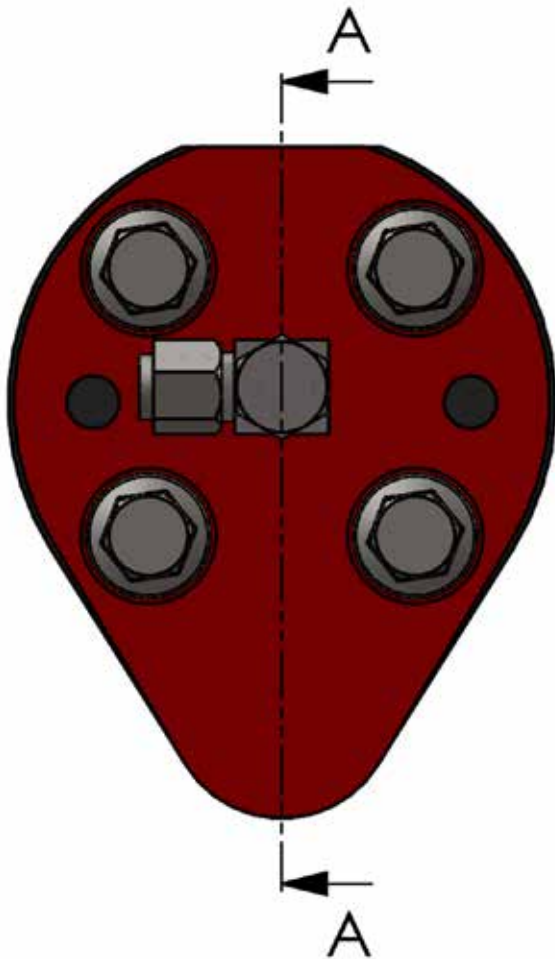
**HAND PUMP 1/4" HOSE ASSEMBLY
150FT IN 50FT SECTIONS**


**each part number links to web site part*

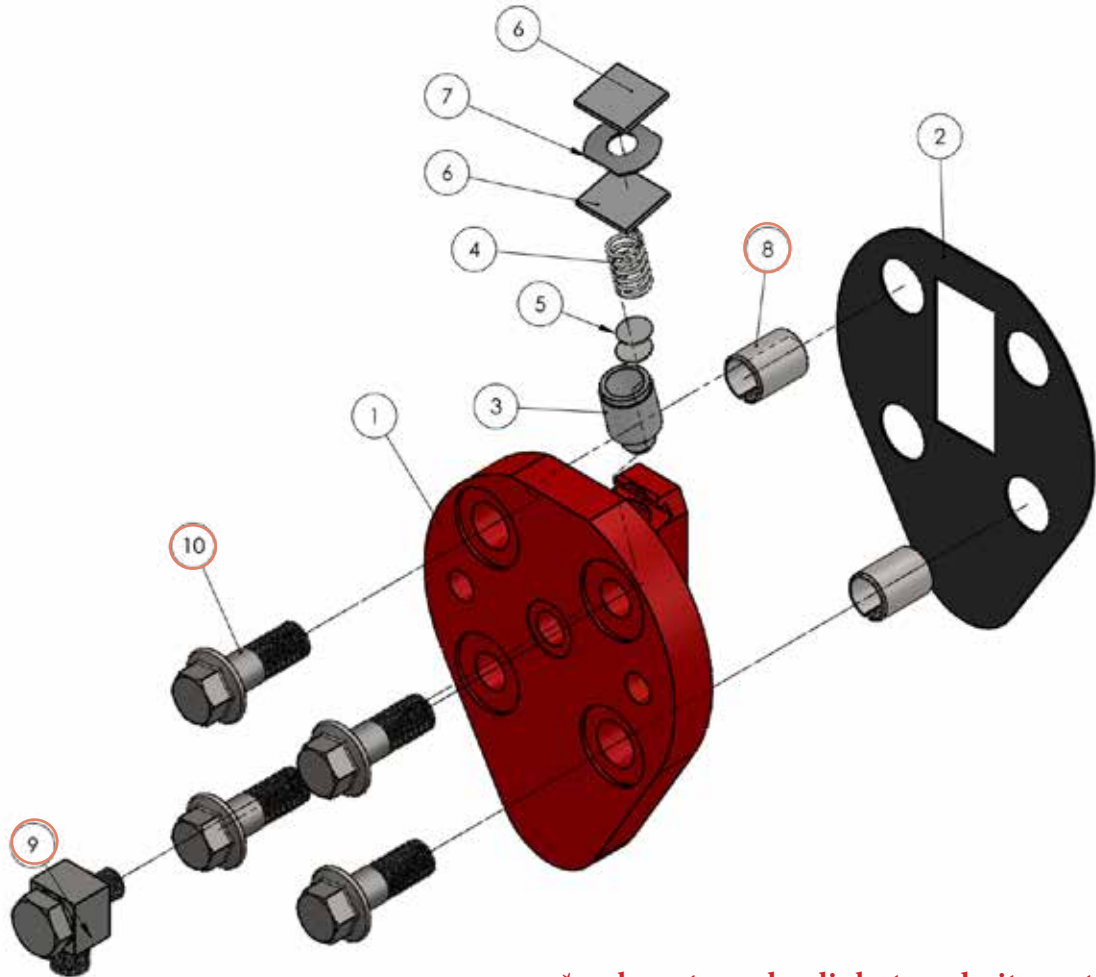
ITEM NO.	PART NUMBER	DESCRIPTION	QTY.
1	55133	1/4" COUPLER NPFT SCREW TYPE QUICK DISCONNECT FEMALE	2
2	55134	1/4" 3000 SERIES NIPPLE NPFT SCREW TYPE QUICK DISCONNECT MALE	2
3	8000440	4 FEMALE JIC TO 4 FEMALE JIC 1/4 HOSE 50FT	3
4	55137	4 JIC MALE TO 4 JIC MALE STRAIGHT ADAPTER	2
5	8001067	1/4 NPT MALE TO 1/4 JIC MALE STRAIGHT ADAPTER	2



Fuel Injection



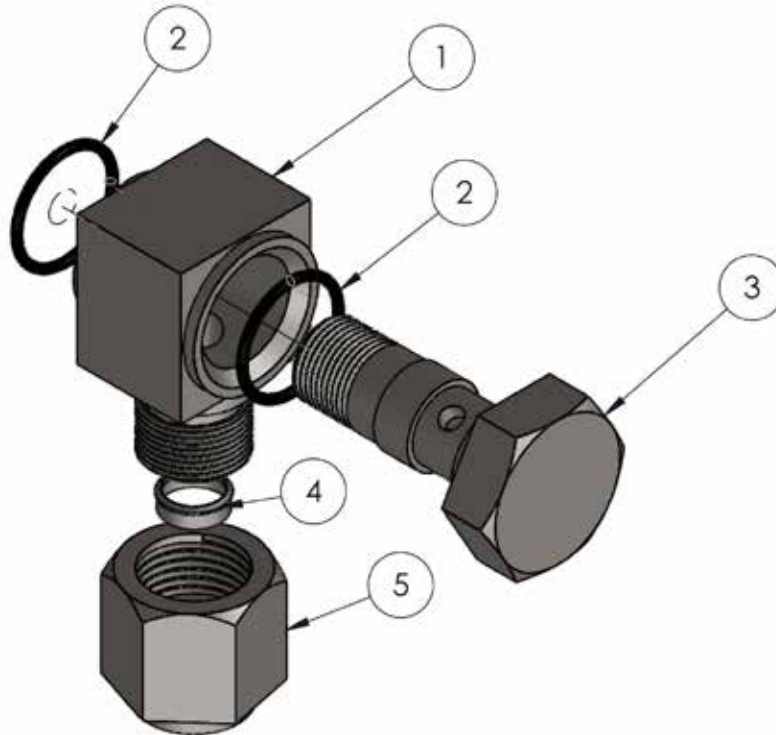
SECTION A-A
SCALE 1 : 2

**Fuel Injection Device
Complete**


*each part number links to web site part

ITEM NO.	PART NUMBER	DESCRIPTION	QTY.
1	102133	INJECTION PLATE	1
2	45647	GASKET	1
3	63843	VALVE PISTON	1
4	97569	PRESSURE SPRING	1
5	97573	ADJUSTING WASHER	2
6	64460	LOCKING PLATE	2
7	64461	SPRING WASHER	1
8	sold separately 95633	DOWEL PIN 21 X 28 DIN 7346	2
9	sold separately 97038	THREADED PIPE JOINT (UNION)	1
10	sold separately 95639	LOCKING SCREW M16 X 45	4

Threaded Pipe Joint Complete



NOTE: ITEM SHOULD BE REPLACED WITH
NEW PIPE JOINT COMPLETE WHEN
REMOVED FOR SERVICING

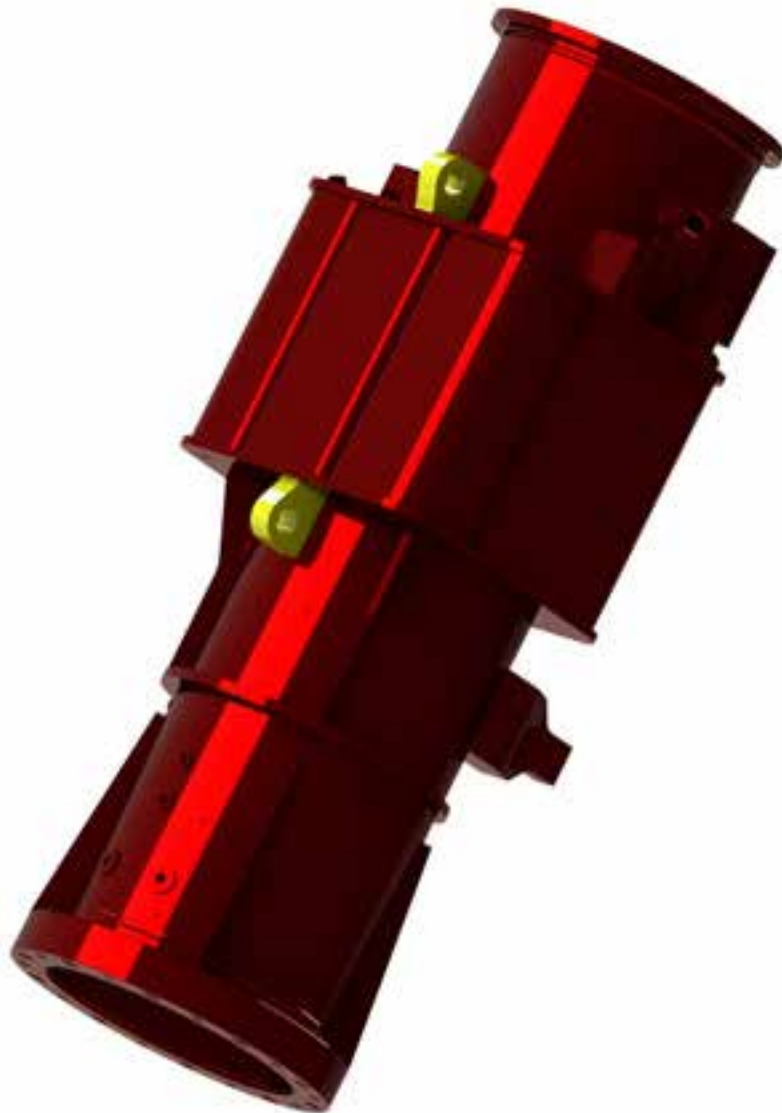
#1 SOLD COMPLETE

**each part number links to web site part*

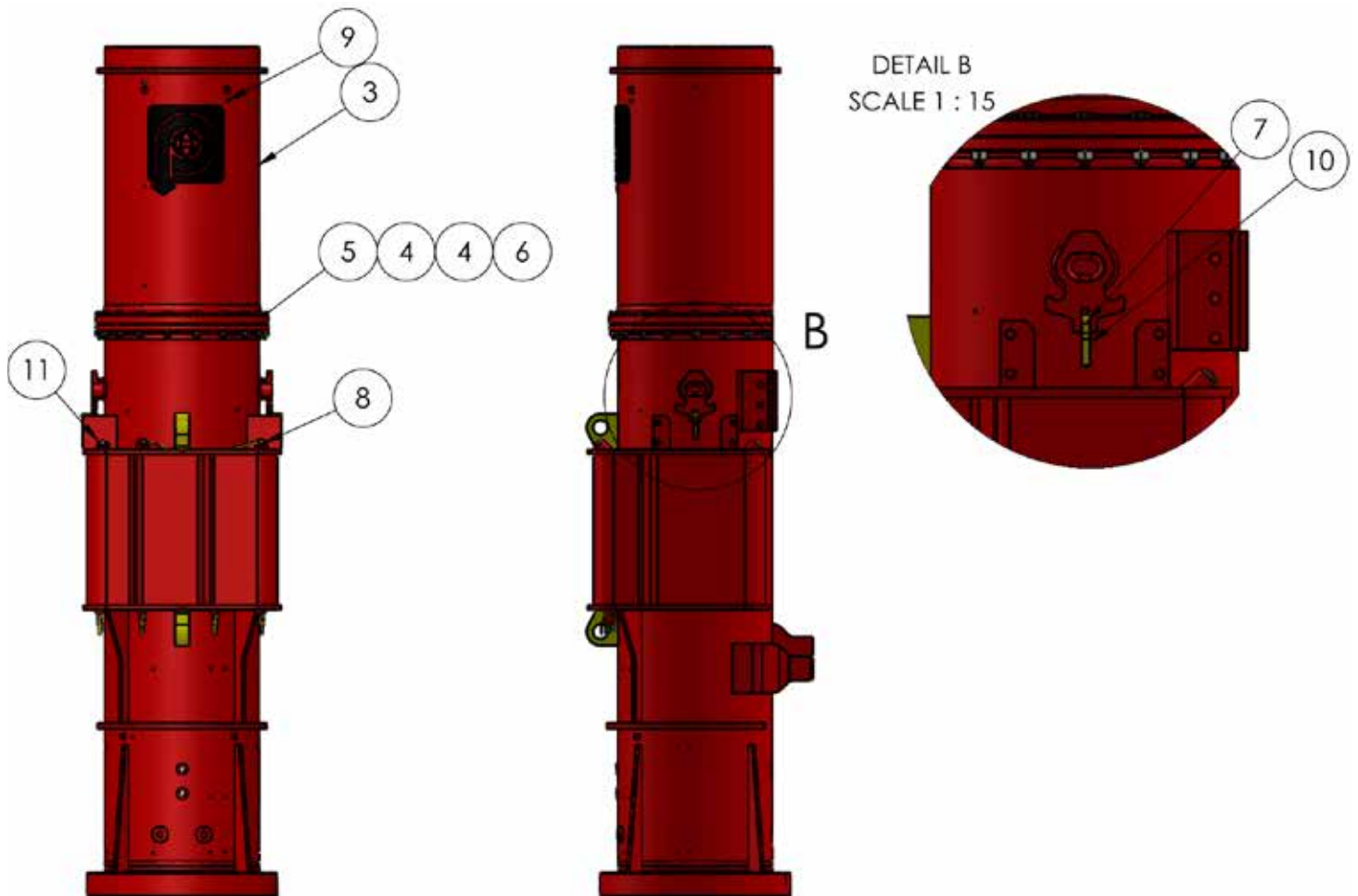
ITEM NO.	PART NUMBER	DESCRIPTION	QTY.
1	97038	THREADED PIPE JOINT	1
2	97258	O RING 17 X 1.5	2
3	210405	HOLLOW SCREW	1
4	90127	OLIVE	1
5	204012	UNION NUT M16X1.5	1

**SOLD
TOGETHER**

Upper Cylinder



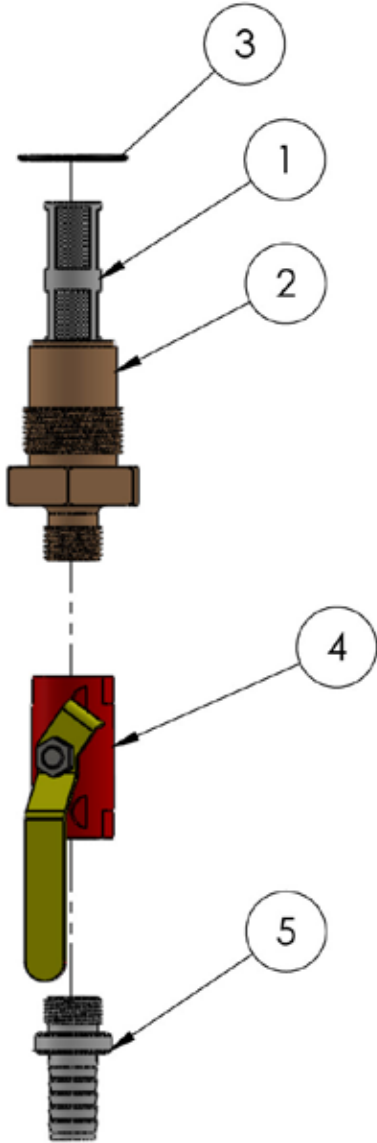
Upper Cylinder Complete



*each part number links to web site part

ITEM NO.	PART NUMBER	DESCRIPTION	QTY.
1	210601	CYLINDER UPPER PART	1
2	210605	FILTER ASSEMBLY	4
3	210610	UPPER END RING L=685MM 27"	1
4	203131	24MM SCHNORR SAFETY WASHER	32
5	91929	M24 X 120 HEX HEAD CAPSCREW	17
6	90091	M24 HEX NUT	16
7	206010	DOWEL PIN 13×60	2
8	17186	PLUG SCREW (DIESEL) COMPLETE	3
9	90791	GREASE NIPPLE M10 X 1	2
10	210604	RACHET	2
11	210608	42M-3 PLUG SCREW	1

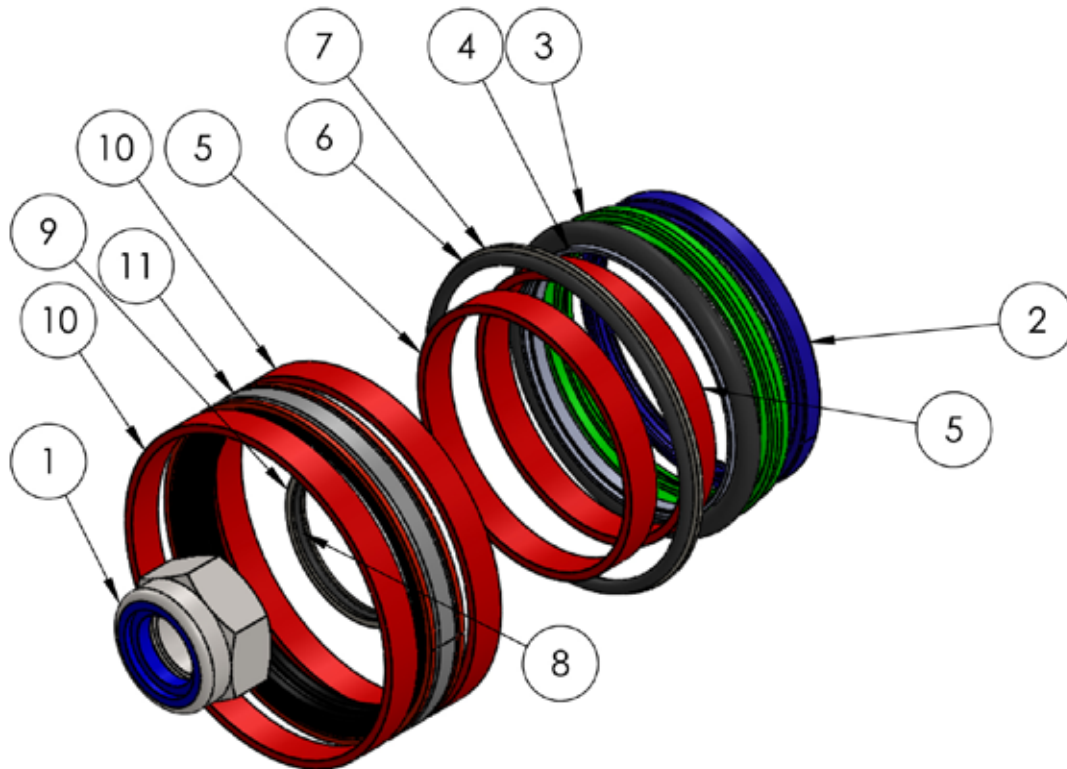
Filter Assembly



*each part number links to web site part

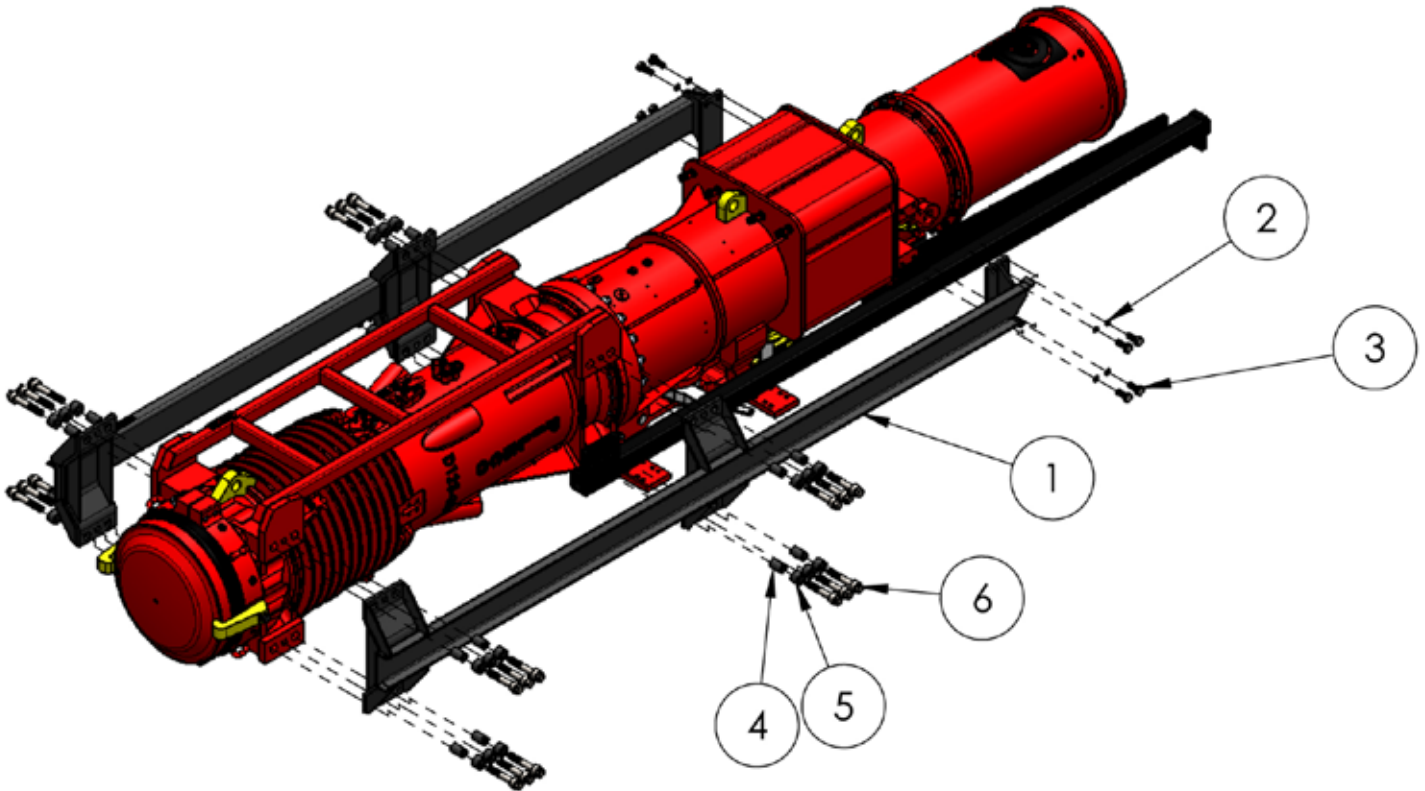
ITEM NO.	PART NUMBER	DESCRIPTION	QTY.
1	99896	SCREW JOINT/FILTER ELEMENT	1
2	207022	FILTER ELBOW	1
3	210607	ROUND SEALING RING 36×1.5	1
4	207023	BALL VALVES 1/2	1
5	210606	SCREW JOINT	1

D138 Hydraulic Start Cylinder Ring Kit



*each part number links to web site part

ITEM NO.	PART NUMBER	DESCRIPTION	QTY.
1	201104	20MM X 2.5 NYLON INSERT LOCK NUT	1
2	211337	WIPER SEAL	1
3	211338	ROD SEAL	1
4	211339	ROD SEAL	1
5	211340	WEAR RING	2
6	211341	165 X 5.7 O-RING	1
7	211342	166 X 156-2 BACKING RING	1
8	211343	2-230 63.09 X 3.53 O-RING	1
9	211344	65 X 70.5-1.5 BACKING RING	2
10	211345	165 X 160-1.5 GUIDING RING	2
11	211346	165 X 142 X 16 DOUBLE ACTING PISTON SEAL	1

**D125/138 U-48 X 8 LEAD GUIDING
Assembly**


ITEM NO.	PART NUMBER	DESCRIPTION	QTY.
1	211205	U-48 X 8 GUIDING FOR D125	1
2	207103	30MM SCHNORR SAFETY WASHER	8
3	207102	M30 X 80 HEX HEAD CAPSCREW	8
4	211308	55MM X 95 DOWEL PIN	16
5	211309	SPACER CUP	24
6	20038	HEX BOLT M36 X 210	24