

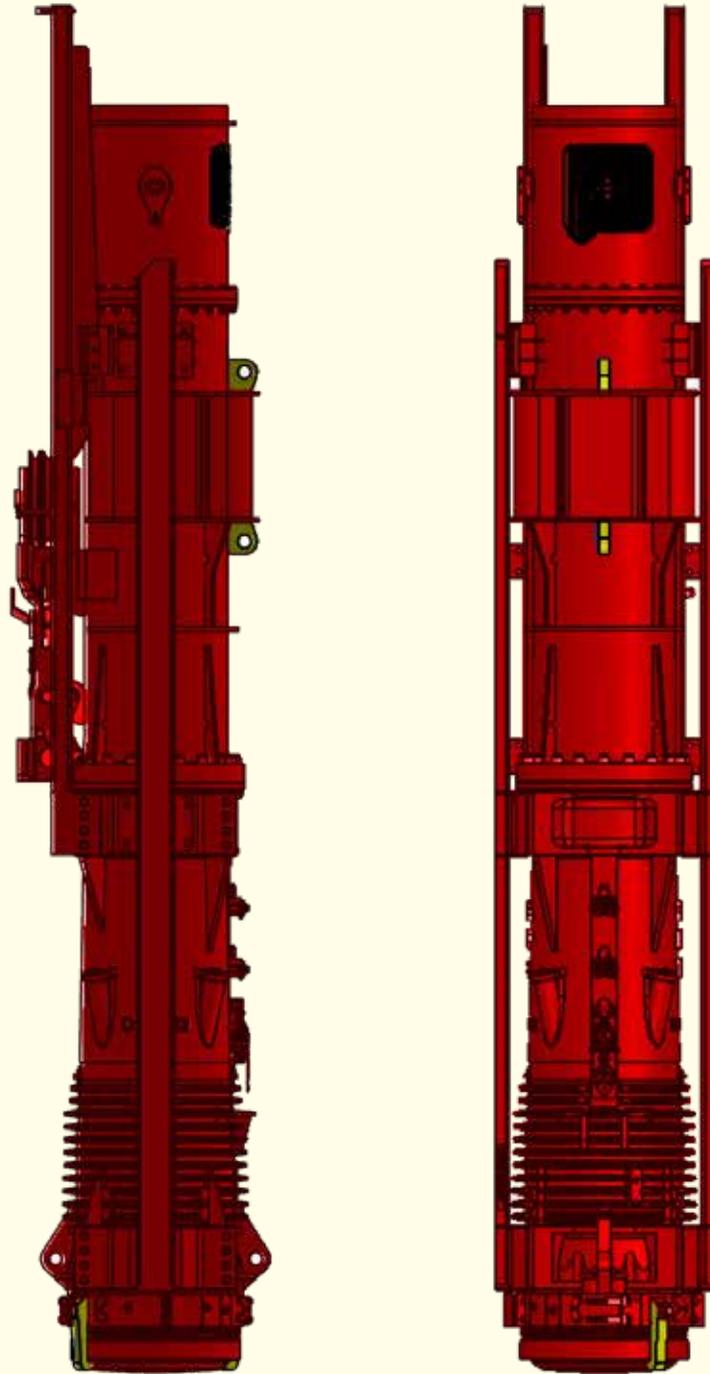


PILECO INC.

Diesel Pile Hammer **D160-32**

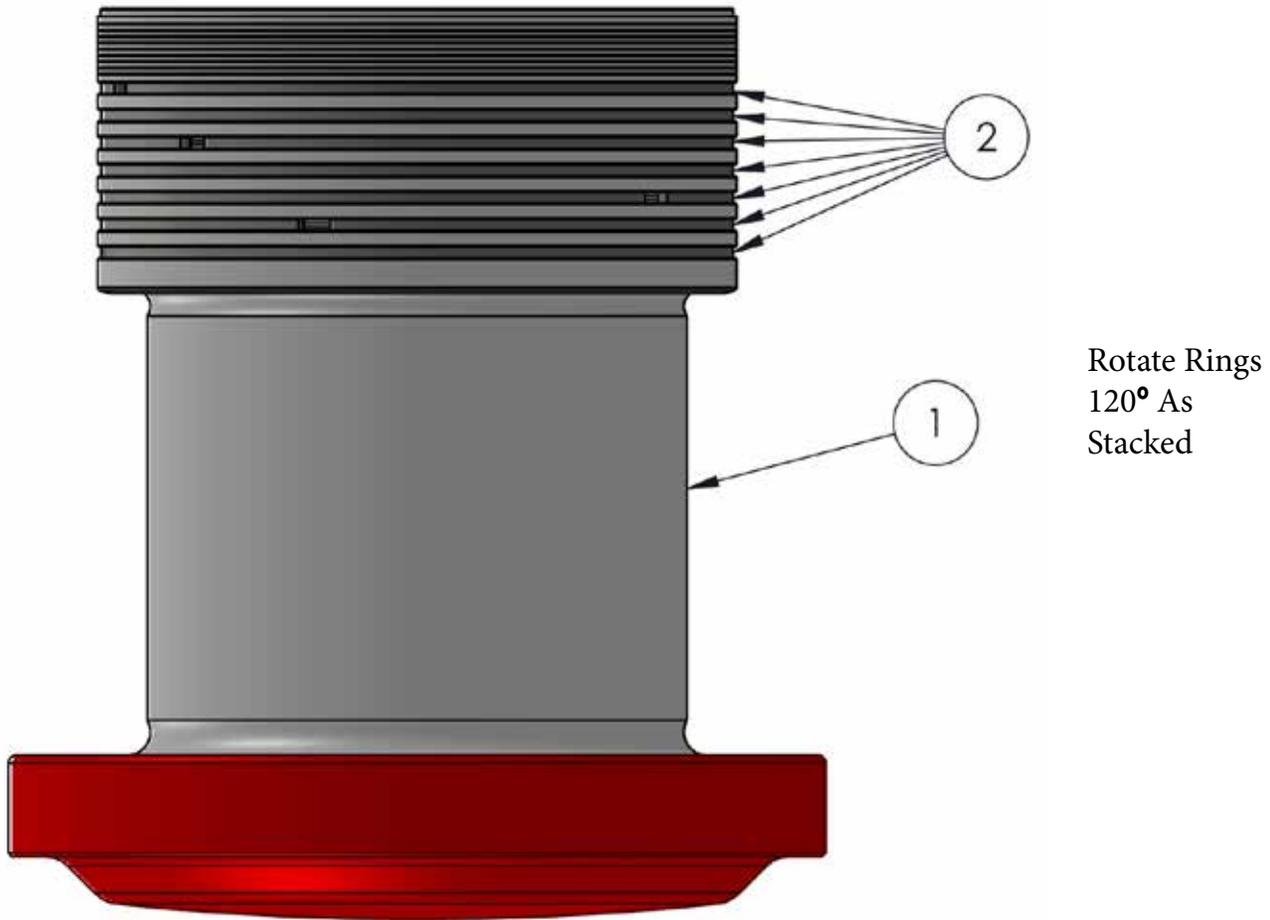
Parts Manual

Parts Manual



Contents Page

Impact Block	page #3
Striking Weight Piston	page #4
Lower Cylinder Complete	page #5
Lube Pump	page #6-8
Cylinder Complete	page #9
Pressure Valve	page #10
Manual Variable Delivery Fuel Pump	page #11-17
Pump Element 45MM	page #18
Stop Valve Complete	page #19
Suction Valve Complete	page #20
Check Non-Return Valve	page #21
Fuel Injection Device	page #22
Threaded Pipe Joint	page #23
Hydraulic Push Start	page #24-26
Hydraulic Starting Device—Trip	page #27-29
Hydraulic Start Cylinder Ring	page #30
Lead Guiding U-48	page #31-32

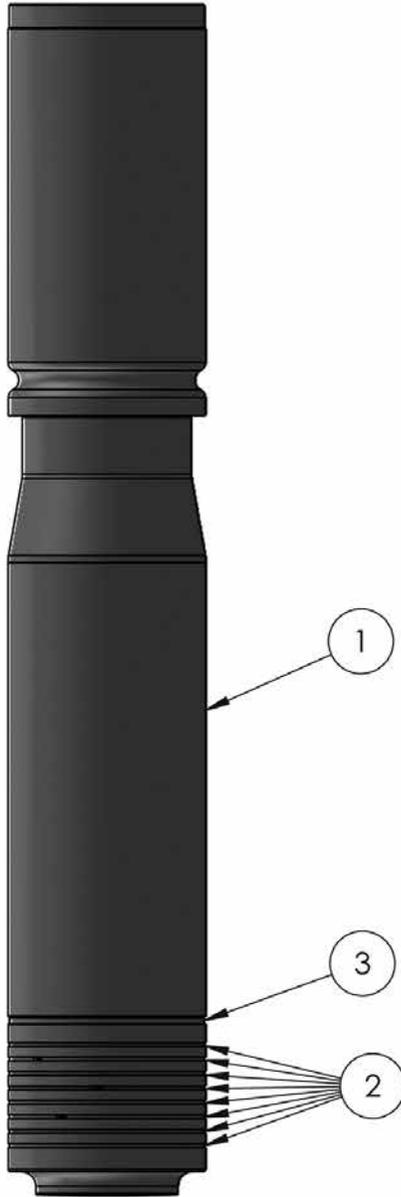
**Impact Block
Complete**


*each part number links to web site part

ITEM NO.	PART NUMBER	DESCRIPTION	QTY.
1	220201	IMPACT BLOCK	1
2	220202	PISTON RING	7

Striking Weight (Piston) Complete

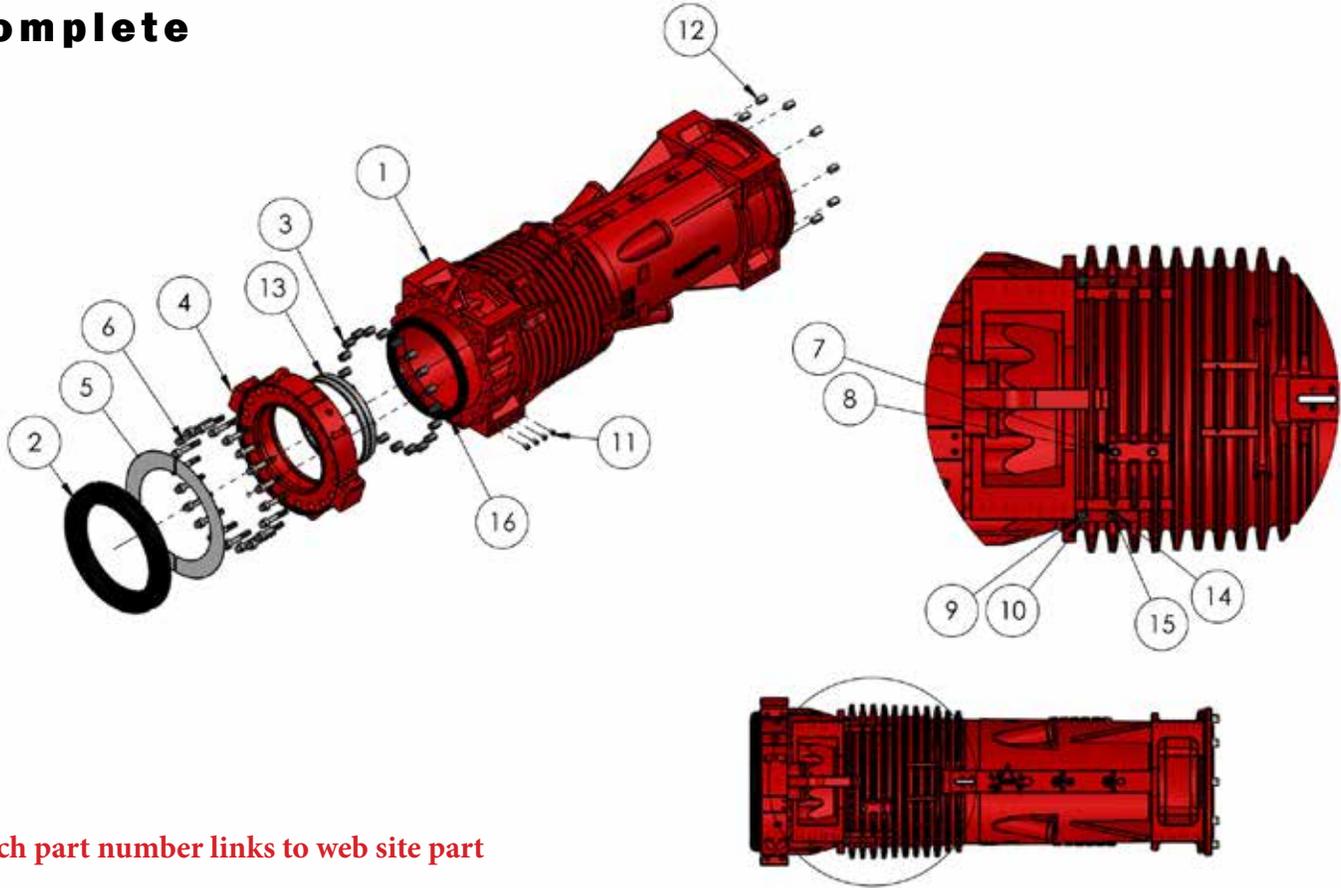
*each part number links to web site part



ITEM NO.	PART NUMBER	DESCRIPTION	QTY.
1	220302	STRIKING WEIGHT(PISTON)	1
2	220202	PISTON RING	8
3	220304	CATCH PISTON RING	1

Rotate Rings
120° As
Stacked

Lower Cylinder Complete



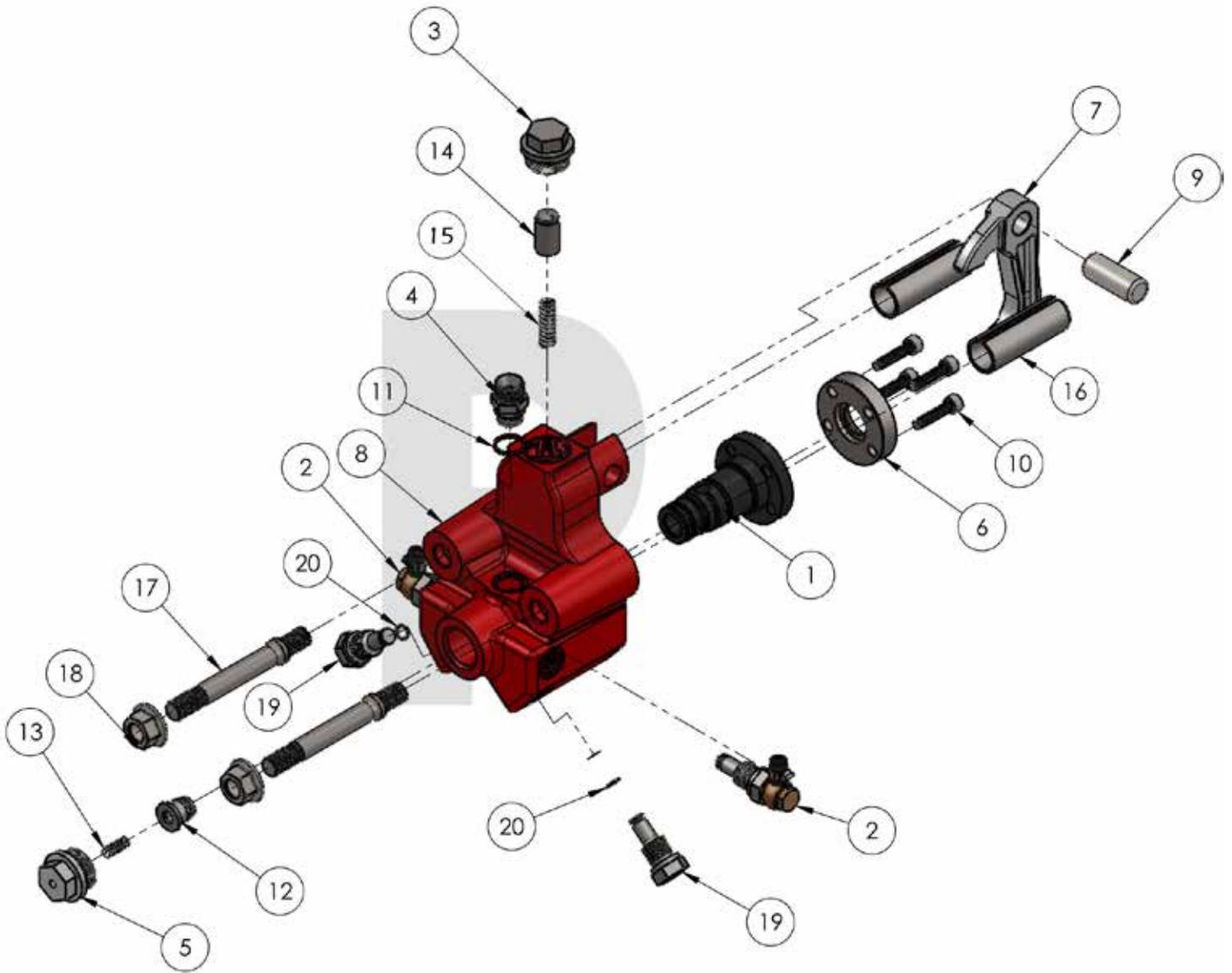
*each part number links to web site part

ITEM NO.	PART NUMBER	DESCRIPTION	QTY.
1	220103-160	LOWER CYLINDER PART D160	1
2	220102	RUBBER RING SET	1
3	98807	DOWEL PIN 55 X 90	20
4	220104	CYLINDER END RING D160/D180	1
5	220108	SPACER PLATE	1
6	20038	HEX BOLT M36 X 210	20
7	90002	SEALING RING 18 X 22	2
8	91460	PLUG SCREW M18 X 1.5	2
9	22592	REDUCER	8
10	90791	GREASE NIPPLE M10 X 1	8
11	93233	36M THREADED INSERT	32
12	94281	DOWEL PIN 50 X 80	10
13	220105	D160/D180 INNER END RING	1
14	92016	20MM X 1.5 PLUG SCREW	5
15	92031	SEALING RING A20 X 24	4
16	220002	INNER DAMPING RING	1

Lube Pump



**Lube Pump
Complete**

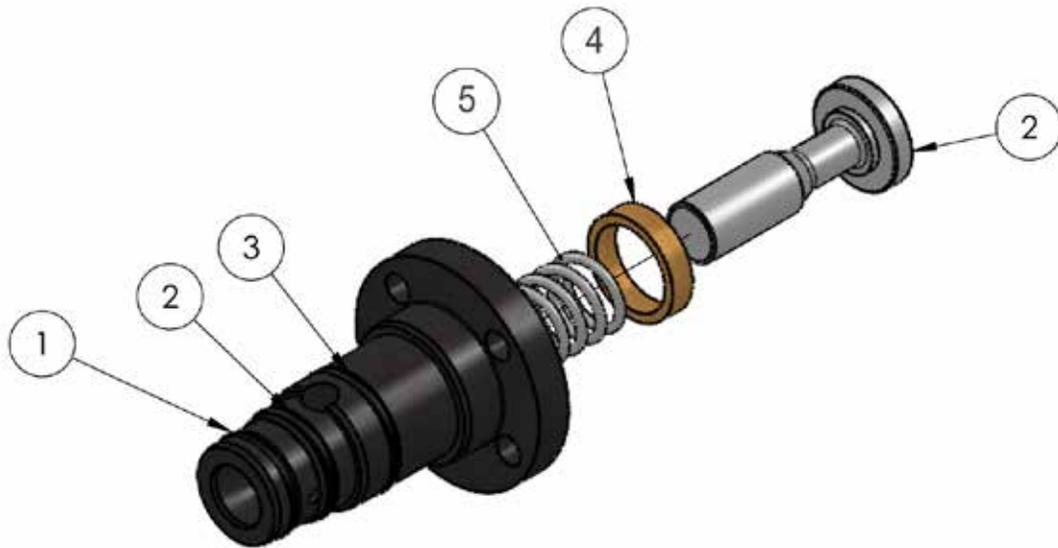


Continued.....

**Lube Pump
Complete**

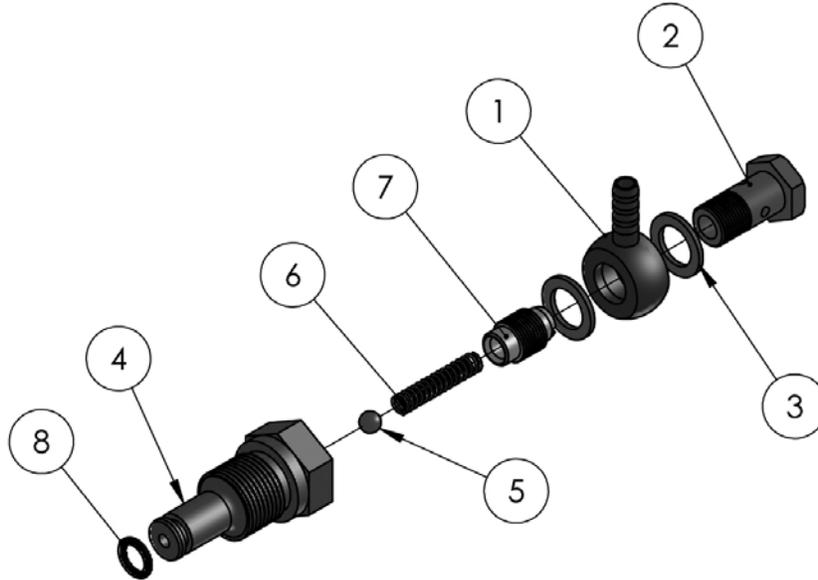
*each part number links to web site part

ITEM NO.	PART NUMBER	DESCRIPTION	QTY.
1	67279	CYLINDER COMPLETE	1
2	108317	PRESSURE VALVE COMPLETE	3
3	91976	PLUG SCREW	1
4	67290	ADAPTER	1
5	108328	PLUG SCREW	1
6	67282	WASHER	1
7	22081	LUBE PUMP LEVER	1
8	108315	LUBE PUMP BODY	1
9	22082	PUMP LEVER PIN	1
10	90937	M8 x 35 DIN 912 8.8	4
11	92031	SEALING RING A20 X 24	1
12	67284	PISTON COMPLETE	1
13	190479	PRESSURE SPRING 7.3 X 29.4 X 1.2	1
14	22090	SLEEVE	1
15	22089	PRESSURE SPRING 10 X 43 X 2	1
16	94315	DOWEL PIN 28 X 80 DIN 7346	2
17	20189	PUMP STUD M16	2
18	94722	M16 WASHER NUT	2
19	108316	PLUG SCREW	1
20	97855	O RING 8 X 2	1

**Cylinder
Complete**


*each part number links to web site part

ITEM NO.	PART NUMBER	DESCRIPTION	QTY.
1	205020	O RING 24 X 3	1
2	91357	O RING 26 X 3	1
3	92952	O RING 30 X 3	1
4	67283	RING	1
5	97325	PRESSURE SPRING 22 X 52 X 2, 8	1

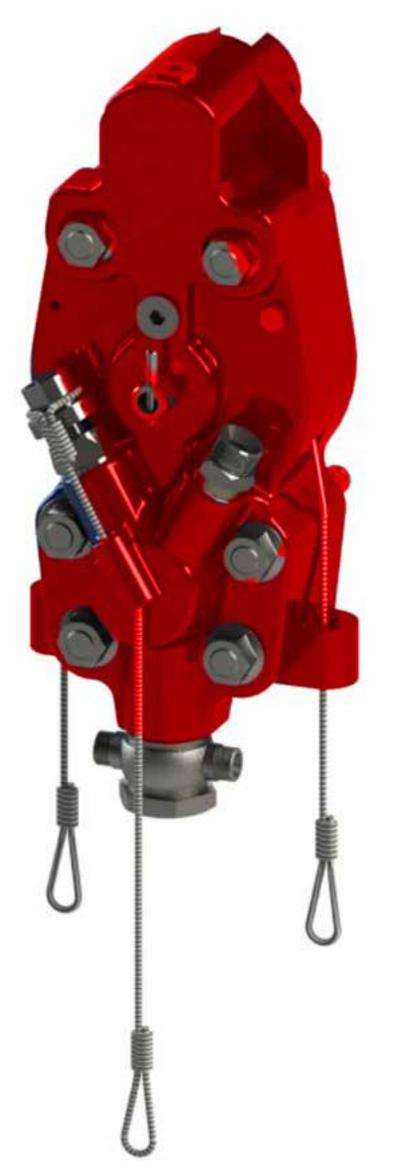
**Pressure Valve
Complete**


*each part number links to web site part

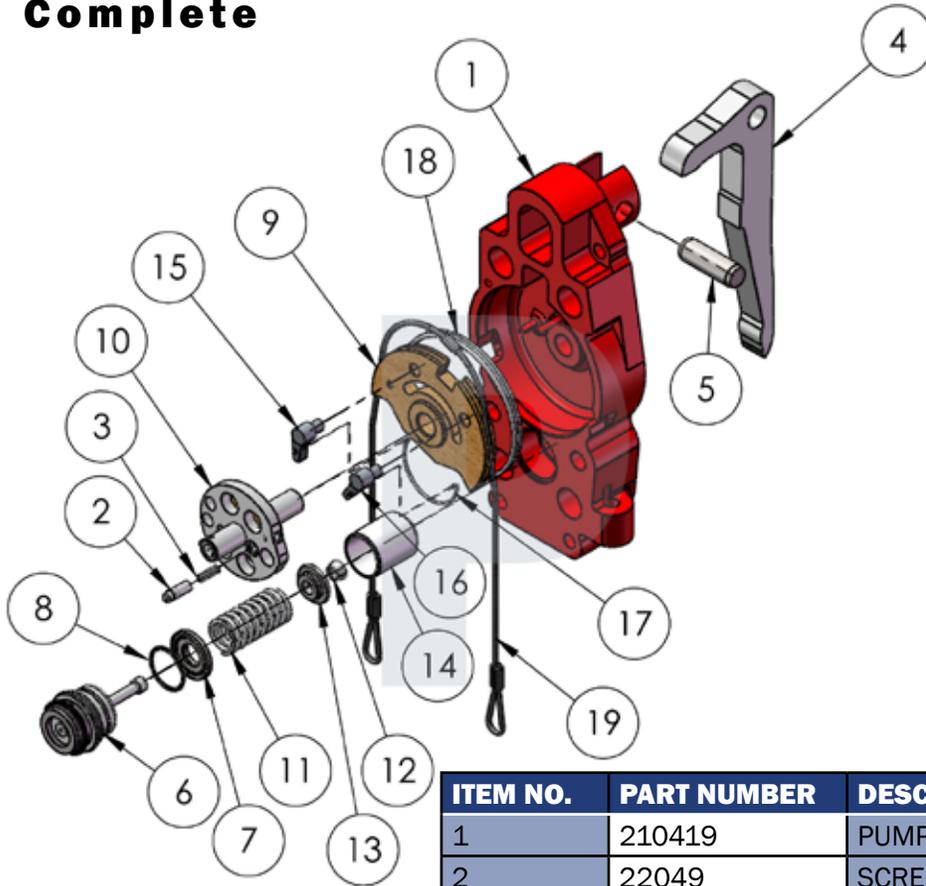
ITEM NO.	PART NUMBER	DESCRIPTION	QTY.
1	97949	RING NIPPLE	1
2	97948	HOLLOW SCREW A6 DIN 7623-6.8	1
3	91417	SEALING RING A12 X 15.5 DIN 7603-CU	2
4	108319	ADAPTER	1
5	90307	BALL 6MM DIN 5401	1
6	190005	PRESSURE SPRING 5 X 36 X 0.8	1
7	104679	PLUG SCREW	1
8	97855	8 X 2 O-RING	1

**SOLD
TOGETHER**

Manual Delivery Fuel Pump

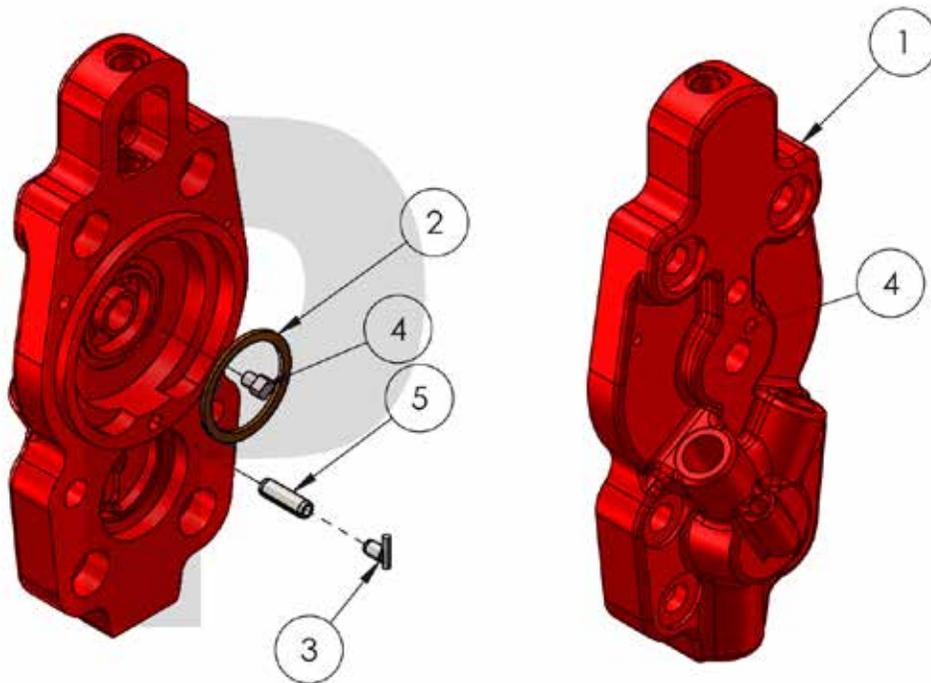


Manual Variable Delivery Fuel Pump Complete



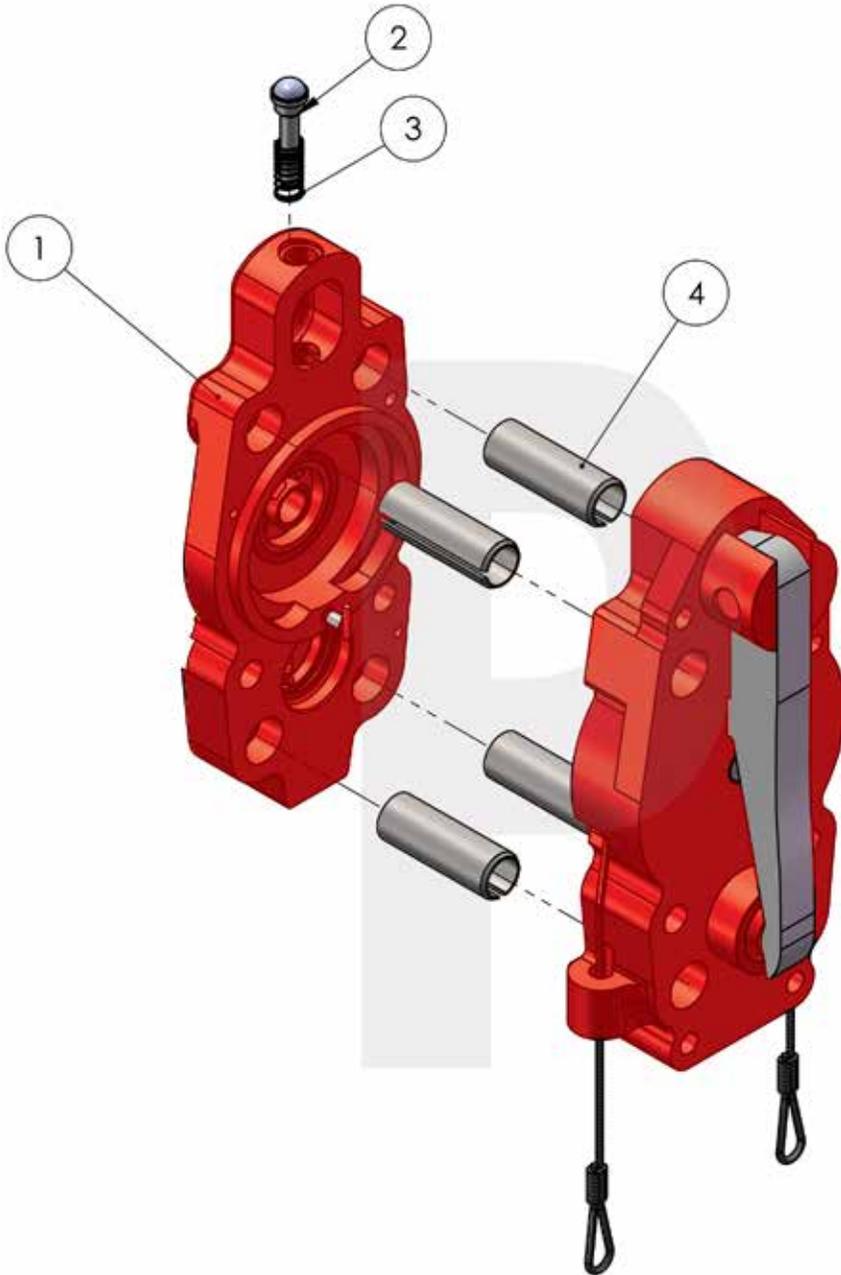
*each part number links to web site part

ITEM NO.	PART NUMBER	DESCRIPTION	QTY.
1	210419	PUMP BODY	1
2	22049	SCREEN PIN	1
3	22044	PRESSURE SPRING 5.5 X 20 X 1.2	1
4	210409	PUMP LEVER	1
5	22043	PUMP LEVER PIN	1
6	220409	D160 PUMP ELEMENT COMPLETE 45MM	1
7	210411	HOLDER RING	1
8	210410	ROUND SEALING RING 48.7 X 2.65	1
9	22040	ROPE DISC	1
10	43308	SWITCH SHAFT	1
11	22060	PRESSURE SPRING 28 X 67.2 X 3.5	1
12	22059	CONICAL RING 2 PCS	1
13	22058	SPRING RETAINING COLLAR	1
14	43287	GUIDE SLEEVE	1
15	22051	CAM	1
16	22052	CAM	1
17	22245	SPRING	1
18	22062	SWIVEL SPRING	1
19	17546	REGULATION ROPE	1

**Manual Variable Delivery Fuel
Pump Cover Complete**


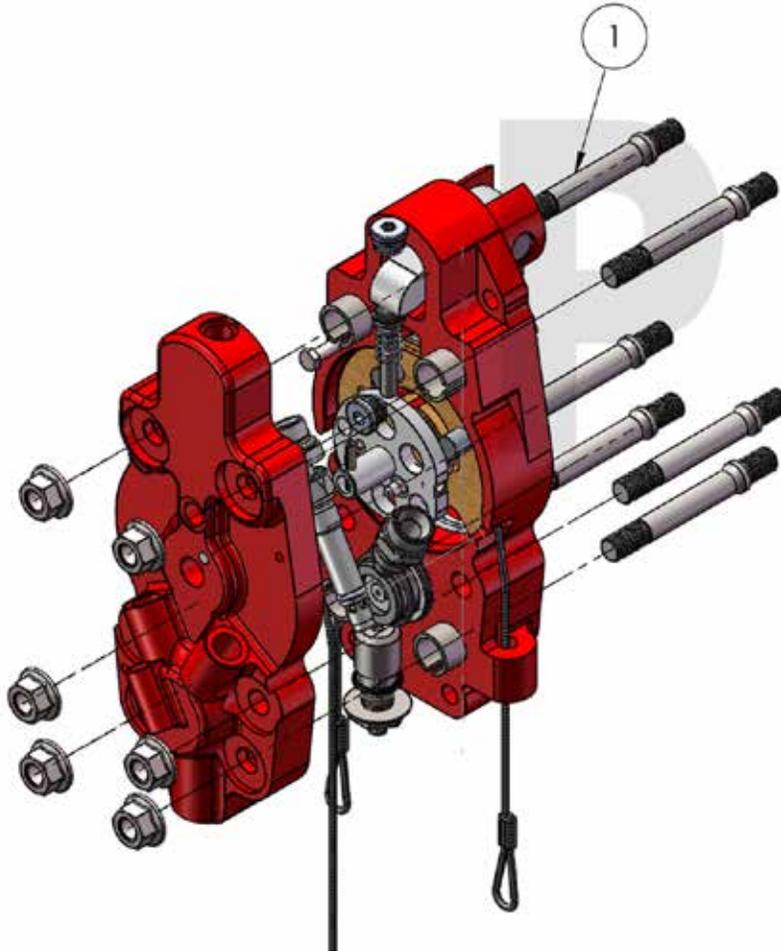
*each part number links to web site part

ITEM NO.	PART NUMBER	DESCRIPTION	QTY.
1	210420	PUMP COVER	1
2	22050	RING	1
3	22796	STOP	1
4	43307	STOP PIN	1
5	90231	10MM X 32 ROLL PIN	1

**Manual Variable Delivery Fuel Pump
Complete**


*each part number links to web site part

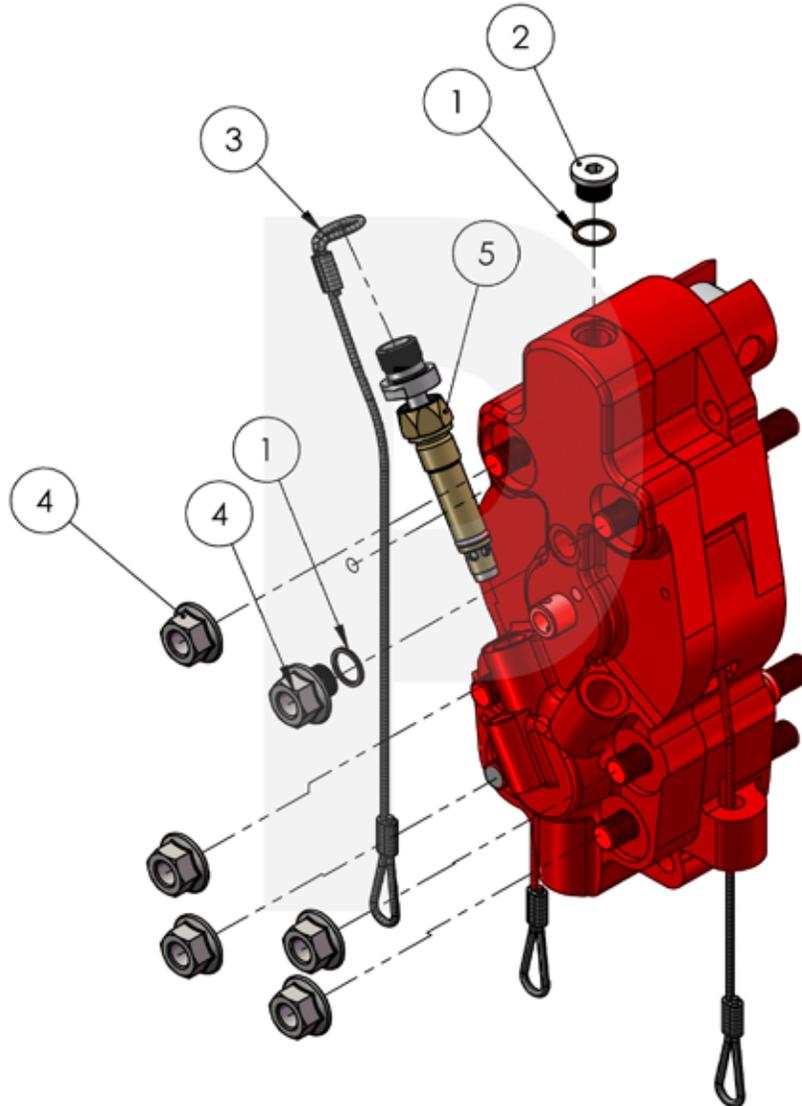
ITEM NO.	PART NUMBER	DESCRIPTION	QTY.
1	210420	PUMP COVER complete	1
2	62125	PRESSURE PIECE	1
3	22046	PRESSURE SPRING	1
4	94315	DOWEL PIN 28 X 80	4

**Manual Variable Delivery Fuel Pump
Complete**


*each part number links to web site part

ITEM NO.	PART NUMBER	DESCRIPTION	QTY.
1	20189	PUMP STUD M16	6

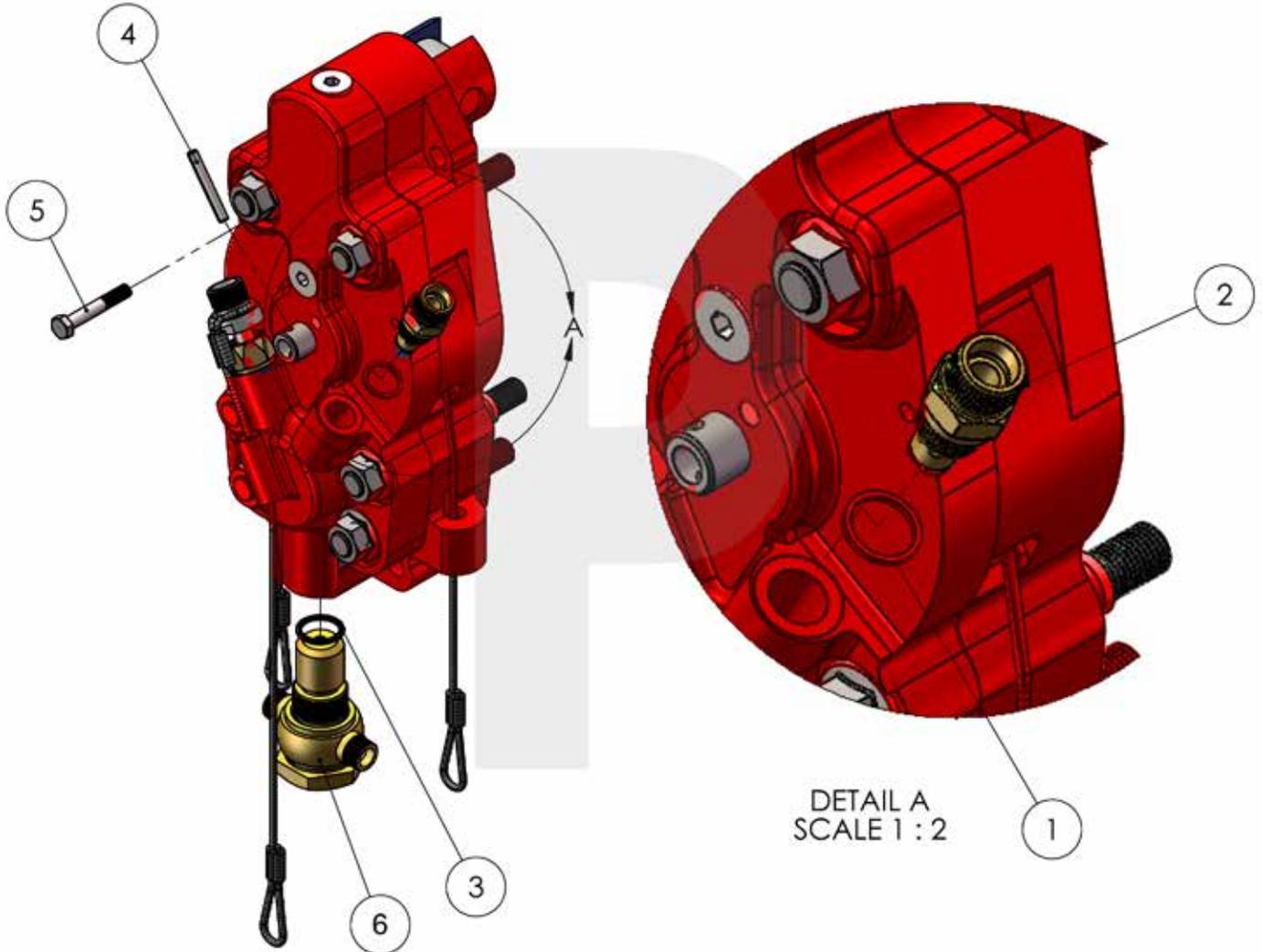
Manual Variable Delivery Fuel Pump Complete



*each part number links to web site part

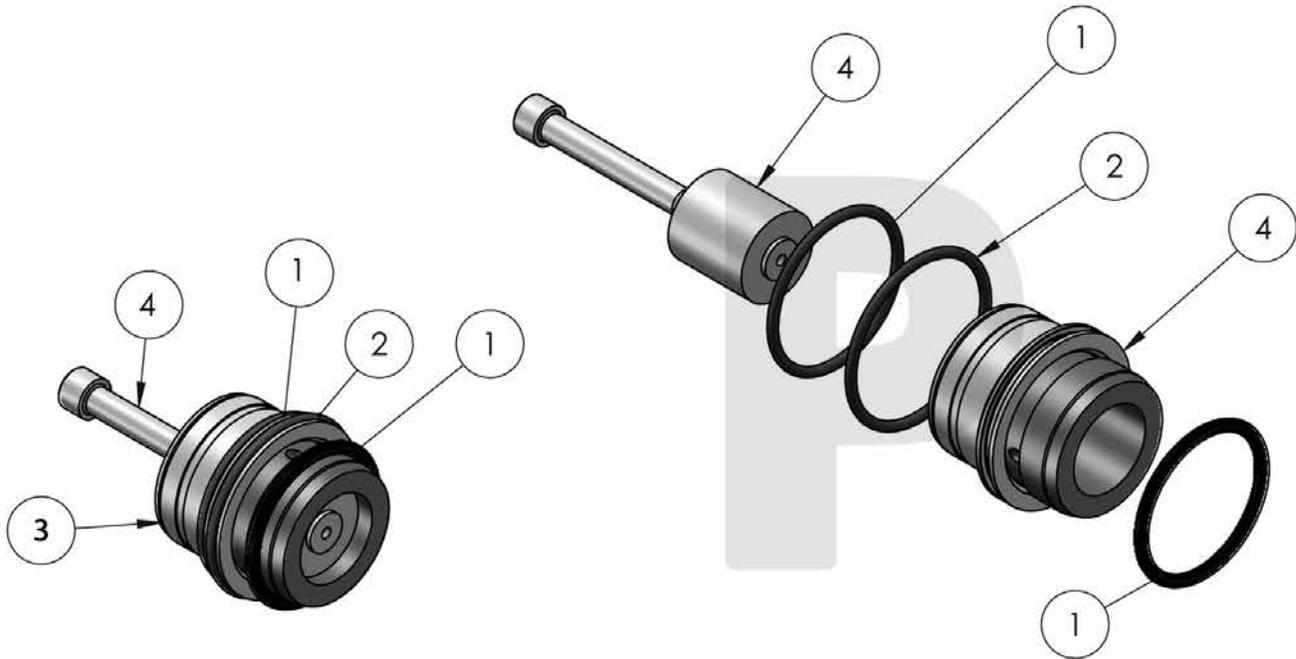
ITEM NO.	PART NUMBER	DESCRIPTION	QTY.
1	90002	SEALING RING A18 X 22	2
2	93055	PLUG SCREW M18 X 1.5	2
3	17546	REGULATING ROPE	1
4	94722	M16 WASHER NUT	6
5	210422	STOP VALVE COMPLETE	1

Manual Variable Delivery Fuel Pump Complete



*each part number links to web site part

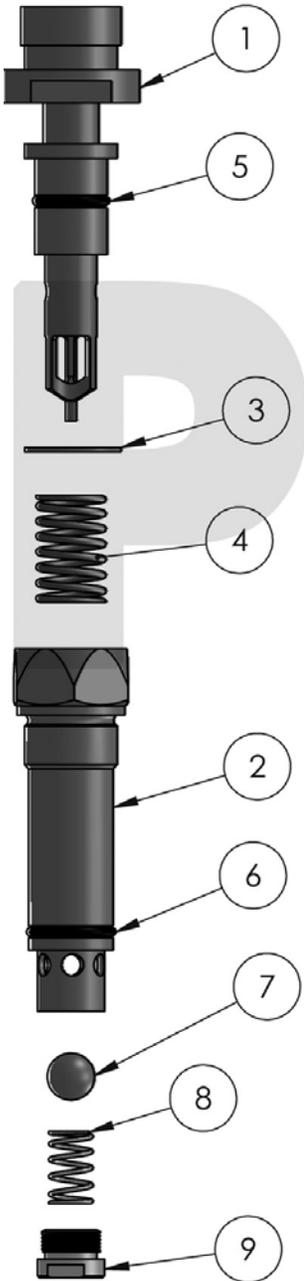
ITEM NO.	PART NUMBER	DESCRIPTION	QTY.
1	210412	SEALING RING A25 X 30	1
2	210421	SUCTION VALVE complete	1
3	91296	O-RING 22 X 3	1
4	90150	DOWEL PIN 6 X 40	1
5	93456	LOCKING SCREW M8 X 50	1
6	60827	CHECK NON-RETURN VAVLE COMPLETE	1

**45MM Pump Element
Complete**


**each part number links to web site part*

ITEM NO.	PART NUMBER	DESCRIPTION	QTY.
1	210416	ROUND SEALING RING 56 X 2.65	2
2	210417	ROUND SEALING RING 60 X 2.65	1
3 not sold seperately	220409	45MM ELEMENT BODY	1
4 not sold seperately	220409	45MM ELEMENT PLUNGER	1

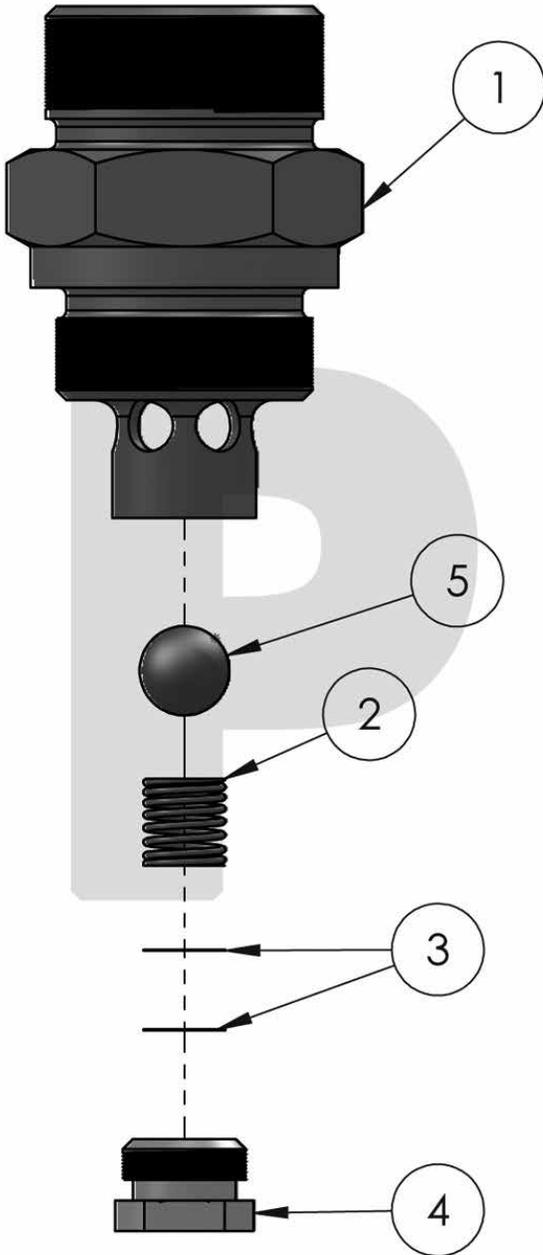
Stop Valve Complete



*each part number links to web site part

ITEM NO.	PART NUMBER	DESCRIPTION	QTY.
1	210423	VALVE PISTON	1
2	210429	VALVE SCREW	1
3	210430	25 X 1.2 CIRCLIP	1
4	210424	PRESSURE SPRING 18.8 X 2 X 30	1
5	210428	O RING 15 X 2.65	1
6	210425	O RING 18 X 2.65	1
7	210431	12.7MM BALL BEARING	1
8	210427	PRESSURE SPRING 12 X 1.2 X19.5	1
9	210426	THREADED PLUG	1

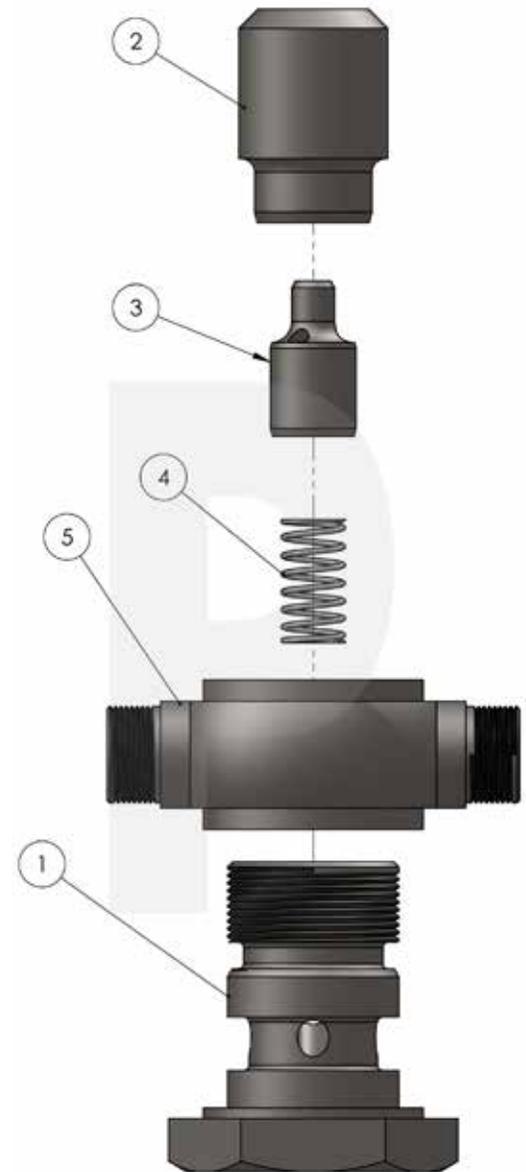
Suction Valve Complete



**each part number links to web site part*

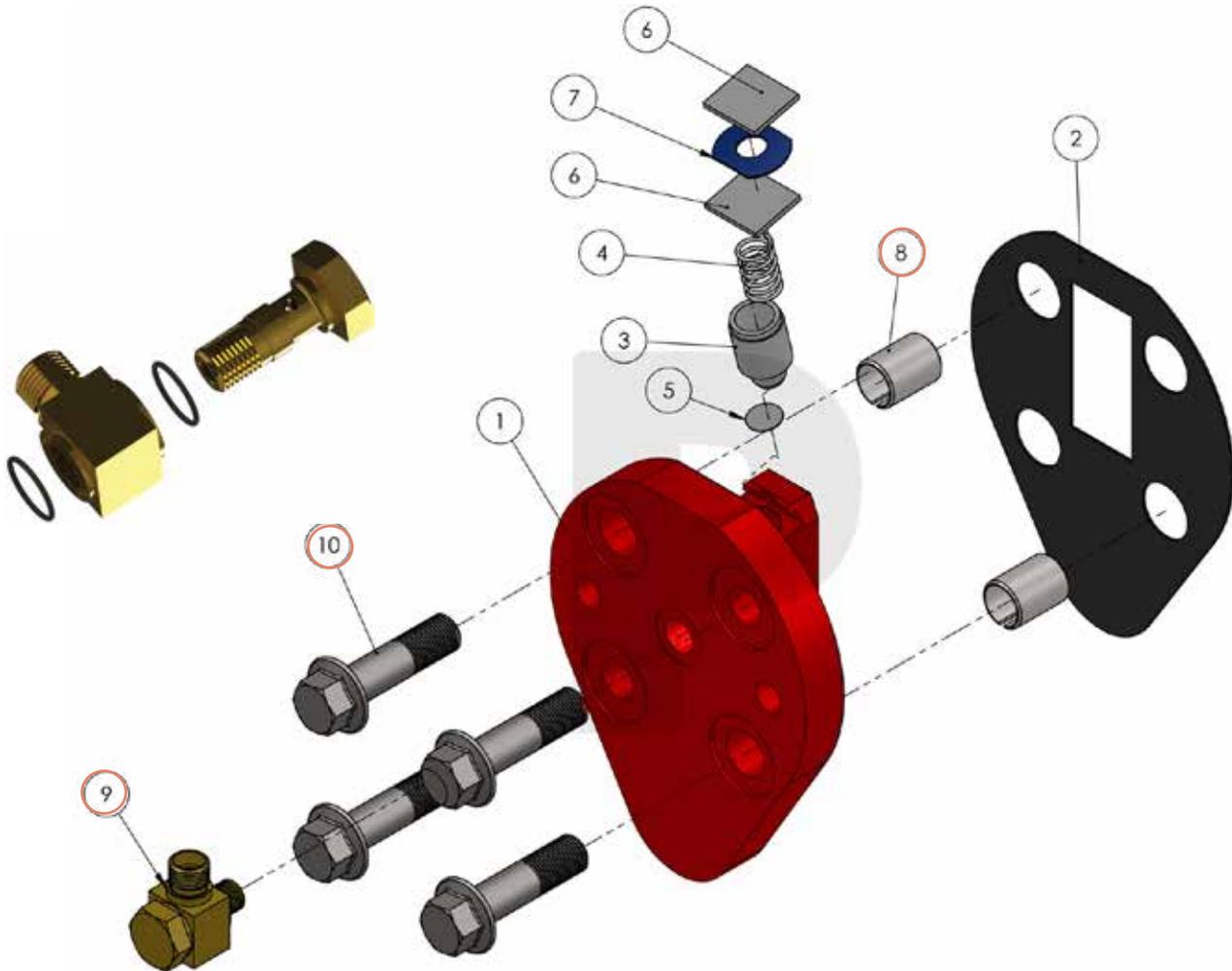
ITEM NO.	PART NUMBER	DESCRIPTION	QTY.
1	210432	SLEEVE	1
2	22022	PRESSURE SPRING 7.3 X 8 X 0.7	1
3	22023	WASHER	2
4	41862	THREADED PLUG	1
5	98511	BALL 8.731MM	1

Check Non-Return Valve Complete



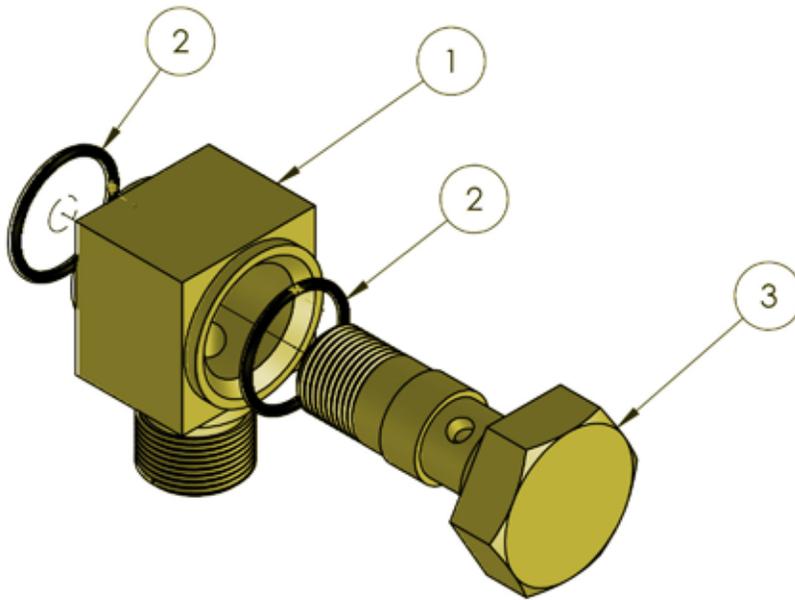
*each part number links to web site part

ITEM NO.	PART NUMBER	DESCRIPTION	QTY.
1	60194	HOLLOW SCREW	1
2	43297	HOUSING	1
3	43299	VALVE PISTION	1
4	22034	PRESSURE SPRING	1
5	60195	RING NIPPLE	1

**Fuel Injection Device
Complete**


TEM NO.	PART NUMBER	DESCRIPTION	QTY.
1	102133	INJECTION PLATE 20°	1
2	45647	GASKET	1
3	63843	VALVE PISTION	1
4	97569	PRESSURE SPRING	1
5	97573	ADJUSTING WASHER	1
6	64460	LOCKING PLATE	2
7	64461	SPRING WASHER	1
8 sold separately	95633	DOWEL PIN 21 X 28 DIN 7346	2
9 sold separately	97038	THREADED PIPE JOINT (UNION)	1
10 sold separately	95639	LOCKING SCREW M16 X 45	4

Threaded Pipe Joint Complete



NOTE: ITEM SHOULD BE REPLACED WITH NEW PIPE JOINT COMPLETE WHEN REMOVED FOR SERVICING

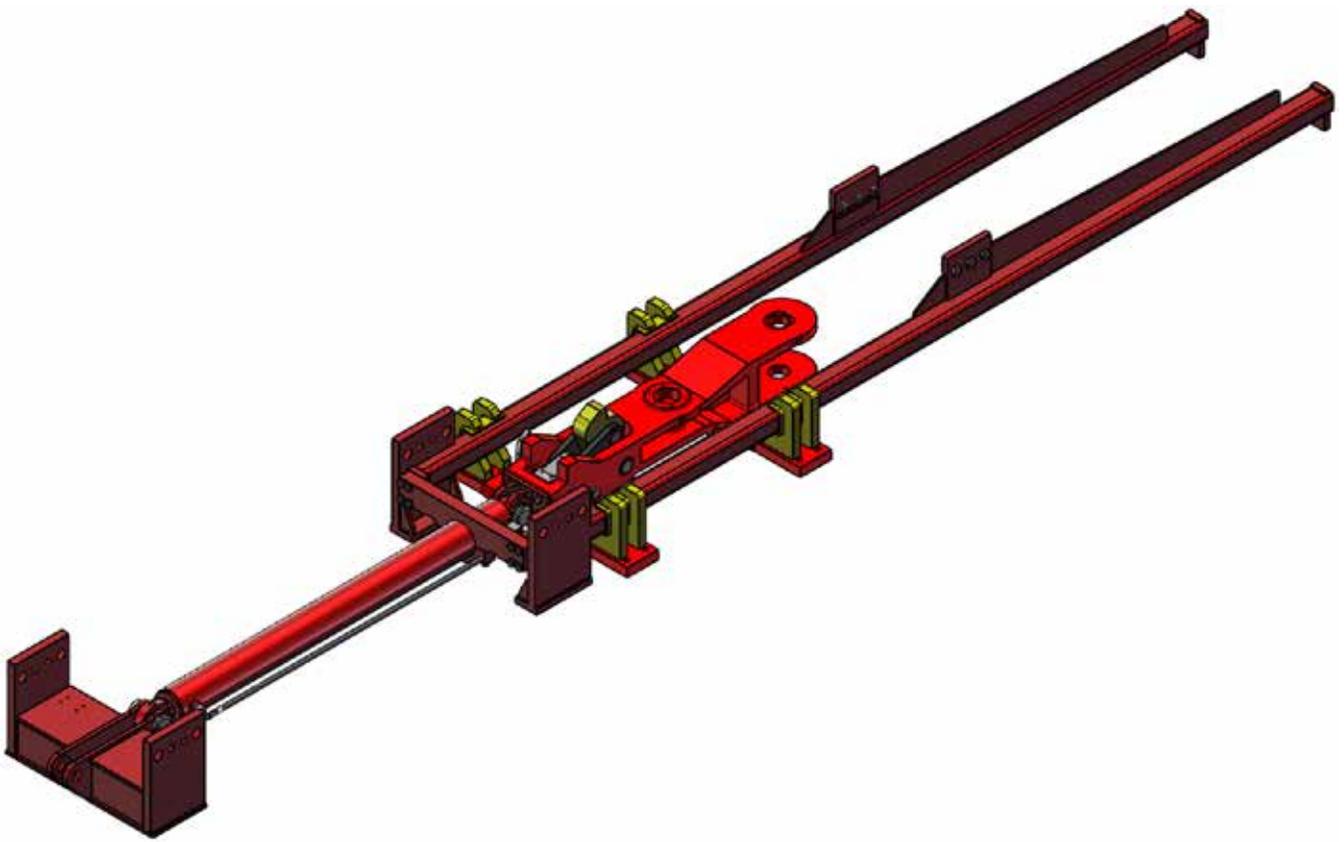
#1 SOLD COMPLETE

**each part number links to web site part*

ITEM NO.	PART NUMBER	DESCRIPTION	QTY.
1	97038	THREADED PIPE JOINT	1
2	97258	O RING 17 X 1.5	2
3	210405	HOLLOW SCREW	1
4	90127	OLIVE	1
5	204012	UNION NUT M16X1.5	1

**Sold with
but not
needed in
this model.**

Hydraulic Push Start



Hydraulic Push Start Complete

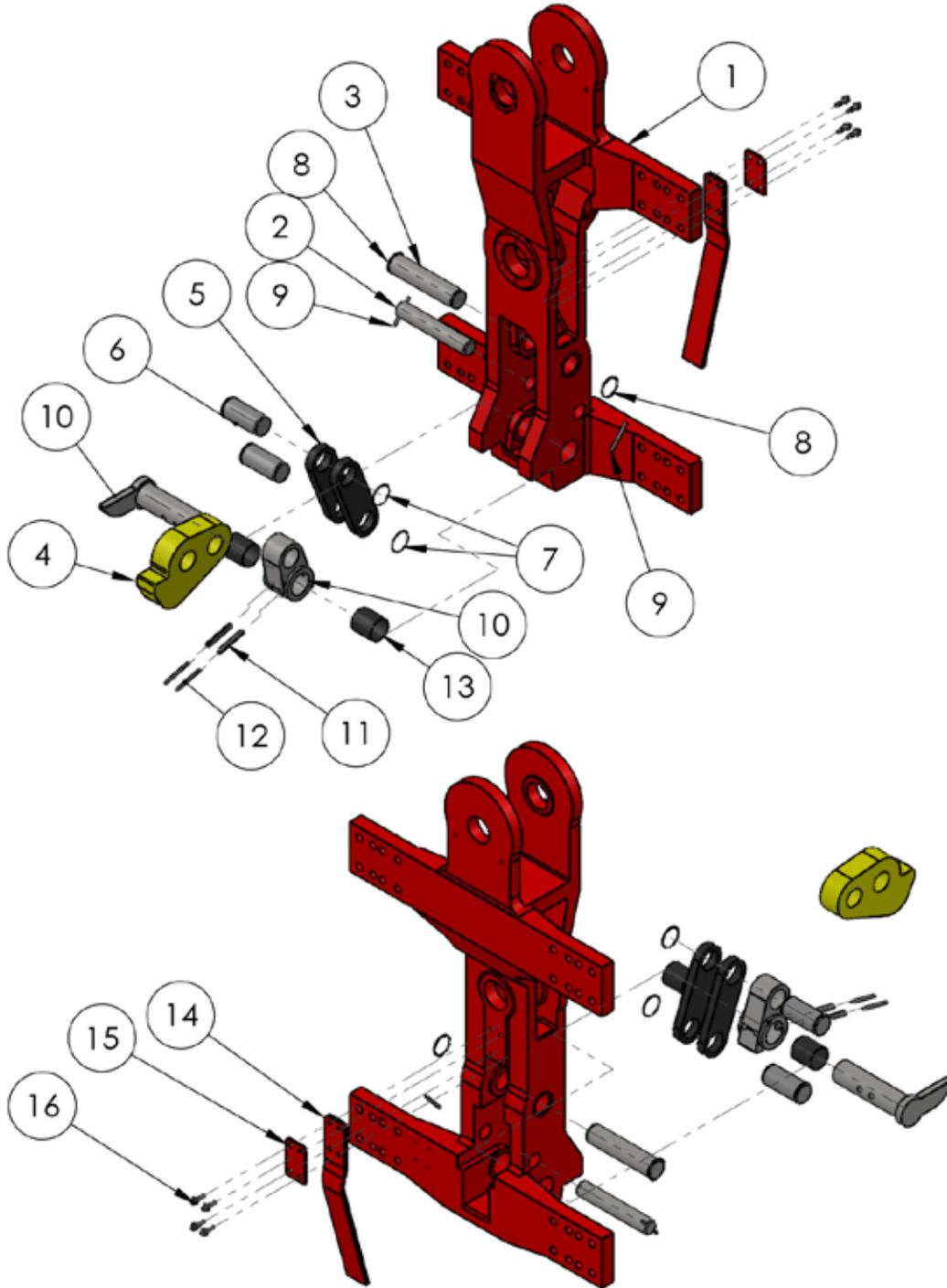
...continued from above

ITEM NO.	PART NUMBER	DESCRIPTION	QTY.
1	221309	D160/180 HYDRAULIC START LOWER BRACKET	1
2	221305	BRACKET, MIDDLE FOR D160/D180 HYD. CYLINDER	1
3	221301	D160/180 START GUIDES FOR HYDRAULIC START	1
4	211330	HYDRAULIC PUSH START CYLINDER COMPLETE	1
5	207103	30MM SCHNORR SAFETY WASHER	22
6	207102	30MM-3.5 X 80MM HEX HEAD CAPSCREW	6
7	221302	GUIDE GIB D160/D180	4
8	221303	30MM X 120 SOCKET HEAD CAP SCREW 12.9	16
9	220900	D160/180 TRIP GEAR COMPLETE	1
10	221304	BRACKET, UPPER FOR D160/D180 HYD. CYLINDER	1
11	203131	24MM SCHNORR SAFETY WASHER	12
12	261417	24MM-3.0 X 70 HEX HEAD CAPSCREW	4
13	91929	M24 X 120 HEX HEAD CAPSCREW	8
14	20174	24MM X 165 REDUCER SCREW 12.9	2
15	220900-H	D160/180 HYDRAULIC TRIP ASSEMBLY	1
16	8001461	HYDRAULIC START PIN D125-180	2
17	8001414	HYDRAULIC START LOCKING RING D125-D280	2
18	211350	13MM X 100 DOWEL PIN (SPLIT)	2
19	211351	8MM X 100 DOWEL PIN (SPLIT)	2

Hydraulic Starting Device (Trip)



**Hydraulic Starting Device (Trip)
Assembly**

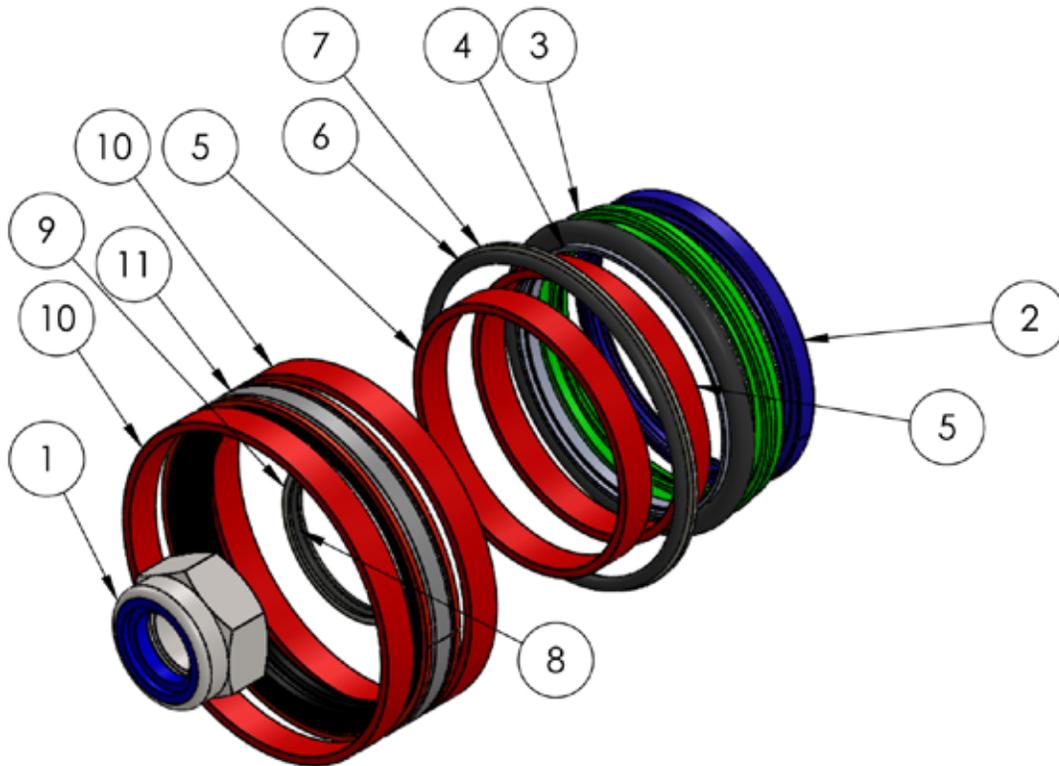


Continued.....

Hydraulic Starting Device (Trip) Assembly

ITEM NO.	PART NUMBER	DESCRIPTION	QTY.
1	220912	GUIDE BODY	1
2	220909	JOINT BOLT	1
3	220908	SHAFT	1
4	220905	PAWL	1
5	220906	SHACKLE	2
6	220911	SHAFT	2
7	220915	CIRCLIP 80 X 2.5	4
8	220922	CIRCLIP 75×2.5	2
9	220910	10MM X 120 ROLL PIN	2
10	220918	D160/D180 HYDRAULIC TRIP ASSEMBLY	1
11	220920	20MM X 130 ROLL(DOWEL) PIN	2
12	220921	12MM X 130 ROLL(DOWEL) PIN	2
13	220913	SLEEVE	2
14	220903	LEAF SPRING	2
15	220904	PLATE	1
16	220930	SERRATED HEX FLANGE LOCKING SCREW 16-2.0MM X 45	4

D160 Hydraulic Start Cylinder Ring Kit

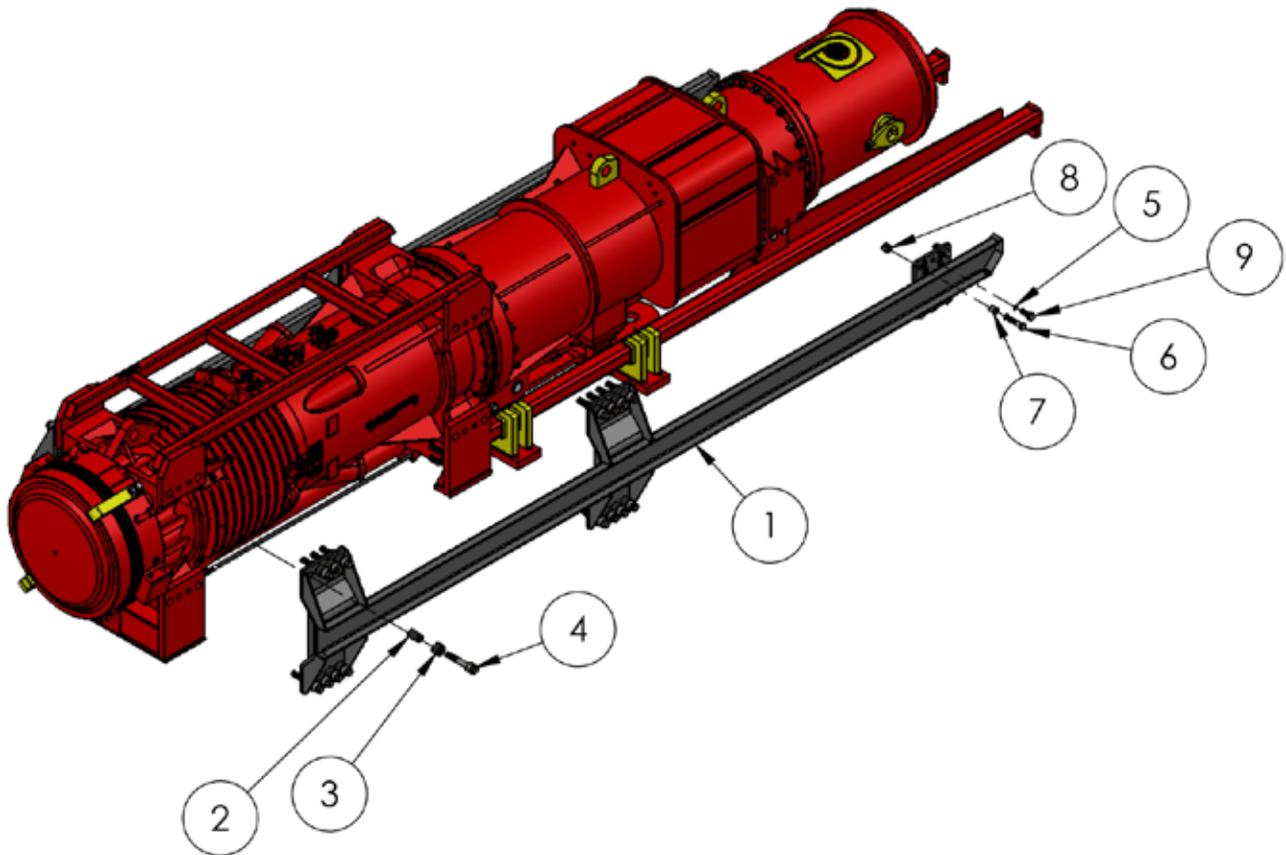


*each part number links to web site part

ITEM NO.	PART NUMBER	DESCRIPTION	QTY.
1	201104	20MM X 2.5 NYLON INSERT LOCK NUT	1
2	211337	WIPER SEAL	1
3	211338	ROD SEAL	1
4	211339	ROD SEAL	1
5	211340	WEAR RING	2
6	211341	165 X 5.7 O-RING	1
7	211342	166 X 156-2 BACKING RING	1
8	211343	2-230 63.09 X 3.53 O-RING	1
9	211344	65 X 70.5-1.5 BACKING RING	2
10	211345	165 X 160-1.5 GUIDING RING	2
11	211346	165 X 142 X 16 DOUBLE ACTING PISTON SEAL	1

Guides



**D160 U-48 X 8 LEAD GUIDING
Assembly**


ITEM NO.	PART NUMBER	DESCRIPTION	QTY.
1	221207	U-48 GUIDING SET	1
2	211308	55MM X 95 DOWEL PIN	32
3	211309	SPACER CUP	32
4	20038	HEX BOLT M36 X 210	32
5	207103	30MM SCHNORR SAFETY WASHER	12
6	221201	30MM-3.5 X 110 HEX HEAD CAP SCREW 10.9	8
7	221203	DOWEL SLEEVE	8
8	221204	30-3.5 NYLON INSERT LOCKNUT	8
9	211201	M30 X 80 HEX HEAD CAPSCREW	4