

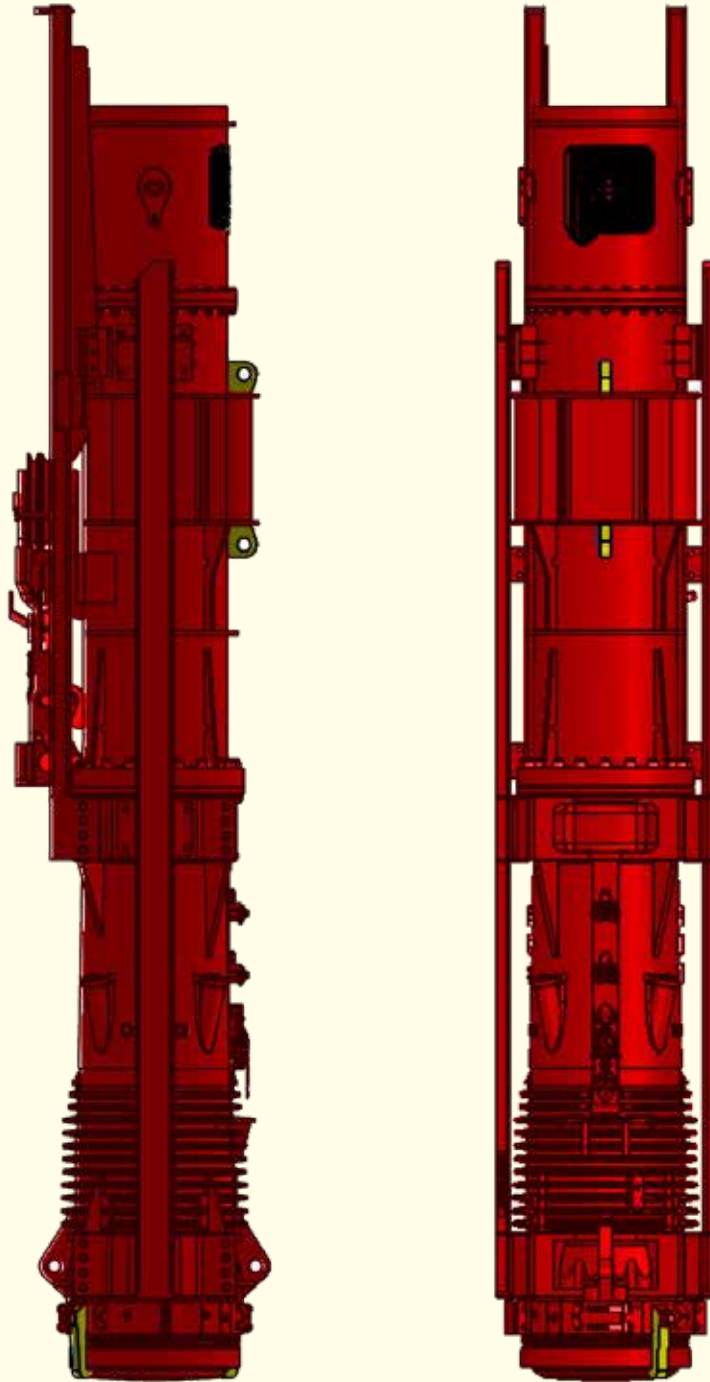


**PILECO INC.**

# Diesel Pile Hammer **D180-32**

*Parts Manual*

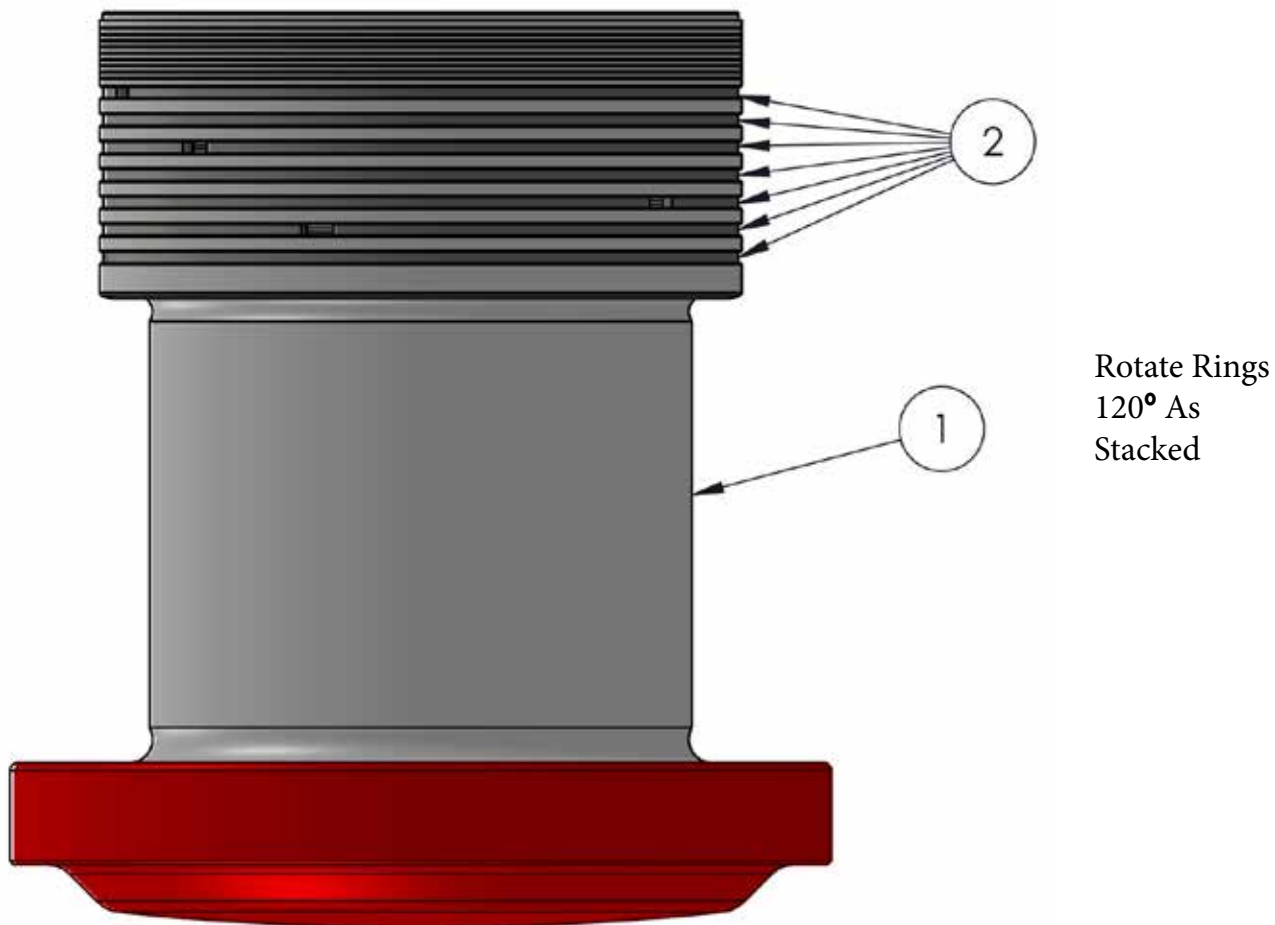
**Parts Manual**



**Contents Page**

<b>Impact Block</b>	<b>page #3</b>
<b>Striking Weight Piston</b>	<b>page #4</b>
<b>Lower Cylinder Complete</b>	<b>page #5</b>
<b>Lube Pump</b>	<b>page #6-8</b>
<b>Cylinder Complete</b>	<b>page #9</b>
<b>Pressure Valve</b>	<b>page #10</b>
<b>Manual Variable Delivery Fuel Pump</b>	<b>page #11-17</b>
<b>Pump Element 48MM</b>	<b>page #18</b>
<b>Stop Valve Complete</b>	<b>page #19</b>
<b>Suction Valve Complete</b>	<b>page #20</b>
<b>Check Non-Return Valve</b>	<b>page #21</b>
<b>Hydraulic Variable Delivery Fuel Pump</b>	<b>page #22-23</b>
<b>Fuel Pump Control</b>	<b>page #24</b>
<b>Fuel Injection Device</b>	<b>page #25</b>
<b>Threaded Pipe Joint</b>	<b>page #26</b>
<b>Hydraulic Push Start</b>	<b>page #27-29</b>
<b>Hydraulic Starting Device—Trip</b>	<b>page #30-32</b>
<b>Hydraulic Start Cylinder Ring</b>	<b>page #33</b>
<b>Lead Guiding U-48</b>	<b>page #34-35</b>

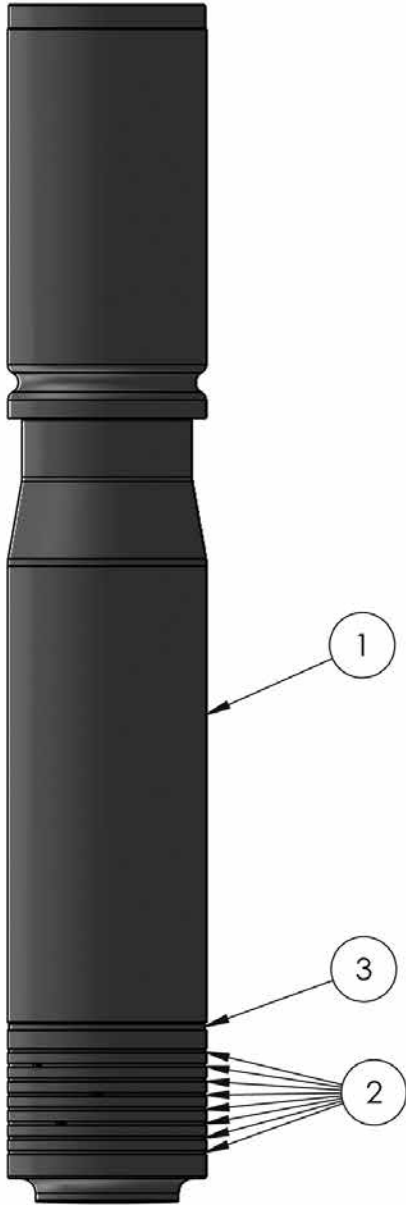
# Impact Block Complete



\*each part number links to web site part

ITEM NO.	PART NUMBER	DESCRIPTION	QTY.
1	220201	IMPACT BLOCK	1
2	220202	PISTON RING	7

# Striking Weight (Piston) Complete

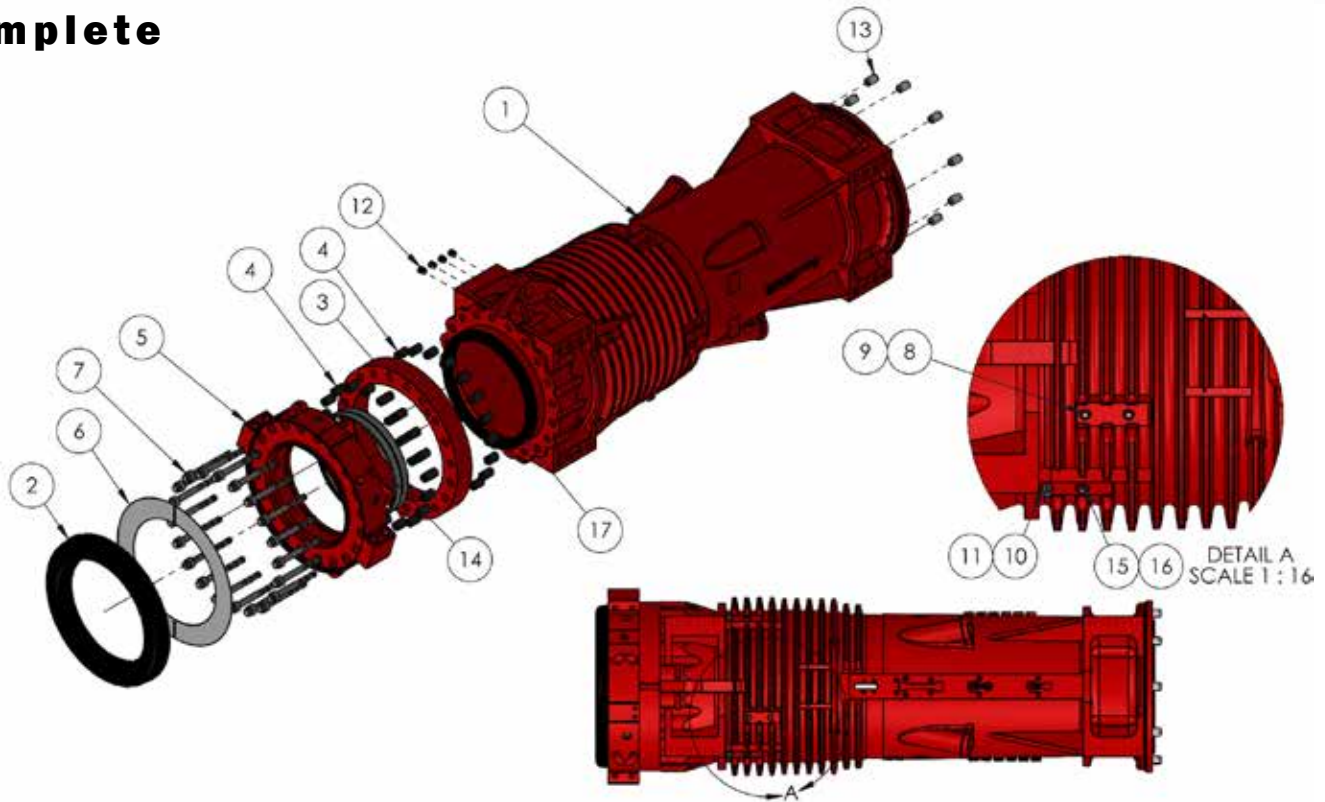


\*each part number links to web site part

ITEM NO.	PART NUMBER	DESCRIPTION	QTY.
1	220303	STRIKING WEIGHT(PISTON)	1
2	220202	PISTON RING	8
3	220304	CATCH PISTON RING	1

Rotate Rings  
120° As  
Stacked

## Lower Cylinder Complete



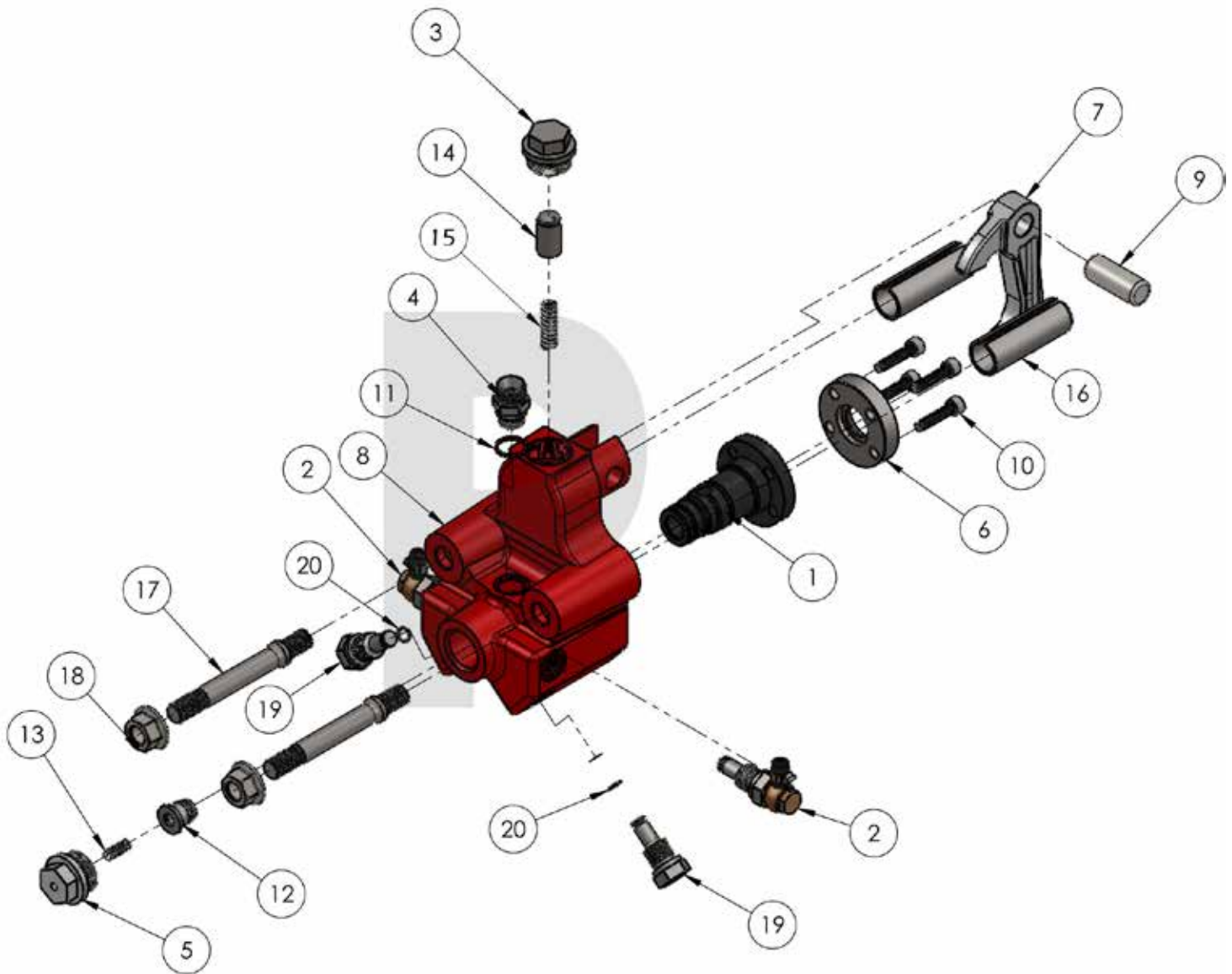
\*each part number links to web site part

ITEM NO.	PART NUMBER	DESCRIPTION	QTY.
1	220103-180	LOWER CYLINDER PART D180	1
2	220102	RUBBER RING SET	1
3	220106	TRICK RING D180	1
4	98807	DOWEL PIN 55 X 90	40
5	220104	CYLINDER END RING D160/180	1
6	220108	SPACER PLATE	1
7	220107	M36 X 350 REDUCER SCREW	20
8	90002	SEALING RING 18 X 22	2
9	91460	PLUG SCREW M18 X 1.5	2
10	22592	REDUCER	8
11	90791	GREASE NIPPLE M10 X 1	8
12	93233	36M THREADED INSERT	32
13	94281	DOWEL PIN 50 X 80	10
14	220105	D160/D180 INNER END RING	1
15	92016	20MM X 1.5 PLUG SCREW	5
16	92031	SEALING RING A20 X 24	4
17	220002	INNER DAMPING RING	1

# ***Lube Pump***



**Lube Pump  
Complete**



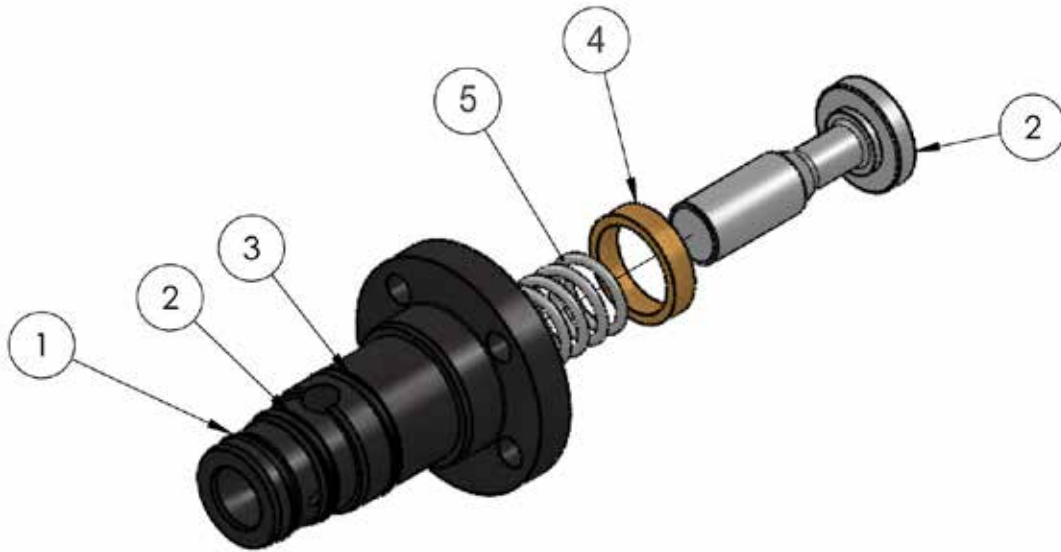
Continued.....

**Lube Pump  
Complete**

\*each part number links to web site part

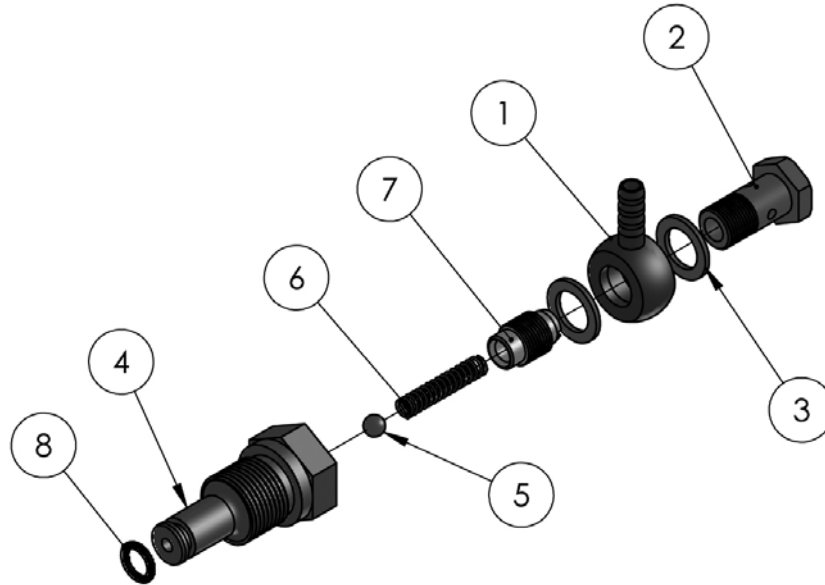
ITEM NO.	PART NUMBER	DESCRIPTION	QTY.
1	67279	CYLINDER COMPLETE	1
2	108317	PRESSURE VALVE COMPLETE	3
3	91976	PLUG SCREW	1
4	67290	ADAPTER	1
5	108328	PLUG SCREW	1
6	67282	WASHER	1
7	22081	LUBE PUMP LEVER	1
8	108315	LUBE PUMP BODY	1
9	22082	PUMP LEVER PIN	1
10	90937	M8 x 35 DIN 912 8.8	4
11	92031	SEALING RING A20 X 24	1
12	67284	PISTON COMPLETE	1
13	190479	PRESSURE SPRING 7.3 X 29.4 X 1.2	1
14	22090	SLEEVE	1
15	22089	PRESSURE SPRING 10 X 43 X 2	1
16	94315	DOWEL PIN 28 X 80 DIN 7346	2
17	20189	PUMP STUD M16	2
18	94722	M16 WASHER NUT	2
19	108316	PLUG SCREW	1
20	97855	O RING 8 X 2	1



**Cylinder  
Complete**


\*each part number links to web site part

ITEM NO.	PART NUMBER	DESCRIPTION	QTY.
1	205020	O RING 24 X 3	1
2	91357	O RING 26 X 3	1
3	92952	O RING 30 X 3	1
4	67283	RING	1
5	97325	PRESSURE SPRING 22 X 52 X 2, 8	1

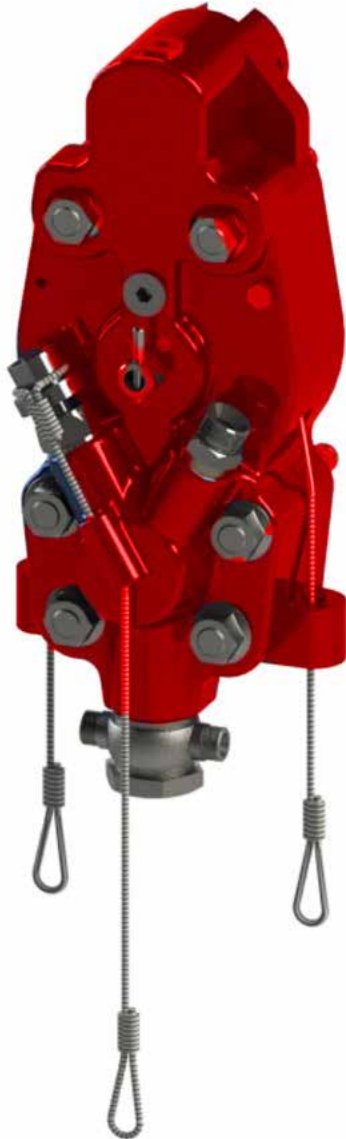
**Pressure Valve  
Complete**


\*each part number links to web site part

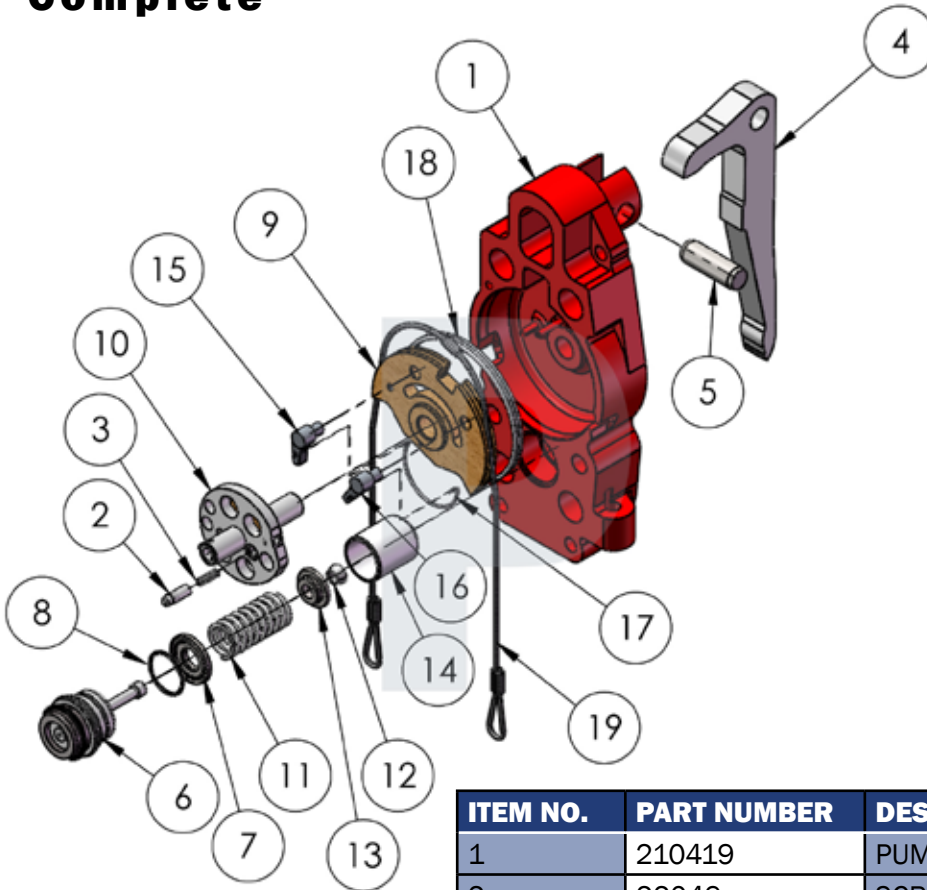
ITEM NO.	PART NUMBER	DESCRIPTION	QTY.
1	97949	RING NIPPLE	1
2	97948	HOLLOW SCREW A6 DIN 7623-6.8	1
3	91417	SEALING RING A12 X 15.5 DIN 7603-CU	2
4	108319	ADAPTER	1
5	90307	BALL 6MM DIN 5401	1
6	190005	PRESSURE SPRING 5 X 36 X 0.8	1
7	104679	PLUG SCREW	1
8	97855	8 X 2 O-RING	1

**SOLD  
TOGETHER**

# ***Manual Delivery Fuel Pump***

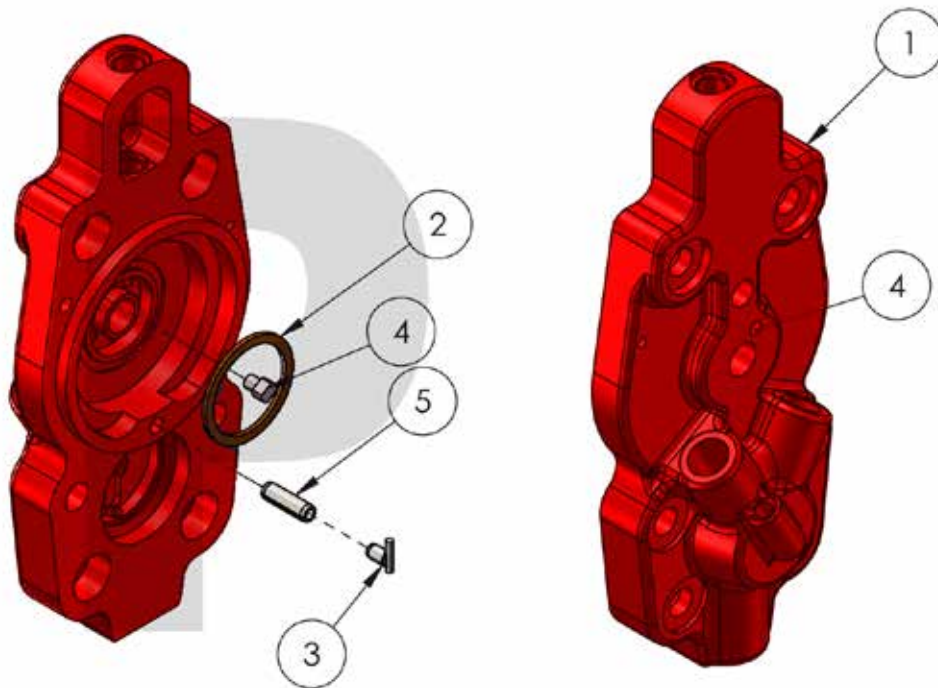


# Manual Variable Delivery Fuel Pump Complete



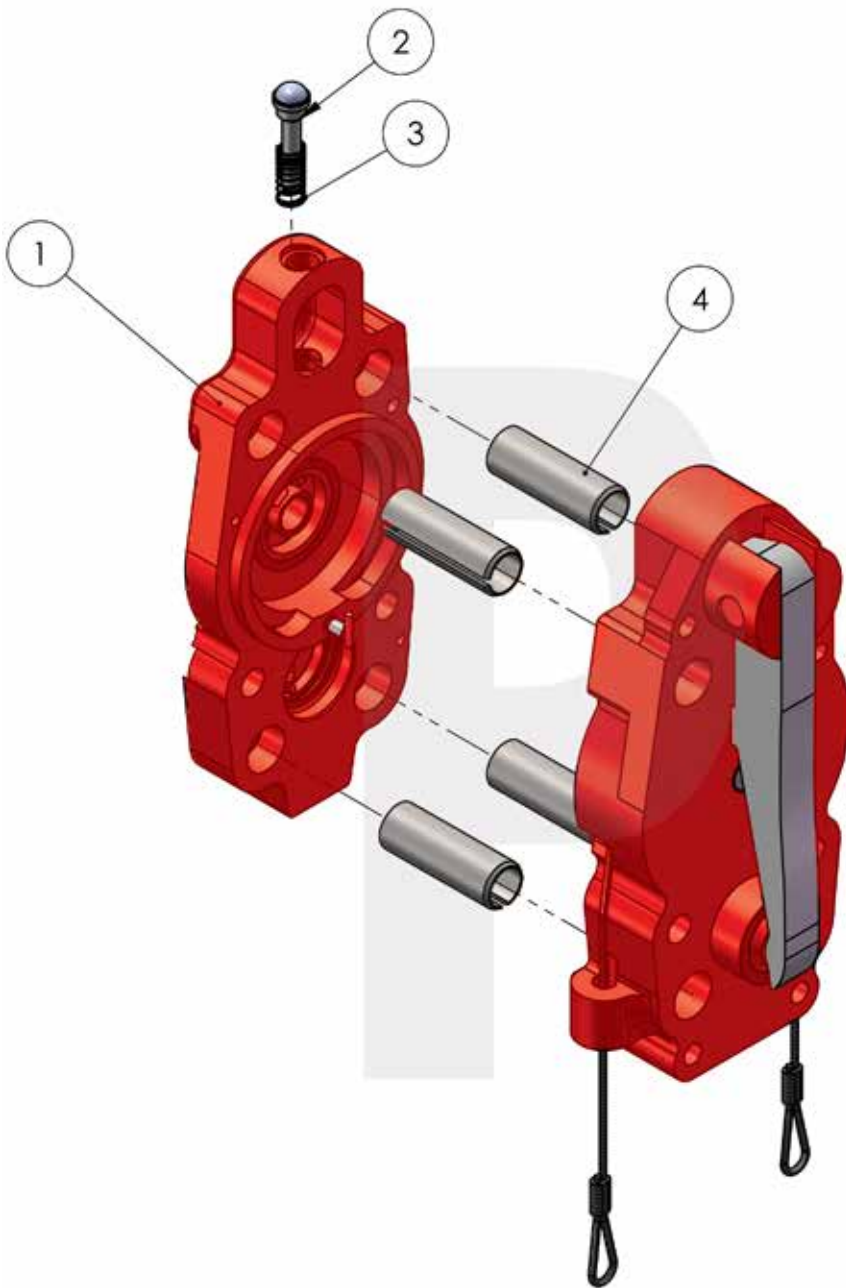
\*each part number links to web site part

ITEM NO.	PART NUMBER	DESCRIPTION	QTY.
1	210419	PUMP BODY	1
2	22049	SCREEN PIN	1
3	22044	PRESSURE SPRING 5.5 X 20 X 1.2	1
4	210409	PUMP LEVER	1
5	22043	PUMP LEVER PIN	1
6	220410	D180 PUMP ELEMENT COMPLETE 48MM	1
7	210411	HOLDER RING	1
8	210410	ROUND SEALING RING 48.7 X 2.65	1
9	22040	ROPE DISC	1
10	43308	SWITCH SHAFT	1
11	22060	PRESSURE SPRING 28 X 67.2 X 3.5	1
12	22059	CONICAL RING 2 PCS	1
13	22058	SPRING RETAINING COLLAR	1
14	43287	GUIDE SLEEVE	1
15	22051	CAM	1
16	22052	CAM	1
17	22245	SPRING	1
18	22062	SWIVEL SPRING	1
19	17546	REGULATION ROPE	1

**Manual Variable Delivery Fuel  
Pump Cover Complete**


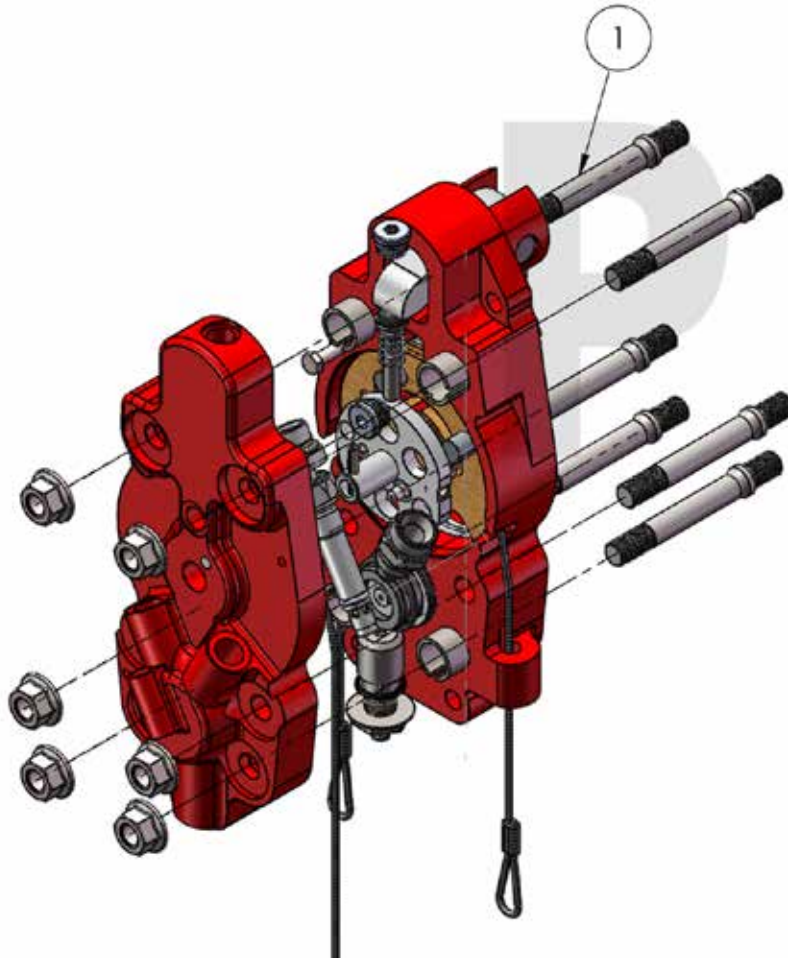
\*each part number links to web site part

ITEM NO.	PART NUMBER	DESCRIPTION	QTY.
1	210420	PUMP COVER	1
2	22050	RING	1
3	22796	STOP	1
4	43307	STOP PIN	1
5	90231	10MM X 32 ROLL PIN	1

**Manual Variable Delivery Fuel Pump  
Complete**


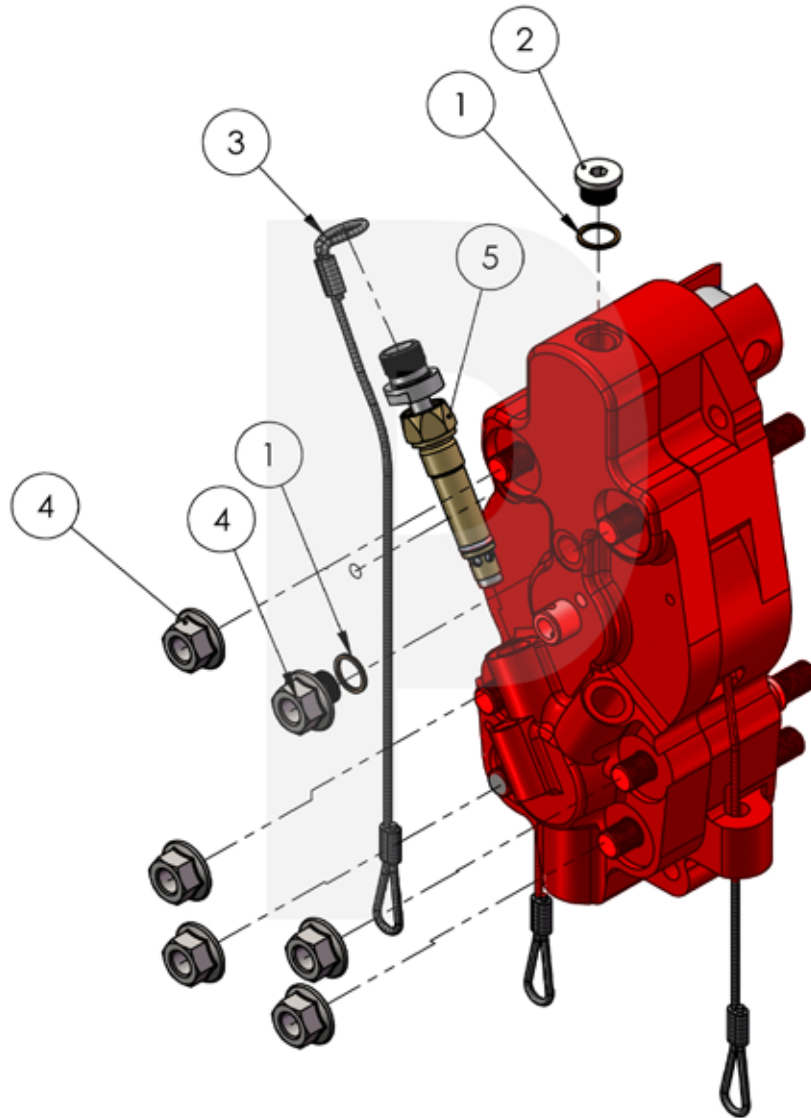
\*each part number links to web site part

ITEM NO.	PART NUMBER	DESCRIPTION	QTY.
1	210420	PUMP COVER complete	1
2	62125	PRESSURE PIECE	1
3	22046	PRESSURE SPRING	1
4	94315	DOWEL PIN 28 X 80	4

**Manual Variable Delivery Fuel Pump  
Complete**


\*each part number links to web site part

ITEM NO.	PART NUMBER	DESCRIPTION	QTY.
1	20189	PUMP STUD M16	6

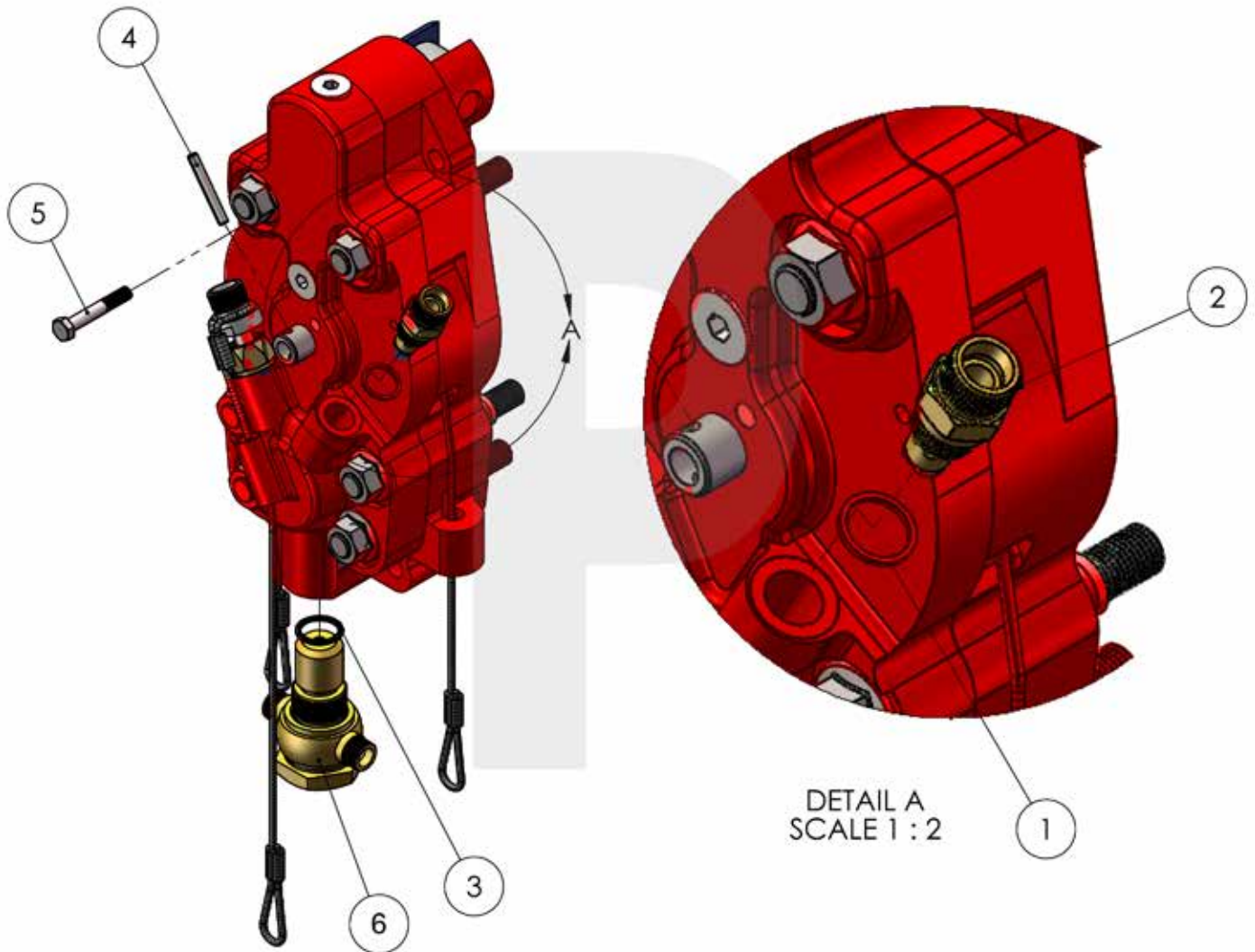
**Manual Variable Delivery Fuel Pump  
Complete**


\*each part number links to web site part

ITEM NO.	PART NUMBER	DESCRIPTION	QTY.
1	90002	SEALING RING A18 X 22	2
2	93055	PLUG SCREW M18 X 1.5	2
3	17546	REGULATING ROPE	1
4	94722	M16 WASHER NUT	6
5	210422	STOP VALVE COMPLETE	1

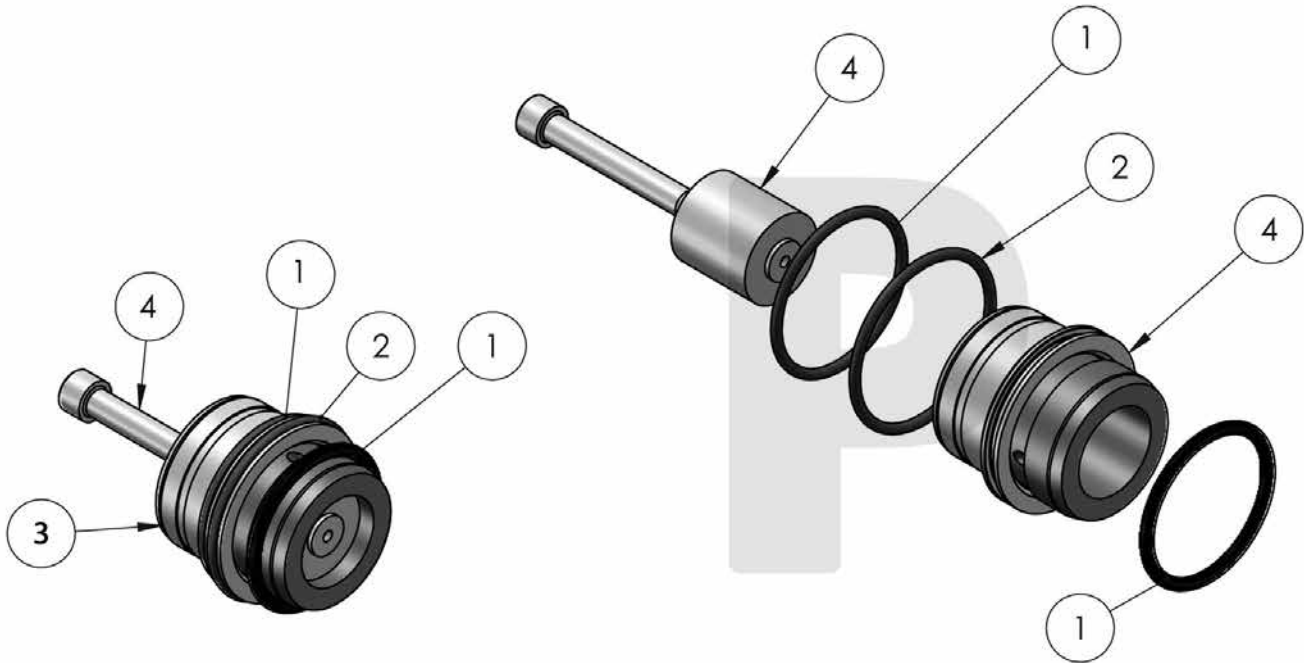


# Manual Variable Delivery Fuel Pump Complete



\*each part number links to web site part

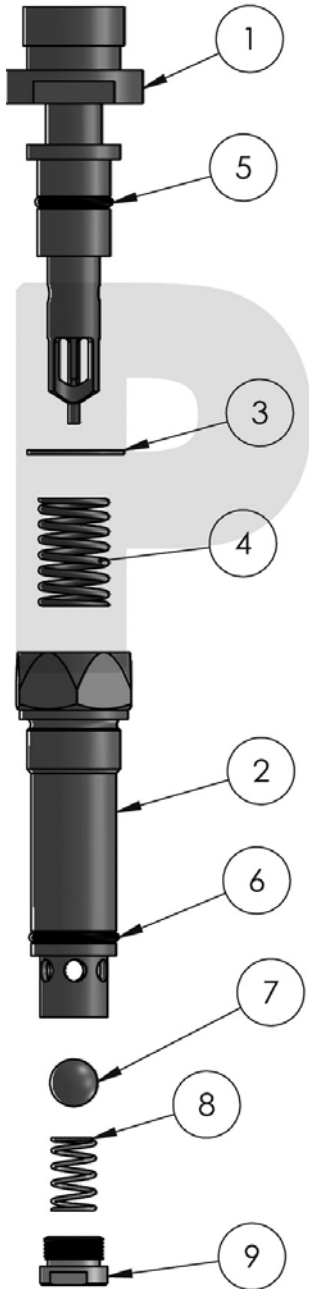
ITEM NO.	PART NUMBER	DESCRIPTION	QTY.
1	210412	SEALING RING A25 X 30	1
2	210421	SUCTION VALVE complete	1
3	91296	O-RING 22 X 3	1
4	90150	DOWEL PIN 6 X 40	1
5	93456	LOCKING SCREW M8 X 50	1
6	60827	CHECK NON-RETURN VAVLE COMPLETE	1

**48MM Pump Element  
Complete**


*\*each part number links to web site part*

ITEM NO.	PART NUMBER	DESCRIPTION	QTY.
1	210416	ROUND SEALING RING 56 X 2.65	2
2	210417	ROUND SEALING RING 60 X 2.65	1
3 not sold seperately	220410	48MM ELEMENT BODY	1
4 not sold seperately	220410	48MM ELEMENT PLUNGER	1

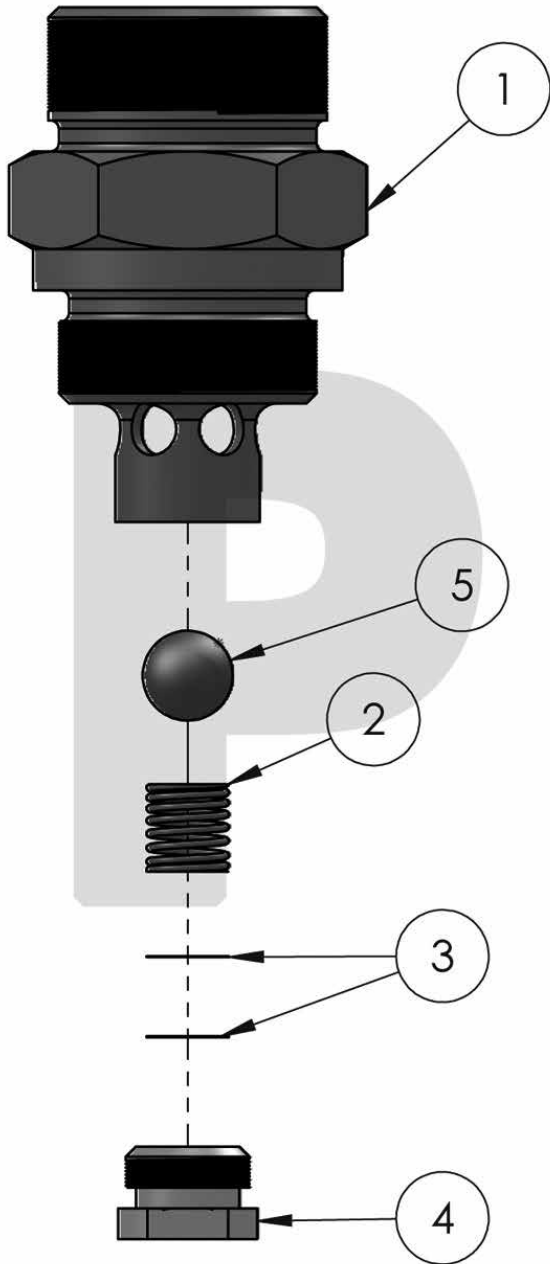
## Stop Valve Complete



\*each part number links to web site part

ITEM NO.	PART NUMBER	DESCRIPTION	QTY.
1	210423	VALVE PISTON	1
2	210429	VALVE SCREW	1
3	210430	25 X 1.2 CIRCLIP	1
4	210424	PRESSURE SPRING 18.8 X 2 X 30	1
5	210428	O RING 15 X 2.65	1
6	210425	O RING 18 X 2.65	1
7	210431	12.7MM BALL BEARING	1
8	210427	PRESSURE SPRING 12 X 1.2 X19.5	1
9	210426	THREADED PLUG	1

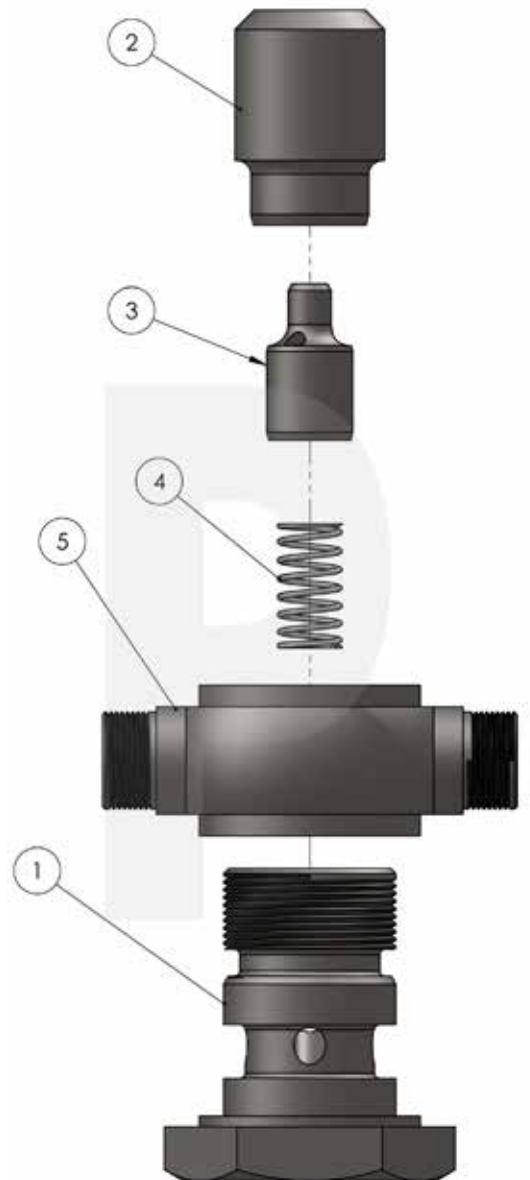
## Suction Valve Complete



*\*each part number links to web site part*

ITEM NO.	PART NUMBER	DESCRIPTION	QTY.
1	210432	SLEEVE	1
2	22022	PRESSURE SPRING 7.3 X 8 X 0.7	1
3	22023	WASHER	2
4	41862	THREADED PLUG	1
5	98511	BALL 8.731MM	1

## Check Non-Return Valve Complete



\*each part number links to web site part

ITEM NO.	PART NUMBER	DESCRIPTION	QTY.
1	60194	HOLLOW SCREW	1
2	43297	HOUSING	1
3	43299	VALVE PISTON	1
4	22034	PRESSURE SPRING	1
5	60195	RING NIPPLE	1



---

**Hydraulic Variable Delivery Fuel Pump  
Complete**

coming soon



---

**Hydraulic Variable Delivery Fuel Pump  
Complete**

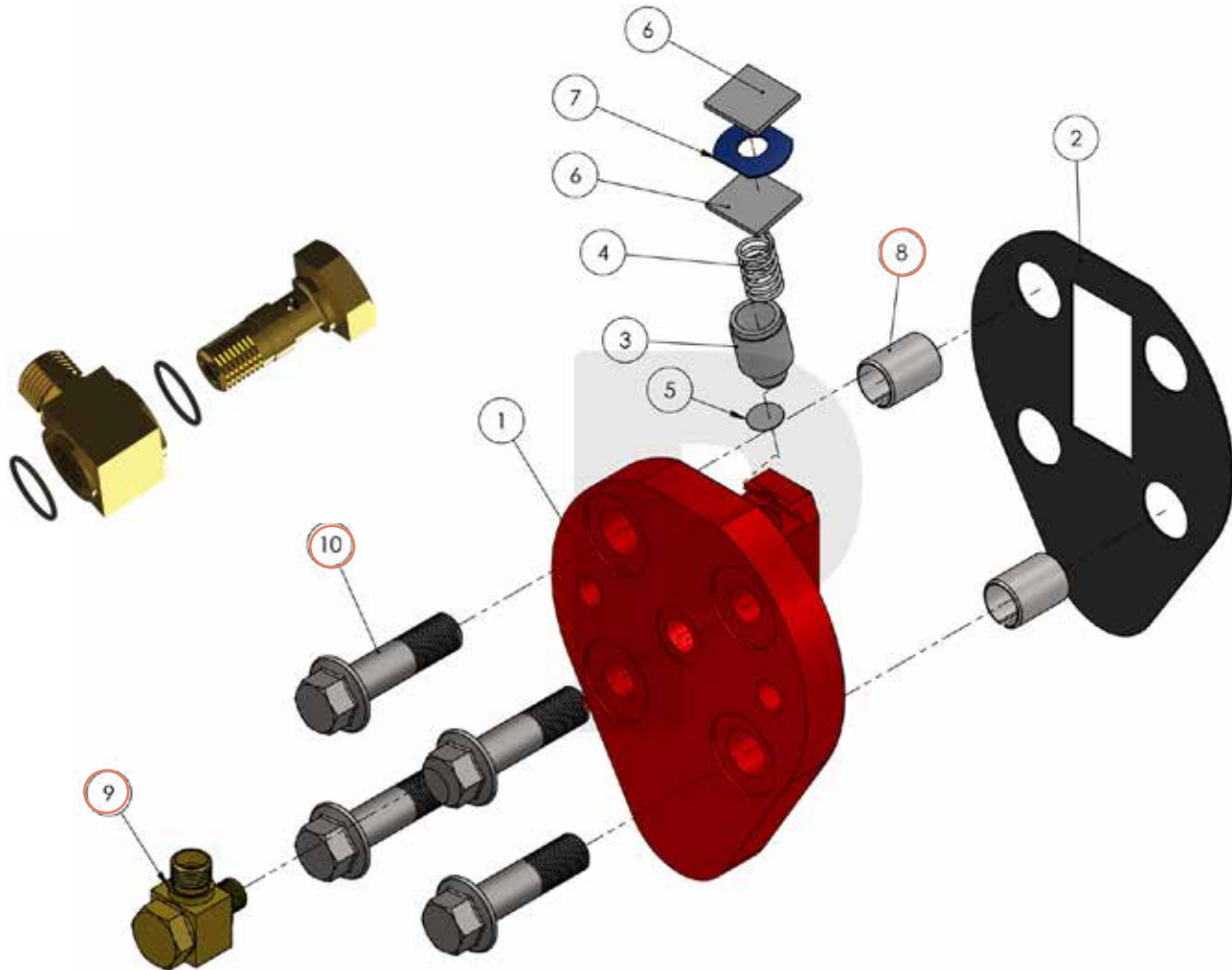
coming soon

---

**Fuel Pump Control  
Complete**

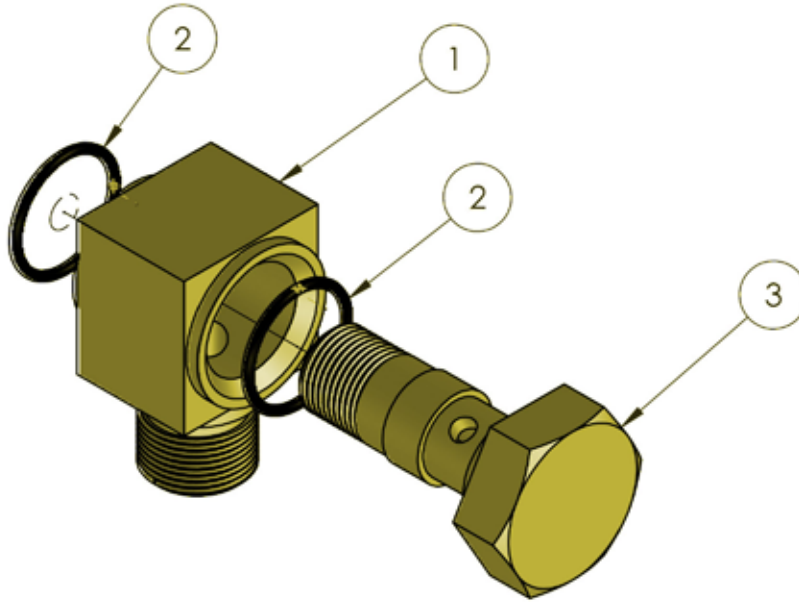
coming soon



**Fuel Injection Device  
Complete**


TEM NO.	PART NUMBER	DESCRIPTION	QTY.
1	102133	INJECTION PLATE 20°	1
2	45647	GASKET	1
3	63843	VALVE PISTION	1
4	97569	PRESSURE SPRING	1
5	97573	ADJUSTING WASHER	1
6	64460	LOCKING PLATE	2
7	64461	SPRING WASHER	1
8 <b>sold separately</b>	95633	DOWEL PIN 21 X 28 DIN 7346	2
9 <b>sold separately</b>	97038	THREADED PIPE JOINT (UNION)	1
10 <b>sold separately</b>	95639	LOCKING SCREW M16 X 45	4

# Threaded Pipe Joint Complete



**NOTE:** ITEM SHOULD BE REPLACED WITH NEW PIPE JOINT COMPLETE WHEN REMOVED FOR SERVICING

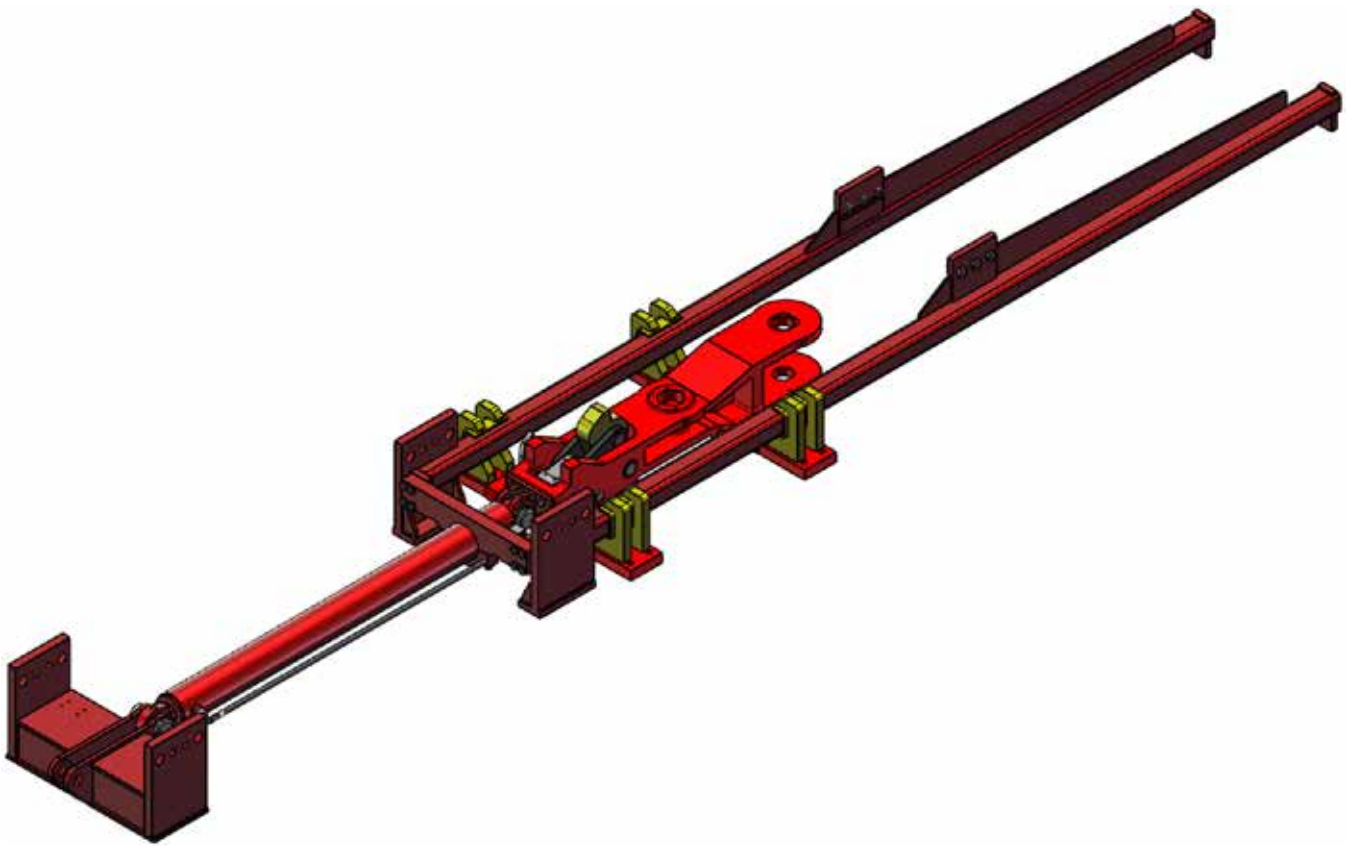
**#1 SOLD COMPLETE**

*\*each part number links to web site part*

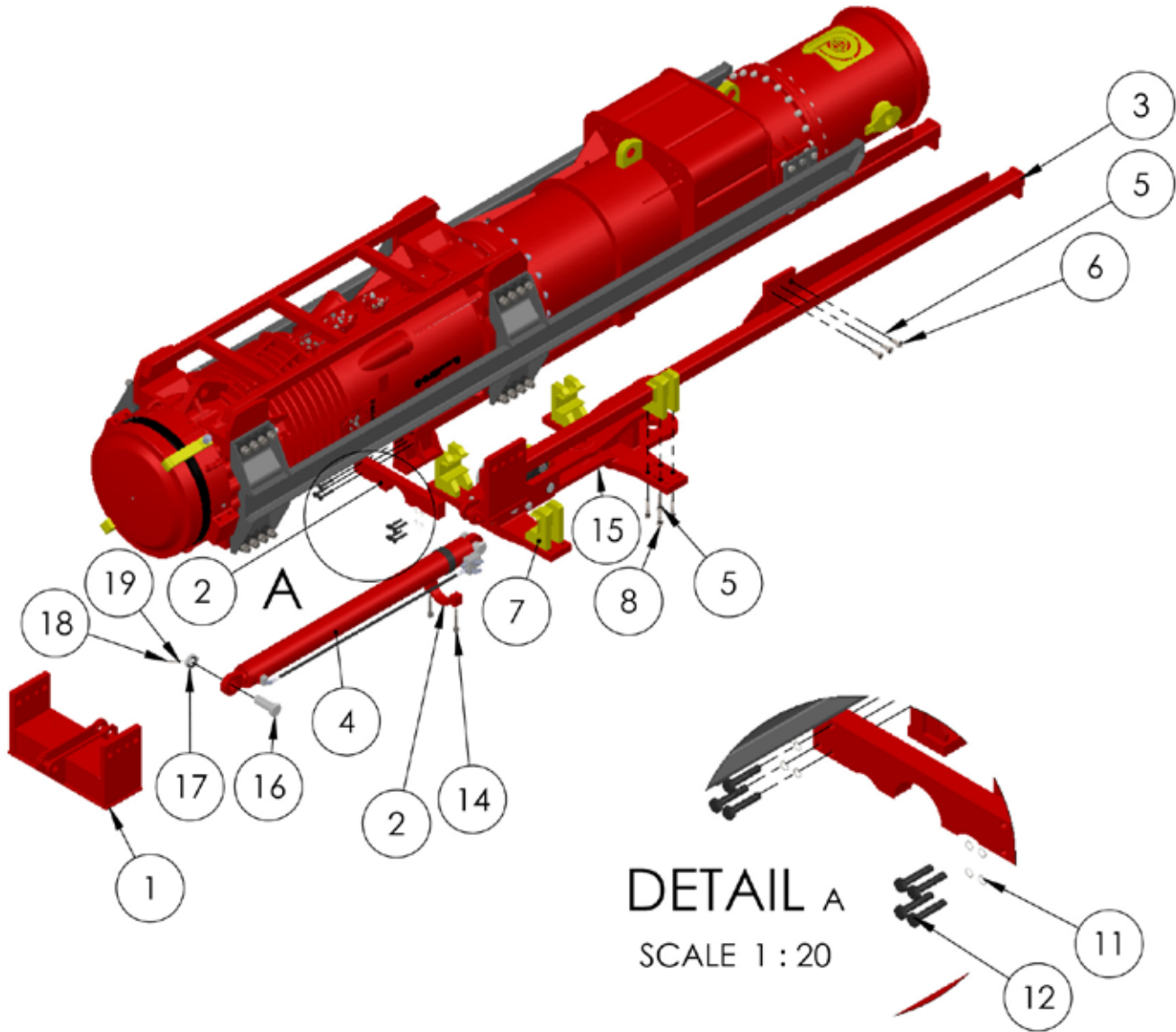
ITEM NO.	PART NUMBER	DESCRIPTION	QTY.
<b>1</b>	<b>97038</b>	THREADED PIPE JOINT	<b>1</b>
2	97258	O RING 17 X 1.5	2
3	210405	HOLLOW SCREW	1
<b>4</b>	90127	OLIVE	1
<b>5</b>	204012	UNION NUT M16X1.5	1

**Sold with  
but not  
needed in  
this model.**

# ***Hydraulic Push Start***



**Hydraulic Push Start  
Complete**



*continued....*

## Hydraulic Push Start Complete

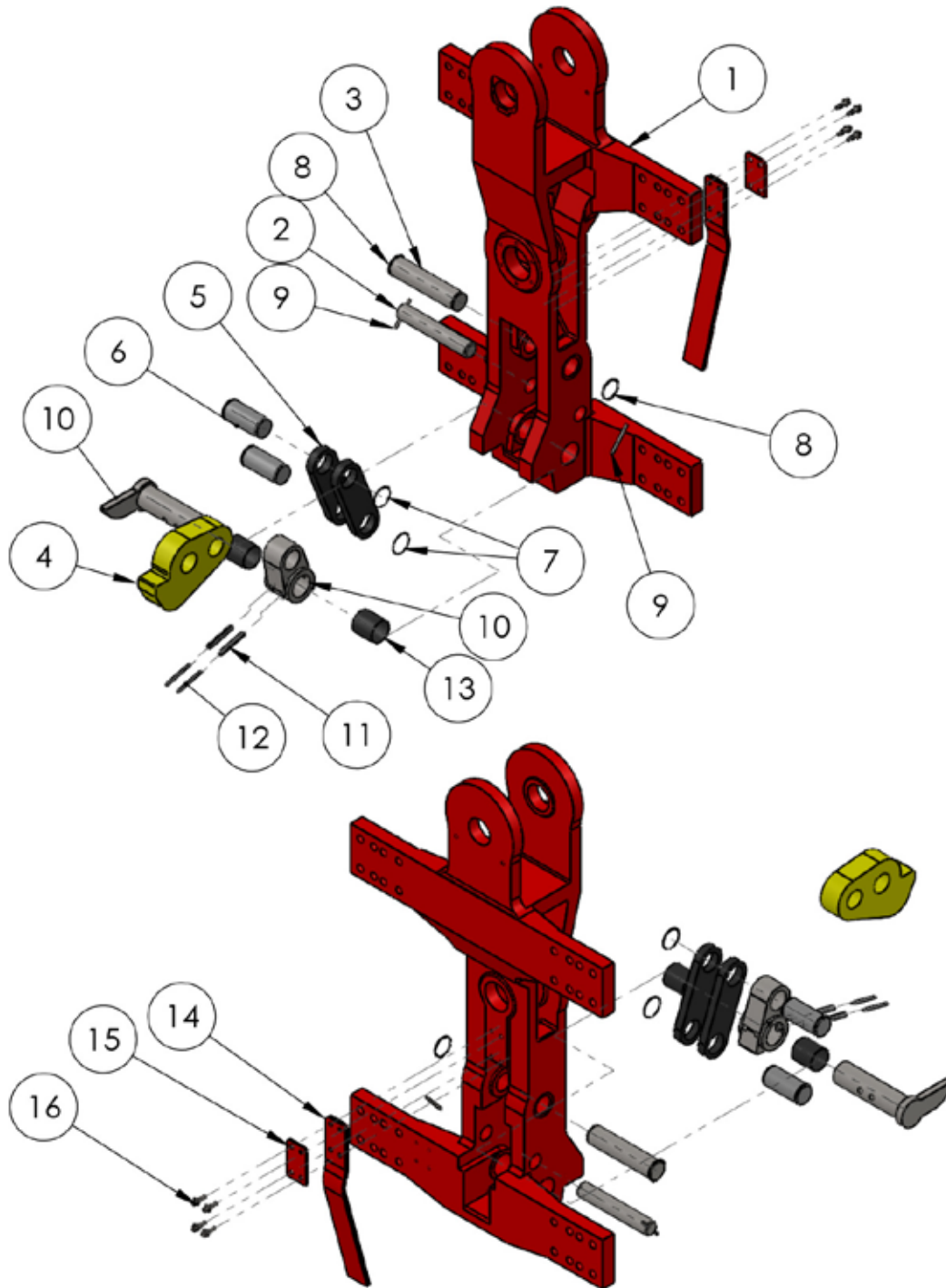
...continued from above

ITEM NO.	PART NUMBER	DESCRIPTION	QTY.
1	221309	D160/180 HYDRAULIC START LOWER BRACKET	1
2	221305	BRACKET, MIDDLE FOR D160/D180 HYD. CYLINDER	1
3	221301	D160/180 START GUIDES FOR HYDRAULIC START	1
4	211330	HYDRAULIC PUSH START CYLINDER COMPLETE	1
5	207103	30MM SCHNORR SAFETY WASHER	22
6	207102	30MM-3.5 X 80MM HEX HEAD CAPSCREW	6
7	221302	GUIDE GIB D160/D180	4
8	221303	30MM X 120 SOCKET HEAD CAP SCREW 12.9	16
9	220900	D160/180 TRIP GEAR COMPLETE	1
10	221304	BRACKET, UPPER FOR D160/D180 HYD. CYLINDER	1
11	203131	24MM SCHNORR SAFETY WASHER	12
12	261417	24MM-3.0 X 70 HEX HEAD CAPSCREW	4
13	91929	M24 X 120 HEX HEAD CAPSCREW	8
14	20174	24MM X 165 REDUCER SCREW 12.9	2
15	220900-H	D160/180 HYDRAULIC TRIP ASSEMBLY	1
16	8001461	HYDRAULIC START PIN D125-180	2
17	8001414	HYDRAULIC START LOCKING RING D125-D280	2
18	211350	13MM X 100 DOWEL PIN (SPLIT)	2
19	211351	8MM X 100 DOWEL PIN (SPLIT)	2

# ***Hydraulic Starting Device (Trip)***



**Hydraulic Starting Device (Trip)  
Assembly**



Continued.....

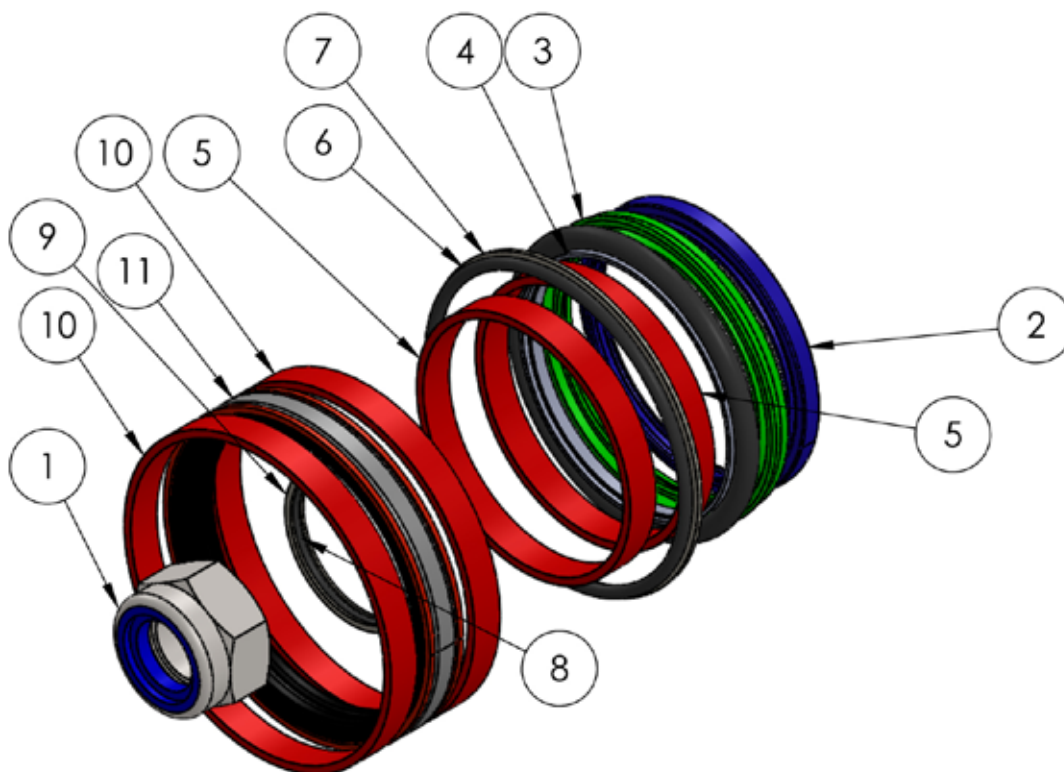
## Hydraulic Starting Device (Trip) Assembly

Continued from pg. before

ITEM NO.	PART NUMBER	DESCRIPTION	QTY.
1	220912	GUIDE BODY	1
2	220909	JOINT BOLT	1
3	220908	SHAFT	1
4	220905	PAWL	1
5	220906	SHACKLE	2
6	220911	SHAFT	2
7	220915	CIRCLIP 80 X 2.5	4
8	220922	CIRCLIP 75×2.5	2
9	220910	10MM X 120 ROLL PIN	2
10	220918	D160/D180 HYDRAULIC TRIP ASSEMBLY	1
11	220920	20MM X 130 ROLL(DOWEL) PIN	2
12	220921	12MM X 130 ROLL(DOWEL) PIN	2
13	220913	SLEEVE	2
14	220903	LEAF SPRING	2
15	220904	PLATE	1
16	220930	SERRATED HEX FLANGE LOCKING SCREW 16-2.0MM X 45	4



## D180 Hydraulic Start Cylinder Ring Kit

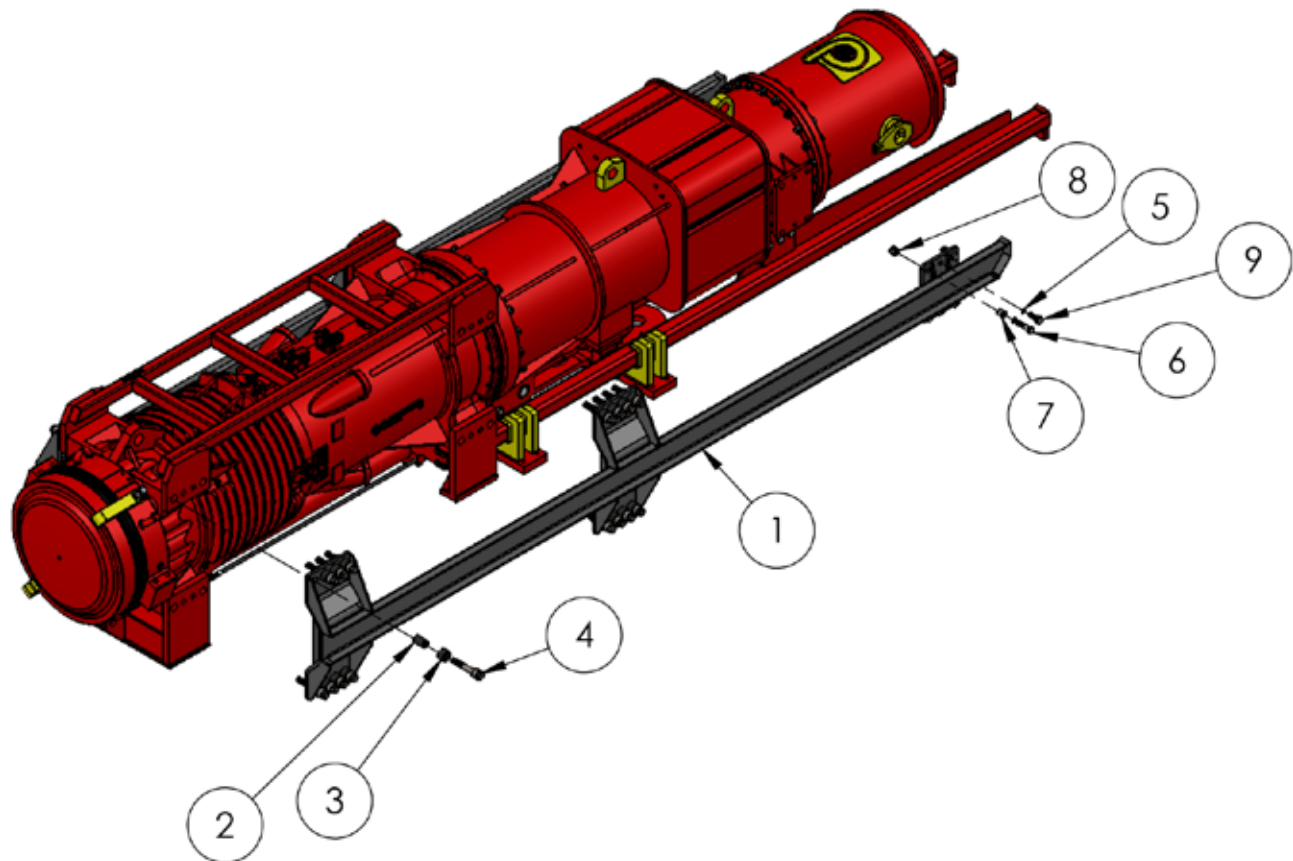


\*each part number links to web site part

ITEM NO.	PART NUMBER	DESCRIPTION	QTY.
1	201104	20MM X 2.5 NYLON INSERT LOCK NUT	1
2	211337	WIPER SEAL	1
3	211338	ROD SEAL	1
4	211339	ROD SEAL	1
5	211340	WEAR RING	2
6	211341	165 X 5.7 O-RING	1
7	211342	166 X 156-2 BACKING RING	1
8	211343	2-230 63.09 X 3.53 O-RING	1
9	211344	65 X 70.5-1.5 BACKING RING	2
10	211345	165 X 160-1.5 GUIDING RING	2
11	211346	165 X 142 X 16 DOUBLE ACTING PISTON SEAL	1

# ***Guides***



**D180 U-48 X 8 LEAD GUIDING  
Assembly**


ITEM NO.	PART NUMBER	DESCRIPTION	QTY.
1	221207	U-48 GUIDING SET	1
2	211308	55MM X 95 DOWEL PIN	32
3	211309	SPACER CUP	32
4	20038	HEX BOLT M36 X 210	32
5	207103	30MM SCHNORR SAFETY WASHER	12
6	221201	30MM-3.5 X 110 HEX HEAD CAP SCREW 10.9	8
7	221203	DOWEL SLEEVE	8
8	221204	30-3.5 NYLON INSERT LOCKNUT 8	
9	211201	M30 X 80 HEX HEAD CAPSCREW	4