

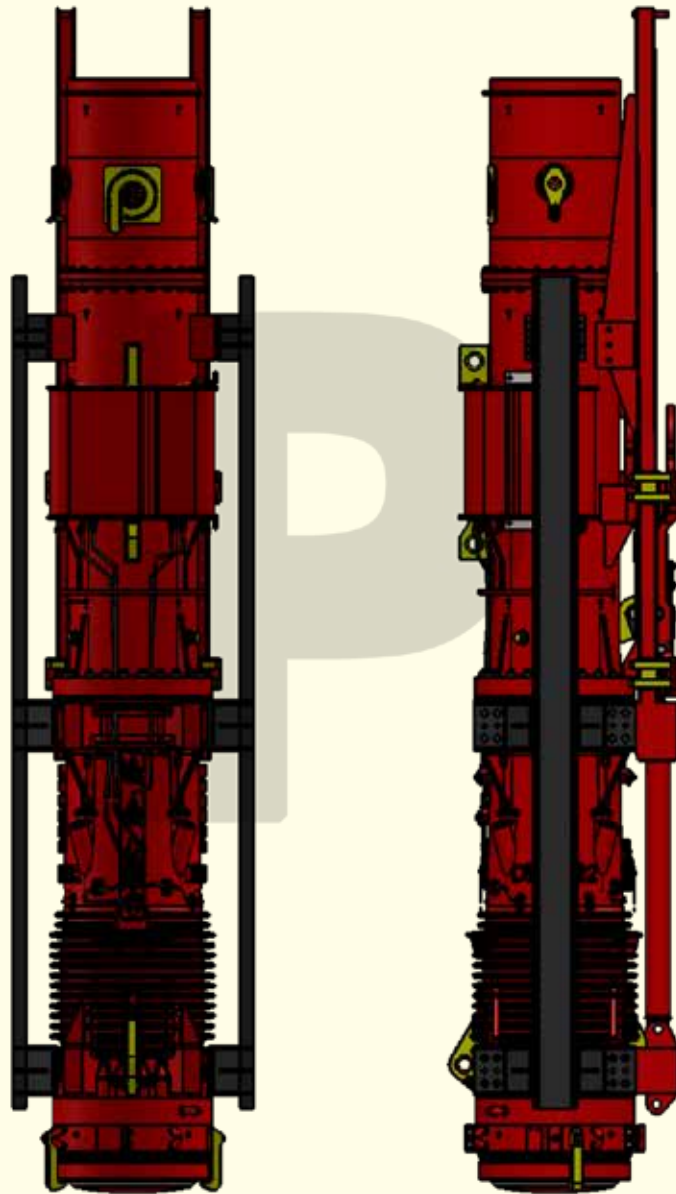


PILECO INC.

Diesel Pile Hammer **D280-22**

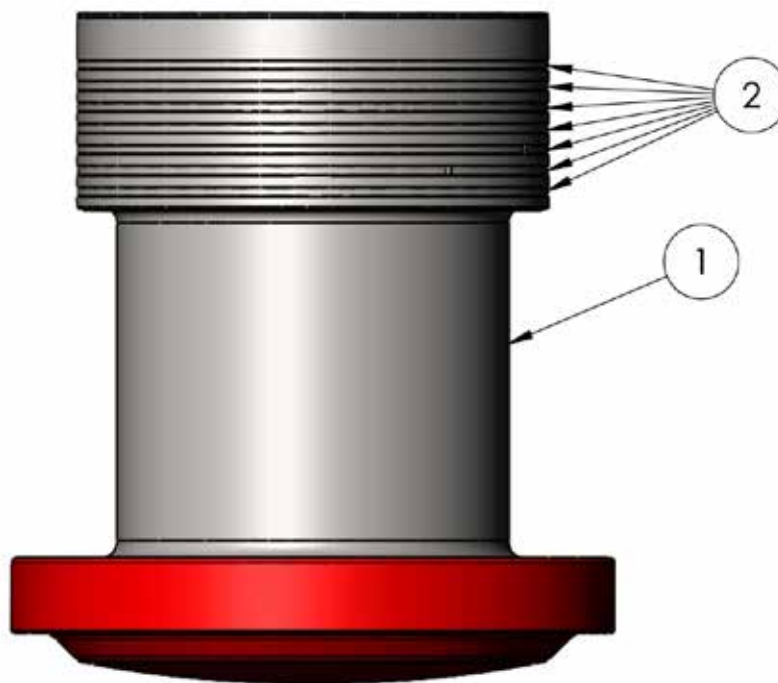
Parts Manual

Parts Manual



Contents Page

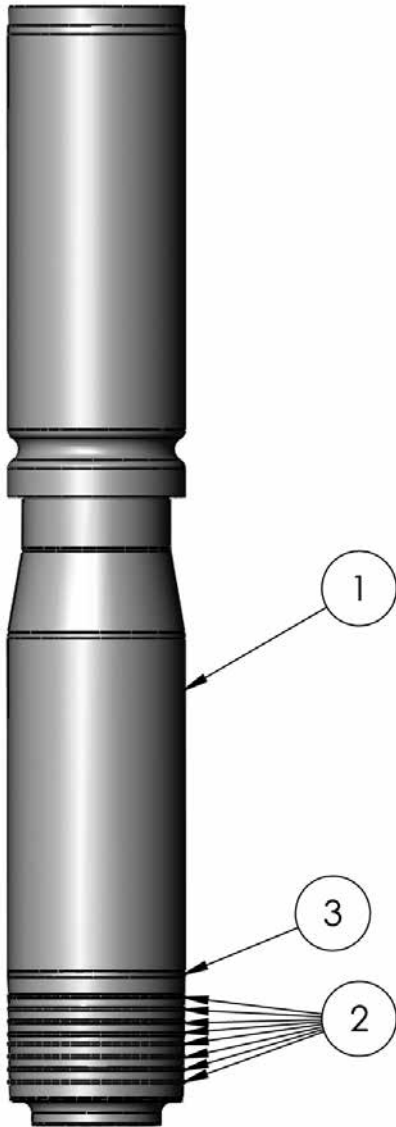
Impact Block	page #3
Striking Weight Piston	page #4
Lower Cylinder Complete	page #5
Lube Pump	page #6-8
Cylinder Complete	page #9
Pressure Valve	page #10
Piston Complete	page #11
Manual Variable Delivery Fuel Pump	page #12-18
Pump Element 41MM	page #19
Stop Valve Complete	page #20
Suction Valve Complete	page #21
Check Non-Return Valve	page #22
Hydraulic Variable Delivery Fuel Pump	page #23-25
Fuel Pump Control	page #26
Hydraulic Hand Pump	page #27-28
Manifold Complete	page #29
Hand Pump 1/4" Hose assembly	page # 30
Fuel Injection Device	page #31-32
Threaded Pipe Joint	page #33
Upper Cylinder Complete	page #34-35
Filter Assembly	page #36
Counterbalance Valve Assembly	page #37
Hydraulic Starting Device—Trip	page #38-39
Hydraulic Start Cylinder Ring	page #40
Tool Box	page #41-43

**Impact Block
Complete**


Rotate Rings
120° As
Stacked

**each part number links to web site part*

ITEM NO.	PART NUMBER	DESCRIPTION	QTY.
1	230201	IMPACT BLOCK	1
2	230202	PISTON RING	7

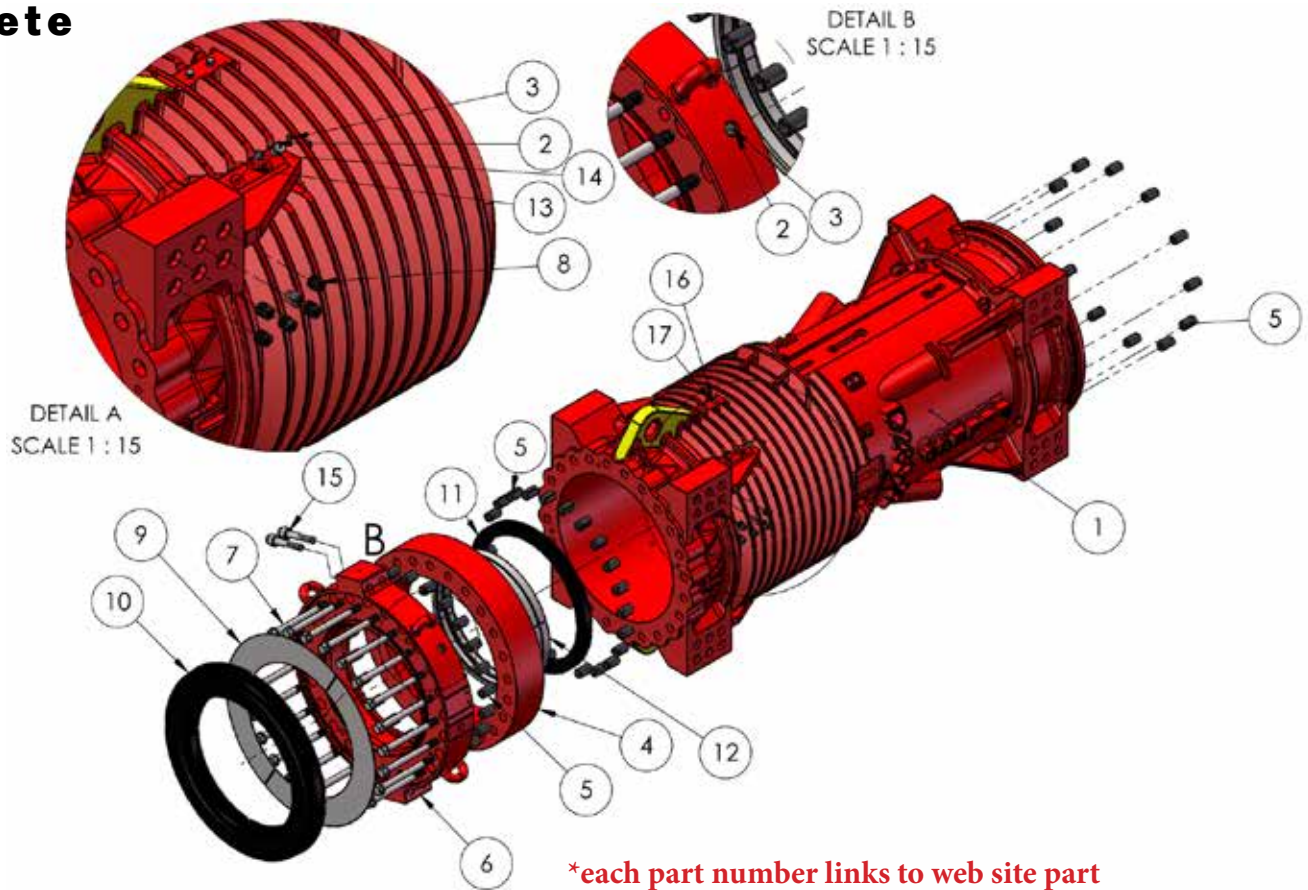
**Striking Weight (Piston)
Complete**


*each part number links to web site part

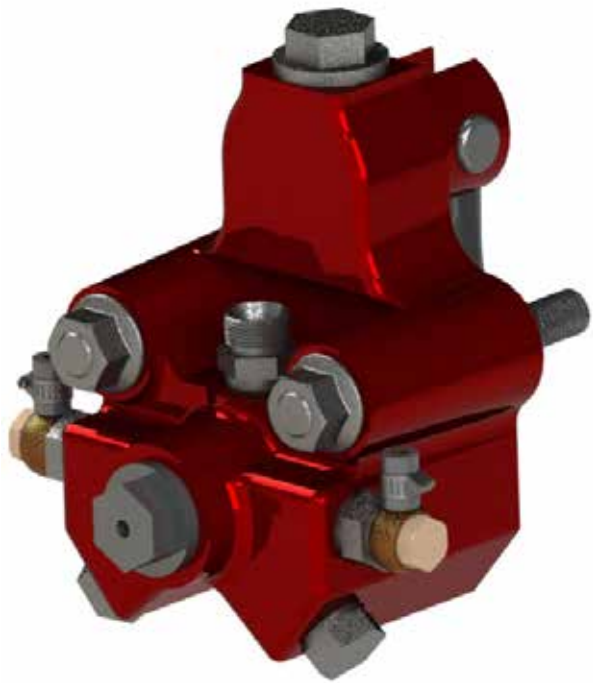
ITEM NO.	PART NUMBER	DESCRIPTION	QTY.
1	230306	STRIKING WEIGHT(PISTON)	1
2	230202	PISTON RING	8
3	230304	CATCH PISTON RING	1

Rotate Rings
120° As
Stacked

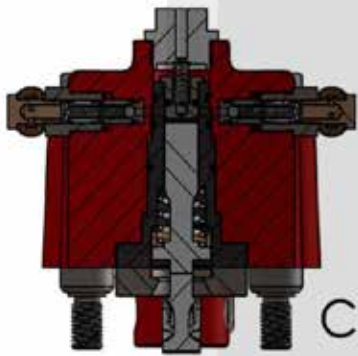
Lower Cylinder Complete



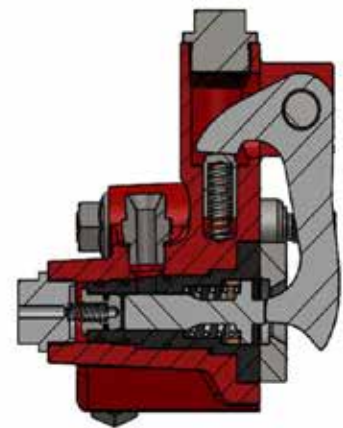
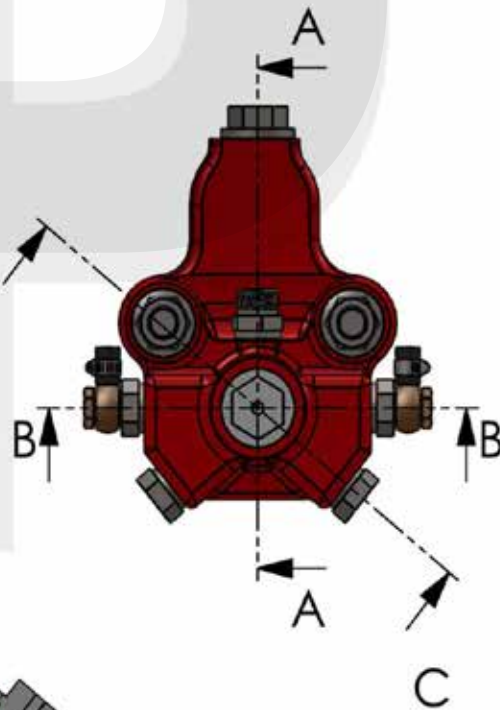
ITEM NO.	PART NUMBER	DESCRIPTION	QTY.
1	230110	CYLINDER LOWER PART	1
2	22592	REDUCER	8
3	90791	GREASE NIPPLE M10 X 1	8
4	230112	TRICK RING	1
5	98807	DOWEL PIN 55 X 90	60
6	230106	CYLINDER OUTER END RING(2 pieces)	1
7	230111	M24 X 165 HEX BOLT	24
8	93233	36M THREADED INSERT	48
9	230108	SPACER RING (2 PIECE)	1
10	230102	RUBBER RING	1
11	230002	INNER DAMP RING	1
12	230107	INNER END RING	1
13	92031	SEALING RING A20 X 24	4
14	92016	20MM X 1.5 PLUG SCREW	4
15	20038	HEX BOLT M36 X 210	4
16	230103	PLUG SCREW M24 X 1.5	4
17	230104	SEALING RING A24X22 DIN 7603-CU	4



Lube Pump

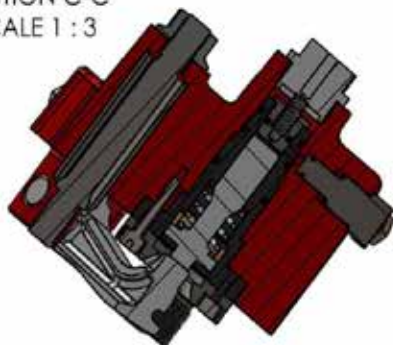


SECTION B-B
SCALE 1 : 3

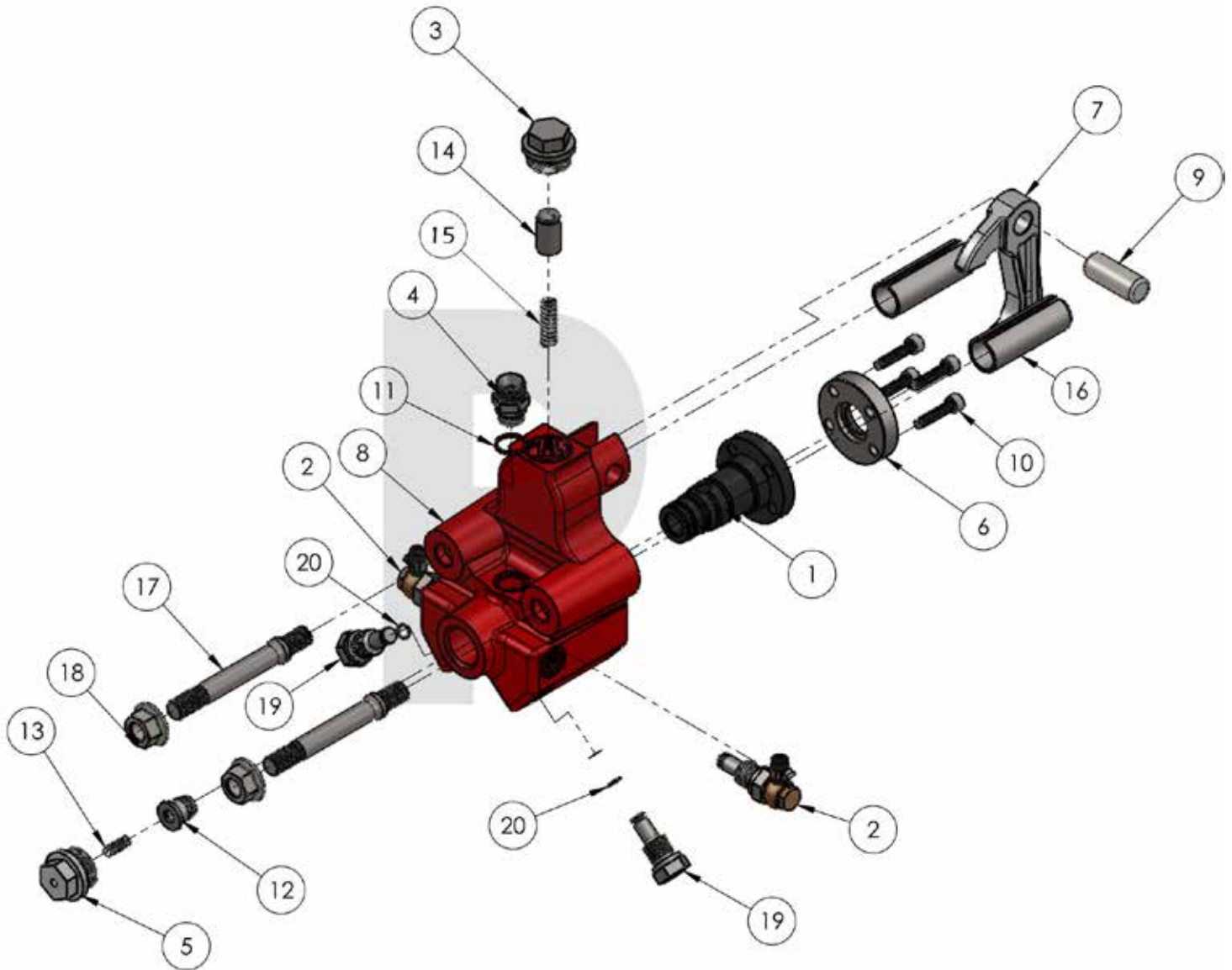


SECTION A-A
SCALE 1 : 3

SECTION C-C
SCALE 1 : 3



**Lube Pump
Complete**

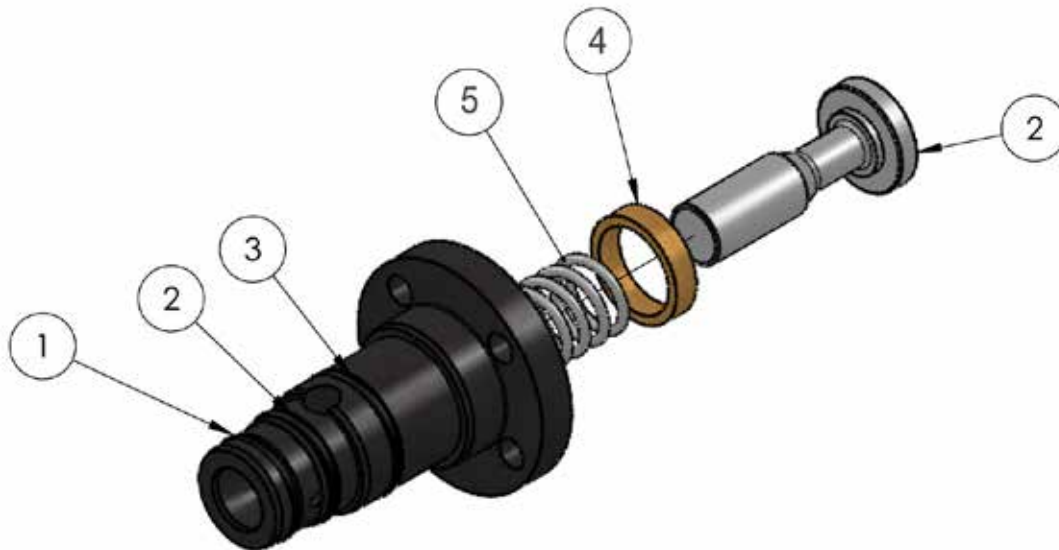


Continued.....

**Lube Pump
Complete**

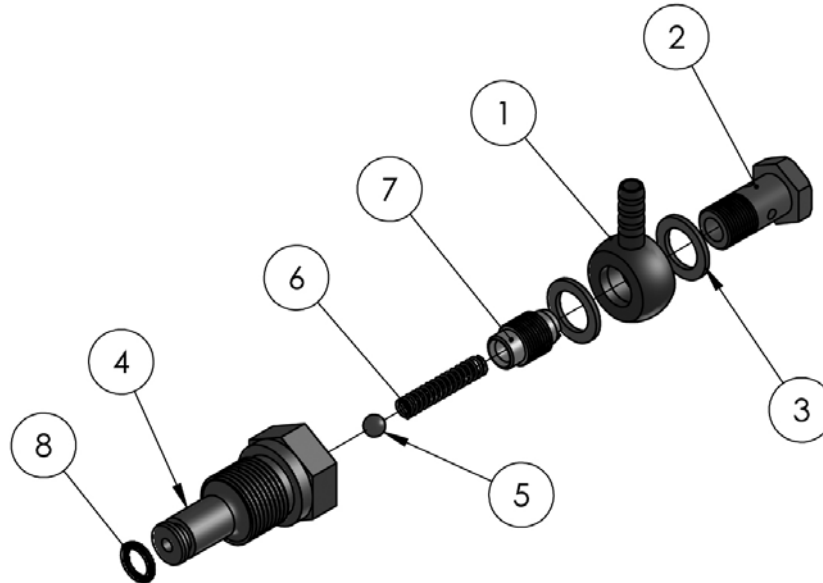
*each part number links to web site part

ITEM NO.	PART NUMBER	DESCRIPTION	QTY.
1	67279	CYLINDER COMPLETE	1
2	108317	PRESSURE VALVE COMPLETE	3
3	91976	PLUG SCREW	1
4	67290	ADAPTER	1
5	108328	PLUG SCREW	1
6	67282	WASHER	1
7	22081	LUBE PUMP LEVER	1
8	108315	LUBE PUMP BODY	1
9	22082	PUMP LEVER PIN	1
10	90937	M8 x 35 DIN 912 8.8	4
11	92031	SEALING RING A20 X 24	1
12	67284	PISTON COMPLETE	1
13	190479	PRESSURE SPRING 7.3 X 29.4 X 1.2	1
14	22090	SLEEVE	1
15	22089	PRESSURE SPRING 10 X 43 X 2	1
16	94315	DOWEL PIN 28 X 80 DIN 7346	2
17	20189	PUMP STUD M16	2
18	94722	M16 WASHER NUT	2
19	108316	PLUG SCREW	1
20	97855	O RING 8 X 2	1

**Cylinder
Complete**


*each part number links to web site part

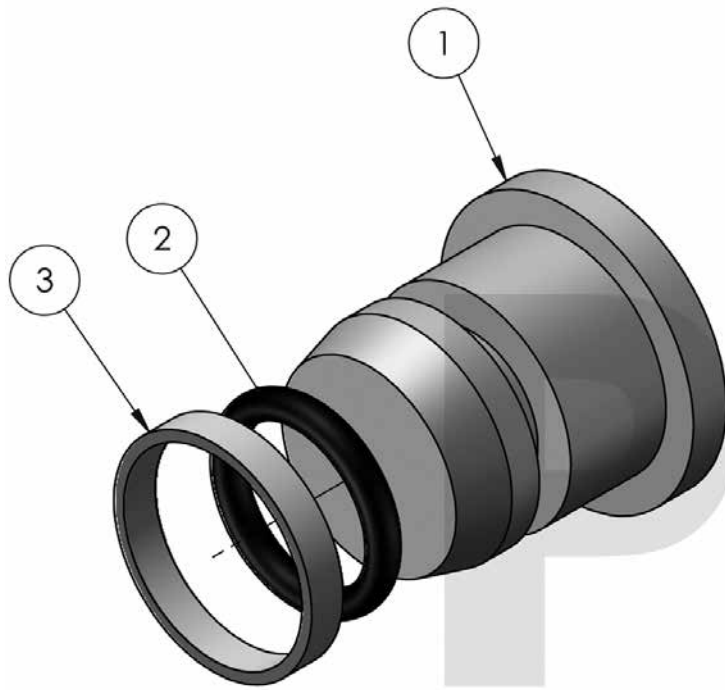
ITEM NO.	PART NUMBER	DESCRIPTION	QTY.
1	205020	O RING 24 X 3	1
2	91357	O RING 26 X 3	1
3	92952	O RING 30 X 3	1
4	67283	RING	1
5	97325	PRESSURE SPRING 22 X 52 X 2, 8	1

**Pressure Valve
Complete**


*each part number links to web site part

ITEM NO.	PART NUMBER	DESCRIPTION	QTY.
1	97949	RING NIPPLE	1
2	97948	HOLLOW SCREW A6 DIN 7623-6.8	1
3	91417	SEALING RING A12 X 15.5 DIN 7603-CU	2
4	108319	ADAPTER	1
5	90307	BALL 6MM DIN 5401	1
6	190005	PRESSURE SPRING 5 X 36 X 0.8	1
7	104679	PLUG SCREW	1
8	97855	8 X 2 O-RING	1

**SOLD
TOGETHER**

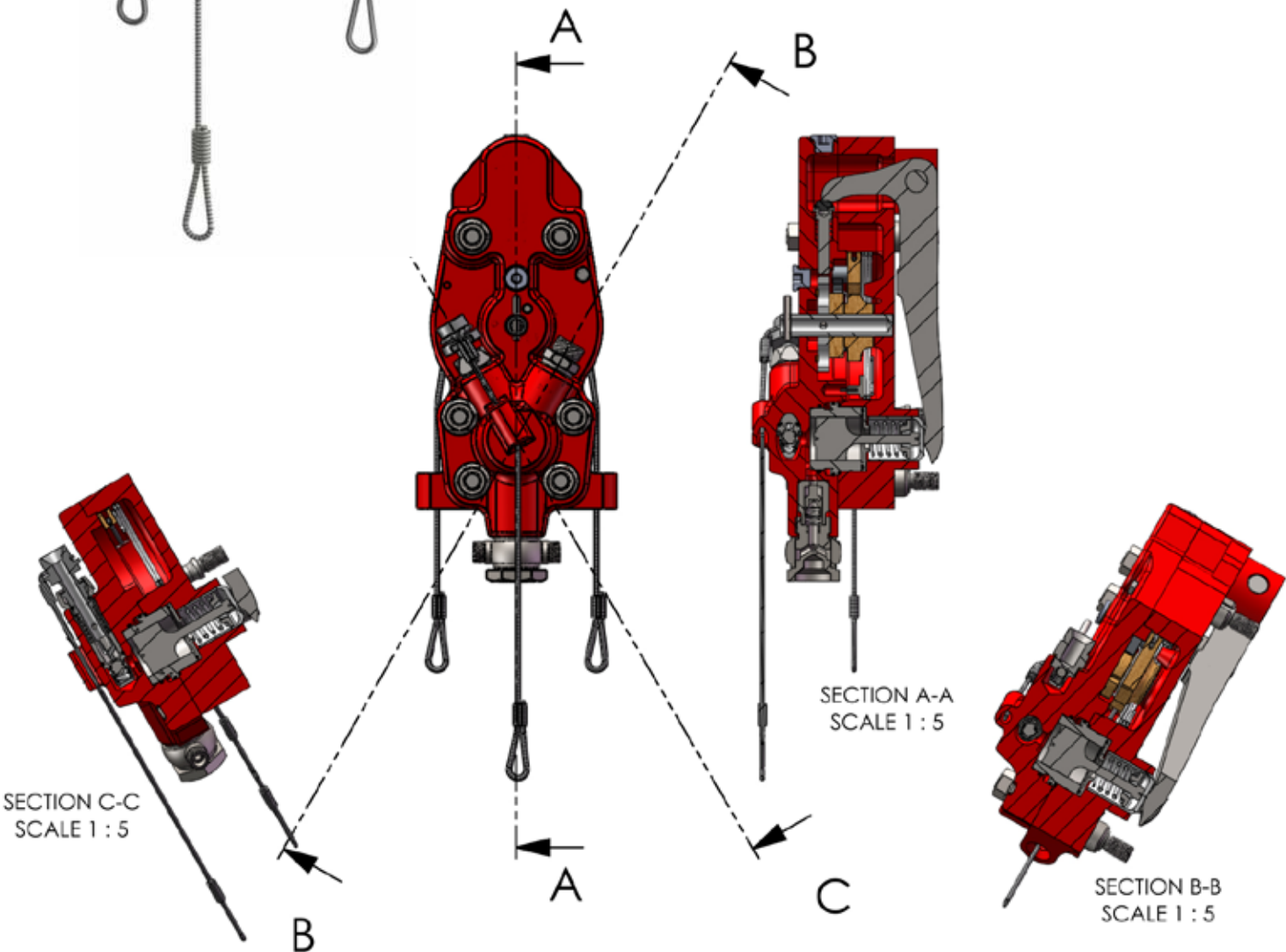
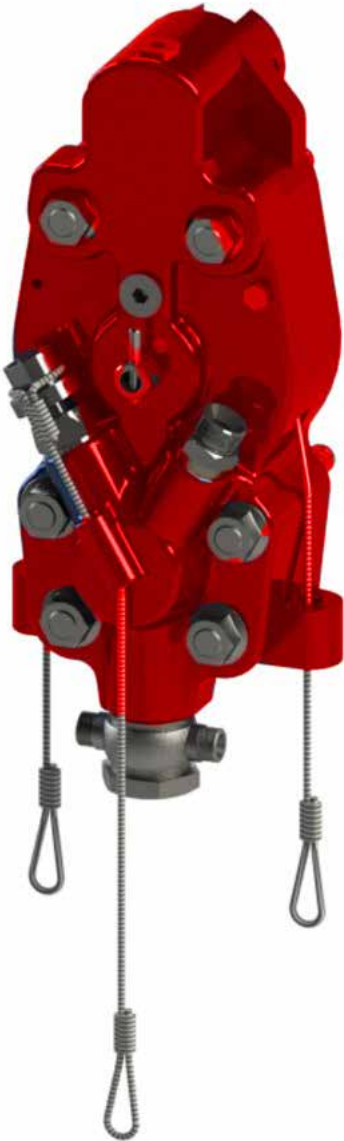
**Piston
Complete**

*each part number links to web site part

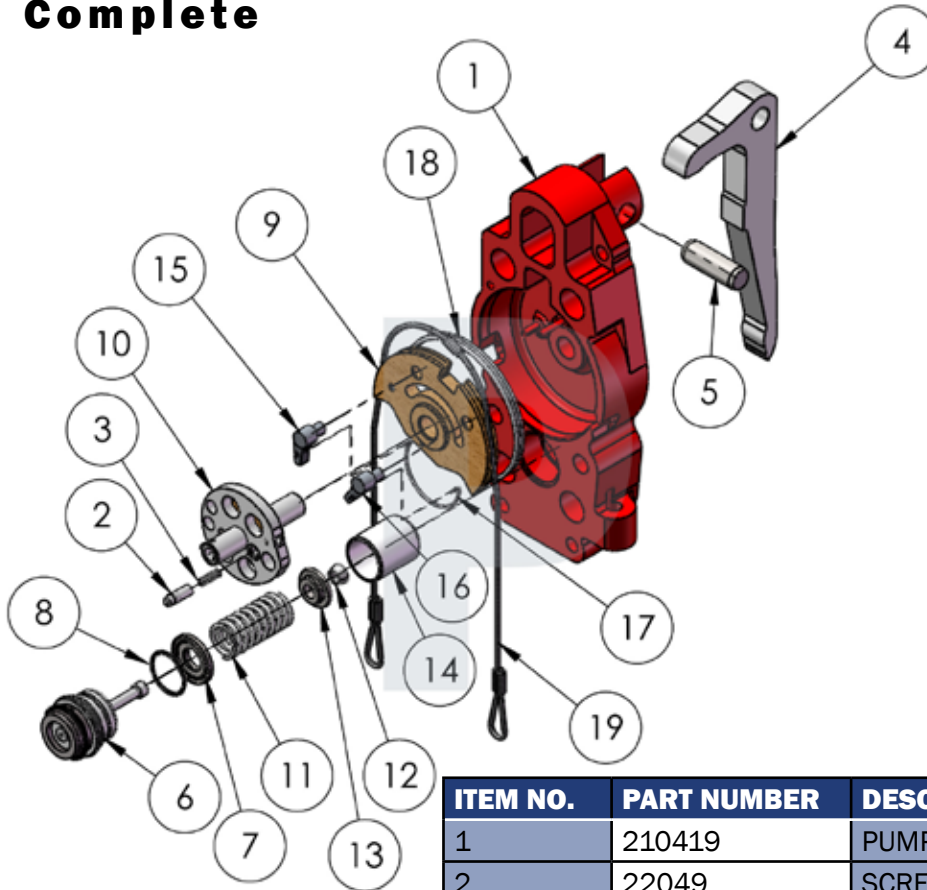
SOLD AS A COMPLETE

ITEM NO.	PART NUMBER	DESCRIPTION	QTY.
1	67285	PISTON	1
2	97326	O RING	1
3	97326	SLIP RING	1

Manual Delivery Fuel Pump

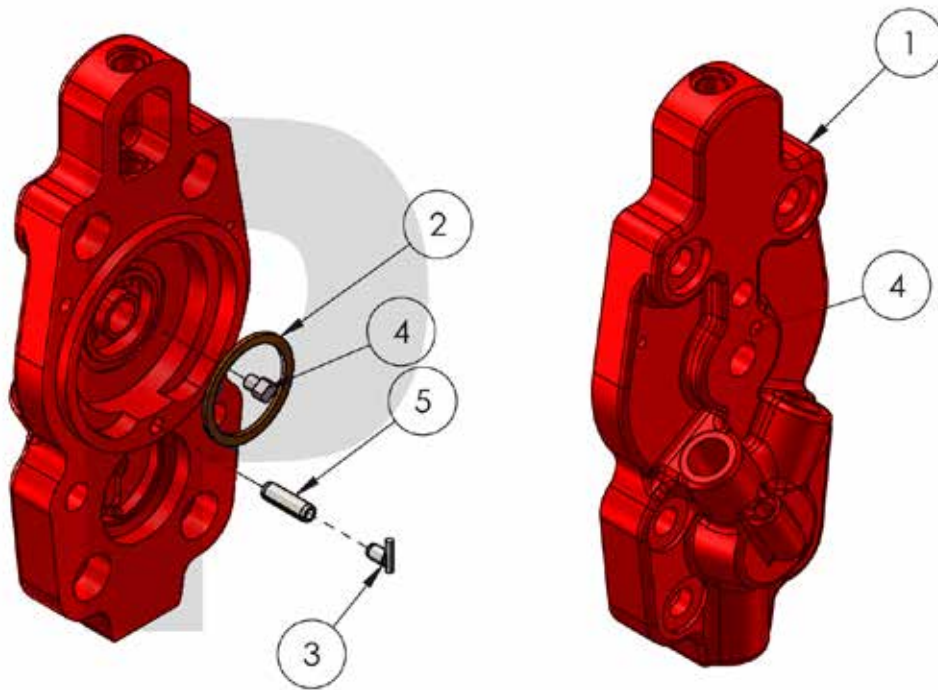


Manual Variable Delivery Fuel Pump Complete



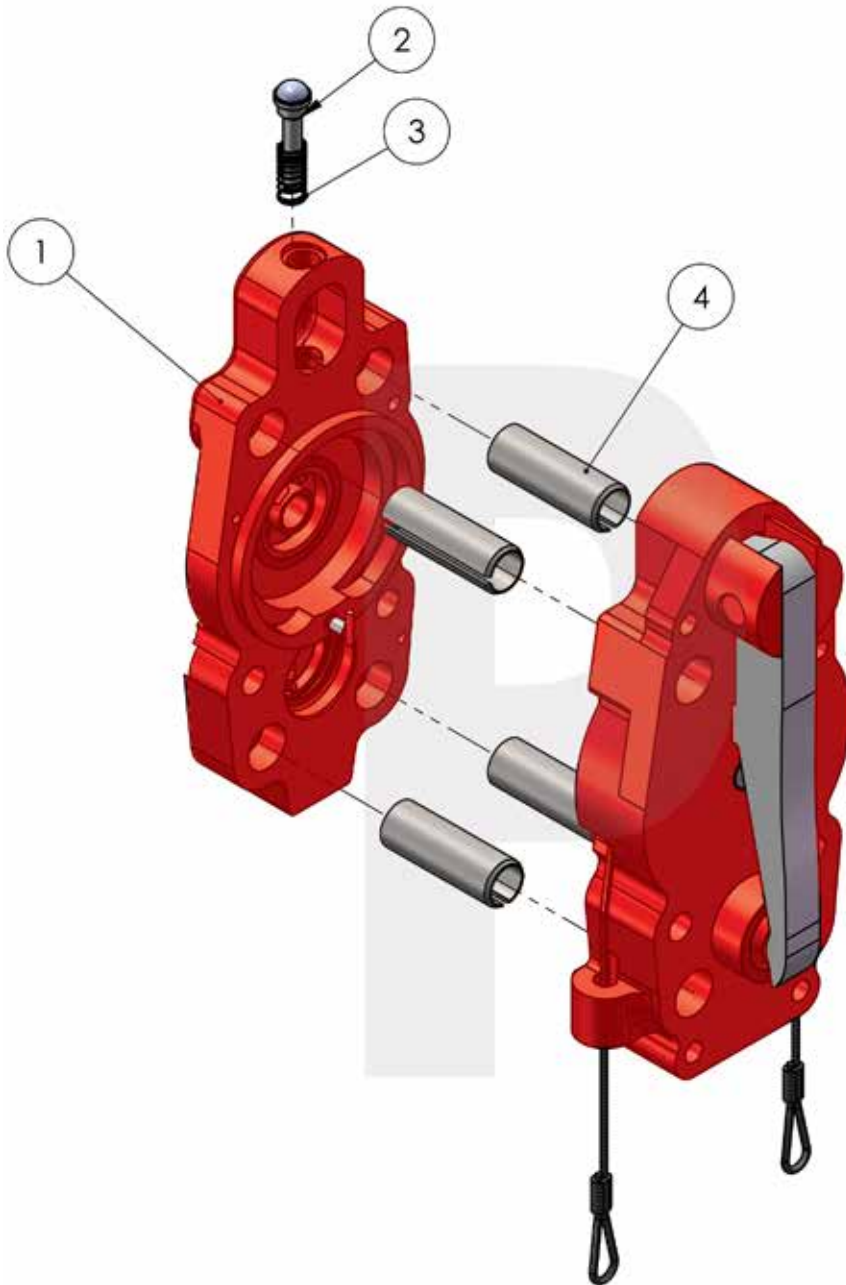
*each part number links to web site part

ITEM NO.	PART NUMBER	DESCRIPTION	QTY.
1	210419	PUMP BODY	1
2	22049	SCREEN PIN	1
3	22044	PRESSURE SPRING 5.5 X 20 X 1.2	1
4	210409	PUMP LEVER	1
5	22043	PUMP LEVER PIN	1
6	210415	D280 PUMP ELEMENT COMPLETE 41MM	1
7	210411	HOLDER RING	1
8	210410	ROUND SEALING RING 48.7 X 2.65	1
9	22040	ROPE DISC	1
10	43308	SWITCH SHAFT	1
11	22060	PRESSURE SPRING 28 X 67.2 X 3.5	1
12	22059	CONICAL RING 2 PCS	1
13	22058	SPRING RETAINING COLLAR	1
14	43287	GUIDE SLEEVE	1
15	22051	CAM	1
16	22052	CAM	1
17	22245	SPRING	1
18	22062	SWIVEL SPRING	1
19	17546	REGULATION ROPE	1

**Manual Variable Delivery Fuel
Pump Cover Complete**


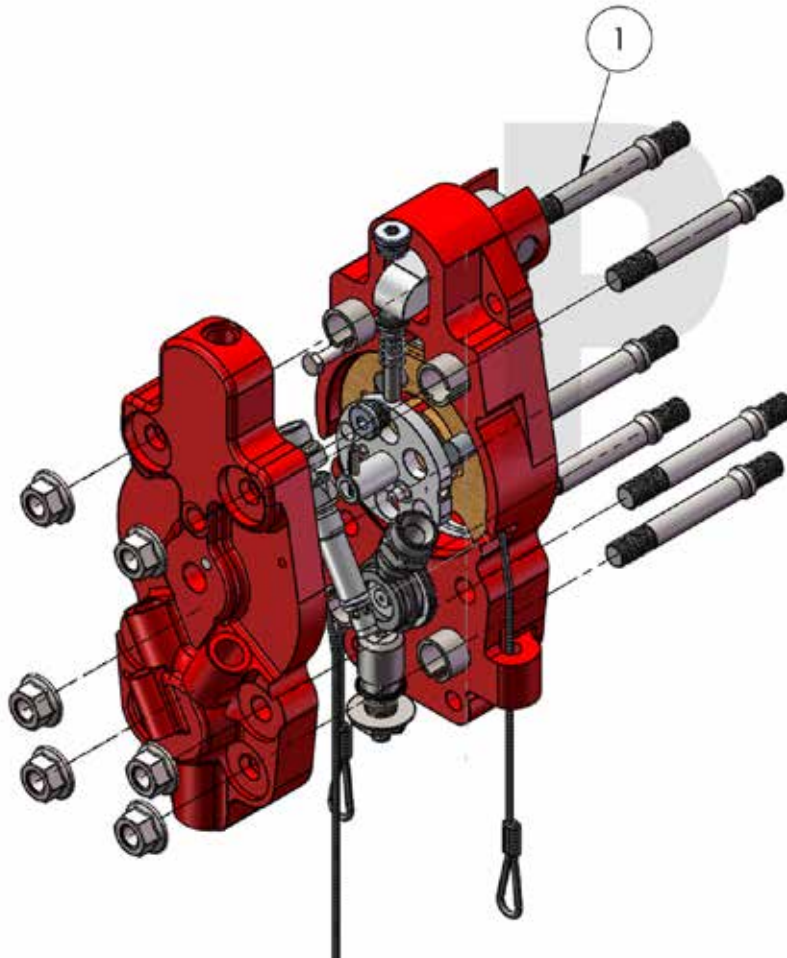
*each part number links to web site part

ITEM NO.	PART NUMBER	DESCRIPTION	QTY.
1	210420	PUMP COVER	1
2	22050	RING	1
3	22796	STOP	1
4	43307	STOP PIN	1
5	90231	10MM X 32 ROLL PIN	1

**Manual Variable Delivery Fuel Pump
Complete**


*each part number links to web site part

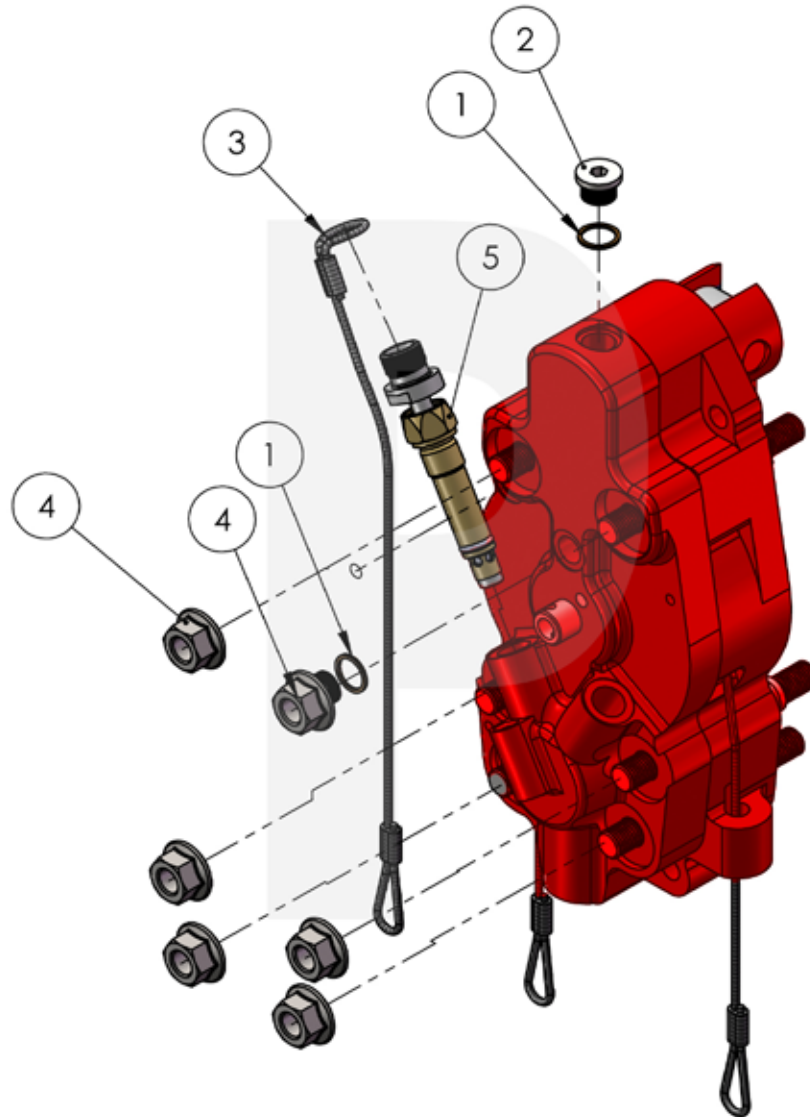
ITEM NO.	PART NUMBER	DESCRIPTION	QTY.
1	210420	PUMP COVER complete	1
2	62125	PRESSURE PIECE complete	1
3	22046	PRESSURE SPRING	1
4	94315	DOWEL PIN 28 X 80	4

**Manual Variable Delivery Fuel Pump
Complete**


*each part number links to web site part

ITEM NO.	PART NUMBER	DESCRIPTION	QTY.
1	20189	PUMP STUD M16	6

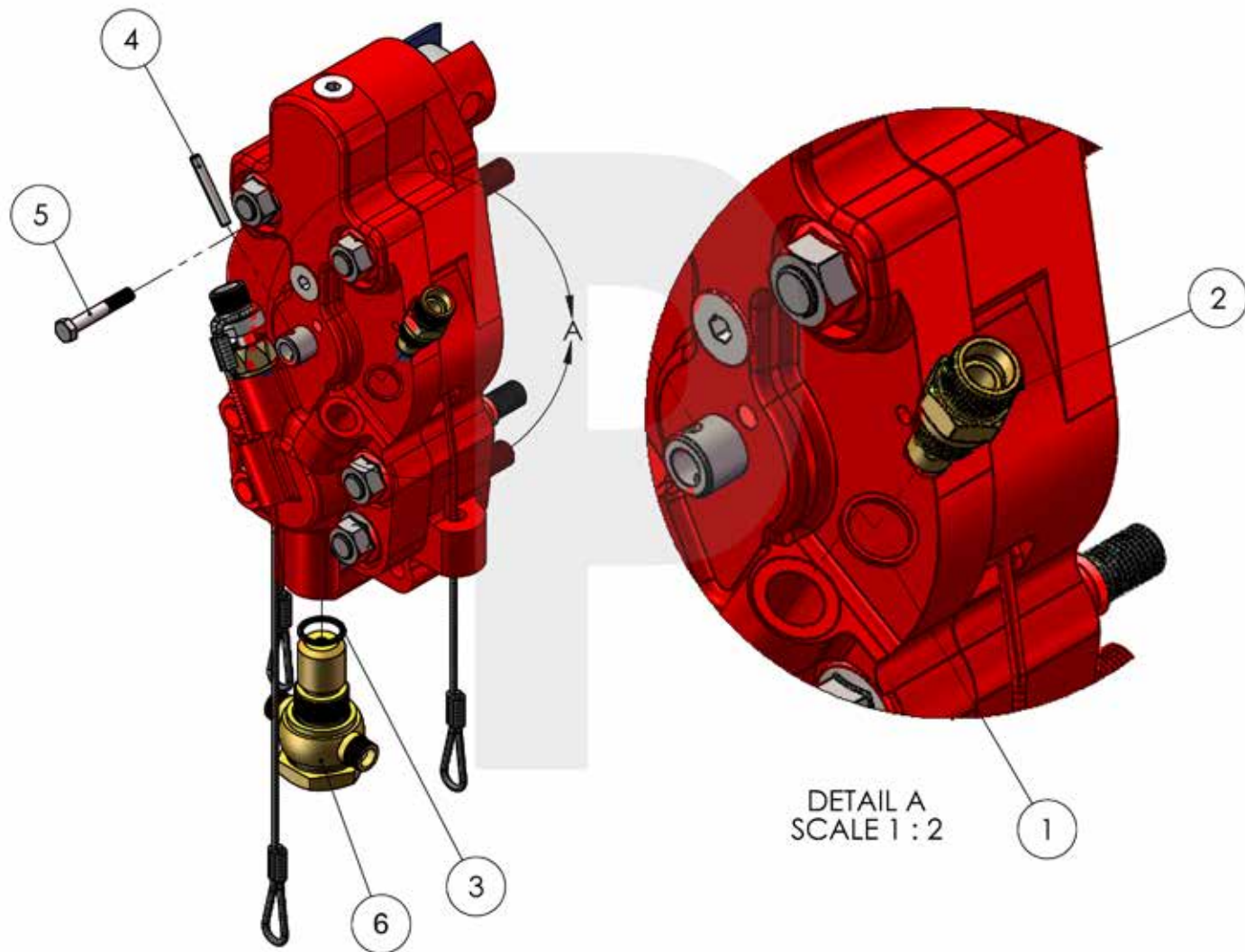
Manual Variable Delivery Fuel Pump Complete



*each part number links to web site part

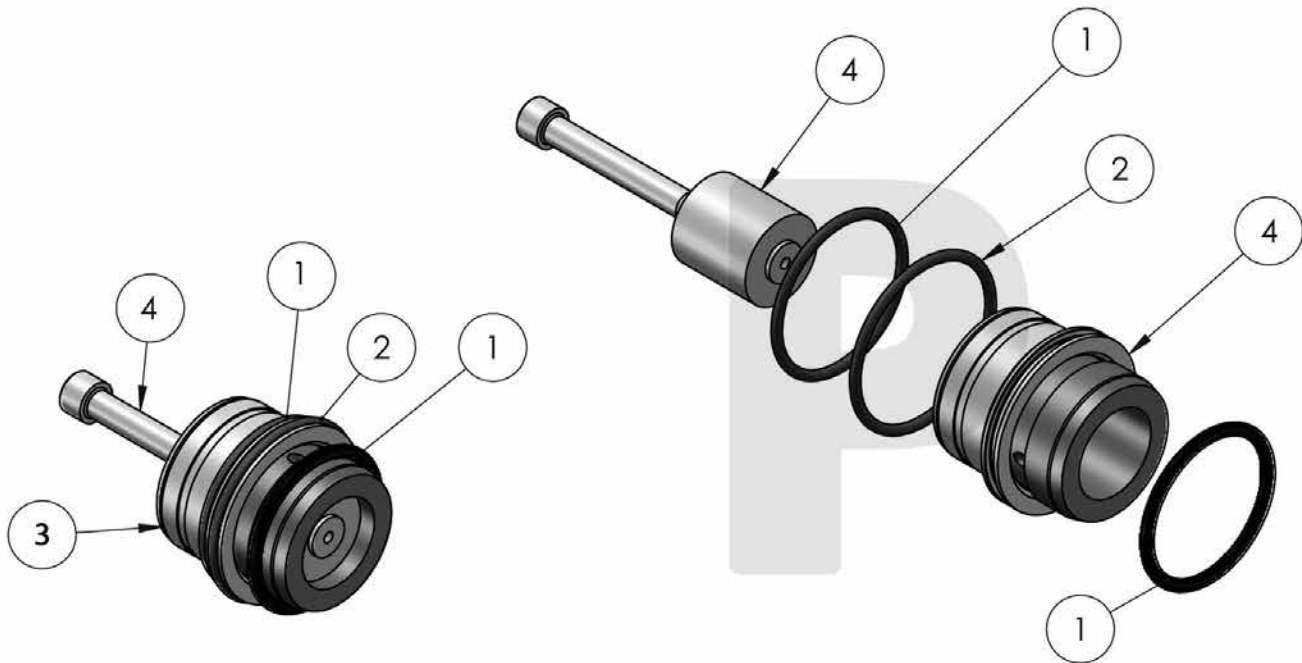
ITEM NO.	PART NUMBER	DESCRIPTION	QTY.
1	90002	SEALING RING A18 X 22	2
2	93055	PLUG SCREW M18 X 1.5	2
3	17546	REGULATING ROPE	1
4	94722	M16 WASHER NUT	6
5	210422	STOP VALVE COMPLETE	1

Manual Variable Delivery Fuel Pump Complete



*each part number links to web site part

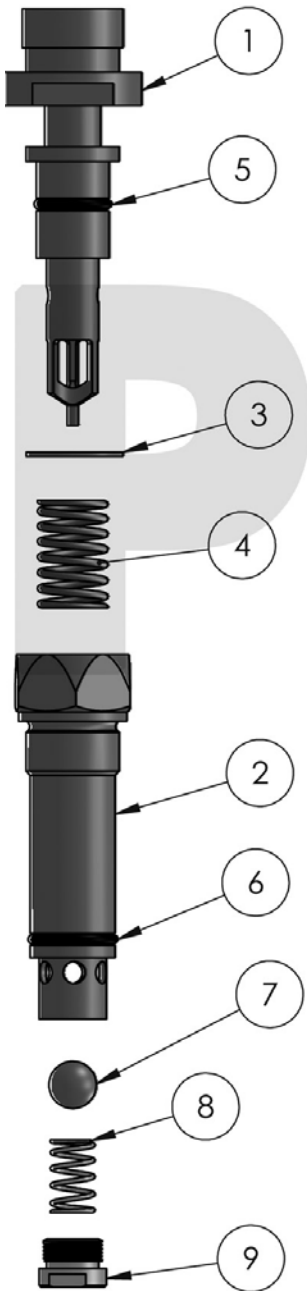
ITEM NO.	PART NUMBER	DESCRIPTION	QTY.
1	210412	SEALING RING A25 X 30	1
2	210421	SUCTION VALVE complete	1
3	91296	O-RING 22 X 3	1
4	90150	DOWEL PIN 6 X 40	1
5	93456	LOCKING SCREW M8 X 50	1
6	60827	CHECK NON-RETURN VAVLE COMPLETE	1

**41MM Pump Element
Complete**


**each part number links to web site part*

ITEM NO.	PART NUMBER	DESCRIPTION	QTY.
1	210416	ROUND SEALING RING 56 X 2.65	2
2	210417	ROUND SEALING RING 60 X 2.65	1
3 not sold seperately	210415	41MM ELEMENT BODY	1
4 not sold seperately	210415	41MM ELEMENT PLUNGER	1

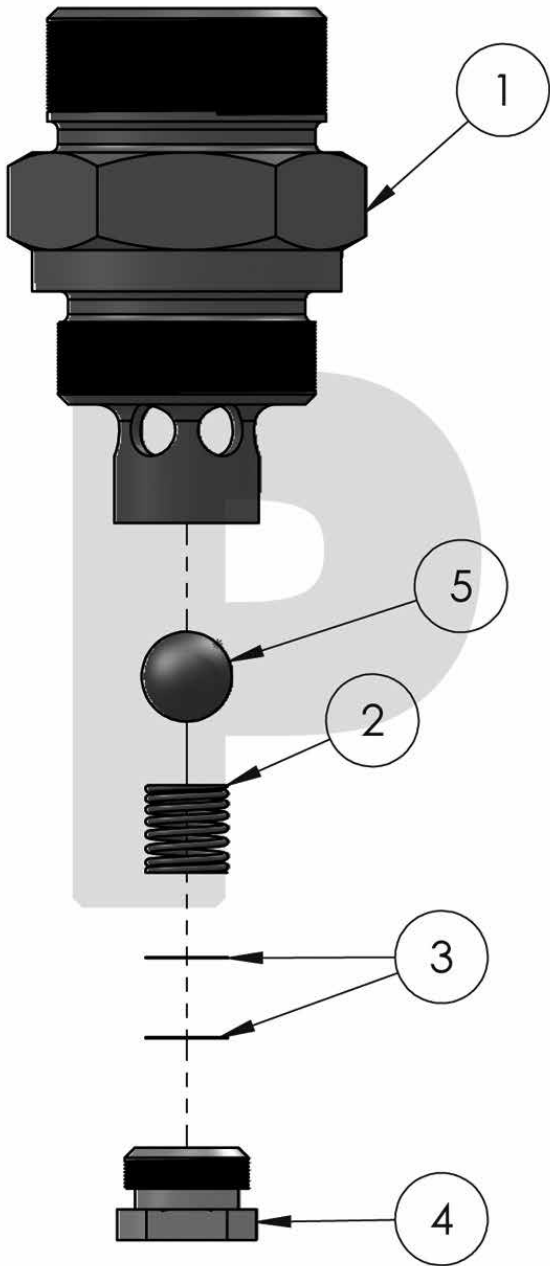
Stop Valve Complete



*each part number links to web site part

ITEM NO.	PART NUMBER	DESCRIPTION	QTY.
1	210423	VALVE PISTON	1
2	210429	VALVE SCREW	1
3	210430	25 X 1.2 CIRCLIP	1
4	210424	PRESSURE SPRING 18.8 X 2 X 30	1
5	210428	O RING 15 X 2.65	1
6	210425	O RING 18 X 2.65	1
7	210431	12.7MM BALL BEARING	1
8	210427	PRESSURE SPRING 12 X 1.2 X19.5	1
9	210426	THREADED PLUG	1

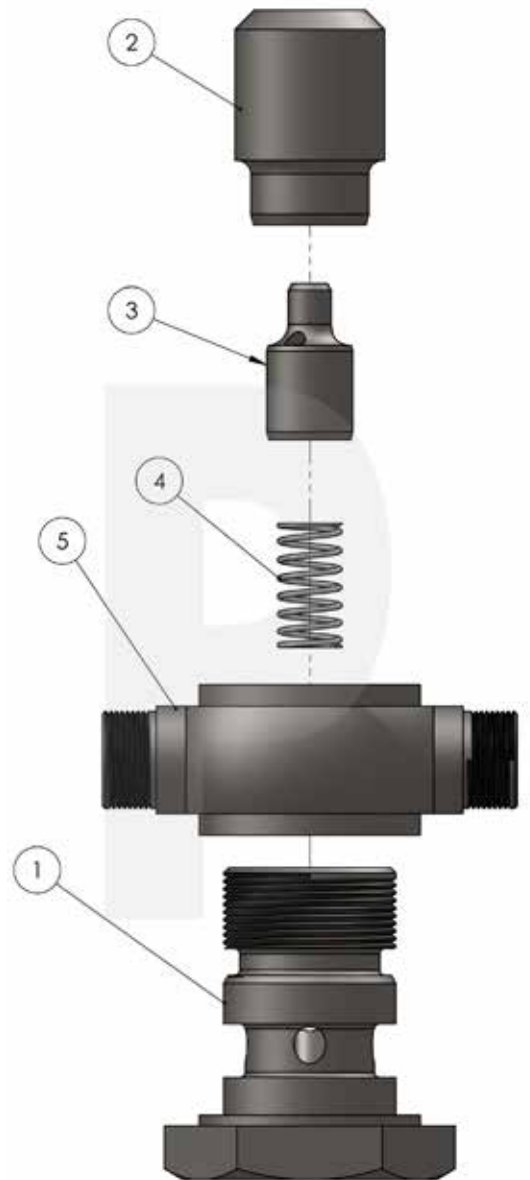
Suction Valve Complete



**each part number links to web site part*

ITEM NO.	PART NUMBER	DESCRIPTION	QTY.
1	210432	SLEEVE	1
2	22022	PRESSURE SPRING 7.3 X 8 X 0.7	1
3	22023	WASHER	2
4	41862	THREADED PLUG	1
5	98511	BALL 8.731MM	1

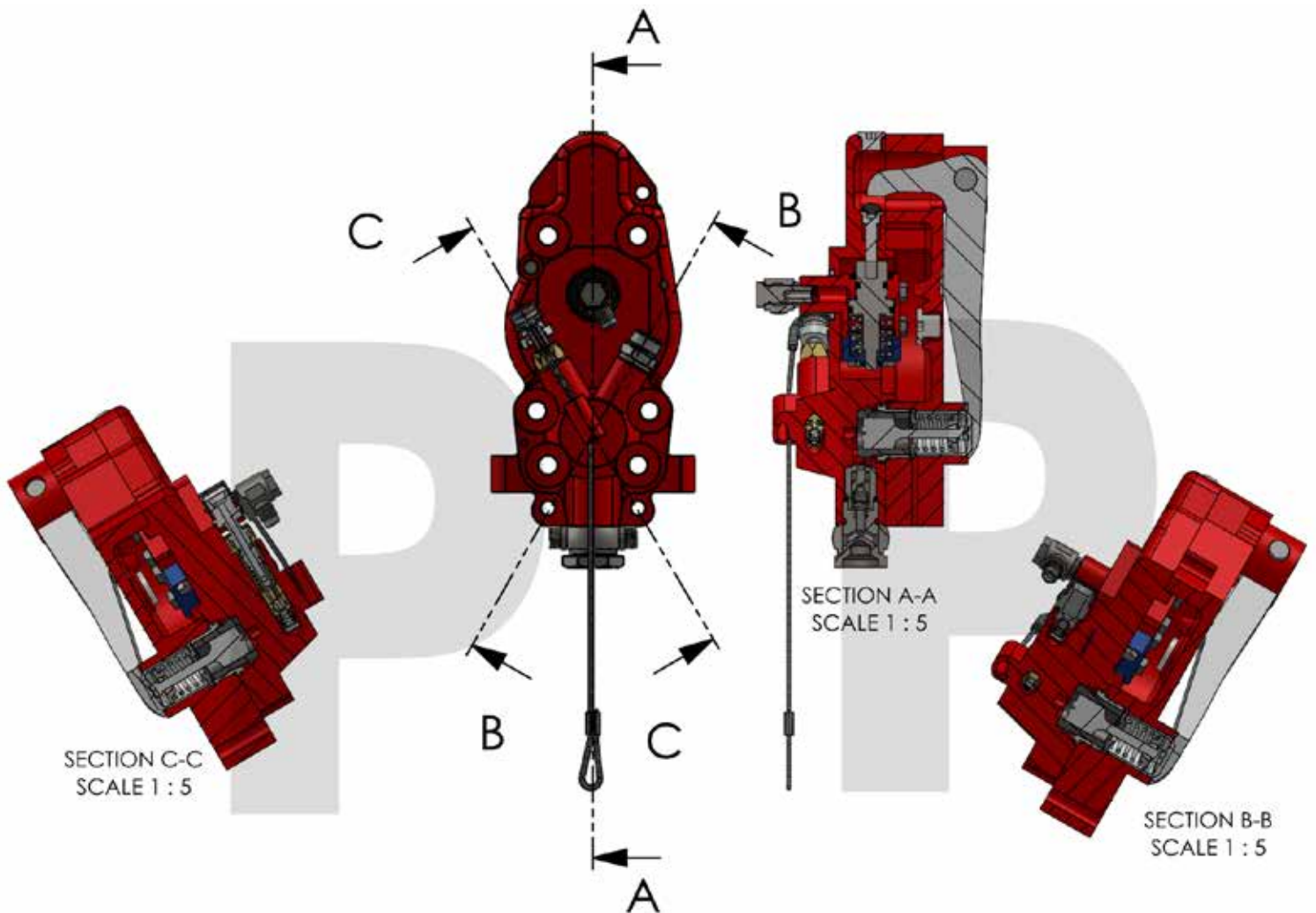
Check Non-Return Valve Complete



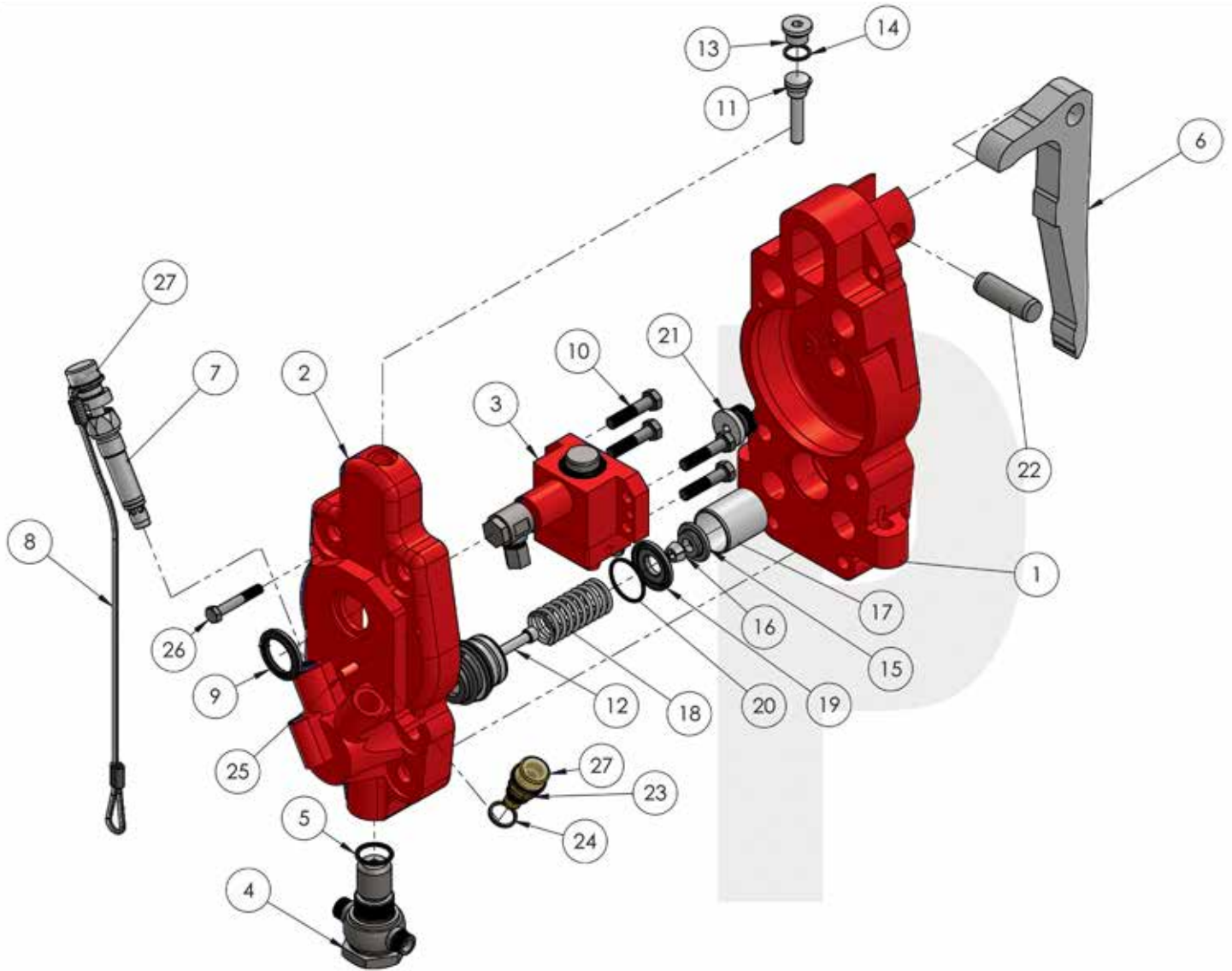
*each part number links to web site part

ITEM NO.	PART NUMBER	DESCRIPTION	QTY.
1	60194	HOLLOW SCREW	1
2	43297	HOUSING	1
3	43299	VALVE PISTION	1
4	22034	PRESSURE SPRING	1
5	60195	RING NIPPLE	1

Hydraulic Delivery Fuel Pump



**Hydraulic Variable Delivery Fuel Pump
Complete**



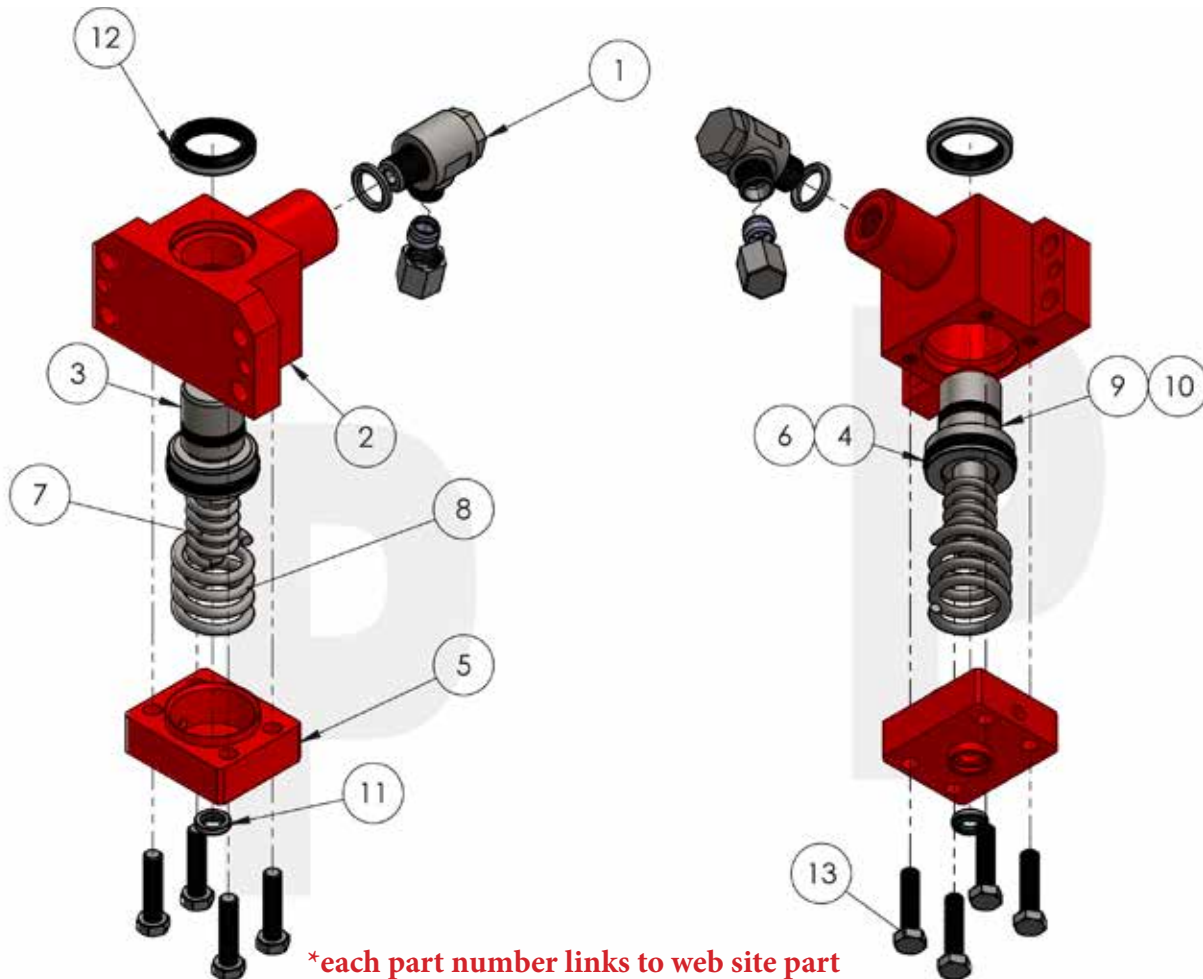
Hydraulic Variable Fuel Pump Continued.....

Hydraulic Variable Delivery Fuel Pump Complete

*each part number links to web site part

ITEM NO.	PART NUMBER	DESCRIPTION	QTY.
1	212401	PUMP BODY	1
2	212404	PUMP COVER	1
3	122446-C	FUEL PUMP CONTROL COMPLETE	1
4	60827	CHECK NON RETURN VALVE COMPLETE	1
5	91296	O RING 22 X 3	1
6	210409	PUMP LEVER	1
7	210422	STOP VALVE COMPLETE	1
8	17546	REGULATING ROPE	1
9	205507	DUST RING	1
10	93414	10-1.5 X 30 HEX HEAD CAPSCREW 8.8	4
11	205501	PRESSURE PIECE	1
12	210415	D280 PUMP ELEMENT 41MM	1
13	93055	PLUG SCREW 18 X 1.5	1
14	90002	SEALING RING 18 X 22	1
15	22058	SPRING RETAINING COLLAR	1
16	22059	CONICAL RING 2 PCS	1
17	43287	GUIDE SLEEVE	1
18	22060	PRESSURE SPRING 28 X 67.2 X 3.5	1
19	210411	HOLDER RING	1
20	210410	ROUND SEALING RING 49 X 2.5	1
21	91885	PLUG SCREW M26 X 1.5	1
22	22043	PIN	1
23	210421	SUCTION VALVE	1
24	92031	SEALING RING A20 X 24	1
25	205506	DOWEL PIN 8 X 20	1
26	93456	LOCKING SCREW M8 X 50	1
27	210413	PROTECTION CAP	2

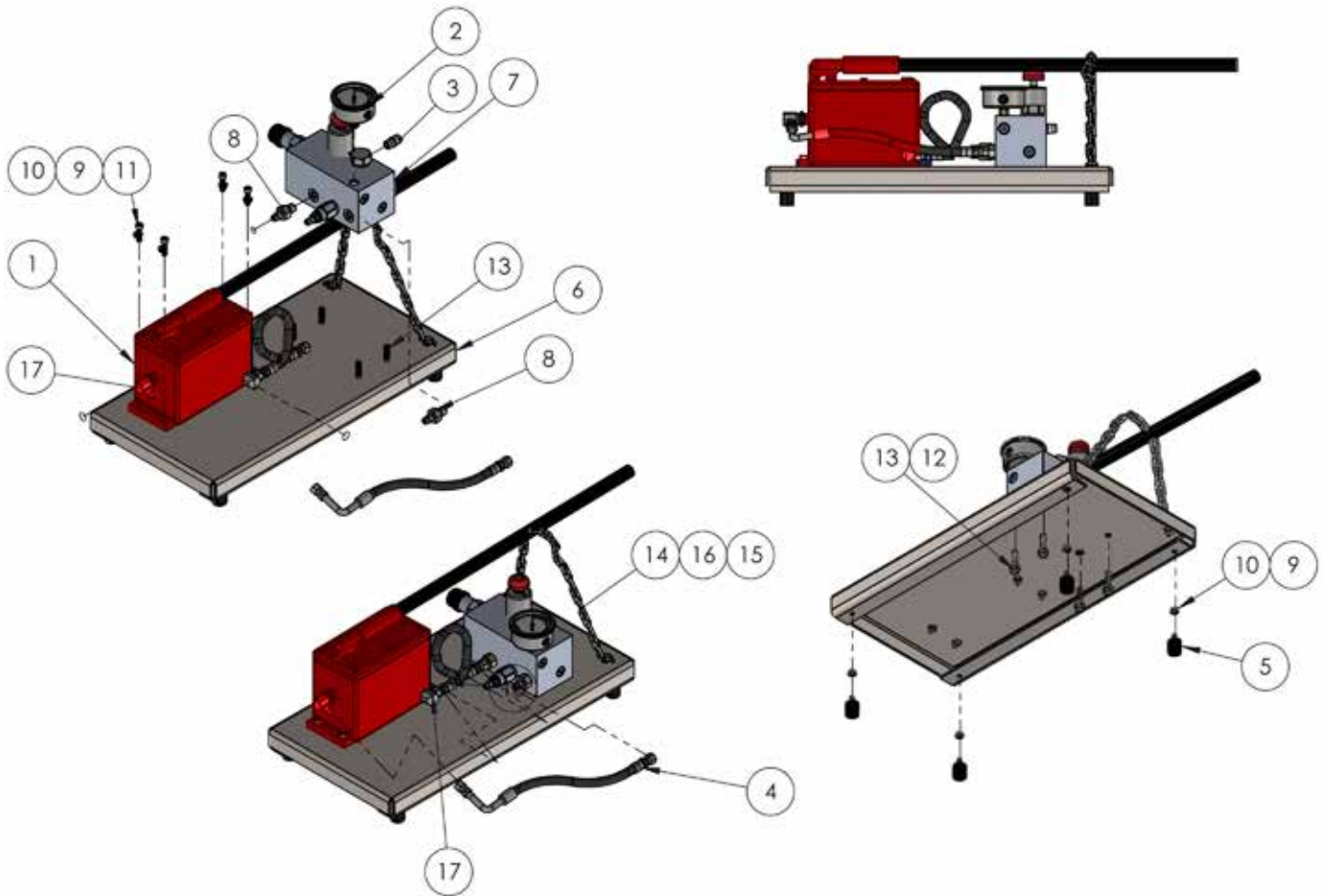
Fuel Pump Control Complete



*each part number links to web site part

ITEM NO.	PART NUMBER	DESCRIPTION	QTY.
1	205509	METRIC BITE TYPE FITTING M16 X 1.5	1
2	126538-C	CYLINDER	1
3	126539	PISTON	1
4	193444	O-RING 32.93 X 3.53	1
5	126537-C	COVER	1
6	193446	BACK UP RING	1
7	193451	PRESSURE SPRING	1
8	193450	PRESSURE SPRING	1
9	193445	O-RING 20.22 X 3.53	1
10	193447	BACK UP RING	1
11	193448	ROD WIPER	1
12	193449	ROD WIPER	1
13	93414	10 X 30 HEX HEAD CAPSCREW	4

Hydraulic Hand Pump Assembly



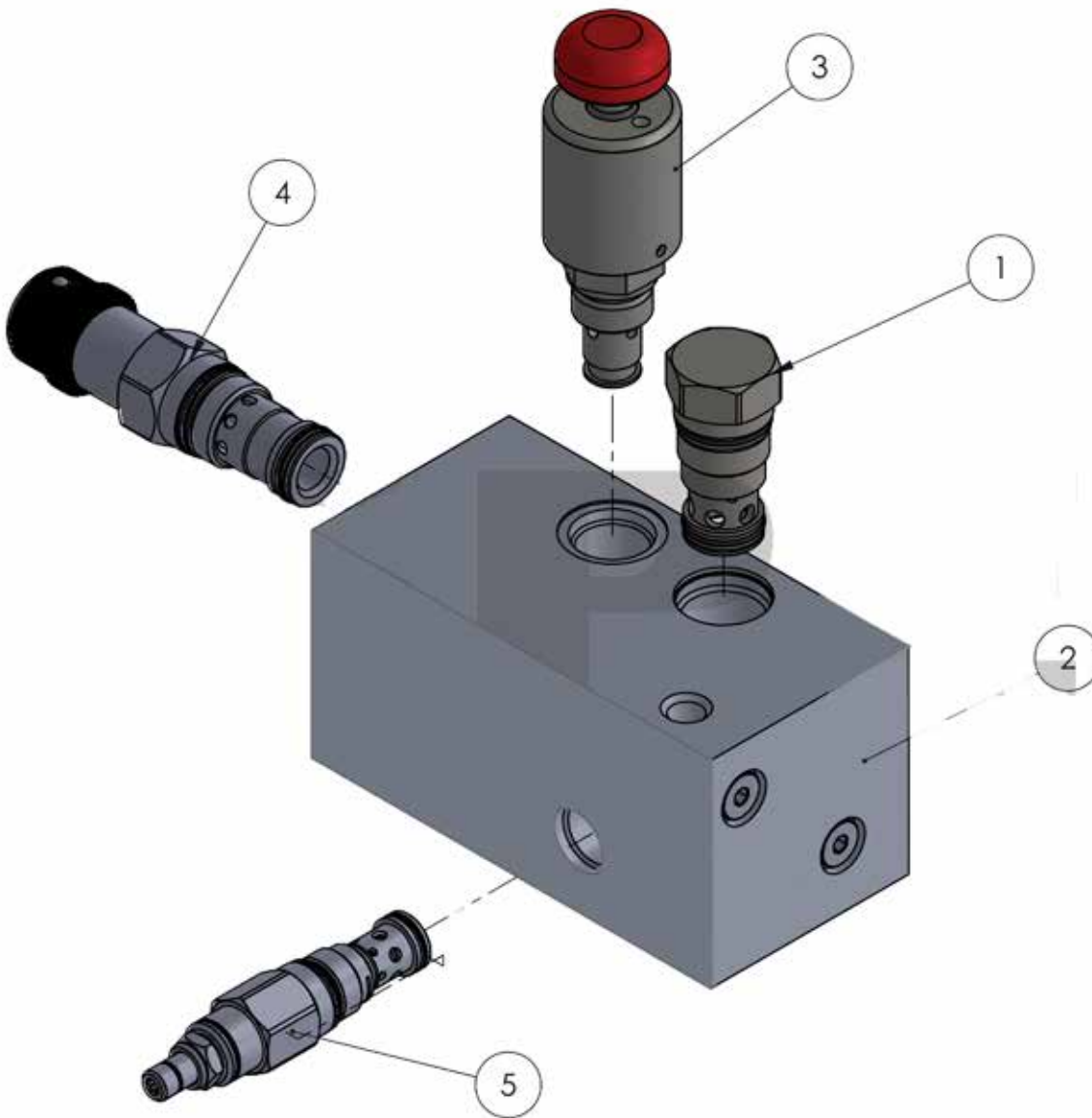
Continued...

Hydraulic Hand Pump Assembly

Hydraulic Hand Pump Continued....

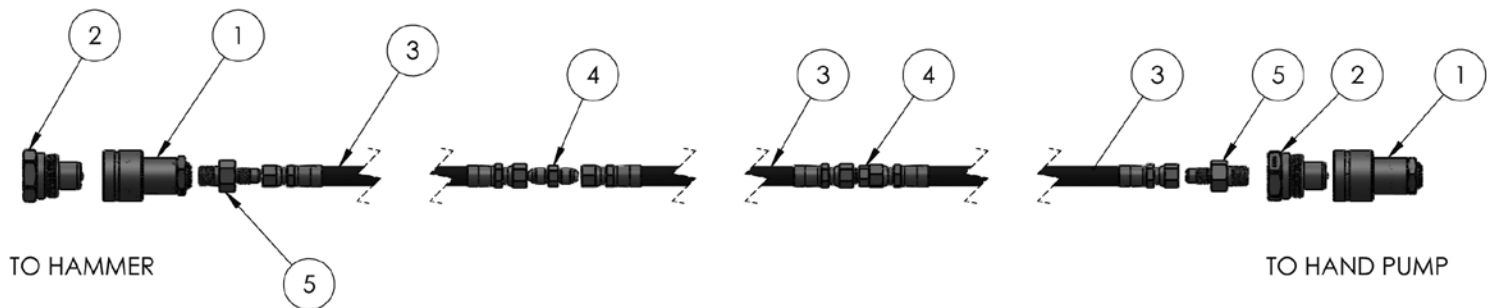
*each part number links to web site part

ITEM NO.	PART NUMBER	DESCRIPTION	QTY.
1	55107	P-51 ENERPAC PUMP	1
2	55120	G25-SL600-CB SS PRESSURE GAUGE	1
3	55121	4SAE MALE TO 1/4 NPT MALE ADAPTER	1
4	55104	1/4 JIC FEMALE SWIVEL FITTING TO 1/4 JIC FEMALE SWIV- EL 1/4 PRESSURE HOSE	1
5	55122	RUBBER FOOT 1" X 1"-1/4-20 X 3/4 BOLT	4
6	55105	PLATE	1
7	55103	MANIFOLD COMPLETE	1
8	55123	4 SAE MALE TO 1/4 JIC MALE STRAIGHT ADAPTER	2
9	55124	M6 SPLIT LOCKWASHER	14
10	55125	M6-1.0 JAM NUT	10
11	55126	6-1.0 X 25 SOCKET HEAD CAPSCREW	4
12	55127	8MM SPLIT LOCKWASHERS	4
13	55128	8-1.25 X 30 HEX HEAD CAPSCREW	4
14	55108	CHAIN LINK #2/0 X 16"	1
15	55129	6MM FLAT WASHER	2
16	55130	6-1.0 X 20 HEX HEAD CAPSCREW	2
17	55131	3/8 NPT MALE TO 1/4 JIC MALE 90 ADAPTER	2
18	55109	1/4 JIC FEMALE SWIVEL FITTING TO 1/4 JIC FEMALE SWIV- EL HOSE TO TANK	1

**Manifold
Complete**


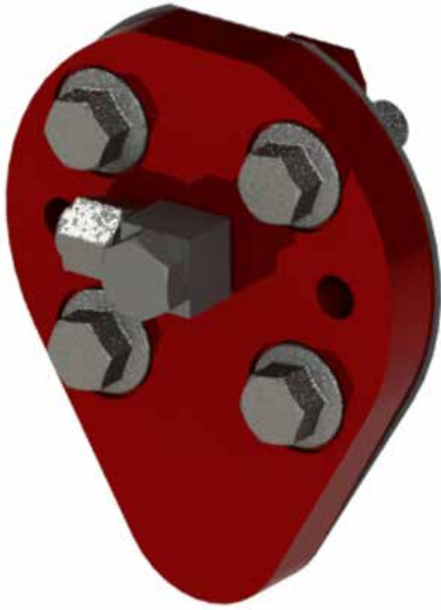
**each part number links to web site part*

ITEM NO.	PART NUMBER	DESCRIPTION	QTY.
1	55110	CXFA-XCN DIRECTION CHECK	1
2	55106	MANIFOLD	1
3	55111	DOERING DUMP VALVE	1
4	55112	NEEDLE VALVE	1
5	55113	RELIEF VALVE	1

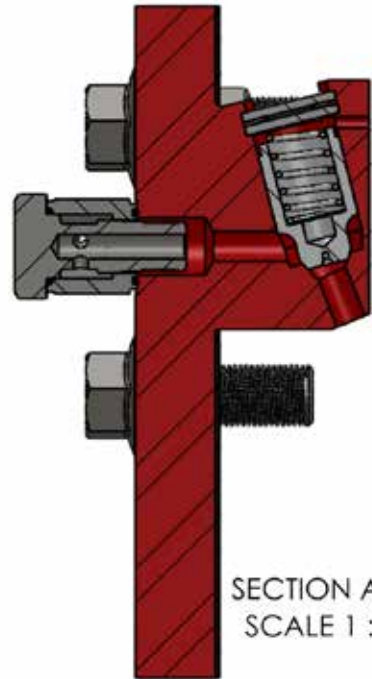
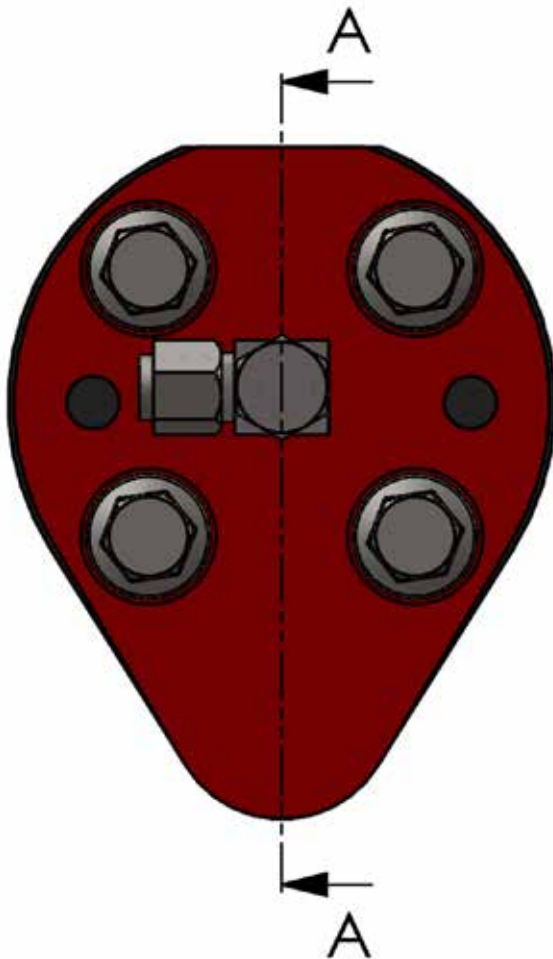
**HAND PUMP 1/4" HOSE ASSEMBLY
150FT IN 50FT SECTIONS**


**each part number links to web site part*

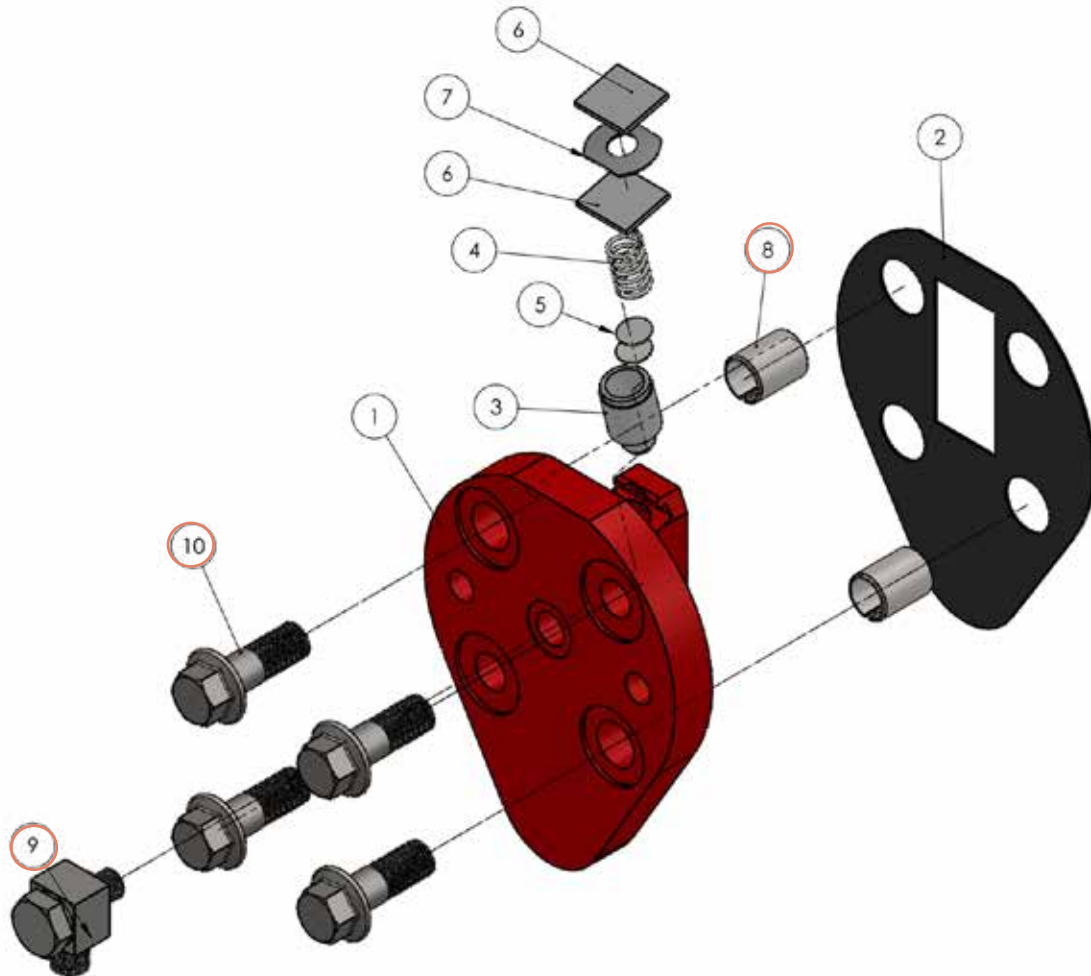
ITEM NO.	PART NUMBER	DESCRIPTION	QTY.
1	55133	1/4" COUPLER NPFT SCREW TYPE QUICK DISCONNECT FEMALE	2
2	55134	1/4" 3000 SERIES NIPPLE NPFT SCREW TYPE QUICK DISCONNECT MALE	2
3	8000440	4 FEMALE JIC TO 4 FEMALE JIC 1/4 HOSE 50FT	3
4	55137	4 JIC MALE TO 4 JIC MALE STRAIGHT ADAPTER	2
5	8001067	1/4 NPT MALE TO 1/4 JIC MALE STRAIGHT ADAPTER	2



Fuel Injection



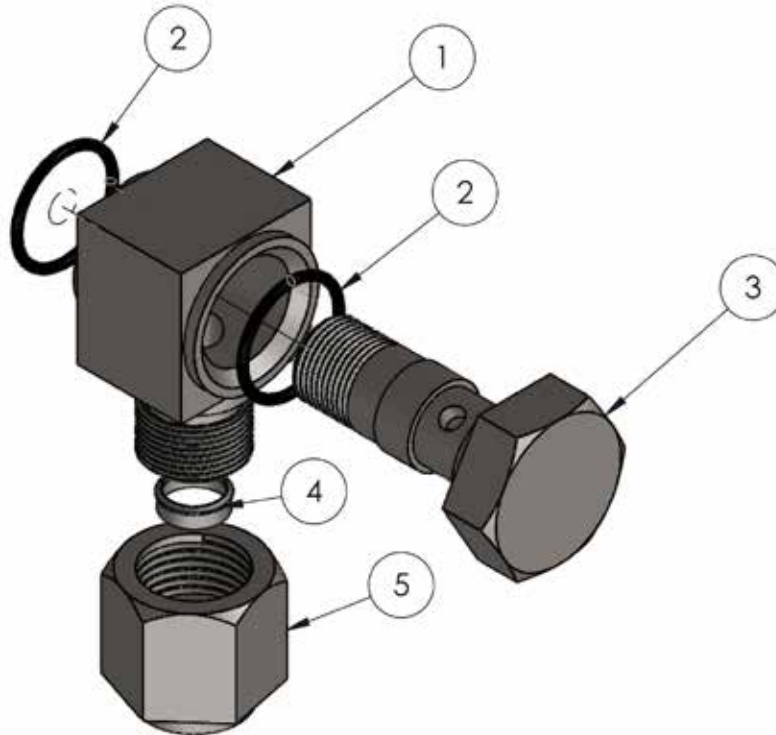
SECTION A-A
SCALE 1 : 2

**Fuel Injection Device
Complete**


*each part number links to web site part

ITEM NO.	PART NUMBER	DESCRIPTION	QTY.
1	230405	INJECTION PLATE	1
2	45647	GASKET	1
3	63843	VALVE PISTON	1
4	97569	PRESSURE SPRING	1
5	97573	ADJUSTING WASHER	1
6	64460	LOCKING PLATE	2
7	64461	SPRING WASHER	1
8 sold separately	95633	DOWEL PIN 21 X 28 DIN 7346	2
9 sold separately	97038	THREADED PIPE JOINT (UNION)	1
10 sold separately	95639	LOCKING SCREW M16 X 45	4

Threaded Pipe Joint Complete



NOTE: ITEM SHOULD BE REPLACED WITH
NEW PIPE JOINT COMPLETE WHEN
REMOVED FOR SERVICING

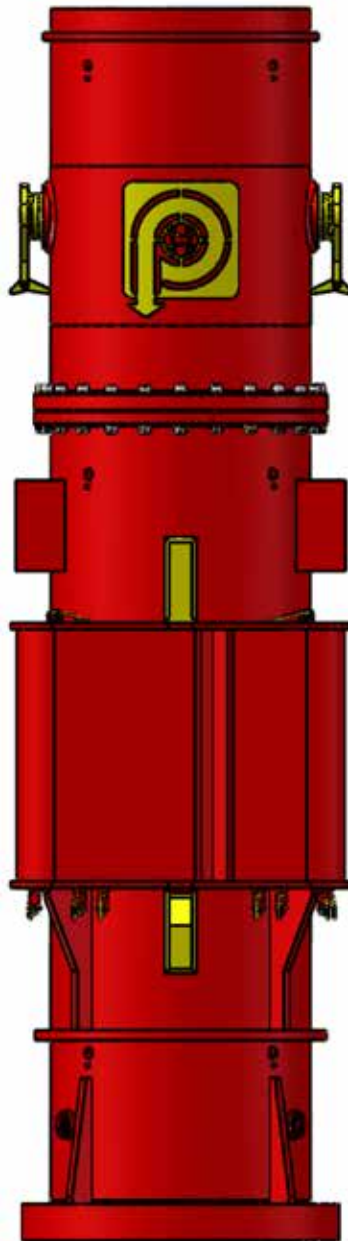
#1 SOLD COMPLETE

**each part number links to web site part*

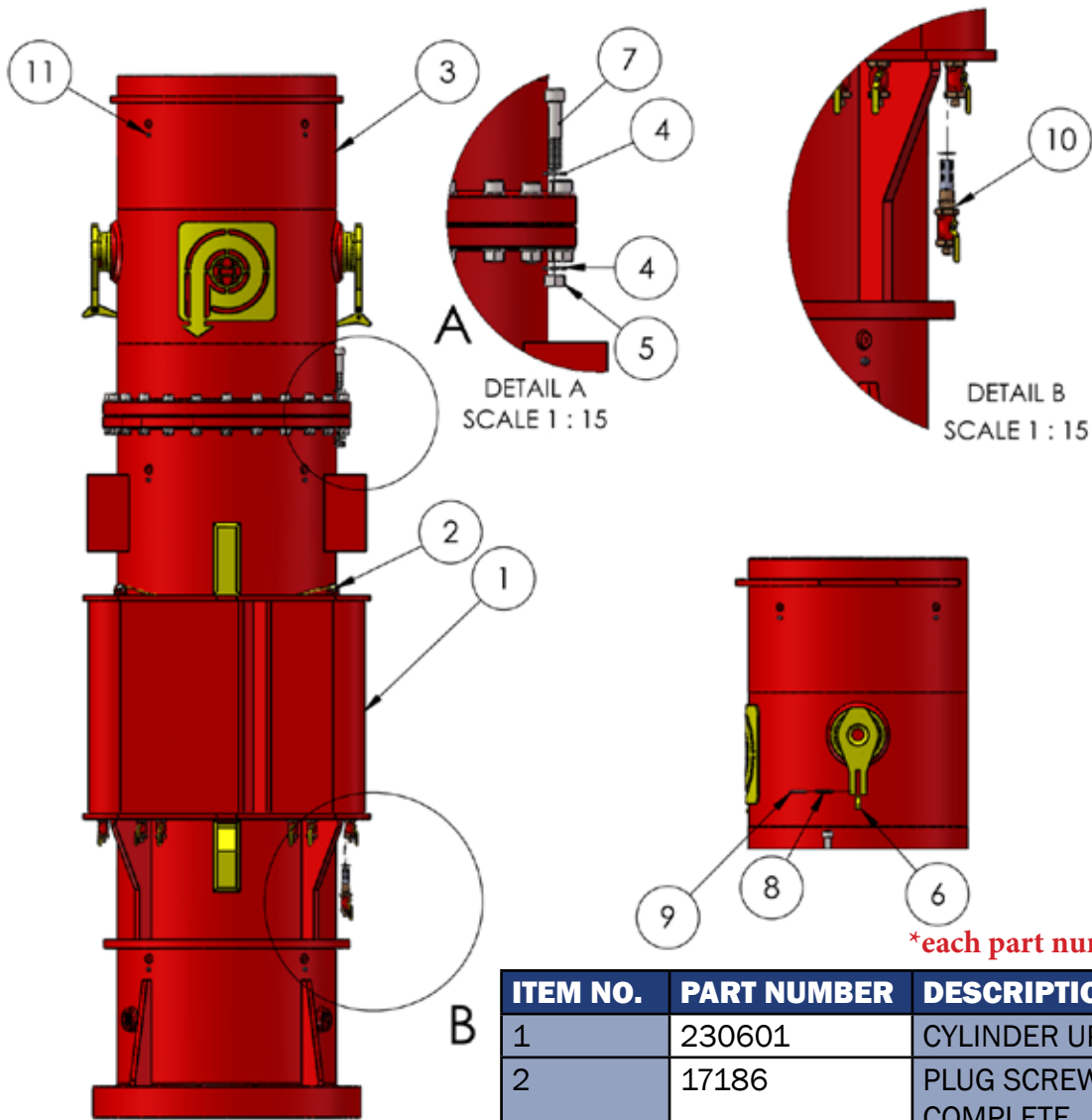
ITEM NO.	PART NUMBER	DESCRIPTION	QTY.
1	97038	THREADED PIPE JOINT	1
2	97258	O RING 17 X 1.5	2
3	210405	HOLLOW SCREW	1
4	90127	OLIVE	1
5	204012	UNION NUT M16X1.5	1

**SOLD
TOGETHER**

Upper Cylinder

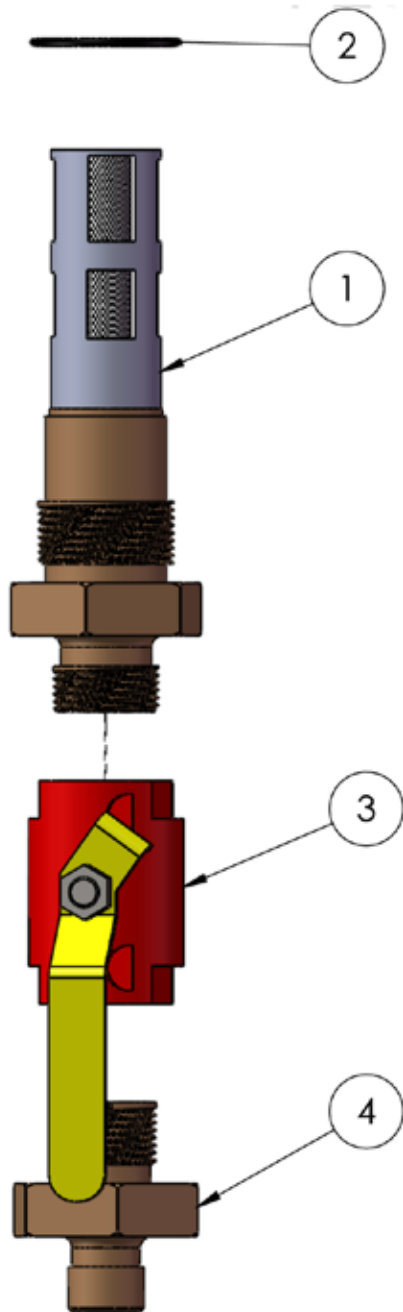


Upper Cylinder Complete



*each part number links to web site part

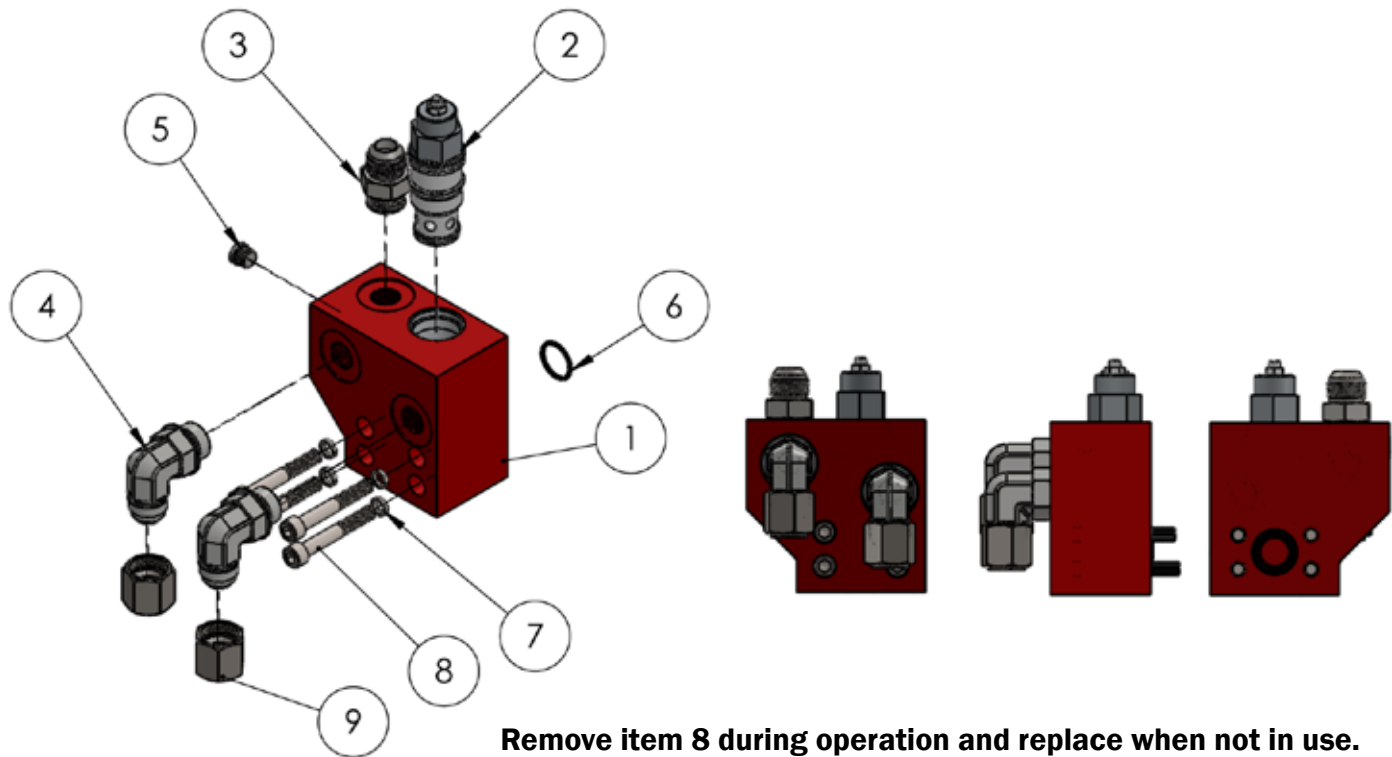
ITEM NO.	PART NUMBER	DESCRIPTION	QTY.
1	230601	CYLINDER UPPER	1
2	17186	PLUG SCREW (DIESEL) COMPLETE	2
3	230605	UPPER END RING L=1600mm	1
4	220605	WASHER 30MM	42
5	220604	30MM-3.5 HEX NUT	21
6	230604	RACHET	2
7	230603	M30 X 160 SOCKET HEAD CAPSCREW	21
8	230606	DOWEL PIN 12×80	2
9	95186	DOWEL PIN 8×80	2
10	220606	FILTER ASSEMBLY	7
11	90791	GREASE NIPPLE M10 X 1	10

Filter Assembly


**each part number links to web site part*

ITEM NO.	PART NUMBER	DESCRIPTION	QTY.
1	220607	FILTER ELBOW	1
2	210607	ROUND SEALING RING 36×1.5	1
3	220608	BALL VALVES 1/2	1
4	220609	SCREW JOINT	1

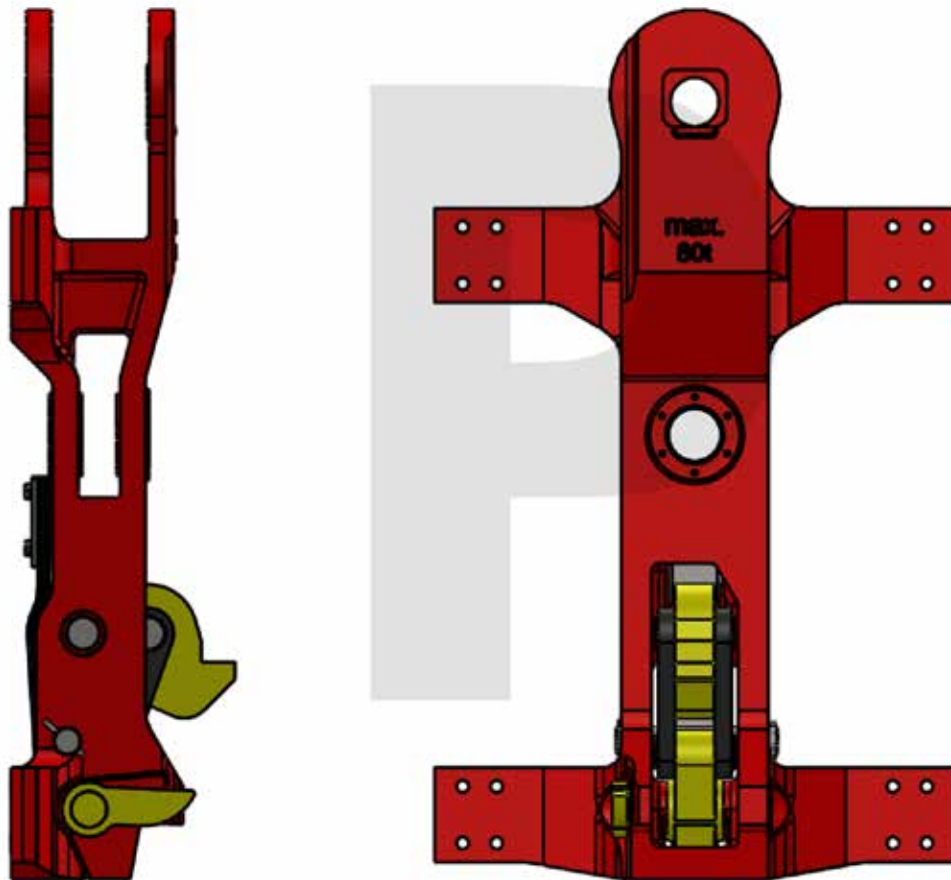
Counterbalance Valve Assembly



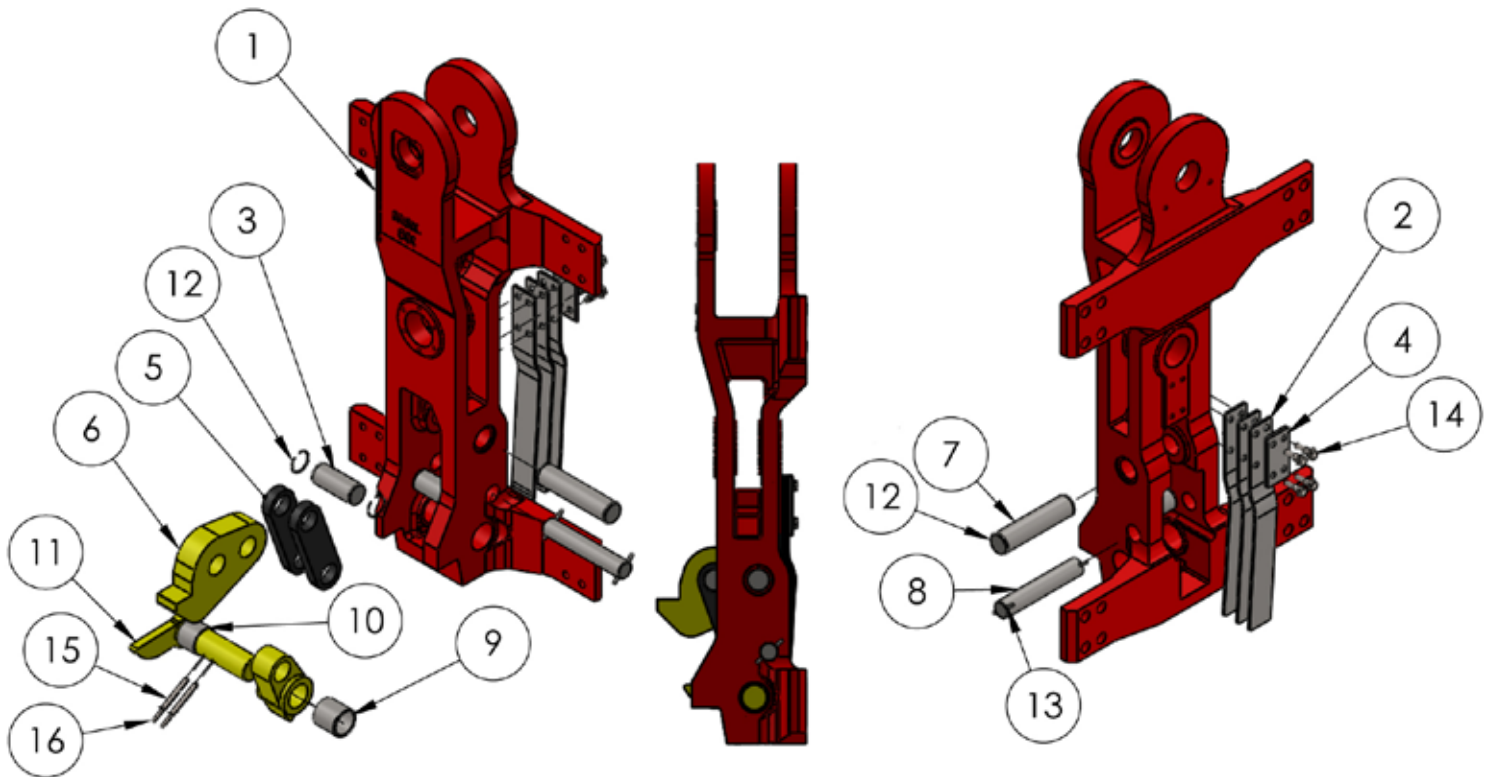
*each part number links to web site part

ITEM NO.	PART NUMBER	DESCRIPTION	QTY.
1	203177	LOWER HYDRAULIC BLOCK	1
2	203122	CBGG-LJN SUN HYDRAULICS	1
3	203124	3/4-1 1/16 - 12 JIC Straight Thread Connectors 37° Flare /SAE-ORB 12 F50X	1
4	203112	3/4-1 1/16 - 12 JIC 90 Thread Connectors 37° Flare /SAEORB 12 C50X	2
5	203125	G1/4 PLUG	1
6	203172	O-RING 2-214 24.99 X 3.53	1
7	207116	10MM HI COLLAR LOCK WASHER	4
8	207115	10MM-1.5 X 70 SOCKET HEAD CAP SCREW	4
9	203138	12 FNTX-S CAP	2

Hydraulic Starting Device (Trip)

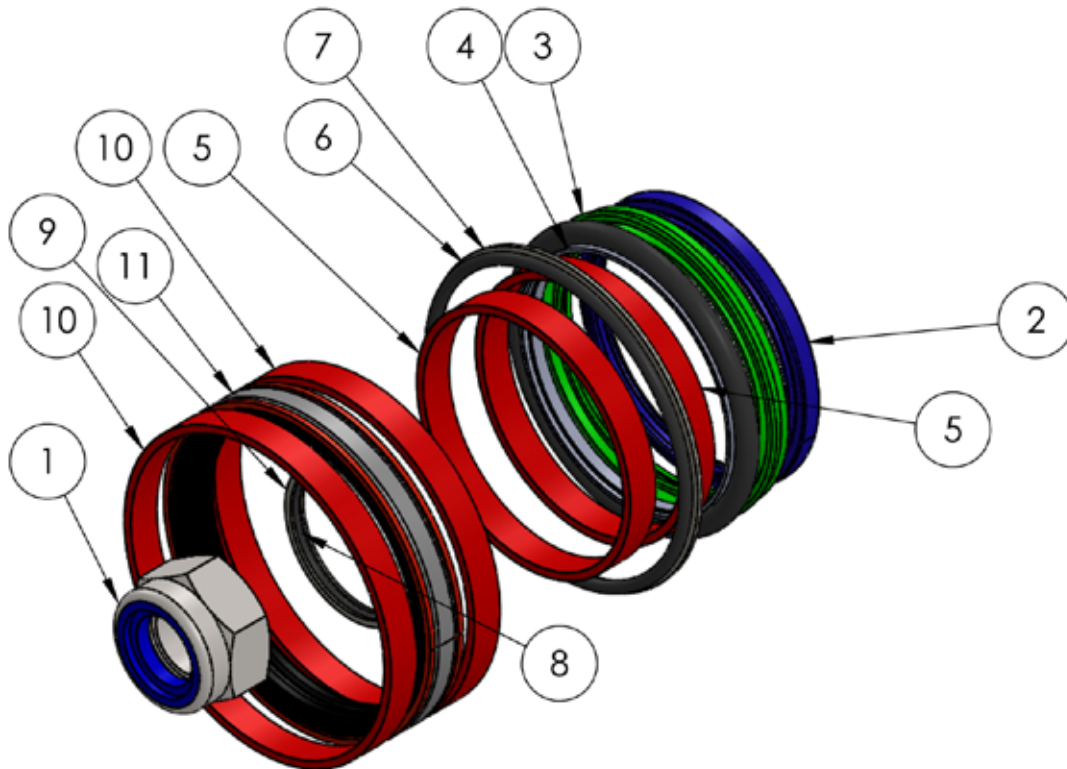


Hydraulic Starting Device (Trip) Assembly



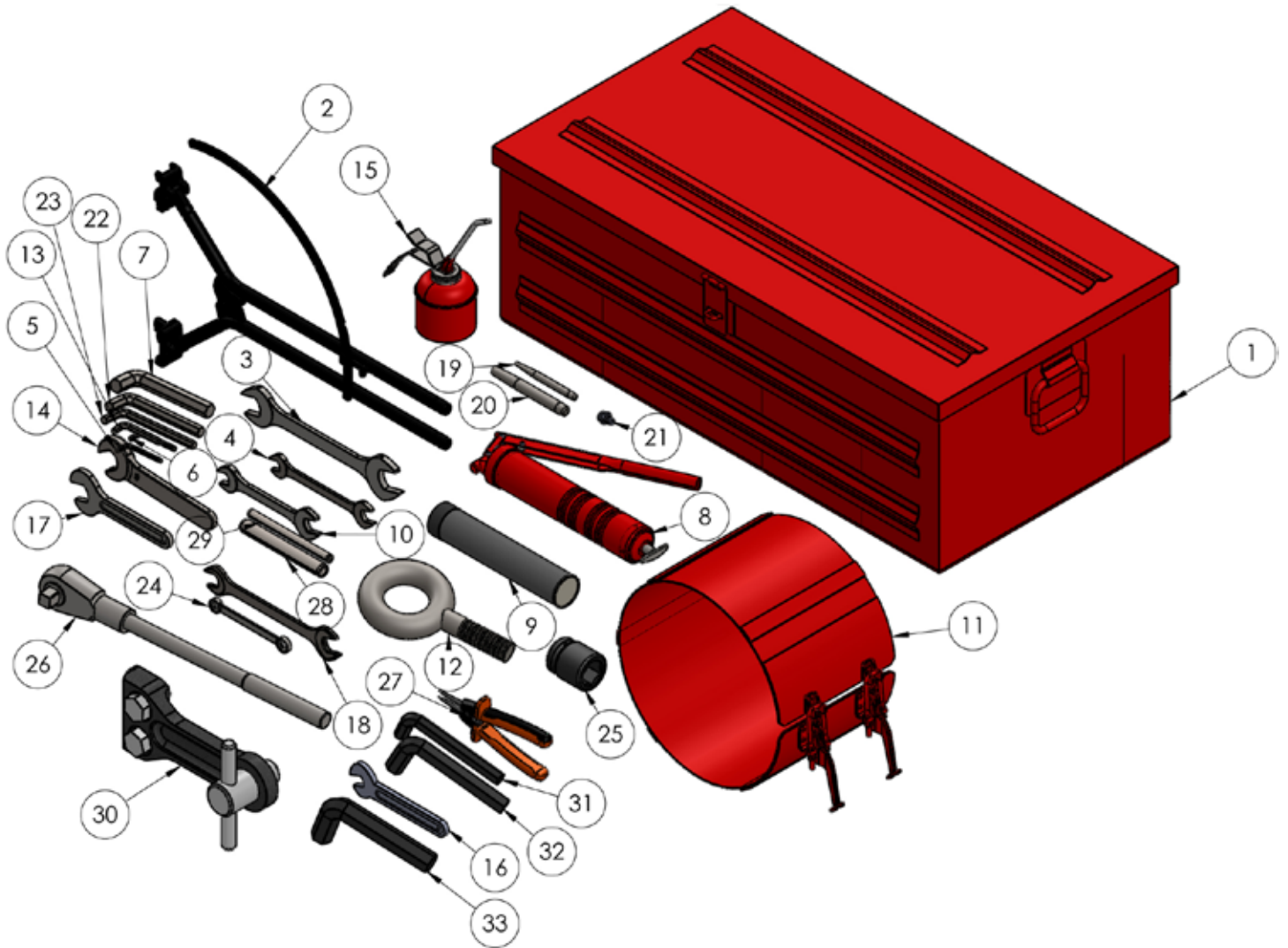
ITEM NO.	PART NUMBER	DESCRIPTION	QTY.
1	230901	GUIDE BODY	1
2	230920	LEAF SPRING	3
3	230913	JOINT BOLT	2
4	230921	PLATE	1
5	230915	SHACKLE	2
6	230912	PAWL	1
7	230925	JOINT BOLT	1
8	230926	SHAFT	1
9	230930	SLEEVE	1
10	230928	SLEEVE	1
11	230916	PAWL LEVER	1
12	230914	90 X 2.5 CIRCLIP	6
13	230927	SPLIT PIN 12×140	2
14	230922	LOCK SCREW M24×80	4
15	230917	20MM X 160 ROLL PIN	2
16	230918	ROLL PIN 12×160	2

D280 Hydraulic Start Cylinder Ring Kit



*each part number links to web site part

ITEM NO.	PART NUMBER	DESCRIPTION	QTY.
1	201104	20MM X 2.5 NYLON INSERT LOCK NUT	1
2	211337	WIPER SEAL	1
3	211338	ROD SEAL	1
4	211339	ROD SEAL	1
5	211340	WEAR RING	2
6	211341	165 X 5.7 O-RING	1
7	211342	166 X 156-2 BACKING RING	1
8	211343	2-230 63.09 X 3.53 O-RING	1
9	211344	65 X 70.5-1.5 BACKING RING	2
10	211345	165 X 160-1.5 GUIDING RING	2
11	211346	165 X 142 X 16 DOUBLE ACTING PISTON SEAL	1

**Tool Box
Complete**

Tool Box Continued...

ITEM NO.	PART NUMBER	DESCRIPTION	QTY.
1	90890	TOOL BOX PART	1
2	231402	PISTON RING FITTING PLIERS COMPLETE	1
3	90655	30 X 32 DOUBLE ENDED OPEN WRENCH	1
4	92015	17 X 19 DOUBLE ENDED OPEN WRENCH	1
5	90055	5MM HEX KEY	1
6	90862	6MM HEX KEY	1
7	90194	19MM HEX KEY	1
8	90795	GREASE GUN, 14 OZ	1
9	93551	MOLYLUBE GREASE	12
10	90443	19 X 22 OPEN END WRENCH	1
11	231401	PISTON RING BAND	2
12	231403	M100 RING SCREW	1
13	90657	8MM HEX KEY	1
14	90184	SINGLE ENDED OPEN SPANNER 46	1
15	93600	OIL CAN	1
16	95071	17MM WRENCH SINGLE OPEN END	1
17	90465	27MM SINGLE ENDED OPEN WRENCH	1
18	95834	DOUBLE ENDED RING SPANNER 22×24	1
19	90354	PUNCH 4/8 DIAMETER	1
20	93349	PUNCH 12/16 DIAMETER	1
21	90791	GREASE NIPPLE M10 X 1	4
22	90079	14MM HEX KEY	1
23	90469	10MM HEX KEY	1
24	261512	13 X 15 DOUBLE ENDED RING WRENCH	1
25	94461	IMPACT SOCKET 36MM	1
26	90196	RACHET	1
27	90785	PLIERS 7"	1
28	230917	20MM X 160 ROLL PIN	2
29	230918	ROLL PIN 12×160	2
30	22700	ASSEMBLY PLATE COMPLETE	1
31	93371	17MM HEX KEY	1
32	93370	22MM HEX KEY	1
33	93347	27MM HEX KEY	1