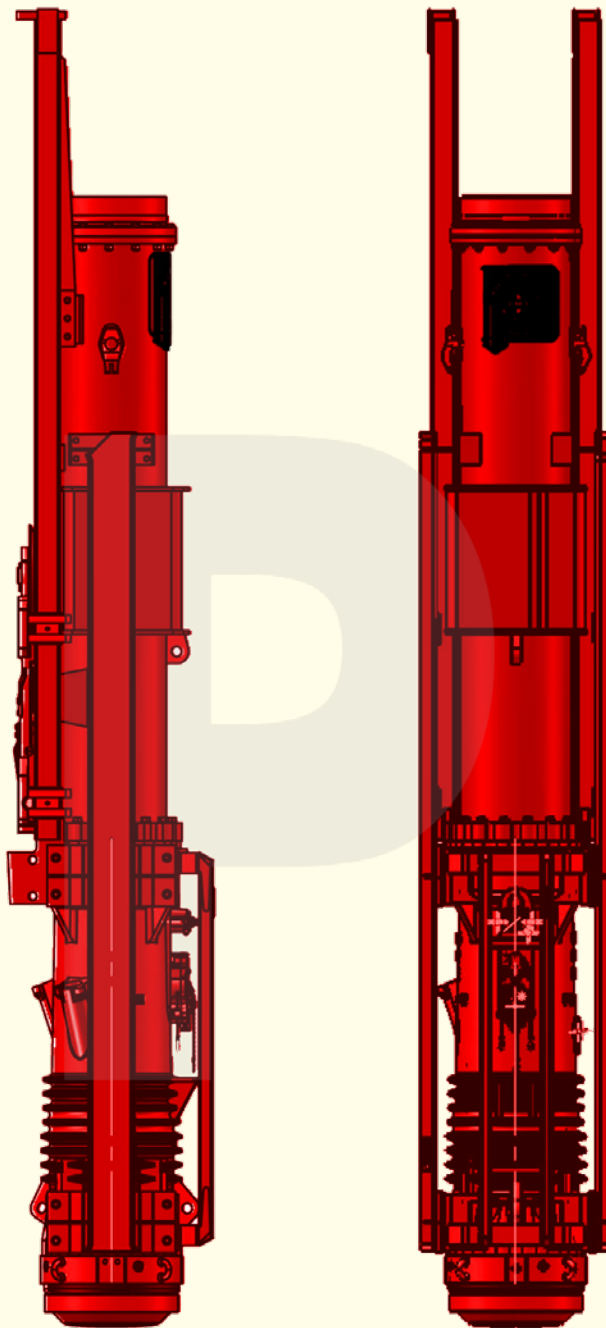


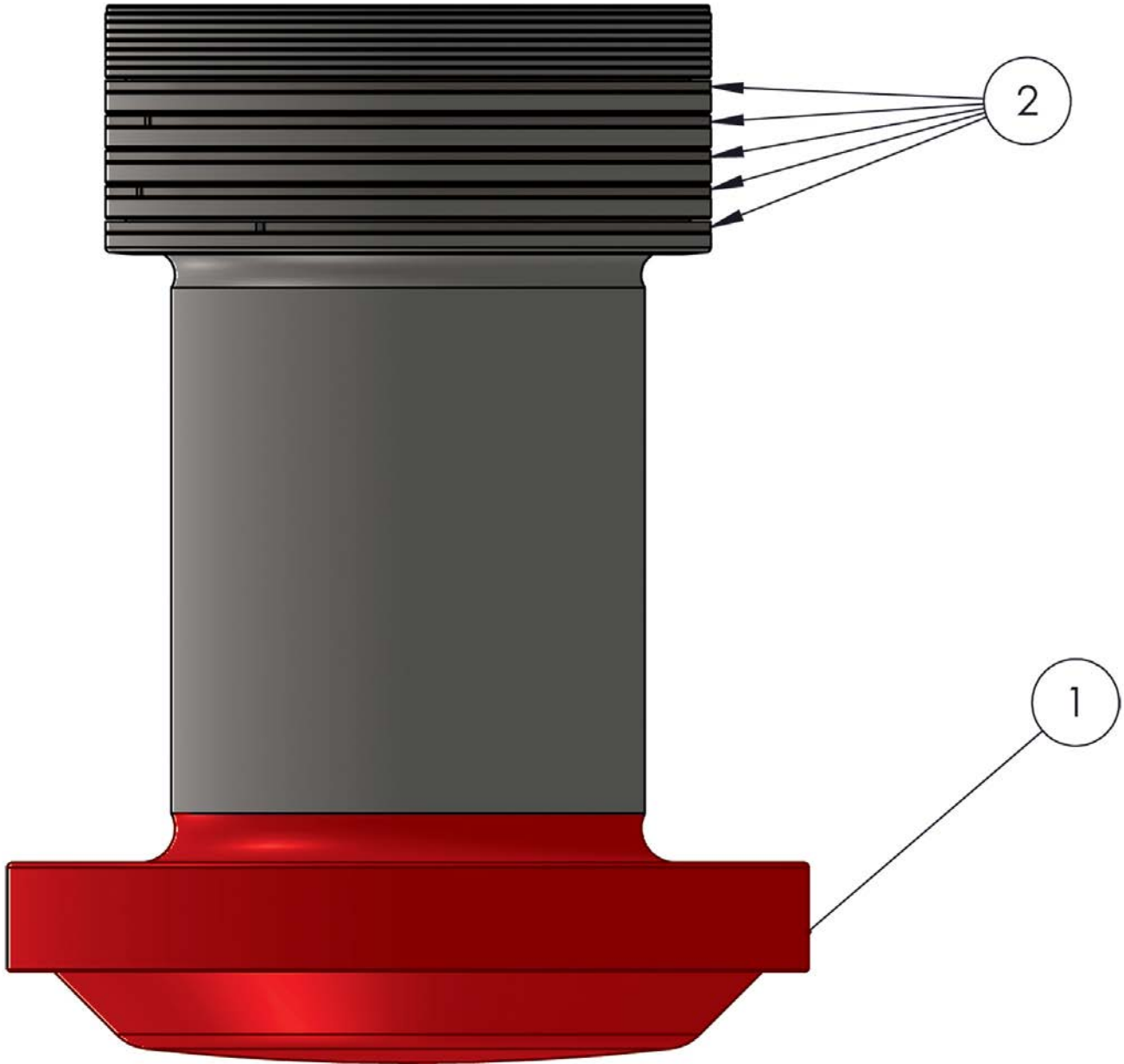
**Diesel Pile Hammer D36-32**  
*Parts Manual*





**Contents Page**

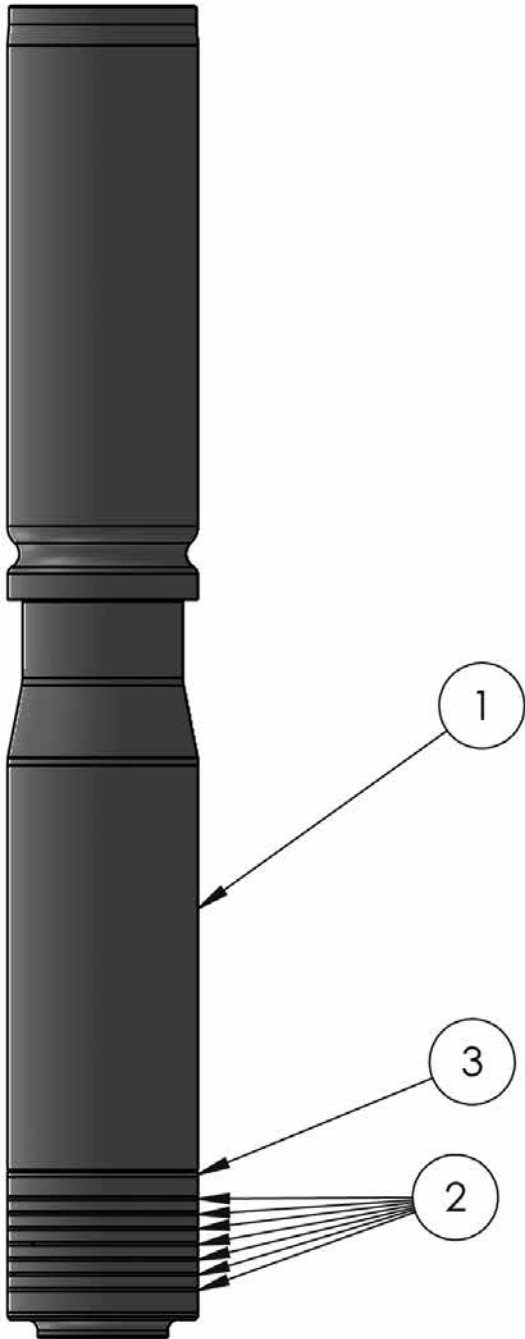
<b>Impact Block</b>	<b>page #3</b>
<b>Striking Weight Piston</b>	<b>page #4</b>
<b>Lower Cylinder Complete</b>	<b>page #5</b>
<b>Lube Pump</b>	<b>page #6-8</b>
<b>Cylinder Complete</b>	<b>page #9</b>
<b>Pressure Valve</b>	<b>page #10</b>
<b>Piston Complete</b>	<b>page #11</b>
<b>Manual Variable Delivery Fuel Pump</b>	<b>page #12-17</b>
<b>Pump Element 24MM</b>	<b>page #18</b>
<b>Stop Valve Complete</b>	<b>page #19</b>
<b>Suction Valve Complete</b>	<b>page #20</b>
<b>Check Non-Return Valve</b>	<b>page # 21</b>
<b>Hydraulic Variable Delivery Fuel Pump</b>	<b>page # 22-23</b>
<b>Fuel Pump Control</b>	<b>page # 24</b>
<b>Hydraulic Hand Pump</b>	<b>page # 25-26</b>
<b>Manifold Complete</b>	<b>page # 27</b>
<b>Hand Pump 1/4" Hose assembly</b>	<b>page # 28</b>
<b>Fuel Injection Device</b>	<b>page #29-30</b>
<b>Threaded Pipe Joint Complete</b>	<b>page #31</b>
<b>Manual Starting Device—Trip</b>	<b>page # 32-36</b>
<b>Hydraulic Starting Device—Trip</b>	<b>page #37-38</b>
<b>Hydraulic Cylinder Complete</b>	<b>page #39</b>
<b>Hydraulic Cylinder Assembly</b>	<b>page #40</b>
<b>Hydraulic Start Cylinder Ring Kit</b>	<b>page #41</b>
<b>Counterbalance Valve</b>	<b>page #42</b>
<b>Lead Guiding U-32</b>	<b>page #44</b>
<b>Lead Guiding U-37</b>	<b>page #45</b>
<b>Lead Guiding U-42</b>	<b>page #46</b>
<b>Spacer Block Kit 6"</b>	<b>page #47</b>
<b>Tool Box</b>	<b>page #48-49</b>

**Impact Block  
Complete**


\*each part number links to web site part

ITEM NO.	PART NUMBER	DESCRIPTION	QTY.
1	109809	IMPACT BLOCK	1
2	20221	PISTON RING	5

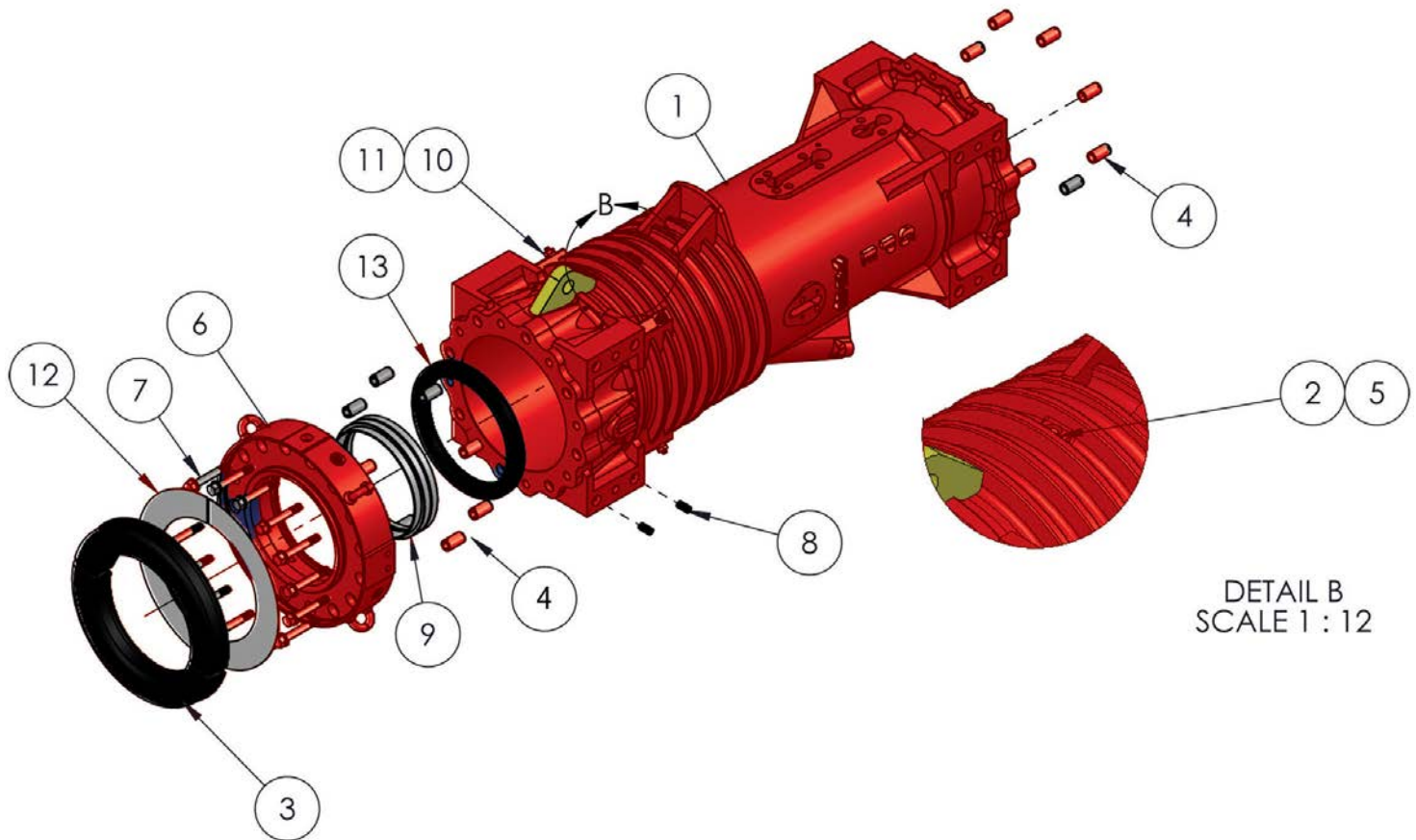
# Striking Weight Piston Complete



\*each part number links to web site part

ITEM NO.	PART NUMBER	DESCRIPTION	QTY.
1	205008	STRIKING WEIGHT (PISTON)	1
2	20221	PISTON RING	7
3	20220	CATCH RING	1

## Lower Cylinder Complete



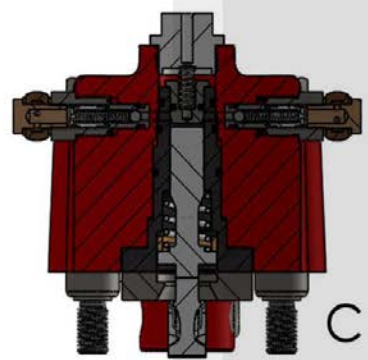
DETAIL B  
SCALE 1 : 12

\*each part number links to web site part

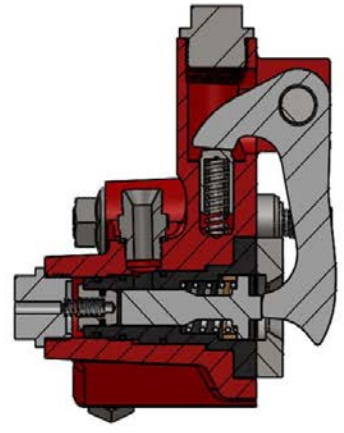
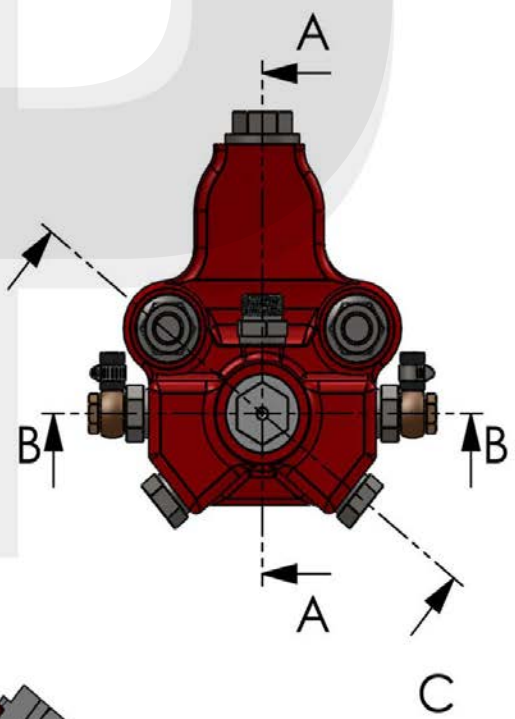
ITEM NO.	PART NUMBER	DESCRIPTION	QTY.
1	205005	LOWER CYLINDER PART D36	1
2	90002	SEALING RING 18 X 22	1
3	22122	RUBBER RINGS (2 PCS)	1
4	95195	40 X 75 DOWEL PIN	16
5	91460	PLUG SCREW M18 X 1.5	1
6	43366	LOWER OUTER END RING (2PCS)	1
7	20174	M24 X 165 HEX BOLT	16
8	95582	THREADED INSERT M24	16
9	41348	INNER END RING	1
10	22592	REDUCER	8
11	90791	GREASE NIPPLE M10 X 1	8
12	205006	SPACER (2PCS)	1
13	60152	INNER DAMP RING	1



# ***Lube Pump***

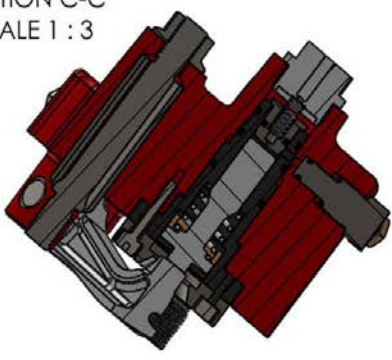


SECTION B-B  
SCALE 1 : 3

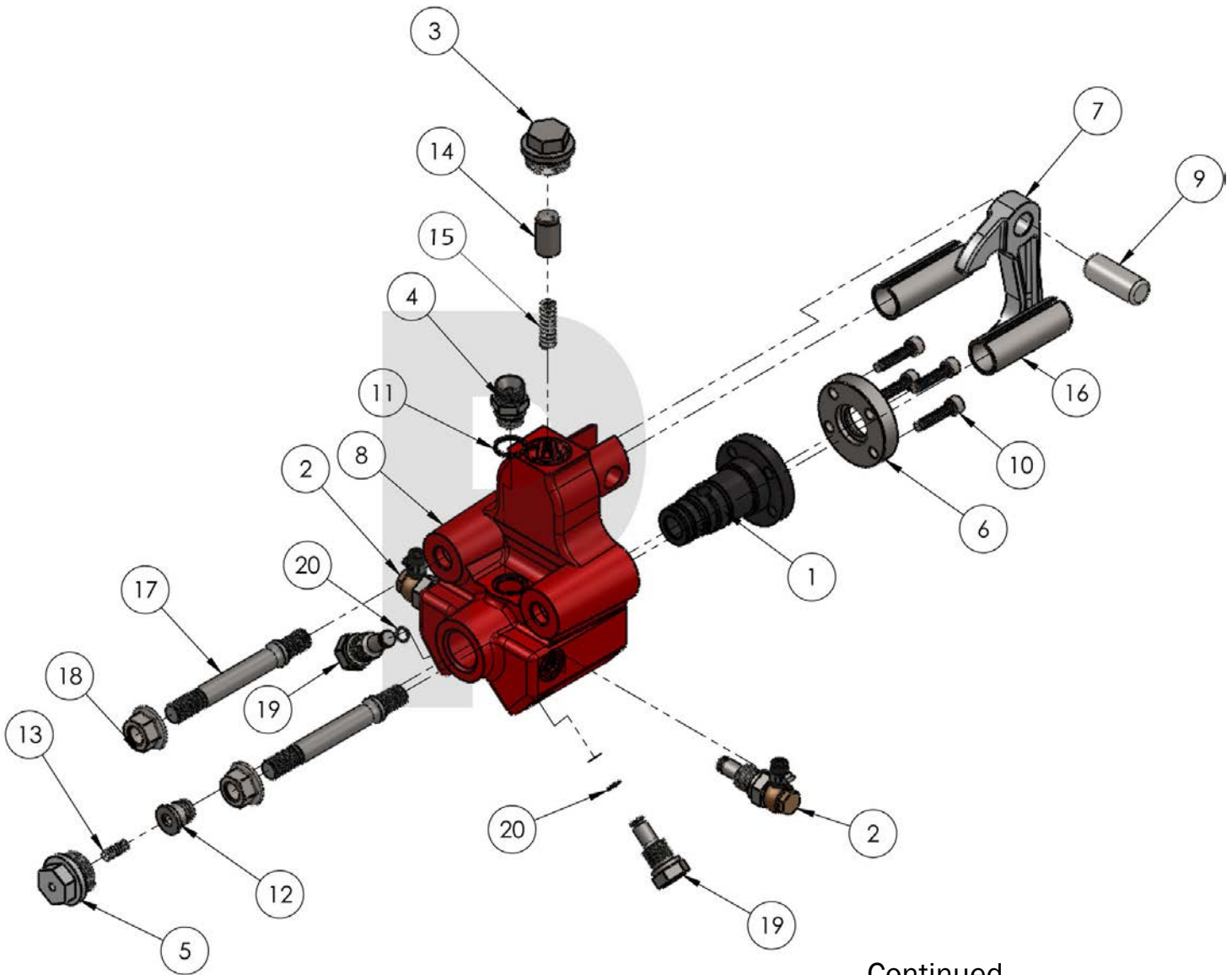


SECTION A-A  
SCALE 1 : 3

SECTION C-C  
SCALE 1 : 3



**Lube Pump  
Complete**



Continued.....

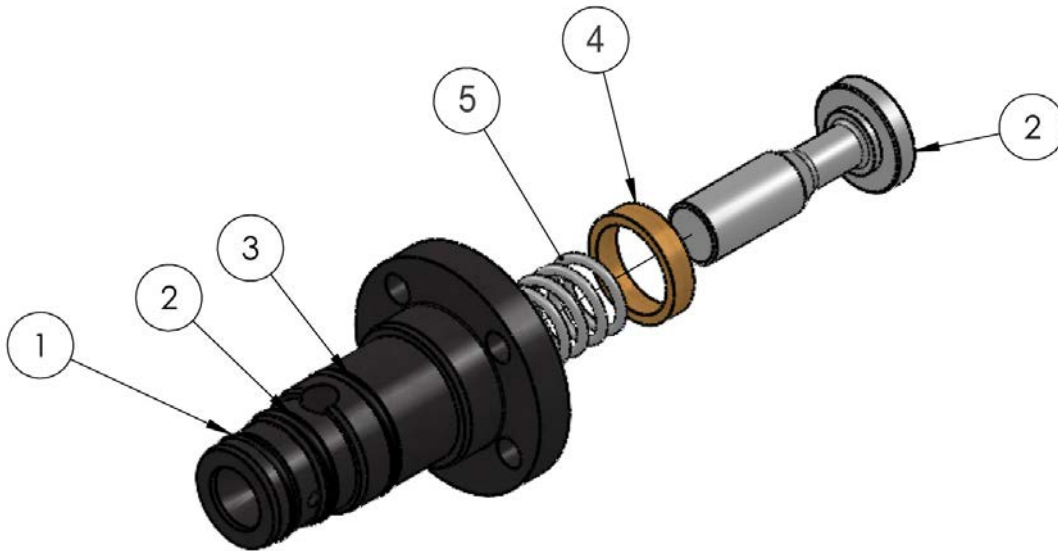


**Lube Pump  
Complete**

\*each part number links to web site part

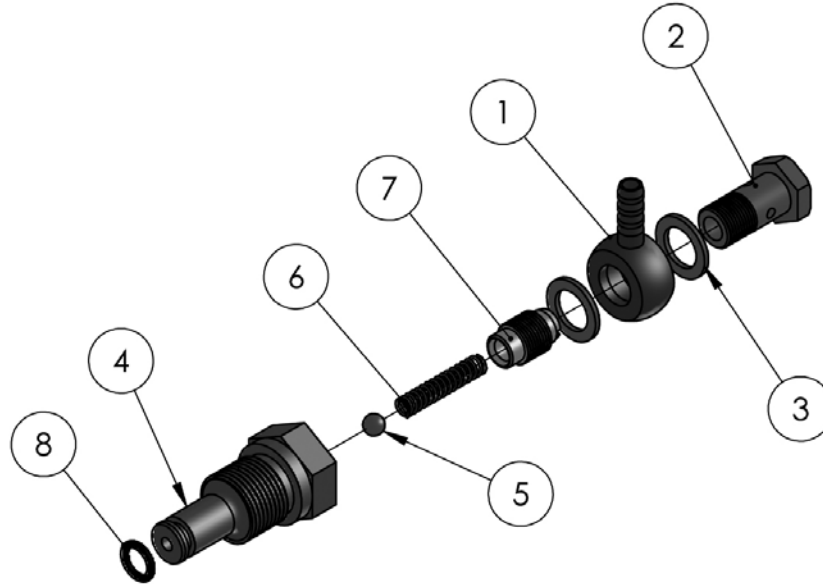
ITEM NO.	PART NUMBER	DESCRIPTION	QTY.
1	67279	CYLINDER COMPLETE	1
2	108317	PRESSURE VALVE COMPLETE	3
3	91976	PLUG SCREW	1
4	67290	ADAPTER	1
5	108307	PLUG SCREW	1
6	67282	WASHER	1
7	22081	LUBE PUMP LEVER	1
8	108315	LUBE PUMP BODY	1
9	22082	PUMP LEVER PIN	1
10	90937	M8 x 35 DIN 912 8.8	4
11	92031	SEALING RING A20 X 24	1
12	67284	PISTON COMPLETE	1
13	190479	PRESSURE SPRING 7.3 X 29.4 X 1.2	1
14	22090	SLEEVE	1
15	22089	PRESSURE SPRING 10 X 43 X 2	1
16	94315	DOWEL PIN 28 X 80 DIN 7346	2
17	20189	PUMP STUD M16	2
18	94722	M16 WASHER NUT	2
19	108316	PLUG SCREW	1
20	97855	O RING 8 X 2	1



**Cylinder  
Complete**


\*each part number links to web site part

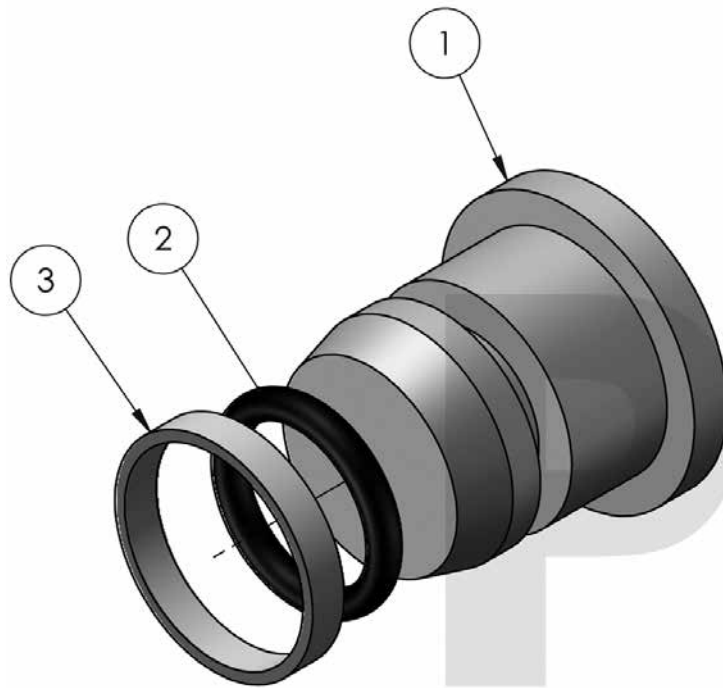
ITEM NO.	PART NUMBER	DESCRIPTION	QTY.
1	205020	O RING 24 X 3	1
2	91357	O RING 26 X 3	1
3	92952	O RING 30 X 3	1
4	67283	RING	1
5	97325	PRESSURE SPRING 22 X 52 X 2, 8	1

**Pressure Valve  
Complete**


\*each part number links to web site part

ITEM NO.	PART NUMBER	DESCRIPTION	QTY.
1	97949	RING NIPPLE	1
2	97948	HOLLOW SCREW A6 DIN 7623-6.8	1
3	91417	SEALING RING A12 X 15.5 DIN 7603-CU	2
4	108319	ADAPTER	1
5	90307	BALL 6MM DIN 5401	1
6	190005	PRESSURE SPRING 5 X 36 X 0.8	1
7	104679	PLUG SCREW	1
8	97855	8 X 2 O-RING	1

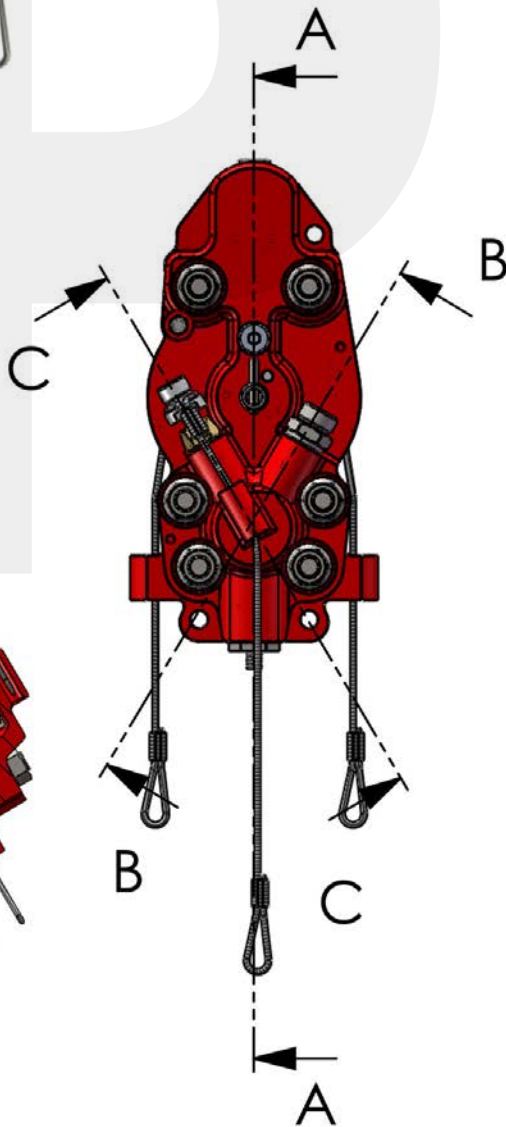
**SOLD  
TOGETHER**

**Piston  
Complete**

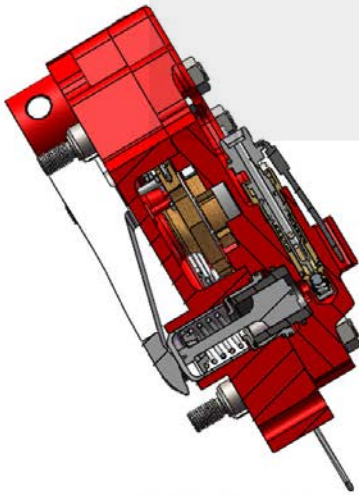
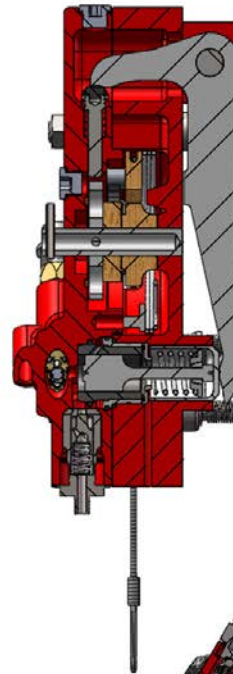
*\*each part number links to web site part*

ITEM NO.	PART NUMBER	DESCRIPTION	QTY.
1	67285	PISTON	1
2	97326	O RING	1
3	97326	SLIP RING	1

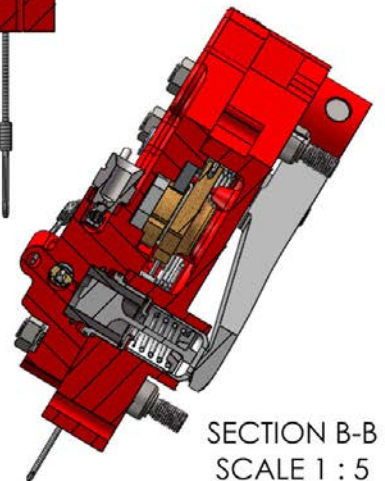
# Manual Delivery Fuel Pump



SECTION A-A  
SCALE 1 : 5

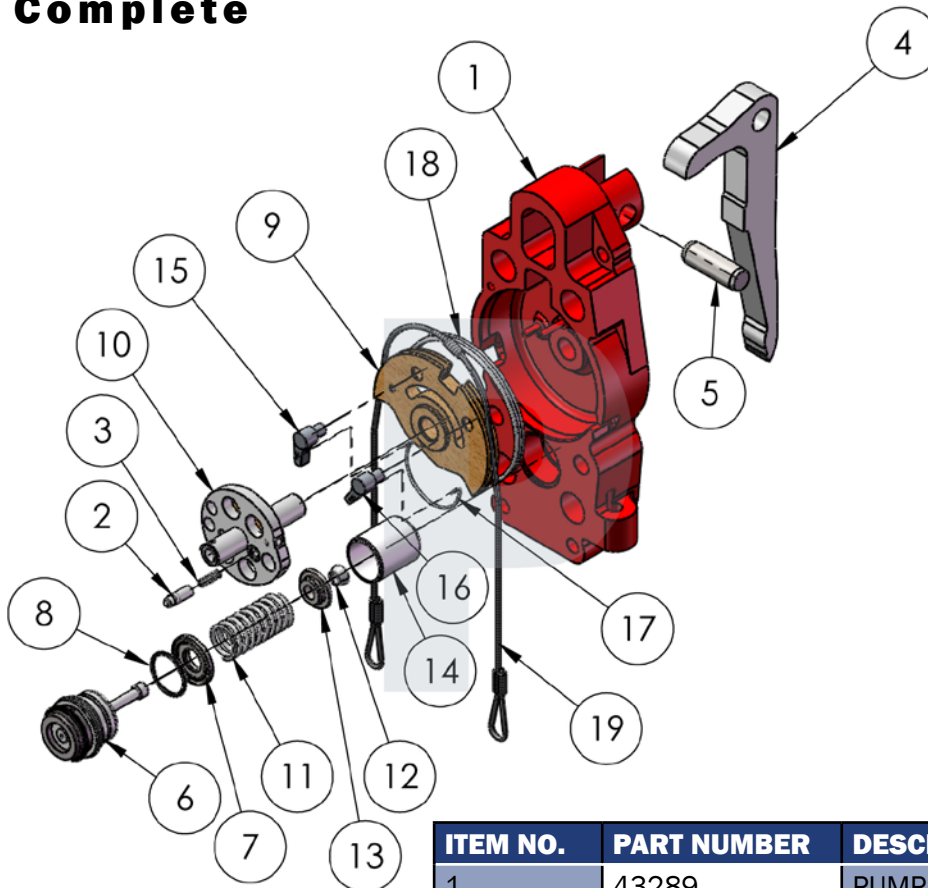


SECTION C-C  
SCALE 1 : 5



SECTION B-B  
SCALE 1 : 5

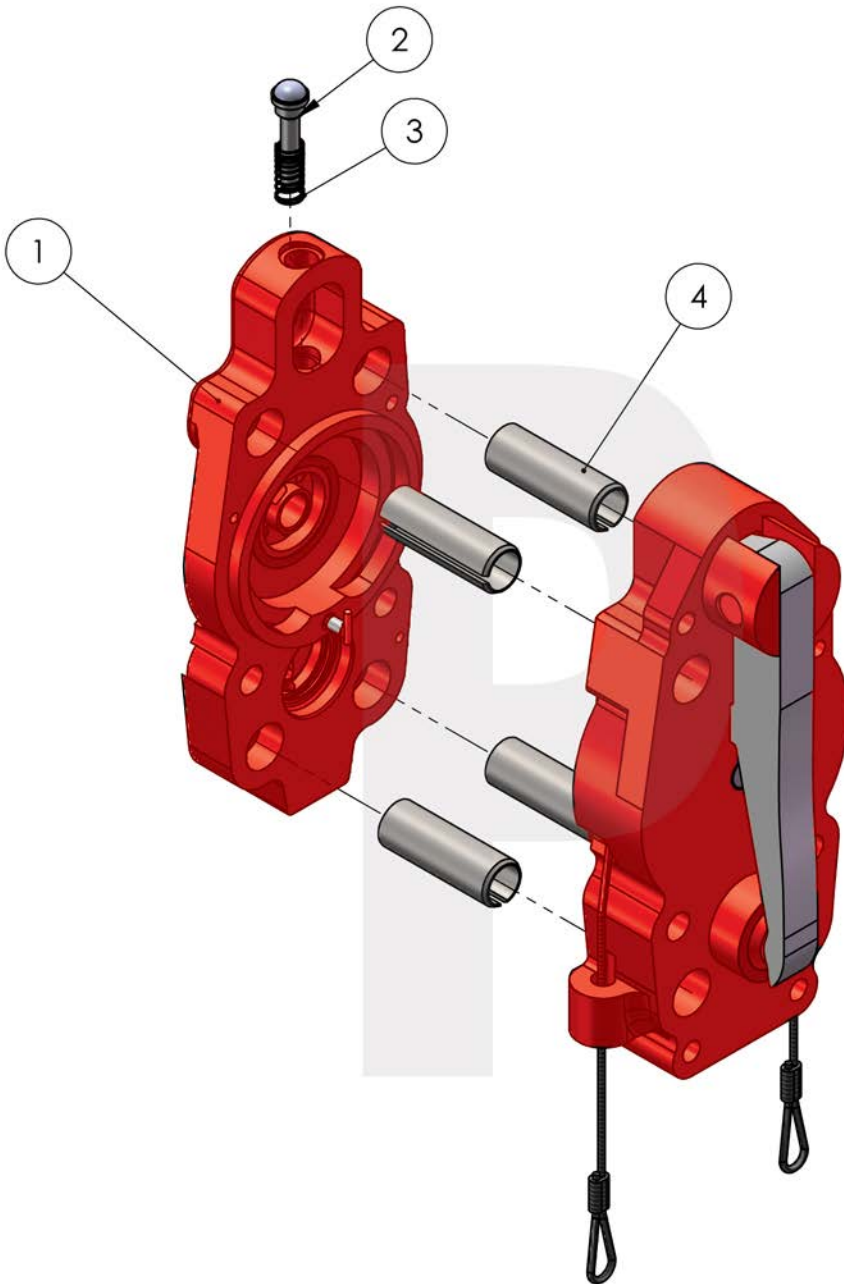
# Manual Variable Delivery Fuel Pump Complete



\*each part number links to web site part

ITEM NO.	PART NUMBER	DESCRIPTION	QTY.
1	43289	PUMP BODY	1
2	22049	SCREEN PIN	1
3	22044	PRESSURE SPRING 5.5 X 20 X 1.2	1
4	41869	PUMP LEVER	1
5	22043	PUMP LEVER PIN	1
6	205012	D36 PUMP ELEMENT 24MM	1
7	43994	HOLDER RING	1
8	92996	ROUND SEALING RING 35 X 2.5	1
9	22040	ROPE DISC	1
10	43308	SWITCH SHAFT	1
11	22060	PRESSURE SPRING 28 X 67.2 X 3.5	1
12	22059	CONICAL RING 2 PCS	1
13	22058	SPRING RETAINING COLLAR	1
14	43287	GUIDE SLEEVE	1
15	22051	CAM	1
16	22052	CAM	1
17	22245	SPRING	1
18	22062	SWIVEL SPRING	1
19	17546	REGULATION ROPE	1

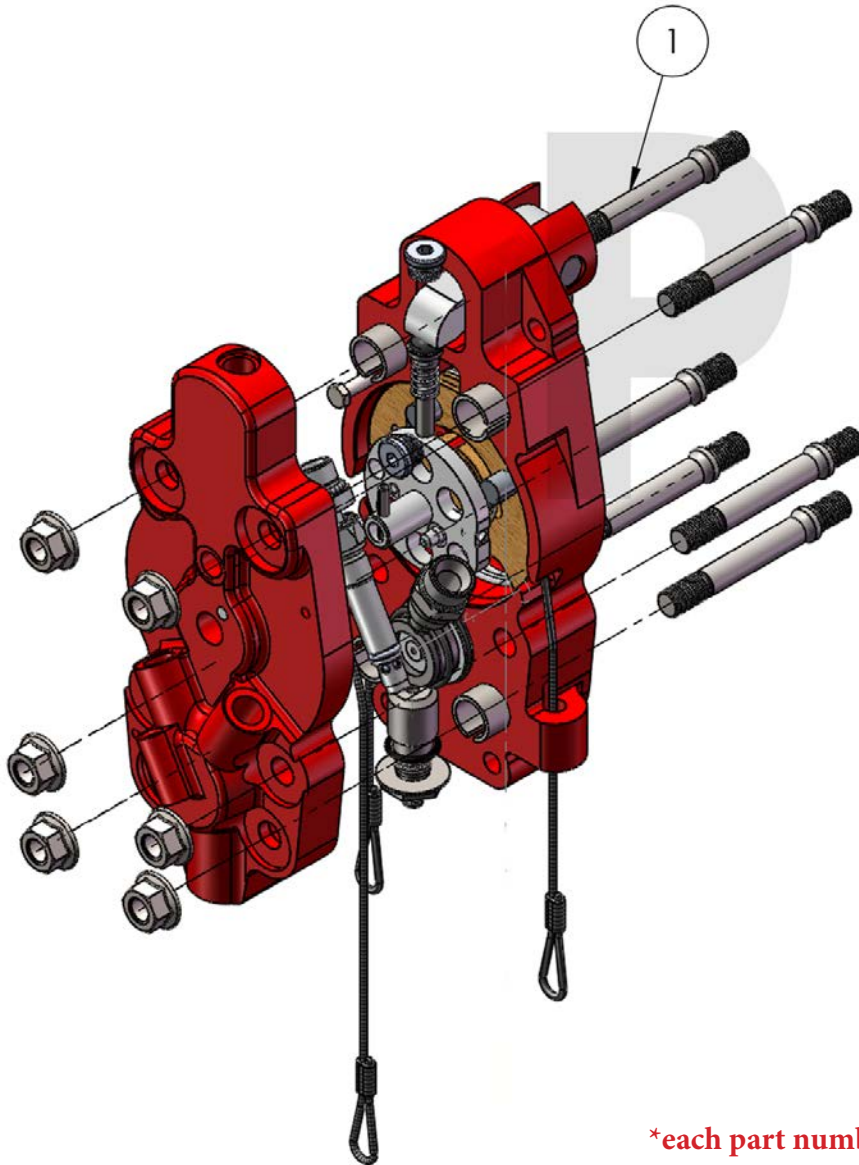
# Manual Variable Delivery Fuel Pump Complete



\*each part number links to web site part

ITEM NO.	PART NUMBER	DESCRIPTION	QTY.
1	43291	PUMP COVER	1
2	62125	PRESSURE PIECE	1
3	22046	PRESSURE SPRING	1
4	94315	DOWEL PIN 28 X 80	4

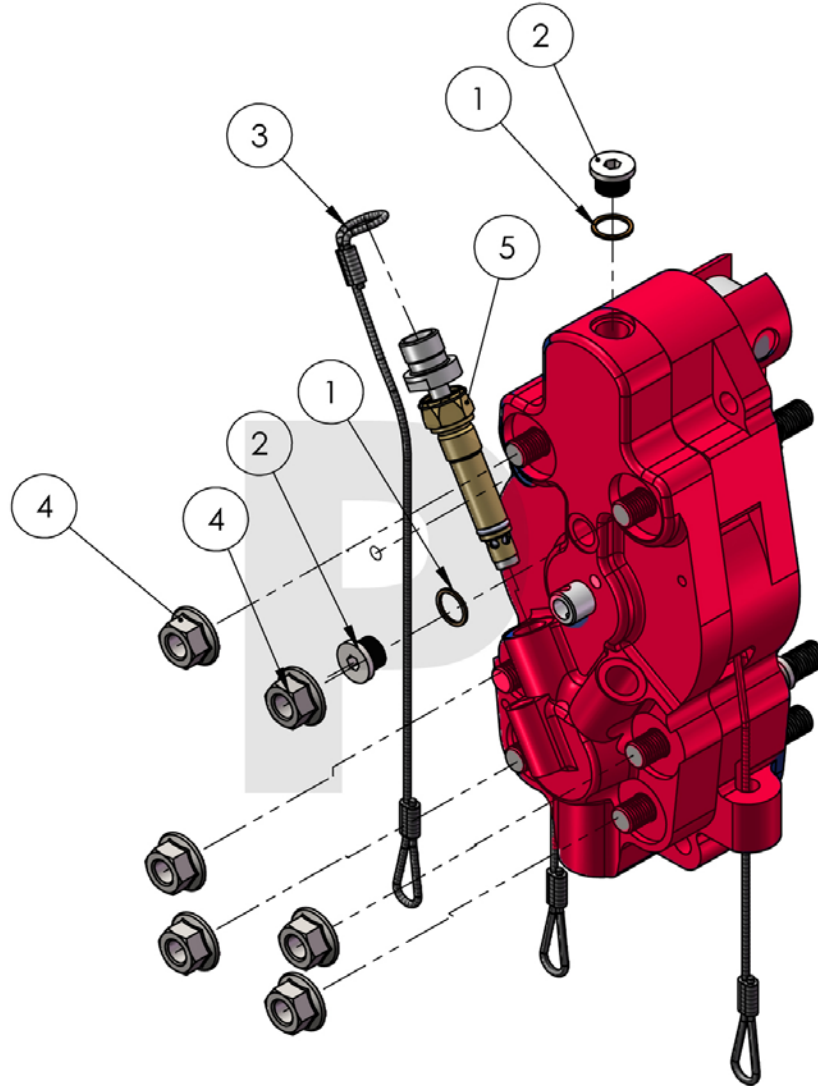


**Manual Variable Delivery Fuel Pump  
Complete**


\*each part number links to web site part

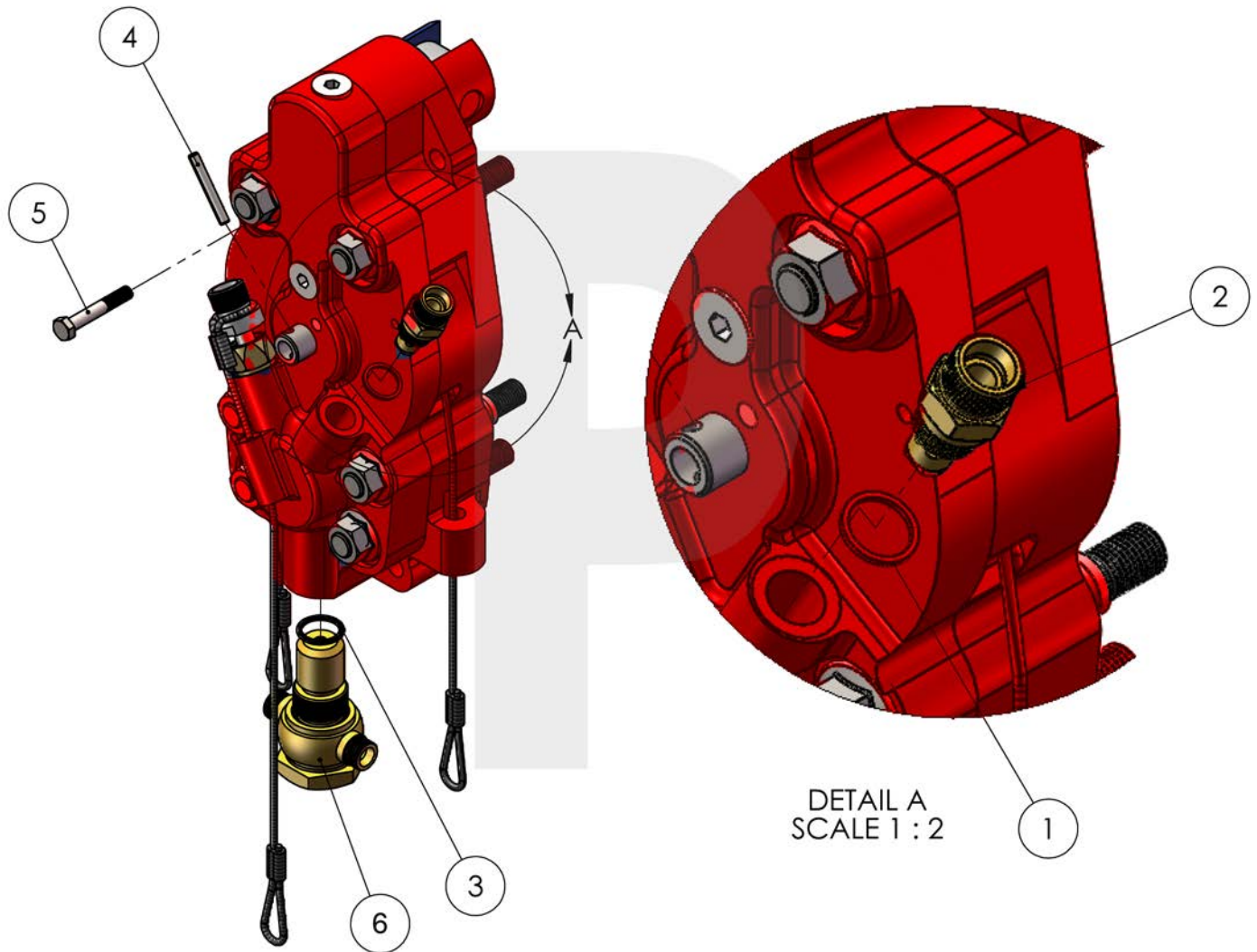
ITEM NO.	PART NUMBER	DESCRIPTION	QTY.
1	20189	PUMP STUD M16	6



**Manual Variable Delivery Fuel Pump  
Complete**


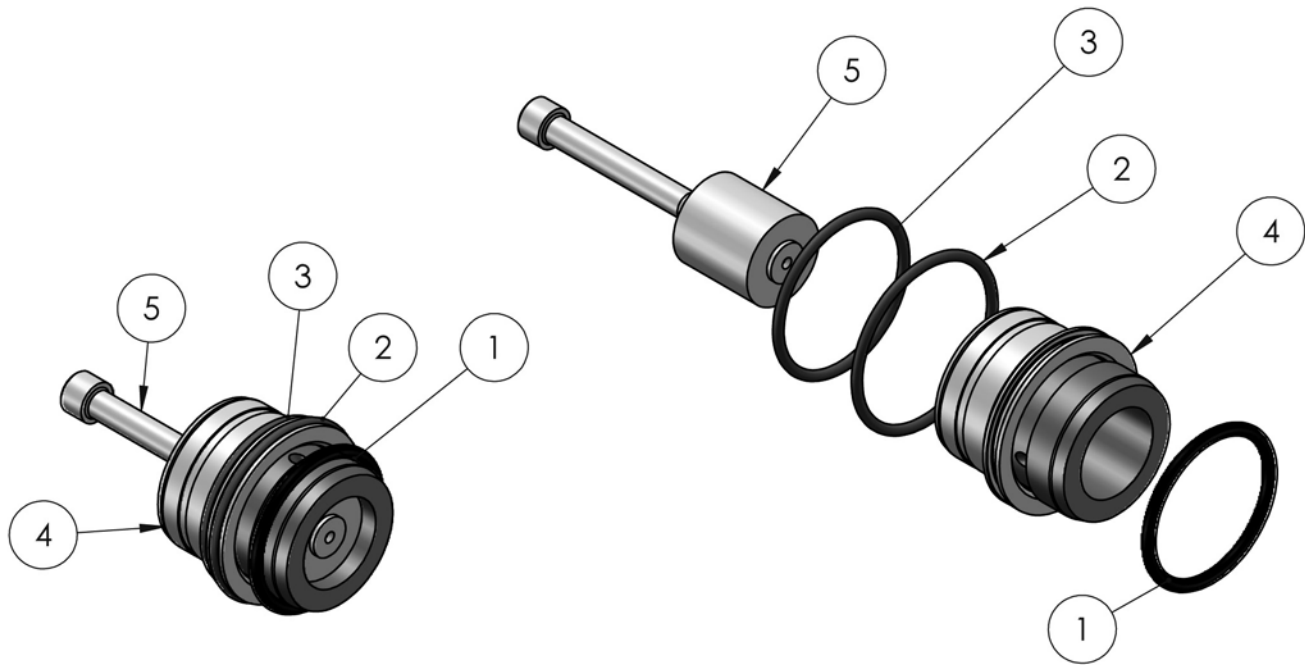
\*each part number links to web site part

ITEM NO.	PART NUMBER	DESCRIPTION	QTY.
1	90002	SEALING RING A18 X 22	2
2	93055	PLUG SCREW M18 X 1.5	2
3	17546	REGULATING ROPE	1
4	94722	M16 WASHER NUT	6
5	41868	STOP VALVE COMPLETE	1

**Manual Variable Delivery Fuel Pump  
Complete**


\*each part number links to web site part

ITEM NO.	PART NUMBER	DESCRIPTION	QTY.
1	92031	SEALING RING A20 X 24	1
2	41863	SUCTION VALVE	1
3	91296	O-RING 22 X 3	1
4	90150	DOWEL PIN 6 X 40	1
5	93456	LOCKING SCREW M8 X 50	1
6	60827	CHECK NON-RETURN VAVLE COMPLETE	1

**24MM Pump Element  
Complete**


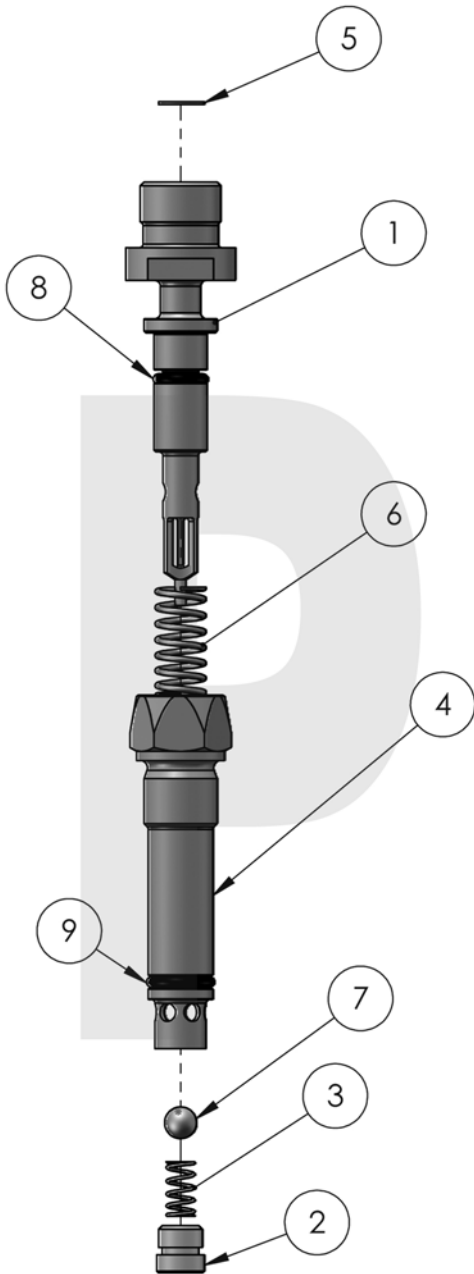
**Sold as one complete unit!**

**\*each part number links to web site part**

ITEM NO.	PART NUMBER	DESCRIPTION	QTY.
1	95933	O-RING 42 X 3	1
2	91322	O-RING 44 X 3	1
3	91339	O-RING 40 X 2.5	1
4	<b>205012</b>	24MM ELEMENT BODY	1
5	<b>205012</b>	24MM ELEMENT PLUNGER	1

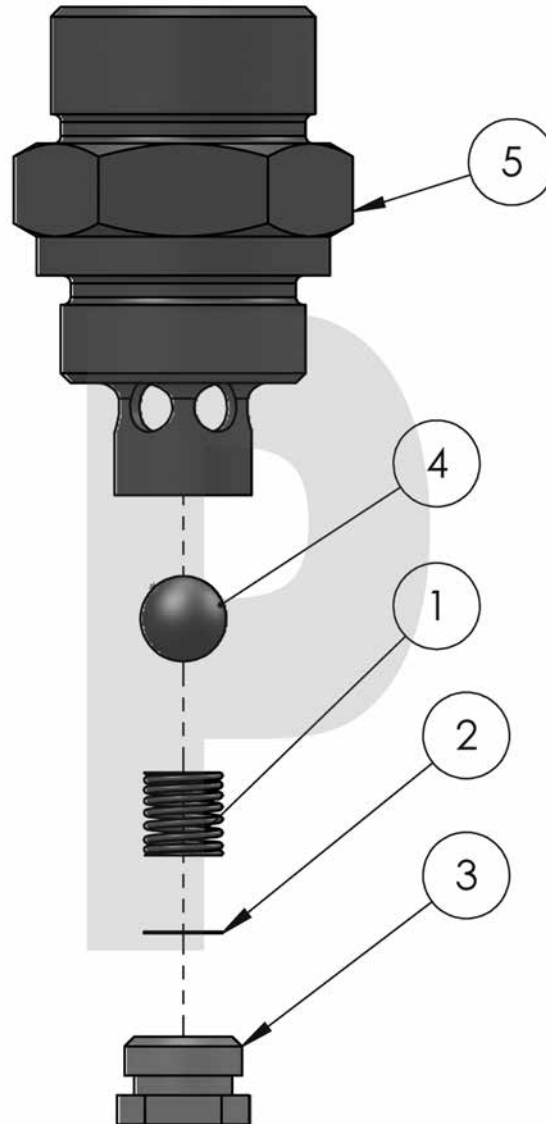
TOGETHER

## Stop Valve Complete



*\*each part number links to web site part*

ITEM NO.	PART NUMBER	DESCRIPTION	QTY.
1	43138	VALVE PISTON	1
2	22021	THREADED PLUG	1
3	98929	PRESSURE SPRING	1
4	43130	VALVE SCREW	1
5	95768	CIRCLIP 20 X 1	1
6	43279	PRESSURE SPRING	1
7	98511	BALL 8.731MM	1
8	91894	O-RING 8 X 3	1
9	94316	O-RING 12 X 3	1

**Suction Valve  
Complete**


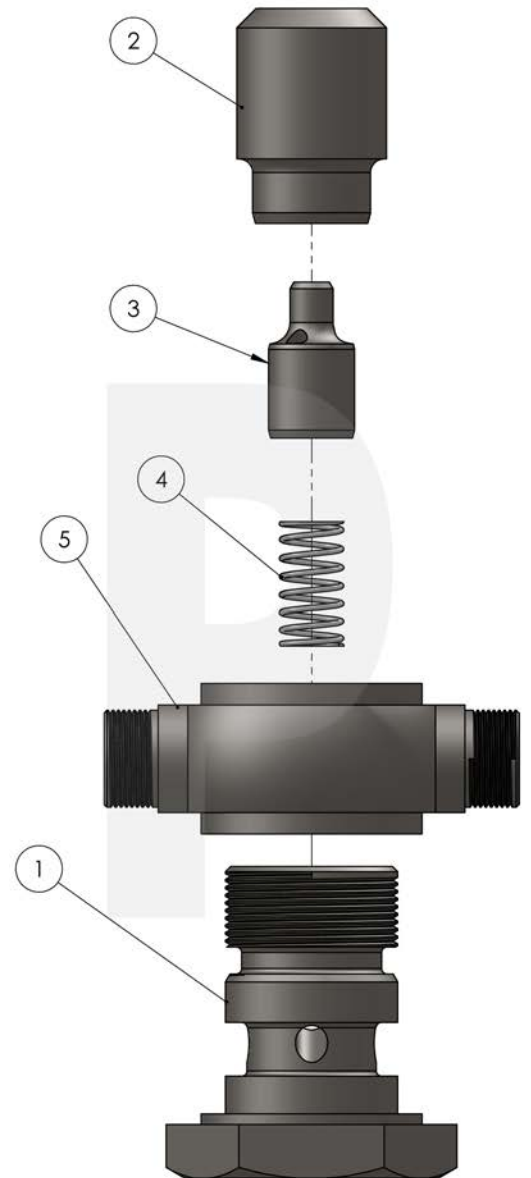
*\*each part number links to web site part*

ITEM NO.	PART NUMBER	DESCRIPTION	QTY.
1	22022	PRESSURE SPRING 7.3 X 8 X 0.7	1
2	22023	WASHER	2
3	41862	THREADED PLUG	1
4	98511	BALL 8.731MM	1
5	41861	SLEEVE	1

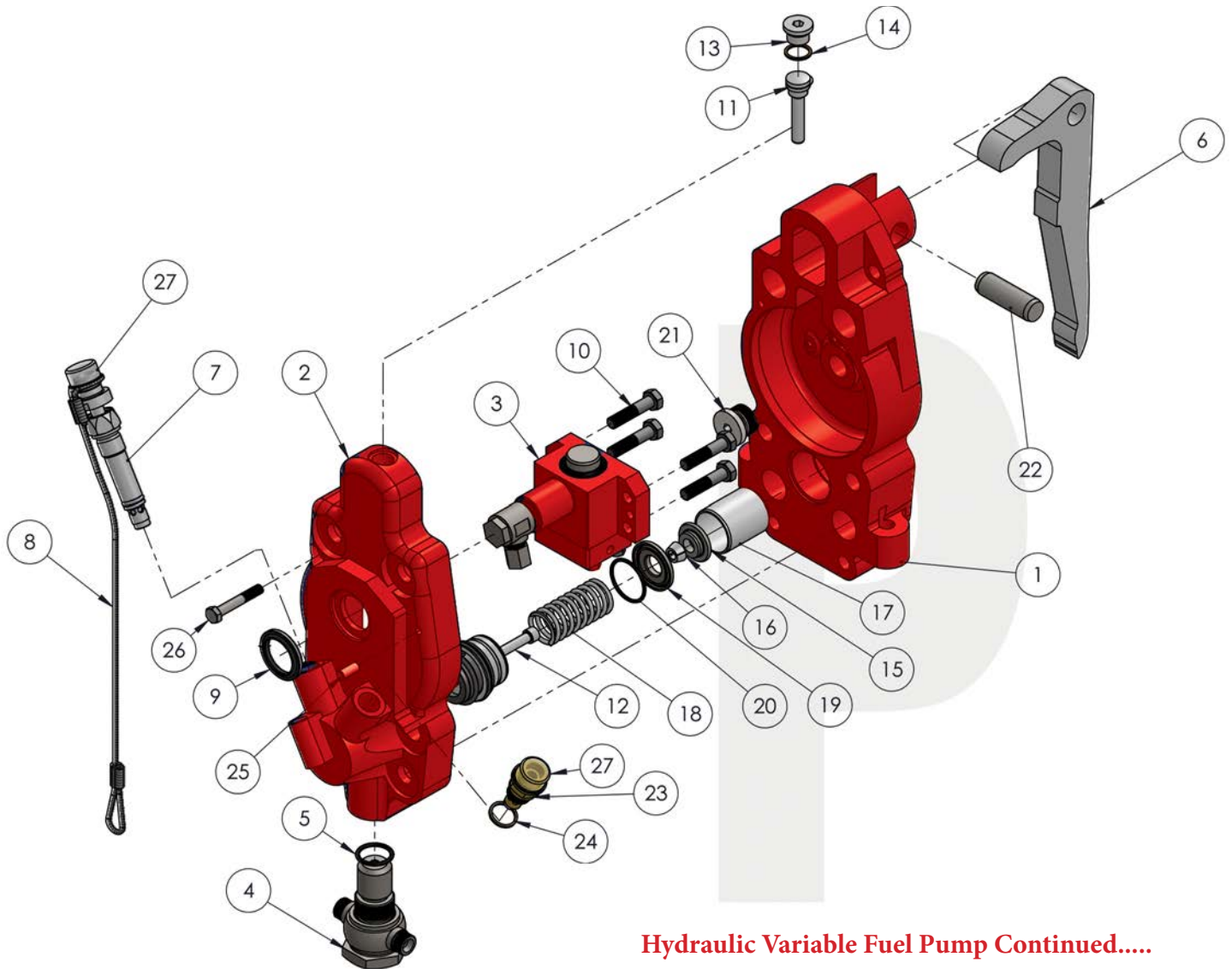
# Check Non-Return Valve Complete

\*each part number links to web site part

ITEM NO.	PART NUMBER	DESCRIPTION	QTY.
1	60194	HOLLOW SCREW	1
2	43297	HOUSING	1
3	43299	VALVE PISTION	1
4	22034	PRESSURE SPRING	1
5	60195	RING NIPPLE	1



**Hydraulic Variable Delivery Fuel Pump  
Complete**



**Hydraulic Variable Fuel Pump Continued.....**

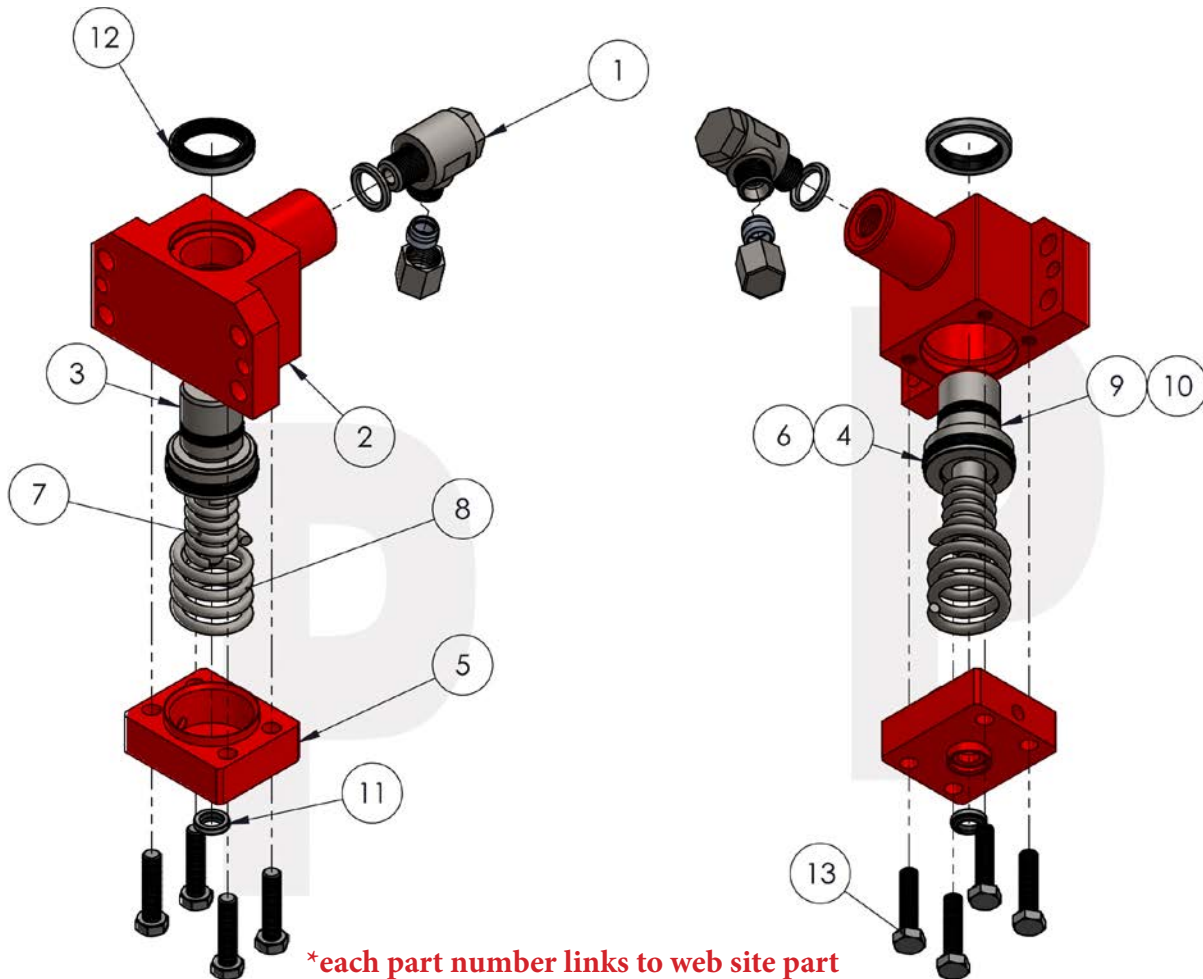


## Hydraulic Variable Delivery Fuel Pump Complete

\*each part number links to web site part

ITEM NO.	PART NUMBER	DESCRIPTION	QTY.
1	205503	PUMP BODY	1
2	205508	PUMP COVER	1
3	122446-C	FUEL PUMP CONTROL COMPLETE	1
4	60827	CHECK NON RETURN VALVE COMPLETE	1
5	91296	O RING 22 X 3	1
6	41869	PUMP LEVER	1
7	41868	STOP VALVE COMPLETE	1
8	17546	REGULATING ROPE	1
9	205507	DUST RING	1
10	93414	10-1.5 X 30 HEX HEAD CAPSCREW 8.8	4
11	205501	PRESSURE PIECE	1
12	205012	D36 PUMP ELEMENT 24 MM	1
13	93055	PLUG SCREW 18 X 1.5	1
14	90002	SEALING RING 18 X 22	1
15	22058	SPRING RETAINING COLLAR	1
16	22059	CONICAL RING 2 PCS	1
17	43287	GUIDE SLEEVE	1
18	22060	PRESSURE SPRING 28 X 67.2 X 3.5	1
19	43995	HOLDER RING	1
20	92996	ROUND SEALING RING 35 X 2.5	1
21	91885	PLUG SCREW M26 X 1.5	1
22	22043	PIN	1
23	41863	SUCTION VALVE	1
24	92031	SEALING RING A20 X 24	1
25	205506	DOWEL PIN 8 X 20	1
26	93456	LOCKING SCREW M8 X 50	1
27	93236	PROTECTION CAP	2

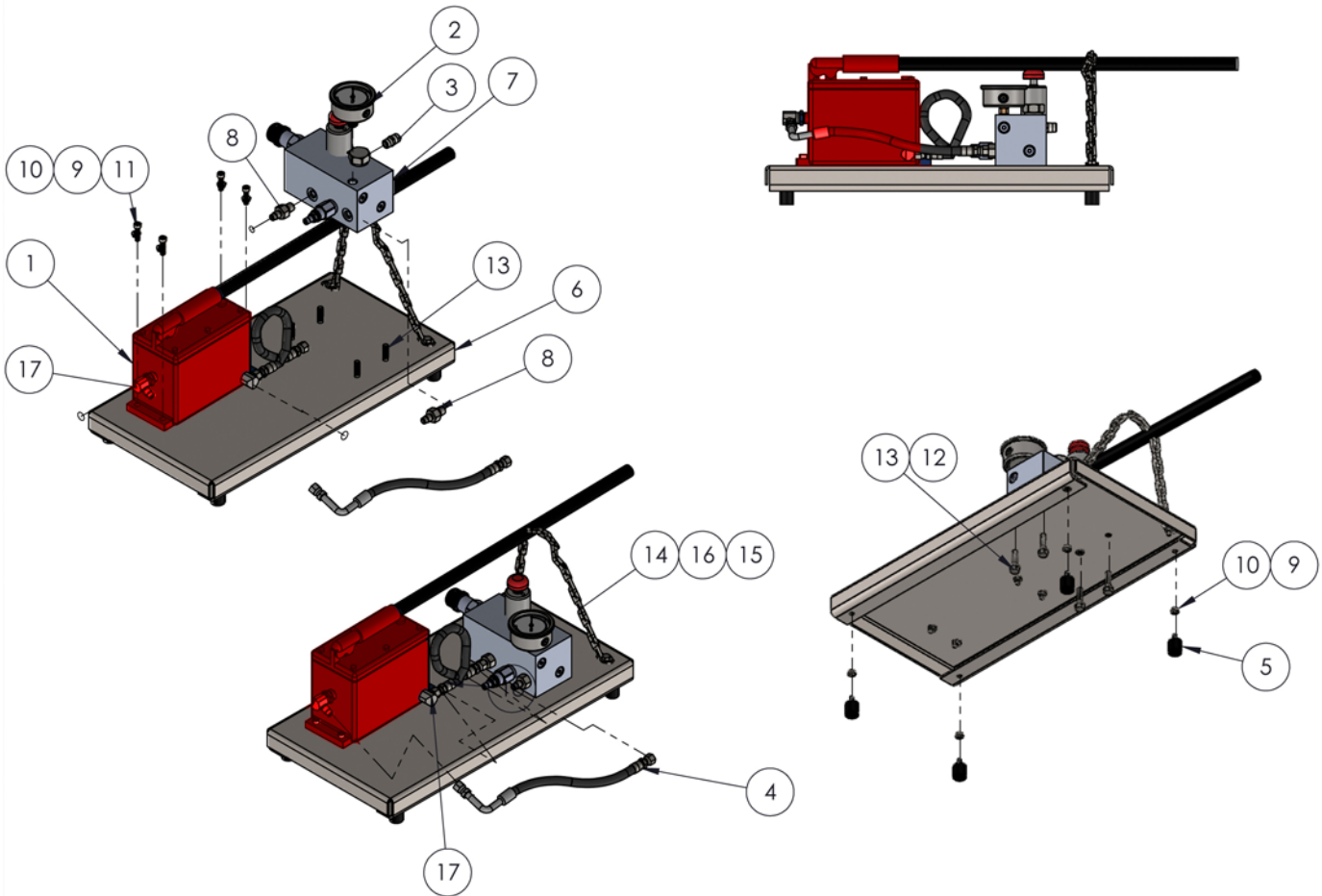
## Fuel Pump Control Complete



\*each part number links to web site part

ITEM NO.	PART NUMBER	DESCRIPTION	QTY.
1	205509	METRIC BITE TYPE FITTING M16 X 1.5	1
2	126538-C	CYLINDER	1
3	126539	PISTON	1
4	193444	O-RING 32.93 X 3.53	1
5	126537-C	COVER	1
6	193446	BACK UP RING	1
7	193451	PRESSURE SPRING	1
8	193450	PRESSURE SPRING	1
9	193445	O-RING 20.22 X 3.53	1
10	193447	BACK UP RING	1
11	193448	ROD WIPER	1
12	193449	ROD WIPER	1
13	94989	8-1.25 X 35 HEX HEAD CAPSCREW	4

# Hydraulic Hand Pump Assembly



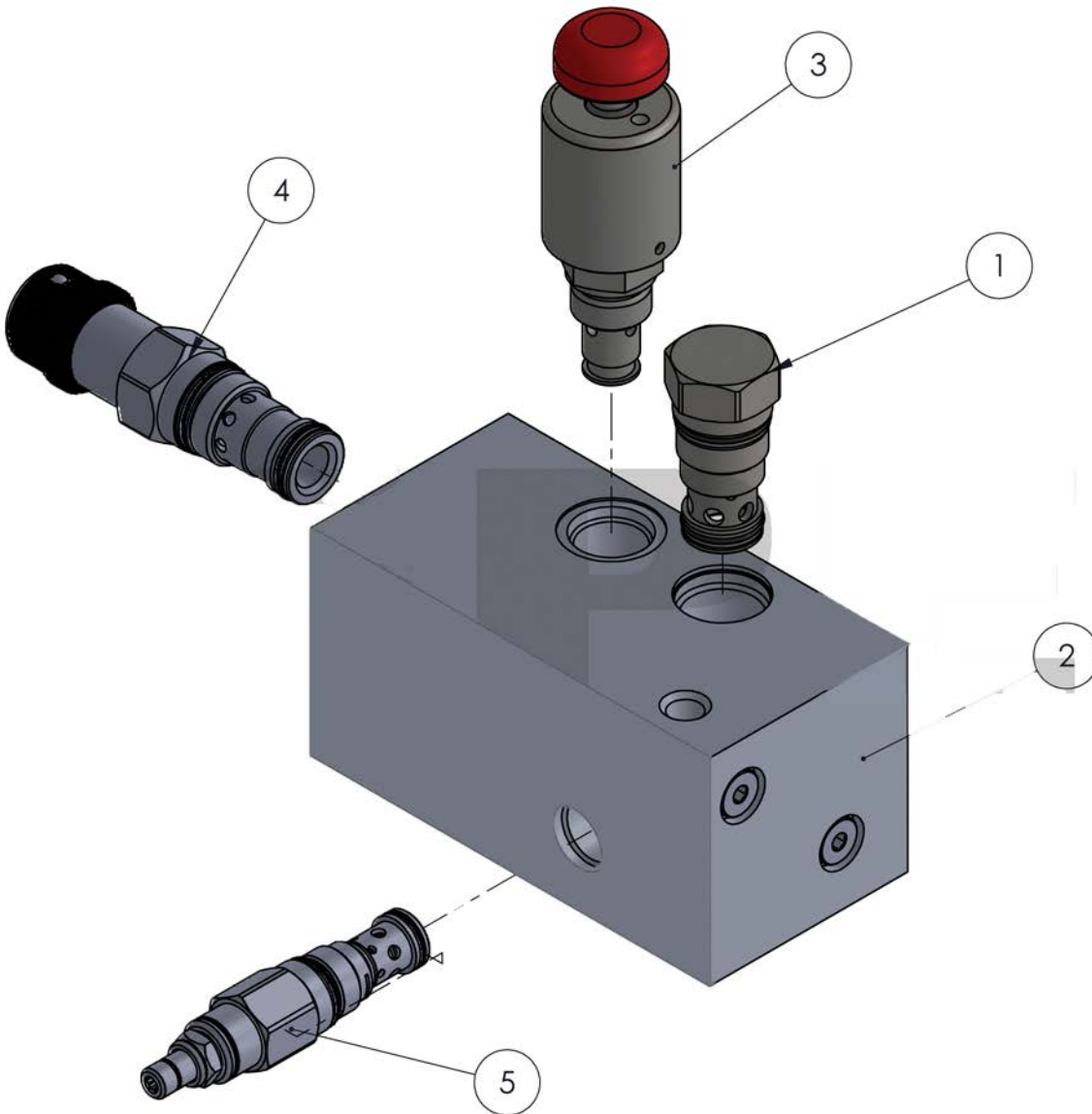
**Hydraulic Hand Pump Continued.....**

## Hydraulic Hand Pump Assembly

Hydraulic Hand Pump Continued....

\*each part number links to web site part

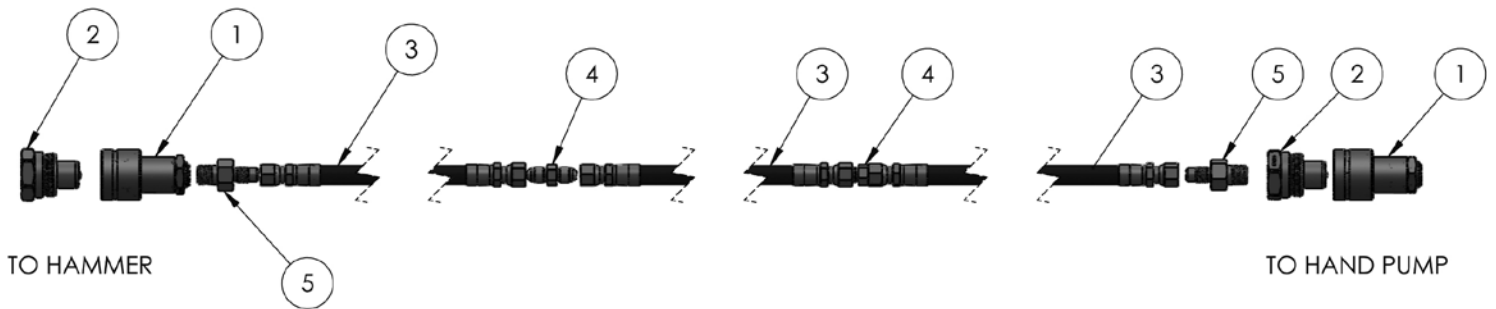
ITEM NO.	PART NUMBER	DESCRIPTION	QTY.
1	55107	P-51 ENERPAC PUMP	1
2	55120	G25-SL600-CB SS PRESSURE GAUGE	1
3	55121	4SAE MALE TO 1/4 NPT MALE ADAPTER	1
4	55104	1/4 JIC FEMALE SWIVEL FITTING TO 1/4 JIC FEMALE SWIV- EL 1/4 PRESSURE HOSE	1
5	55122	RUBBER FOOT 1" X 1"-1/4-20 X 3/4 BOLT	4
6	55105	PLATE	1
7	55103	MANIFOLD COMPLETE	1
8	55123	4 SAE MALE TO 1/4 JIC MALE STRAIGHT ADAPTER	2
9	55124	M6 SPLIT LOCKWASHER	14
10	55125	M6-1.0 JAM NUT	10
11	55126	6-1.0 X 25 SOCKET HEAD CAPSCREW	4
12	55127	8MM SPLIT LOCKWASHERS	4
13	55128	8-1.25 X 30 HEX HEAD CAPSCREW	4
14	55108	CHAIN LINK #2/0 X 16"	1
15	55129	6MM FLAT WASHER	2
16	55130	6-1.0 X 20 HEX HEAD CAPSCREW	2
17	55131	3/8 NPT MALE TO 1/4 JIC MALE 90 ADAPTER	2
18	55109	1/4 JIC FEMALE SWIVEL FITTING TO 1/4 JIC FEMALE SWIV- EL HOSE TO TANK	1

**Manifold  
Complete**


*\*each part number links to web site part*

ITEM NO.	PART NUMBER	DESCRIPTION	QTY.
1	55110	CXFA-XCN DIRECTION CHECK	1
2	55106	MANIFOLD	1
3	55111	DOERING DUMP VALVE	1
4	55112	NEEDLE VALVE	1
5	55113	RELIEF VALVE	1

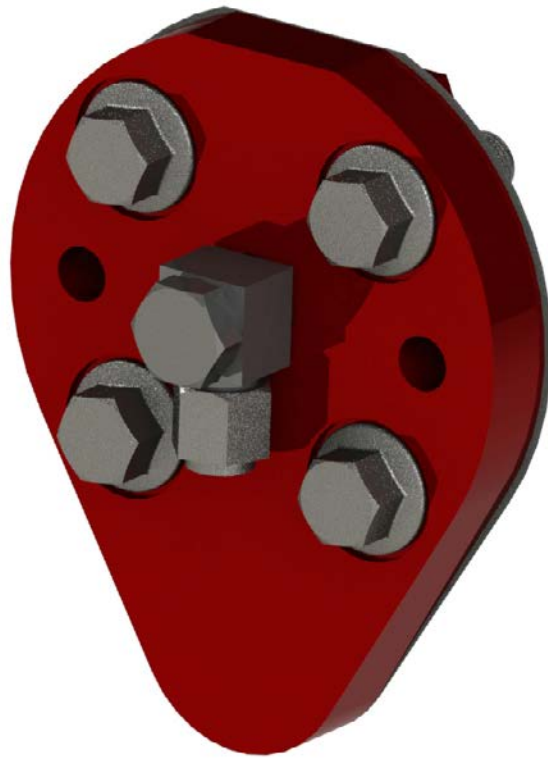
## HAND PUMP 1/4" HOSE ASSEMBLY 150FT IN 50FT SECTIONS



\*each part number links to web site part

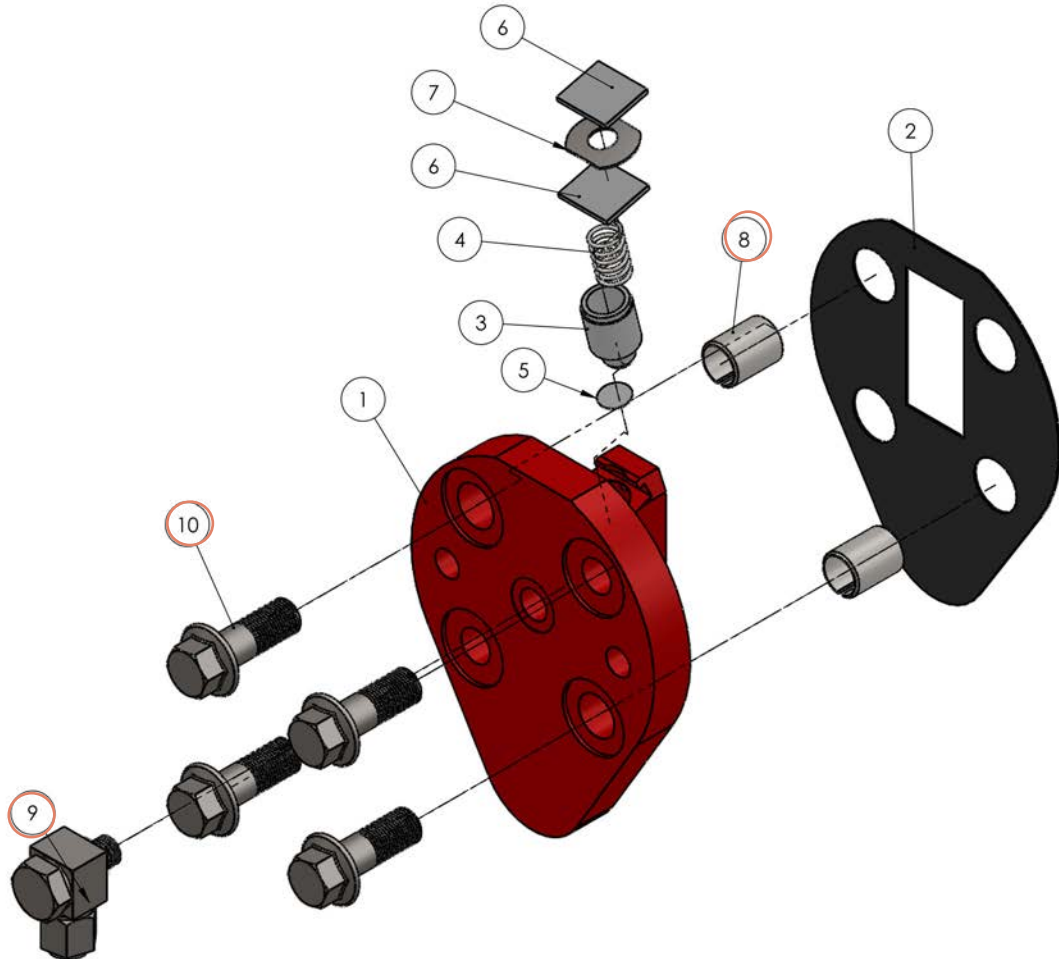
ITEM NO.	PART NUMBER	DESCRIPTION	QTY.
1	55133	1/4" COUPLER NPFT SCREW TYPE QUICK DISCONNECT FEMALE	2
2	55134	1/4" 3000 SERIES NIPPLE NPFT SCREW TYPE QUICK DISCONNECT MALE	2
3	8000440	4 FEMALE JIC TO 4 FEMALE JIC 1/4 HOSE 50FT	3
4	55137	4 JIC MALE TO 4 JIC MALE STRAIGHT ADAPTER	2
5	8001067	1/4 NPT MALE TO 1/4 JIC MALE STRAIGHT ADAPTER	2

# ***Fuel Injection***



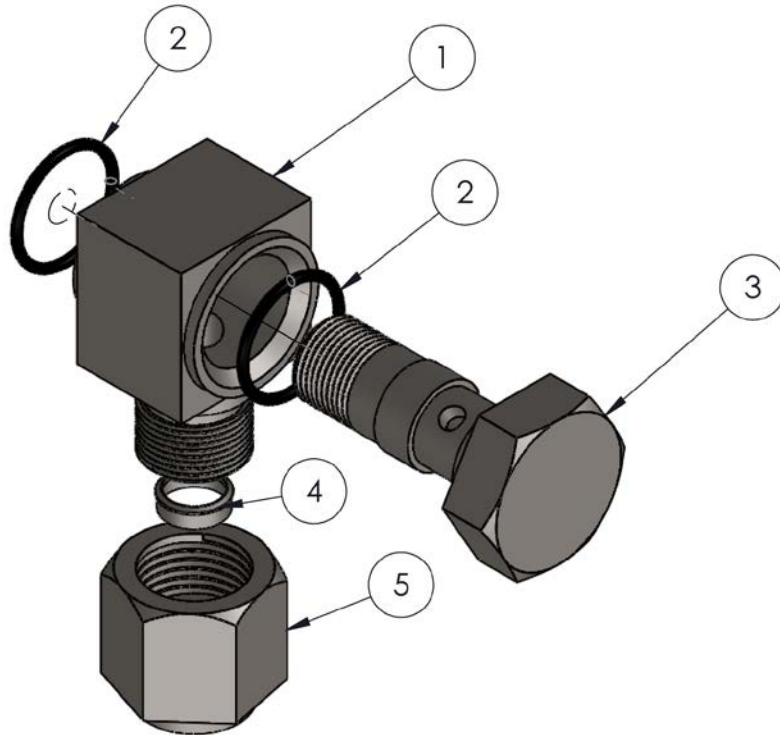


## Fuel Injection Valve Complete



\*each part number links to web site part

ITEM NO.	PART NUMBER	DESCRIPTION	QTY.
1	63841	INJECTION PLATE	1
2	45647	GASKET	1
3	63843	VALVE PISTON	1
4	97569	PRESSURE SPRING	1
5	97573	ADJUSTING WASHER	1
6	64460	LOCKING PLATE	2
7	64461	SPRING WASHER	1
8 <b>sold separately</b>	95633	DOWEL PIN 21 X 28 DIN 7346	2
9 <b>sold separately</b>	97038	THREADED PIPE JOINT (UNION)	1
10 <b>sold separately</b>	95639	LOCKING SCREW M16 X 45	4

**Threaded Pipe Joint  
Complete**


**NOTE:** ITEM SHOULD BE REPLACED WITH  
NEW PIPE JOINT COMPLETE WHEN  
REMOVED FOR SERVICING

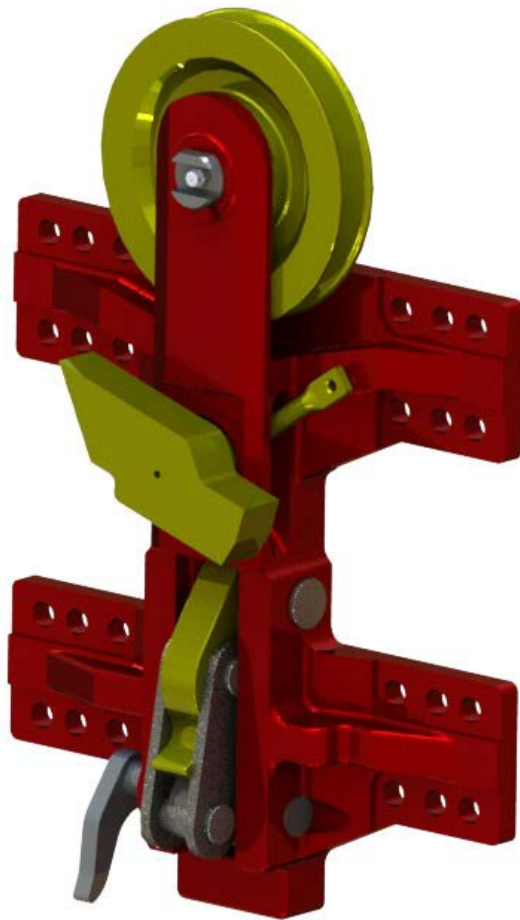
**#1 SOLD COMPLETE**

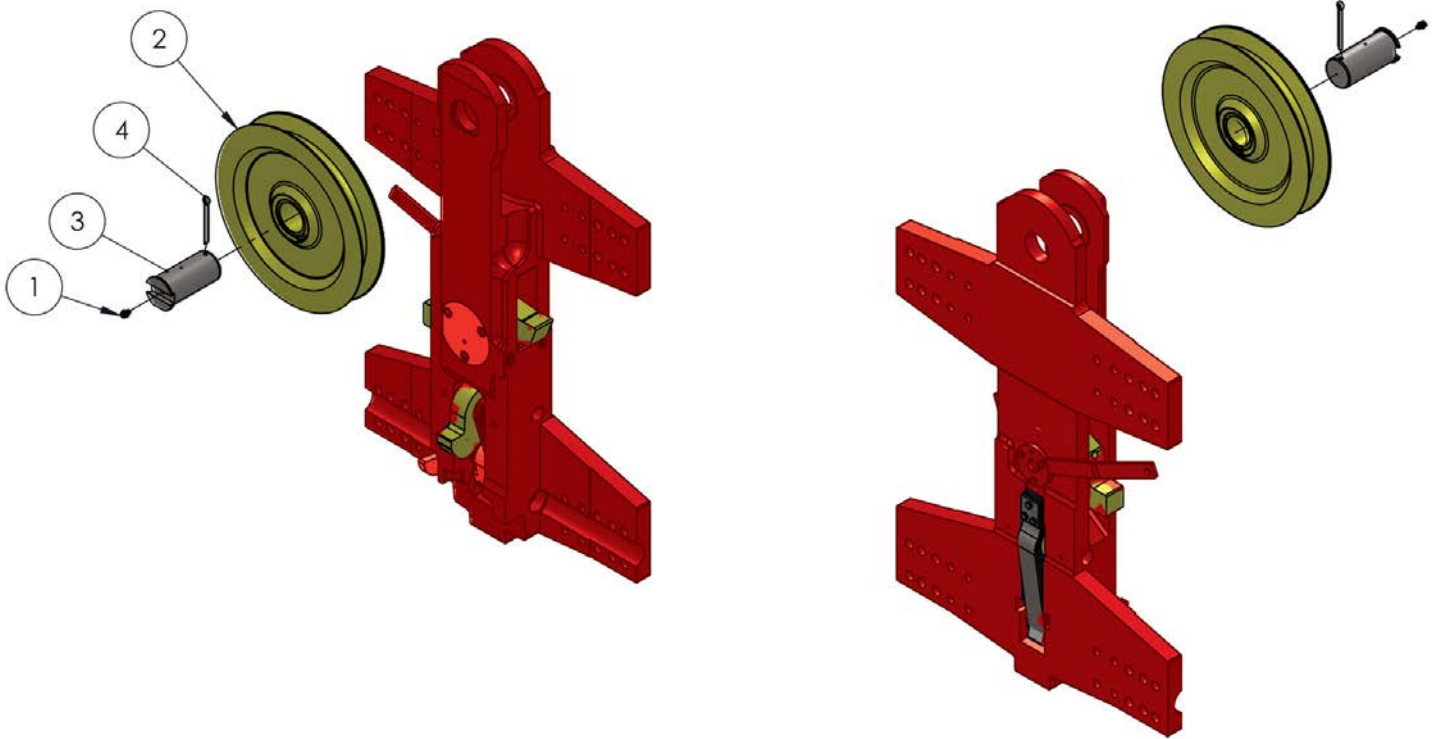
*\*each part number links to web site part*

ITEM NO.	PART NUMBER	DESCRIPTION	QTY.
<b>1</b>	<b>97038</b>	THREADED PIPE JOINT	<b>1</b>
2	97258	O RING 17 X 1.5	2
3	210405	HOLLOW SCREW	1
<b>4</b>	<b>90127</b>	OLIVE	<b>1</b>
<b>5</b>	<b>204012</b>	UNION NUT M16X1.5	<b>1</b>

**SOLD  
TOGETHER**

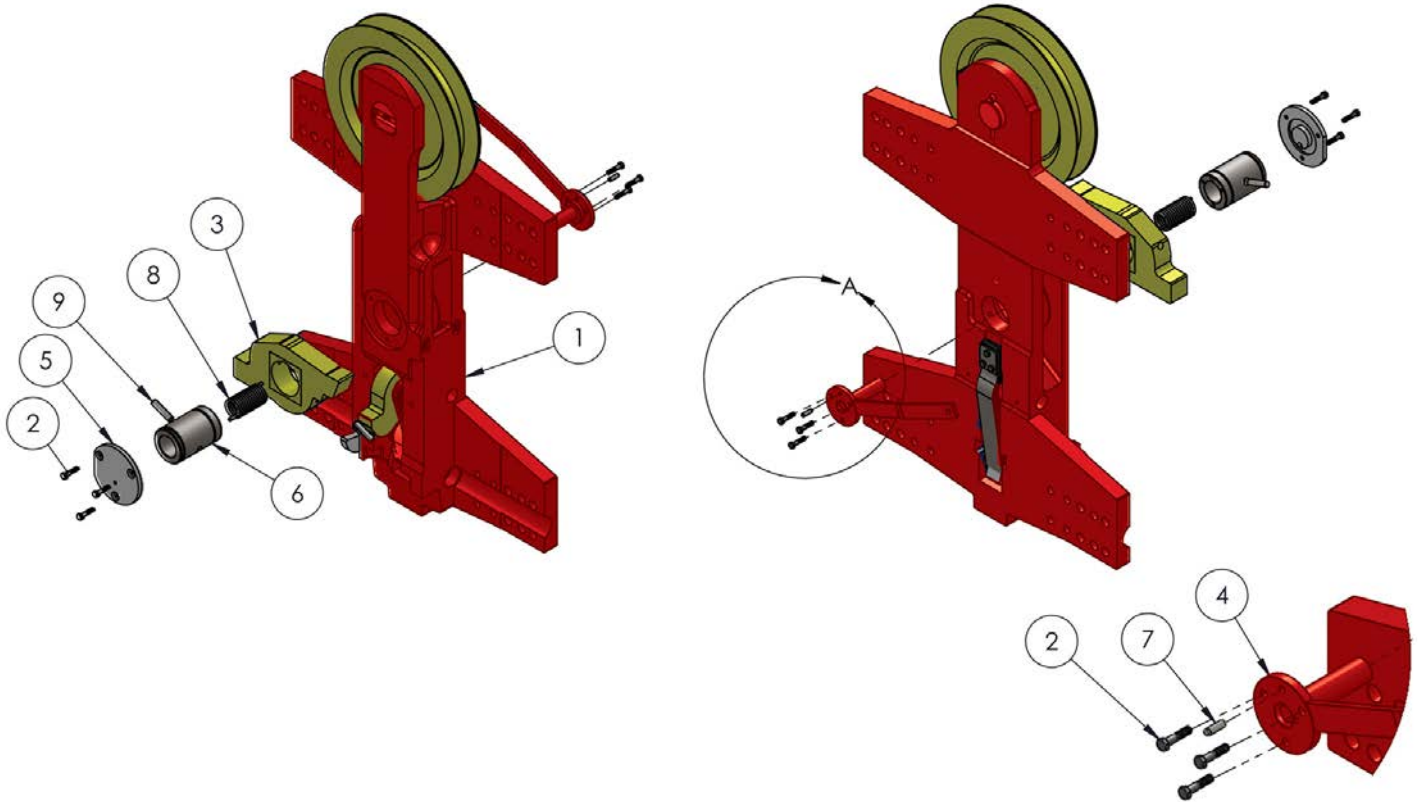
# ***Starting Device (Trip)***



**Manual Starting Device (Trip)  
Complete**


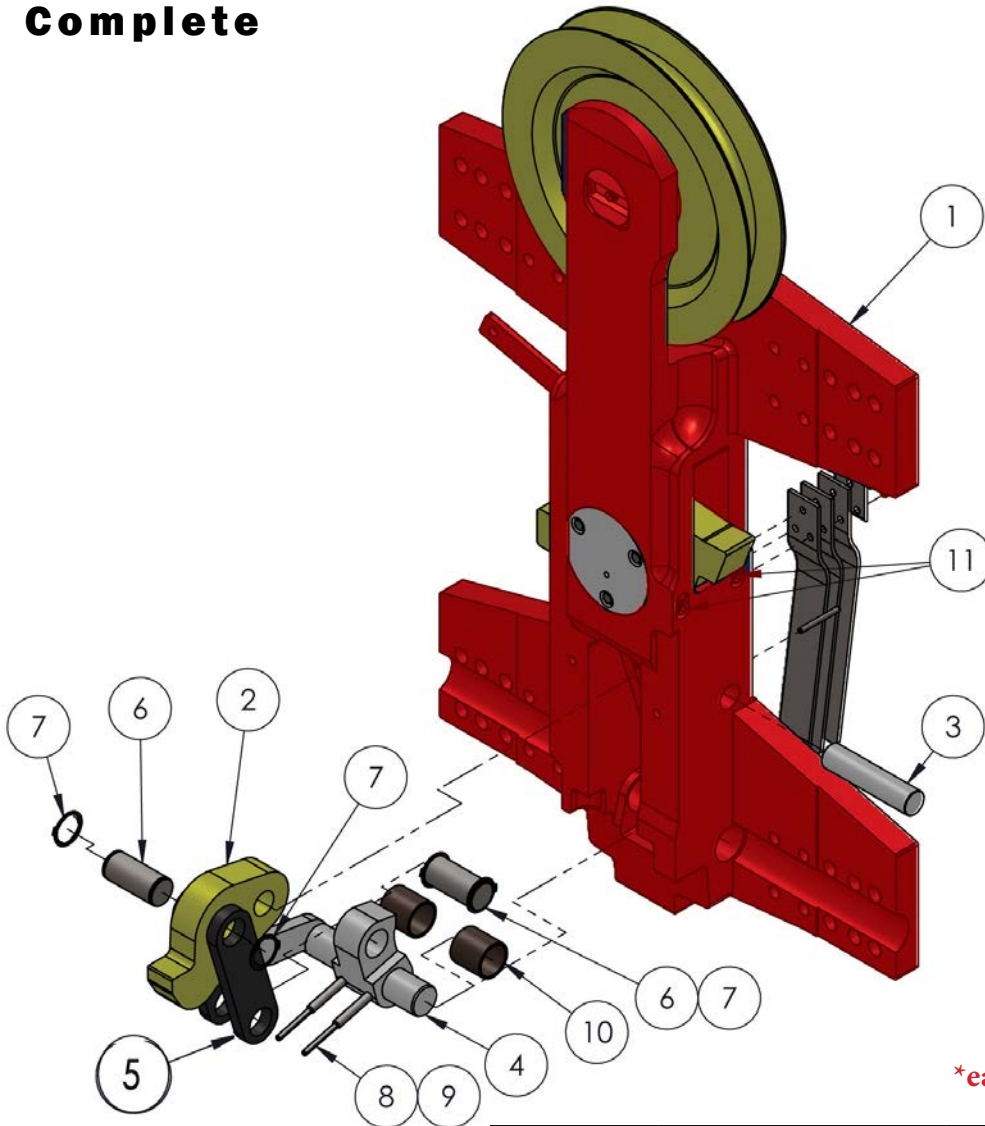
\*each part number links to web site part

ITEM NO.	PART NUMBER	DESCRIPTION	QTY.
1	90791	GREASE NIPPLE M10 X 1	3
2	205021	ROPE PULLEY	1
3	104946	SHEAVE PIN	1
4	95274	10 X 112 COTTER PIN	1

**Manual Starting Device (Trip)  
Complete**


\*each part number links to web site part

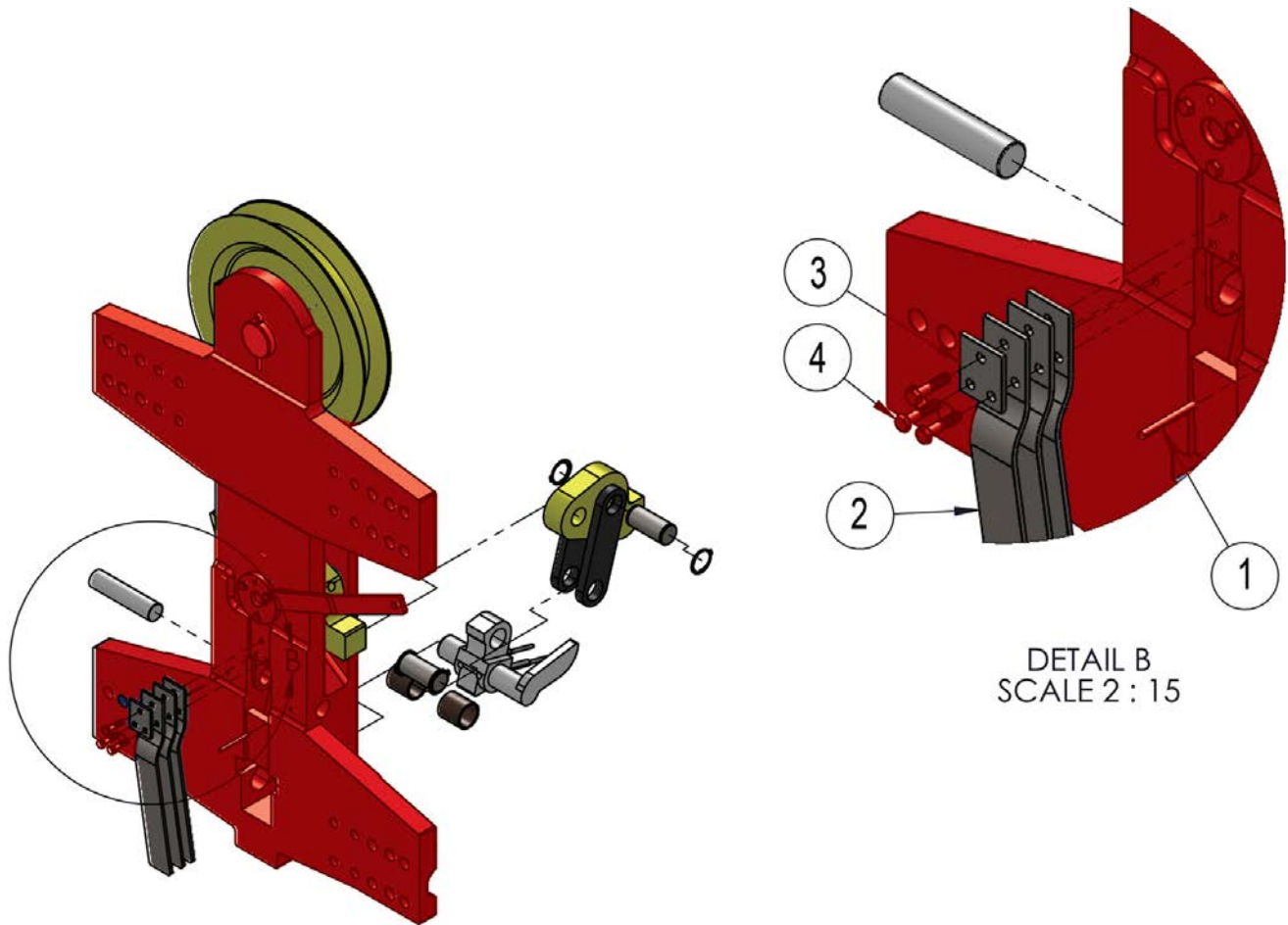
ITEM NO.	PART NUMBER	DESCRIPTION	QTY.
1	104945	GUIDE BODY TRIP BODY	1
2	205022	10MM-1.5 X 45 SERRATED FLANGE HEX LOCKING SCREW	6
3	104925	CARRIER	1
4	104928	LEVER	1
5	104927	COVER	1
6	104926	SHAFT	1
7	90231	DOWEL PIN 10 X 32	1
8	104943	TORSION SPRING	1
9	90874	DOWEL PIN 16 X 70	1

**Manual Starting Device (Trip)  
Complete**


\*each part number links to web site part

ITEM NO.	PART NUMBER	DESCRIPTION	QTY.
1	104945	GUIDE BODY TRIP BODY	1
2	16921	PAWL	1
3	104944	PIN	1
4	104952	TRIP CAM WITH LEVER	1
5	16781	SHACKLE	2
6	16922	JOINT BOLT	2
7	93242	CIRCLIP 45 X 1.75	4
8	95186	ROLL (DOWEL) PIN 8 x 80	4
9	90600	13MM X 80 ROLL PIN	2
10	16916	SLEEVE	2
11	90791	GREASE NIPPLE M10 X 1	3



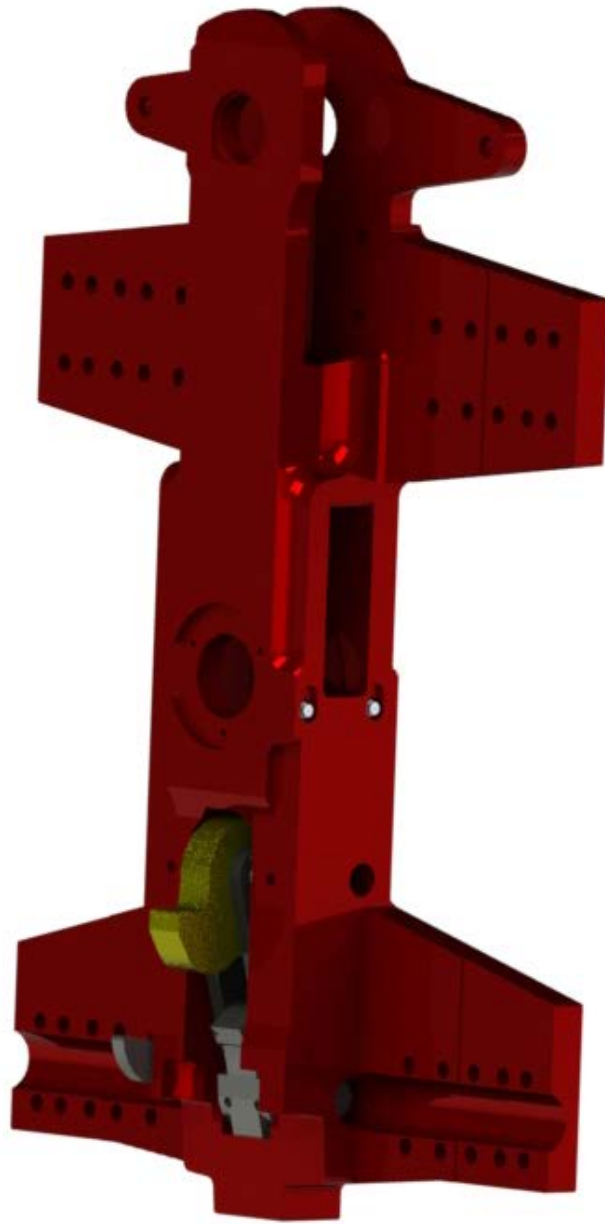
**Manual Starting Device (Trip)  
Complete**


\*each part number links to web site part

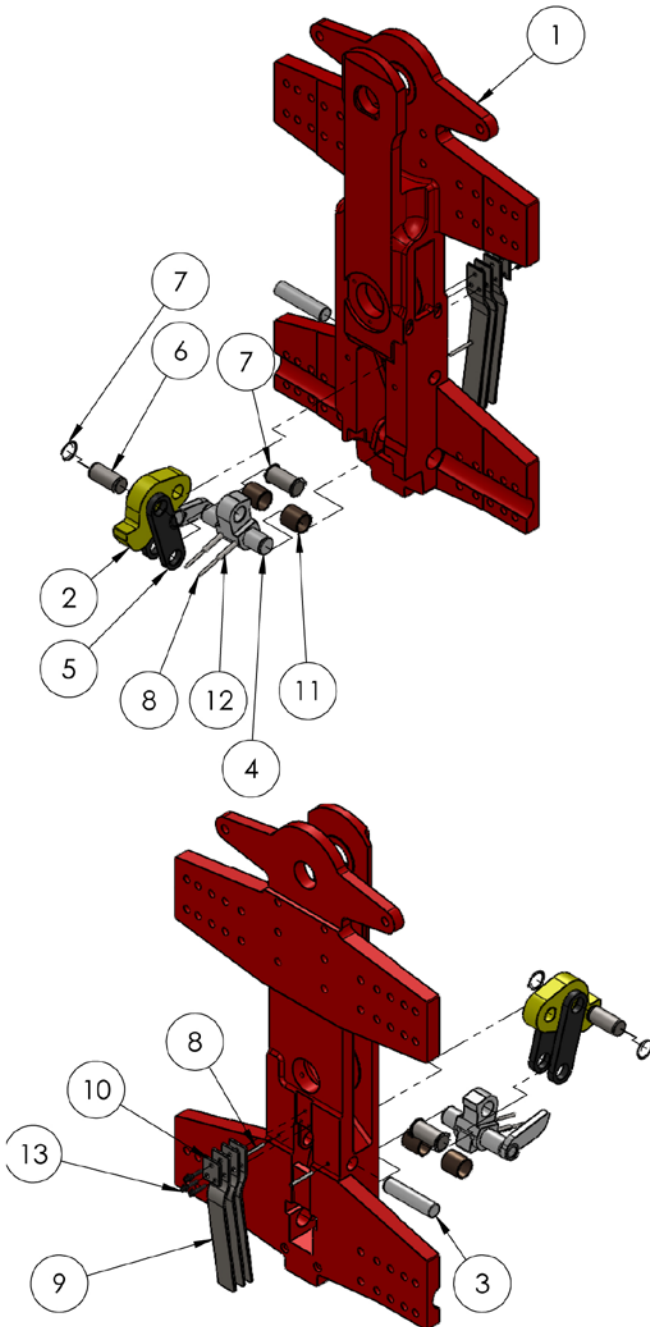
ITEM NO.	PART NUMBER	DESCRIPTION	QTY.
1	95186	ROLL (DOWEL) PIN 8 x 80	4
2	16801	LEAF SPRING	3
3	17045	PLATE	1
4	93414	10-1.5 X 30 HEX HEAD CAPSCREW 8.8	3



# ***Hydraulic Starting Device (Trip)***

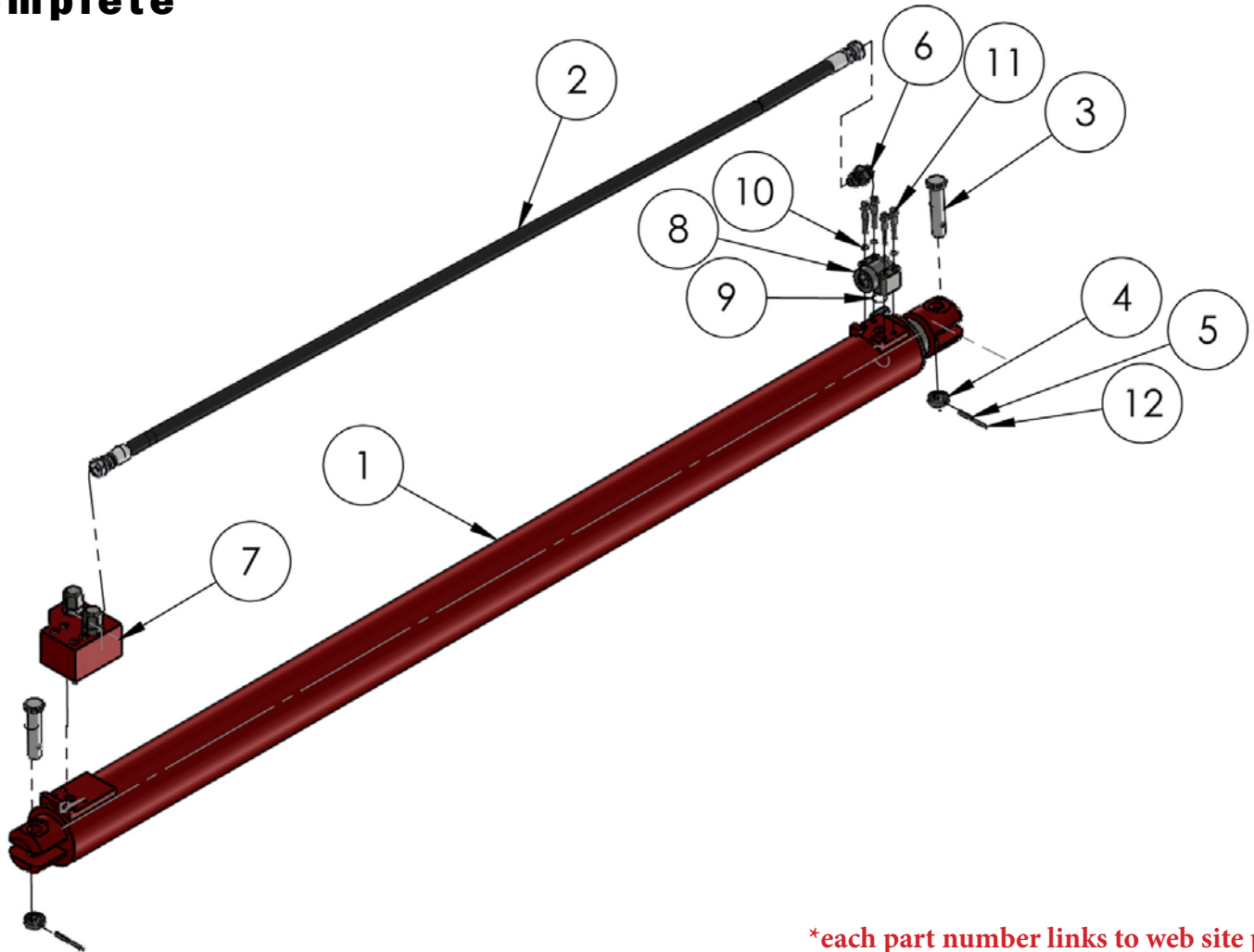


## Hydraulic Starting Device (Trip) Assembly



ITEM NO.	PART NUMBER	DESCRIPTION	QTY.
1	104923	GUIDE BODY	1
2	16921	PAWL	1
3	104944	PIN	1
4	104952	PAWL LEVER	1
5	16781	SHACKLE	2
6	16922	JOINT BOLT	2
7	93242	CIRCLIP 45 X 1.75	4
8	95186	ROLL PIN 8 x 80	4
9	16801	LEAF SPRING	3
10	17045	PLATE	1
11	16916	SLEEVE	2
12	90600	ROLL PIN 13 x 80	2
13	205022	10MM-1.5 X 45 SERRATED FLANGE HEAD CAPSCREW	3

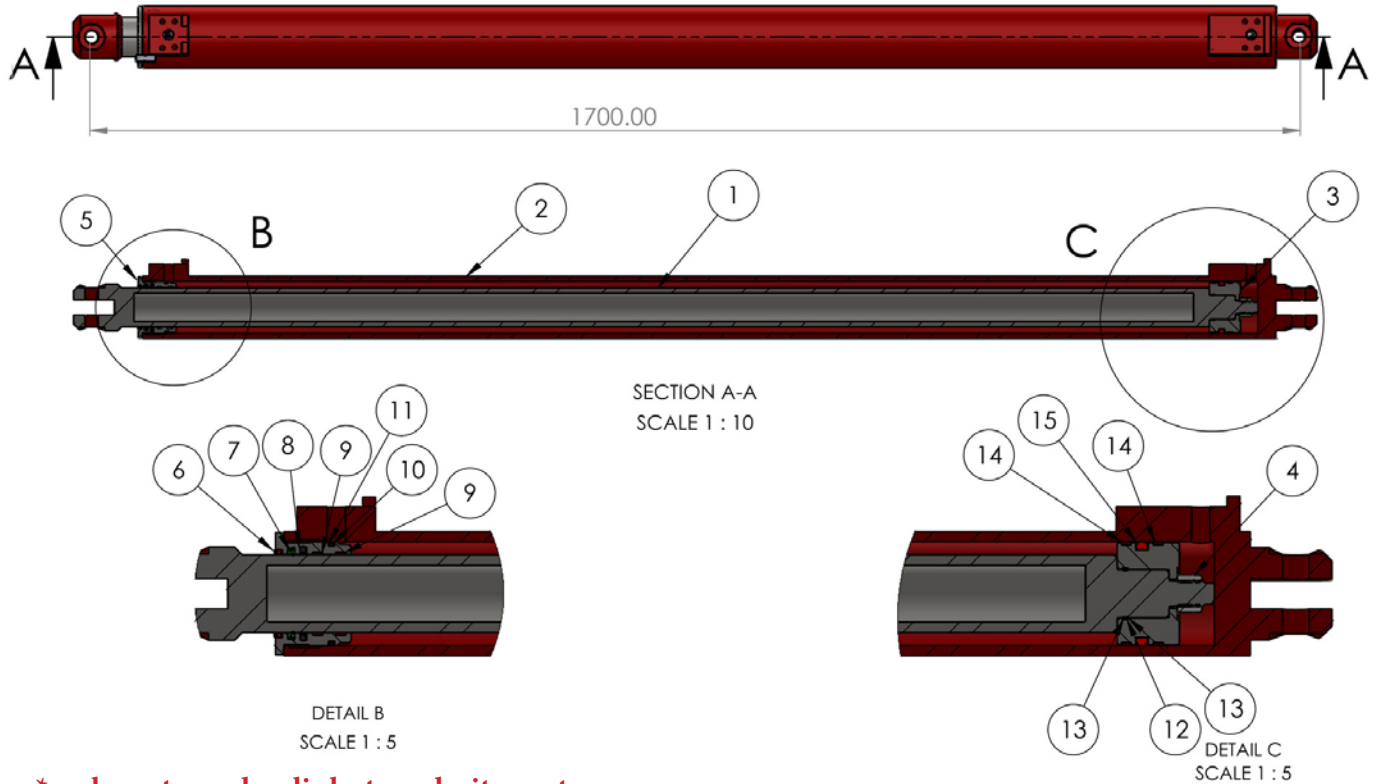
## Hydraulic Cylinder Complete



\*each part number links to web site part

ITEM NO.	PART NUMBER	DESCRIPTION	QTY.
1	205123	D36 HYDRAULIC START CYLINDER	1
2	205124	1700MM HOSE	1
3	8000909	PIN	2
4	8000910	LOCKING RING	2
5	8000911	8MM X 35 ROLL PIN	2
6	203124	3/4-1 1/16 - 12 JIC Straight Thread Connectors 37 ° Flare /SAE-ORB 12 F50X	1
7	203176	LOWER HYDRAULIC BLOCK ASSEMBLY	1
8	203173	W184-12-12 ANCHOR FLANGE	1
9	203172	O-RING 2-214 24.99 X 3.53	1
10	207116	10MM HI COLLAR LOCK WASHER	4
11	203174	10MM X 55 SOCKET HEAD CAP SCREW	4
12	8000912	5MM X 38MM ROLL PIN	2

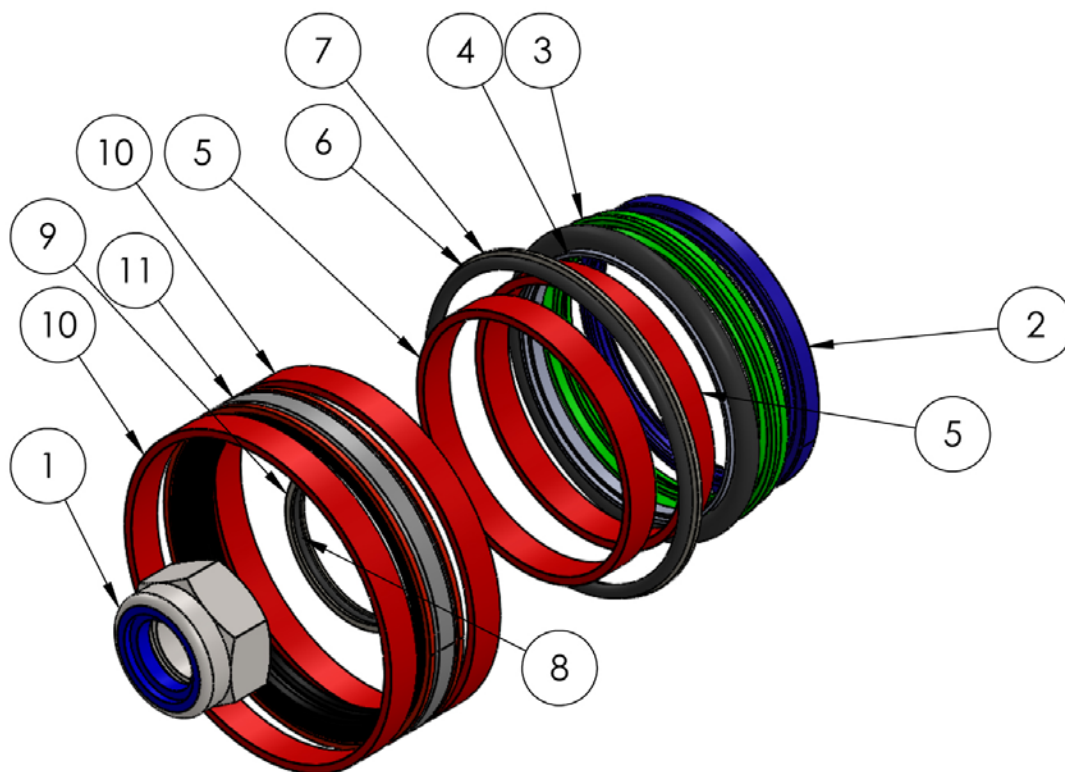
# Hydraulic Cylinder Assembly



\*each part number links to web site part

ITEM NO.	PART NUMBER	DESCRIPTION	QTY.
1	205125	CYLINDER ROD	1
2	205127	CYLINDER SLEEVE	1
3	205128	PISTON	1
4	201104	20MM X 2.5 NYLON INSERT LOCK NUT	1
5	205126	CYLINDER HEAD	1
6	203146	WIPER SEAL	1
7	203162	ROD SEAL	1
8	203163	ROD SEAL	1
9	203164	WEAR RING	2
10	203165	2-239 91.67X3.53 O-RING	1
11	203166	95X100.5-1.5 BACKING RING	1
12	203167	2-132 44.12×2.62 O-RING	1
13	203168	45×49-1 BACKING RING	2
14	203169	100X95-9.7 GUIDING RING	2
15	203155	100X85X12.5 DOUBLE ACTING PISTON SEAL	1

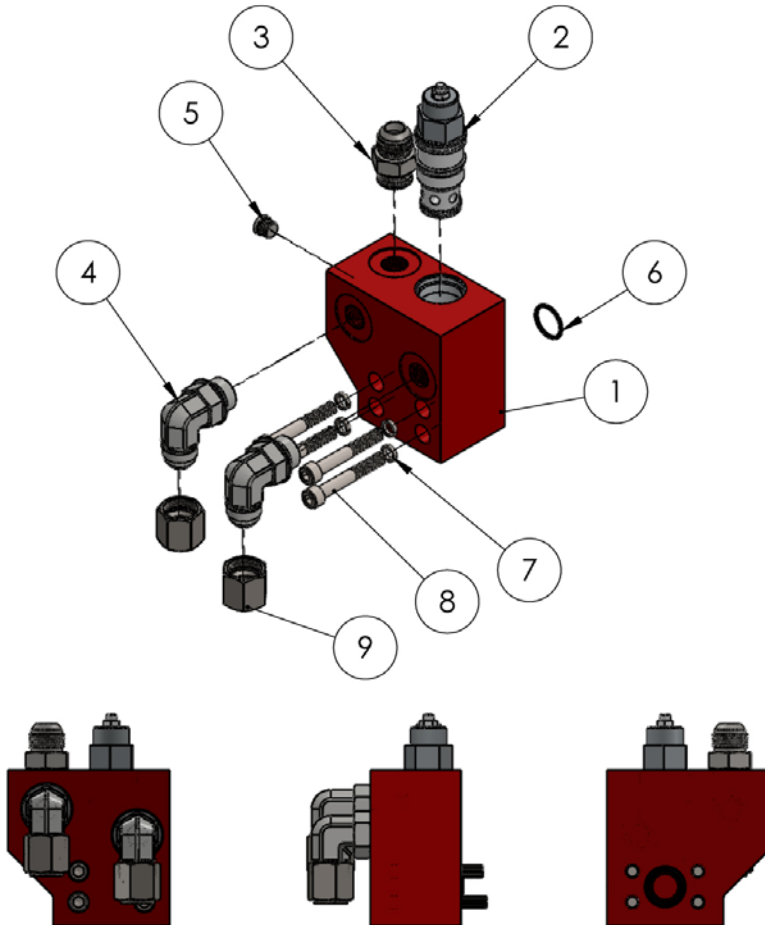
## D36 Hydraulic Start Cylinder Ring Kit



\*each part number links to web site part

ITEM NO.	PART NUMBER	DESCRIPTION	QTY.
1	201104	20MM X 2.5 NYLON INSERT LOCK NUT	1
2	203146	WIPER SEAL	1
3	203162	ROD SEAL	1
4	203163	ROD SEAL	1
5	203164	WEAR RING	2
6	203165	2-239 91.67×3.53 O-RING	1
7	203166	95×100.5-1.5 BACKING RING	1
8	203167	2-132 44.12×2.62 O-RING	1
9	203168	45×49-1 BACKING RING	2
10	203169	100×95-9.7 GUIDING RING	2
11	203155	100×85×12.5 DOUBLE ACTING PISTON SEAL	1

## Counterbalance Valve Assembly



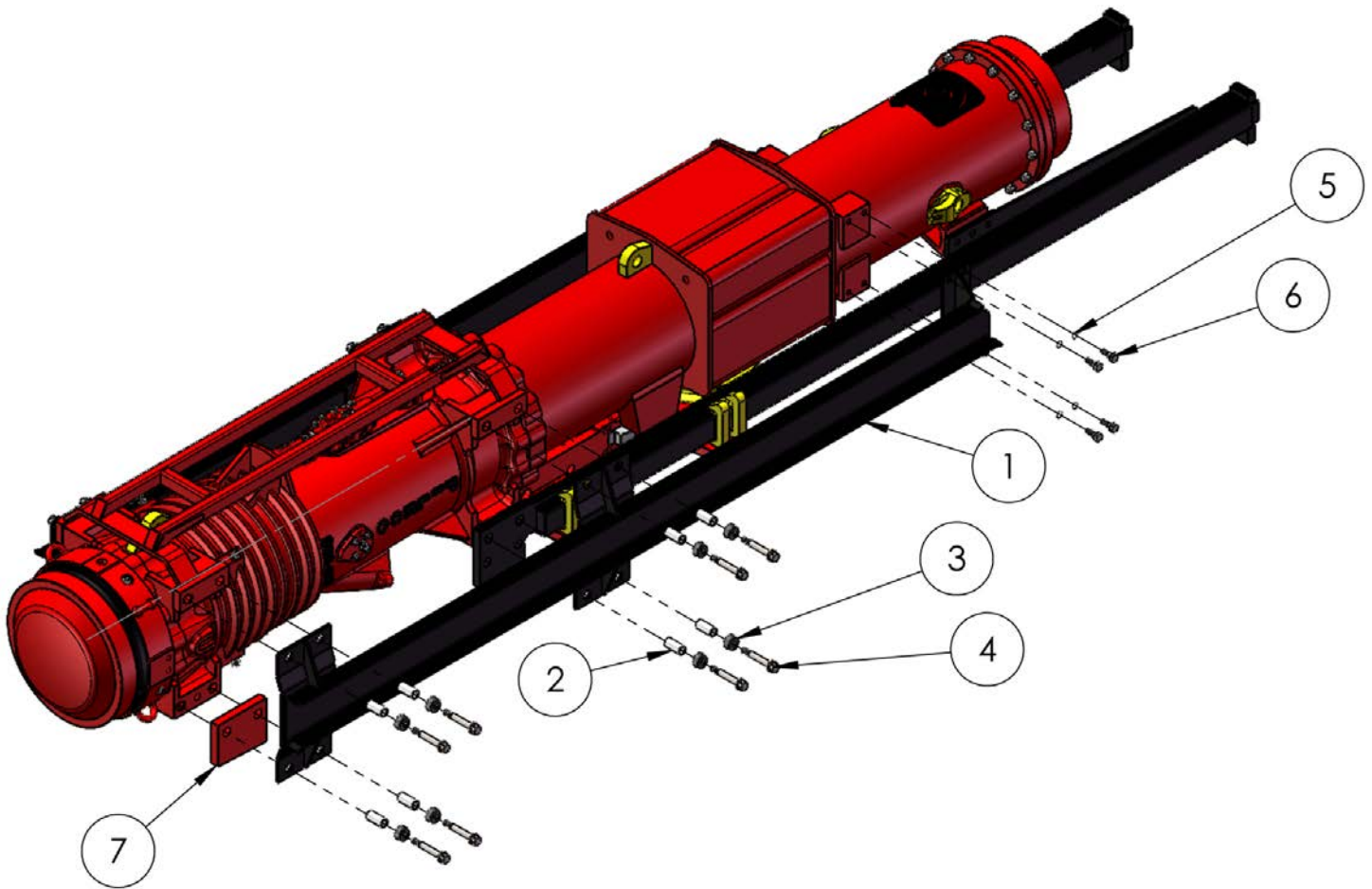
*\*each part number links to web site part*

ITEM NO.	PART NUMBER	DESCRIPTION	QTY.
1	203177	LOWER HYDRAULIC BLOCK/COUNTER BALANCE VALVE	1
2	203122	CBGG-LJN COUNTERBALANCE VALVE	1
3	203124	3/4-1 1/16 - 12 JIC Straight Thread Connectors 37 ° Flare/SAE-ORB 12 F50X	1
4	203112	3/4-1 1/16 - 12 JIC 90 Thread Connectors 37 ° Flare /SAEORB 12 C50X	2
5	203125	G1/4 PLUG	1
6	203172	O-RING 2-214 24.99 X 3.53	1
7	207116	10MM HI COLLAR LOCK WASHER	4
8	207115	10MM-1.5 X 70 SOCKET HEAD CAP SCREW	4
9	203138	12 FNTX-S CAP	2

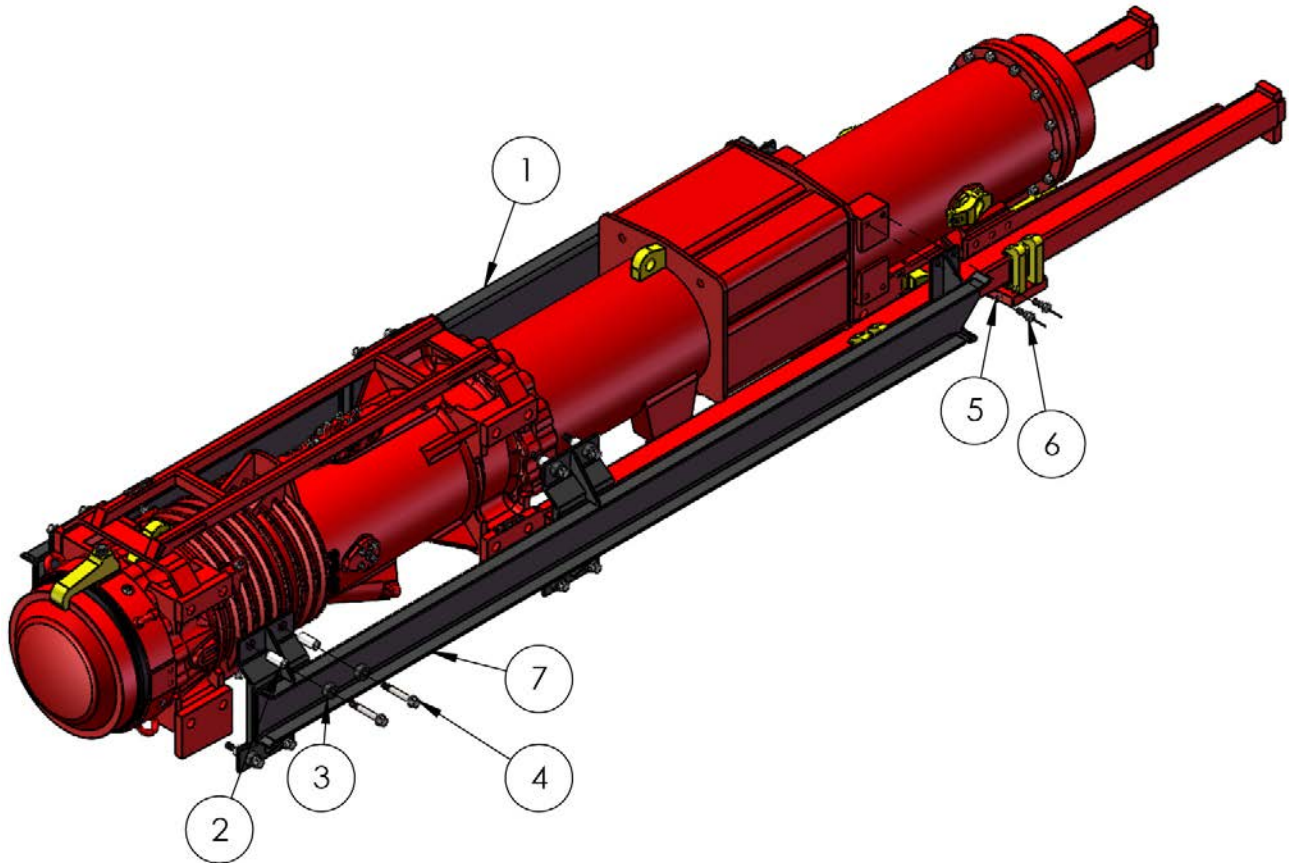
# ***Guides***



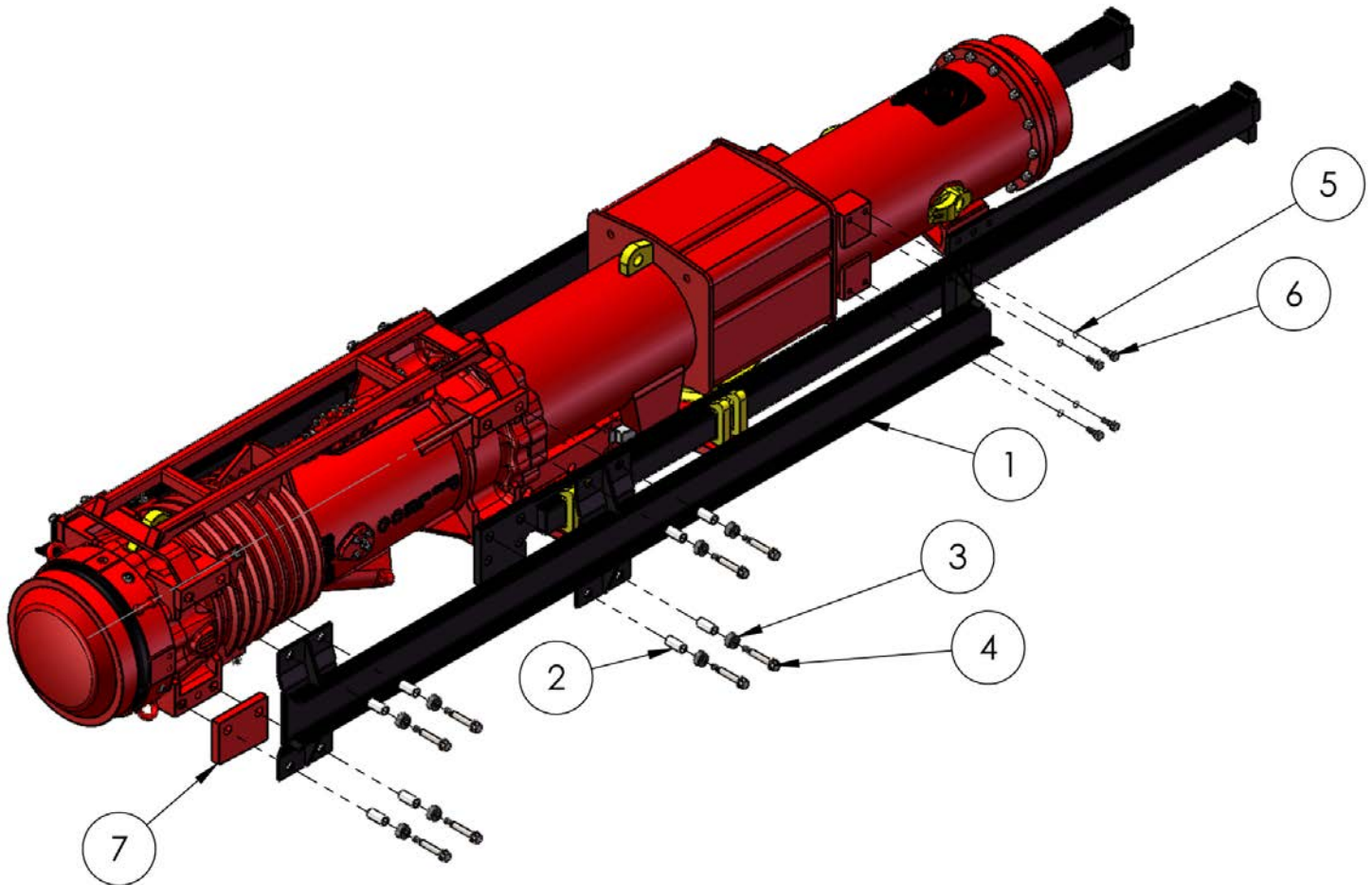


**D36 U-32 X 8 LEAD GUIDING  
Assembly**


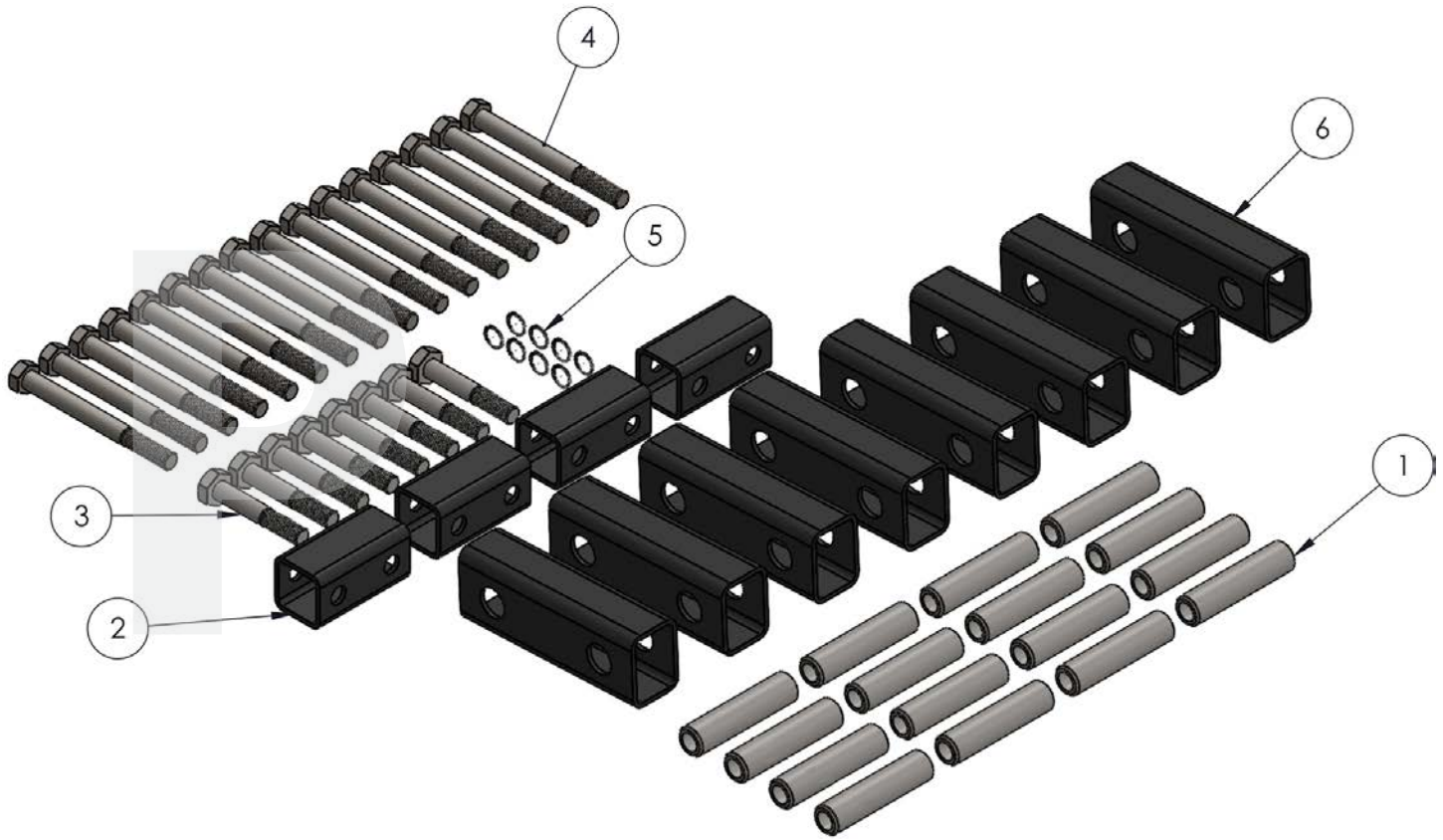
ITEM NO.	PART NUMBER	DESCRIPTION	QTY.
1	205204	D46/36 U-32 GUIDING SET	1
2	95195-A	DOWEL PIN	16
3	39991	SPACER CUP	16
4	20174	M24 X 165 HEX BOLT	16
5	203131	24MM SCHNORR SAFETY WASHER	8
6	22702	24MM-3 X 60 HEX HEAD CAPSCREW	8
7	204202	BLOCK STAND	2

**D36 U-37 X 8 LEAD GUIDING  
Assembly**

**TOTAL WEIGHT APPROX.=798.5**

ITEM NO.	PART NO	DESCRIPTION	QTY.	WEIGHT
1	8004573	U-37 D36/46/50 GUIDING	1	760
2	95195-A	DOWEL PIN	16	2.5
3	203129	SPACER CUP	16	16
4	20174	M24 X 165 HEX BOLT	16	13.5
5	203131	24MM SCHNORR SAFETY WASHER	8	.5
6	22702	24MM-3 X 60 HEX HEAD CAPSCREW	8	6

**D36 U-42 X 8 LEAD GUIDING  
Assembly**


ITEM NO.	PART NUMBER	DESCRIPTION	QTY.
1	205205	U-42 GUIDING FOR D36/46/50	1
2	95195-A	DOWEL PIN	16
3	39991	SPACER CUP	16
4	20174	M24 X 165 HEX BOLT	16
5	203131	24MM SCHNORR SAFETY WASHER	8
6	22702	24MM-3 X 60 HEX HEAD CAPSCREW	8
7	204202	BLOCK STAND	2

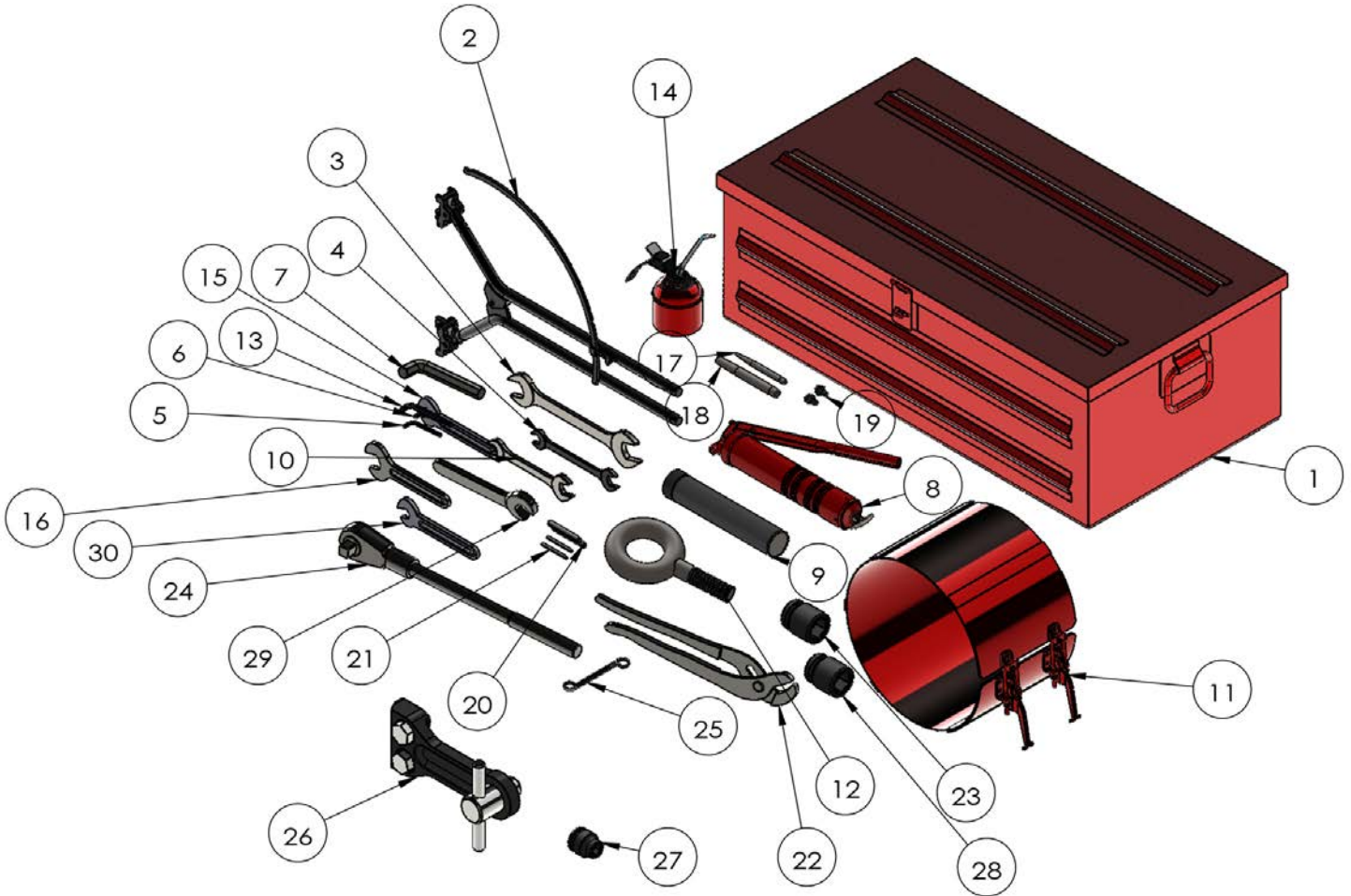
**SPACER BLOCK KIT 6"**  
**Assembly**


*\*each part number links to web site part*

ITEM NO.	PART NUMBER	DESCRIPTION	QTY.
1	95195-B	DOWEL PIN	16
2	8002819	3 X 3 X 1/4 SQ TUBE	4
3	8001586	24-3.0MM X140 HEX HEAD CAP SCREW 10.9	8
4	8001577	24-3.0MM X 240 HEX HEAD CAPSCREW 10.9	16
5	203131	24MM SCHNORR SAFETY WASHER	8
6	8002818	3 X 4 X 1/4 RECTANGLE TUBE	8



**Tool Box  
Complete**



**Tool Box  
Complete**

ITEM NO.	PART NUMBER	DESCRIPTION	QTY.
1	8002385	TOOL BOX PART	1
2	16897	PISTON RING FITTING PLIERS COMPLETE	1
3	90655	30 X 32 DOUBLE ENDED OPEN WRENCH	1
4	92015	17 X 19 DOUBLE ENDED OPEN WRENCH	1
5	90055	5MM HEX KEY	1
6	90862	6MM HEX KEY	1
7	90194	19MM HEX KEY	1
8	90795	GREASE GUN, 14 OZ	1
9	93551	MOLYLUBE GREASE	1
10	90443	19 X 22 OPEN END WRENCH	1
11	22695	PISTON RING BAND	1
12	93343	M48 RING SCREW	1
13	90657	8MM HEX KEY	1
14	93600	OIL CAN	1
15	95071	17MM WRENCH SINGLE OPEN END	1
16	90465	27MM SINGLE ENDED OPEN WRENCH	1
17	90354	PUNCH 4/8 DIAMETER	1
18	93349	PUNCH 12/16 DIAMETER	1
19	90791	GREASE NIPPLE M10 X 1	2
20	91321	10MM X 75 ROLL PIN	2
21	90160	6MM X 60 ROLL PIN	2
22	90785	PLIERS A19	1
23	94461	IMPACT SOCKET 36MM	1
24	90196	RACHET	1
25	95834	WRENCH 22 X 24	1
26	22700	ASSEMBLY PLATE COMPLETE	1
27	205016	IMPACT SOCKET 19MM	1
28	94461	IMPACT SOCKET 36MM	1
29	206006	SINGLE ENDED OPEN SPANNER 36	1
30	90660	13MM WRENCH SINGLE OPEN END	1