

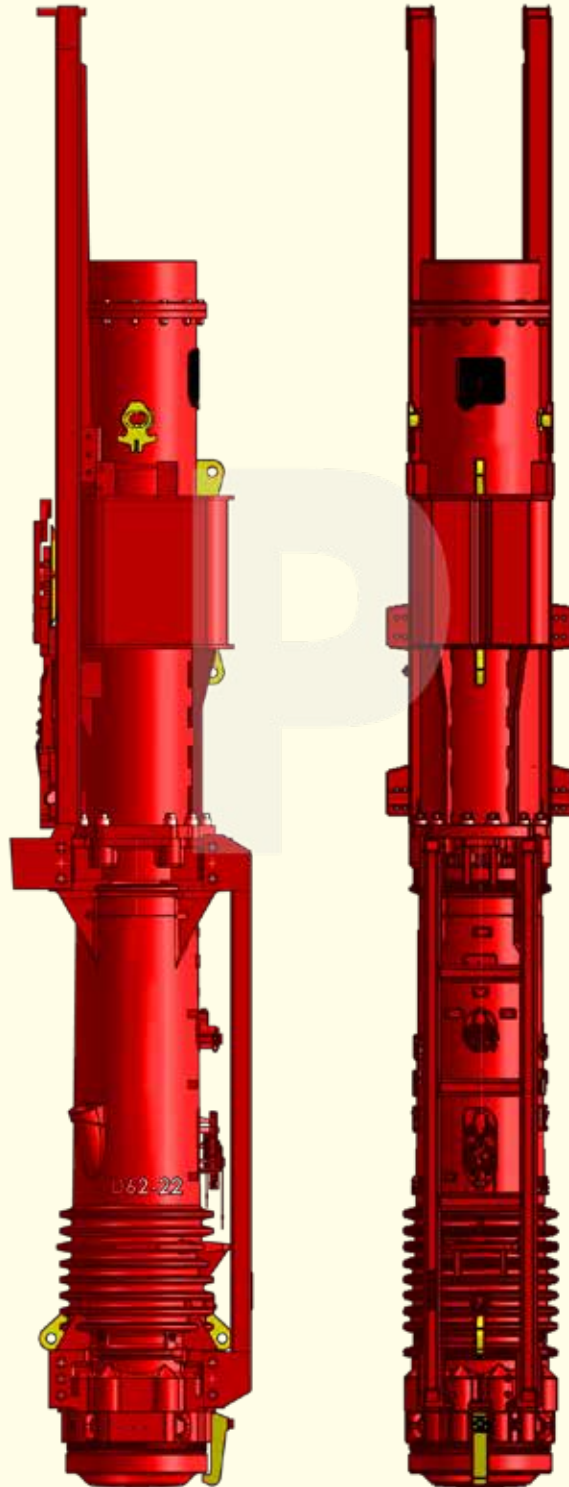


PILECO INC.

Parts Manual

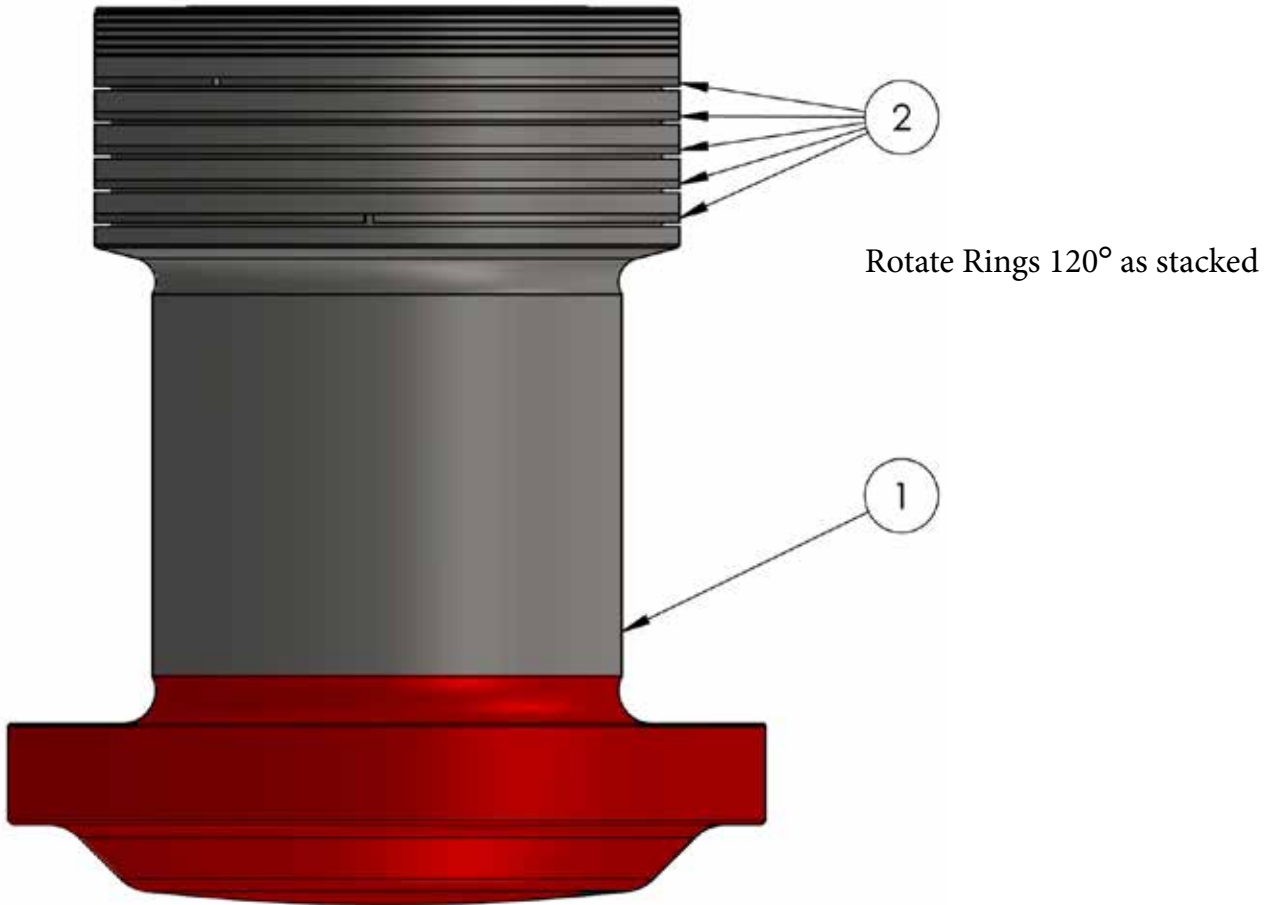
Diesel Pile Hammer **D62-22**

Parts Manual



Contents Page

Impact Block	page #3
Striking Weight Piston	page #4
Lower Cylinder Complete	page #5
Lube Pump	page #6-8
Cylinder Complete	page #9
Pressure Valve	page #10
Piston Complete	page #11
Variable Delivery Fuel Pump	page #12-17
Pump Element 31mm	page #18
Stop Valve Complete	page #19
Suction Valve Complete	page #20
Check Non-Return Valve	page #21
Hydraulic Variable Delivery Fuel Pump	page #22-24
Fuel Pump Control	page #25
Hydraulic Hand Pump	page #26-27
Manifold Complete	page #28
Hand Pump 1/4" Hose assembly	page #29
Fuel Injection Device	page #30-31
Threaded Pipe Joint	page #32
Upper Cylinder Complete	page #33-34
Manual Starting Device (Trip)	page #35-39
Hydraulic Push Start	page #40-42
Hydraulic Starting Device (Trip)	page #43-44
Hydraulic Cylinder Complete	page #45
Hydraulic Cylinder Assembly	page #46
Hydraulic Start-Ring Kit	page #47
Counter Balance	page #48
Guiding Hardware Kit	page #50
D62 U-32 Lead Guiding Assembly	page #51
D62 U-42 Lead Guiding Assembly	page #52
D62 U-48 Lead Guiding Assembly	page #53
D62 U-54 Lead Guiding Assembly	page #54
D62 U-66 Lead Guiding Assembly	page #55
Tool Box	page #56-58

Impact Block


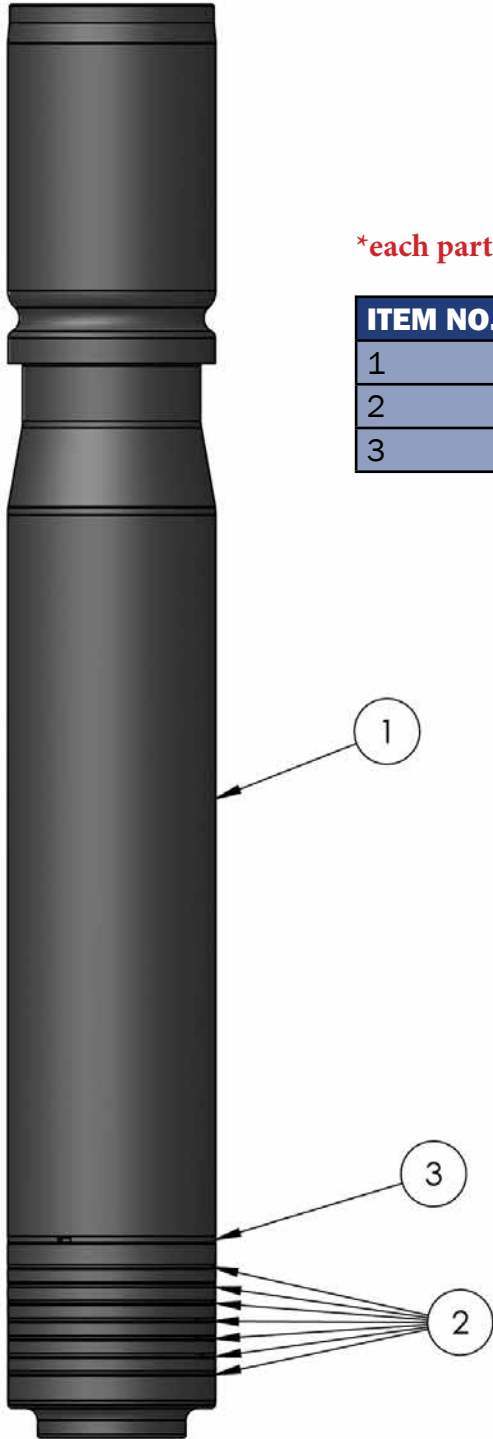
*each part number links to web site part

ITEM NO.	PART NUMBER	DESCRIPTION	QTY.
1	20002	IMPACT BLOCK	1
2	16626	PISTON RING	5

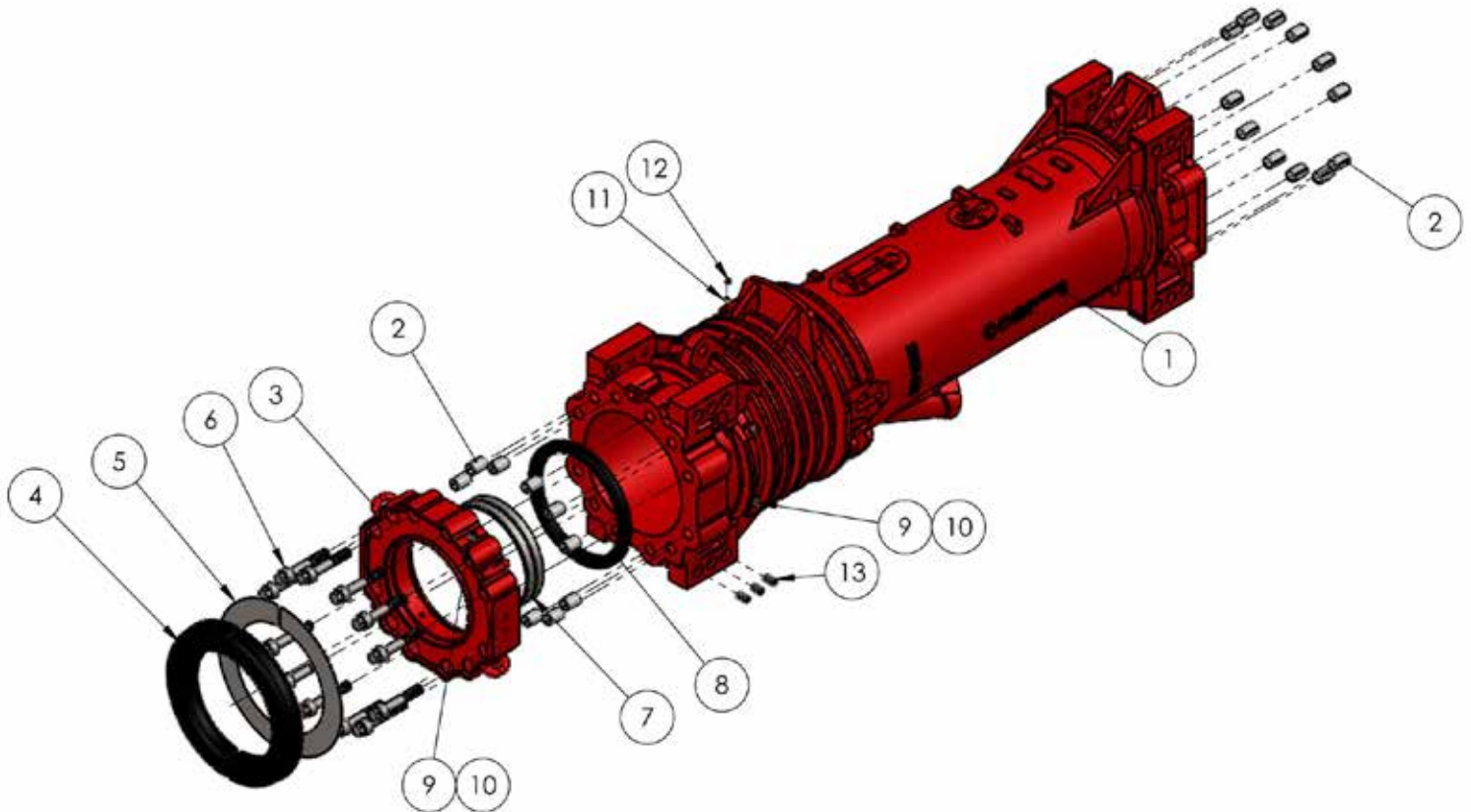
Striking Weight (Piston) Complete

*each part number links to web site part

ITEM NO.	PART NUMBER	DESCRIPTION	QTY.
1	41330	STRIKING WEIGHT(PISTON)	1
2	16626	PISTON RING	7
3	16623	CATCH PISTON RING	1



Lower Cylinder Complete

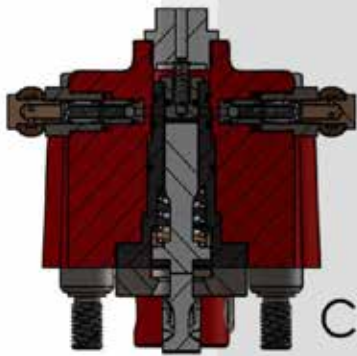


*each part number links to web site part

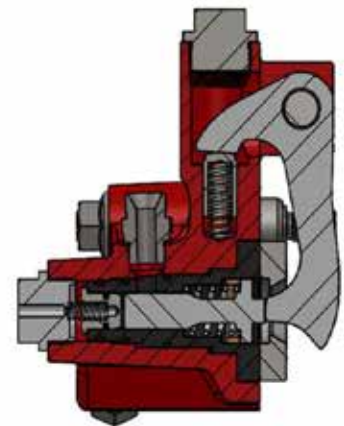
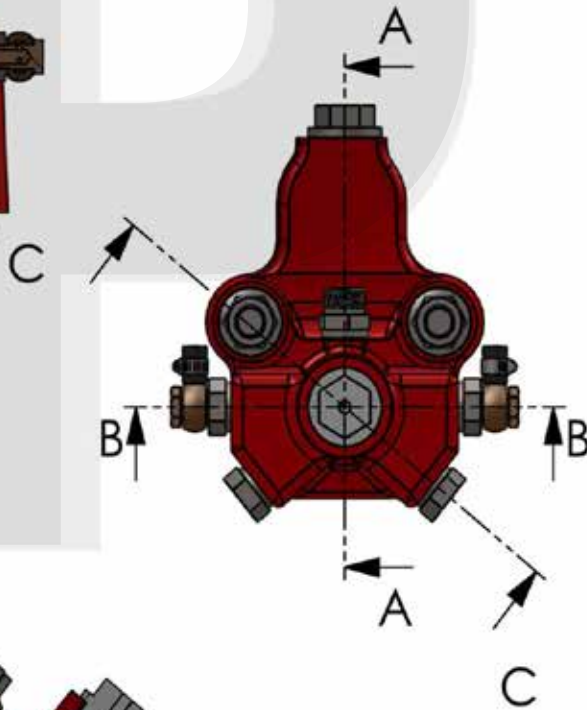
ITEM NO.	PART NUMBER	DESCRIPTION	QTY.
1	100220	LOWER CYLINDER PART	1
2	94281	DOWEL PIN 50 X 80	24
3	103419	OUTER ENDRING COMPLETE 2 PCS	1
4	20036	RUBBER RING (2 PCS)	1
5	206001	RUBBER RING SPACER (2 PCS)	1
6	20038	HEX BOLT M36 X 210	12
7	17325	INNER ENDRING (2 PCS)	1
8	60835	INNER DAMP RING	1
9	22592	REDUCER	6
10	90791	GREASE NIPPLE M10 X 1	6
11	90002	SEALING RING 18 X 22	1
12	91460	M18 X 1.5 DIN 910 HEX PLUG	1
13	95234	THREADED INSERT M30	24



Lube Pump

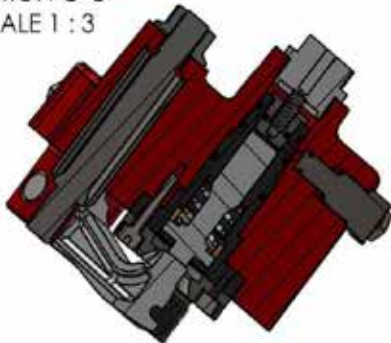


SECTION B-B
SCALE 1 : 3

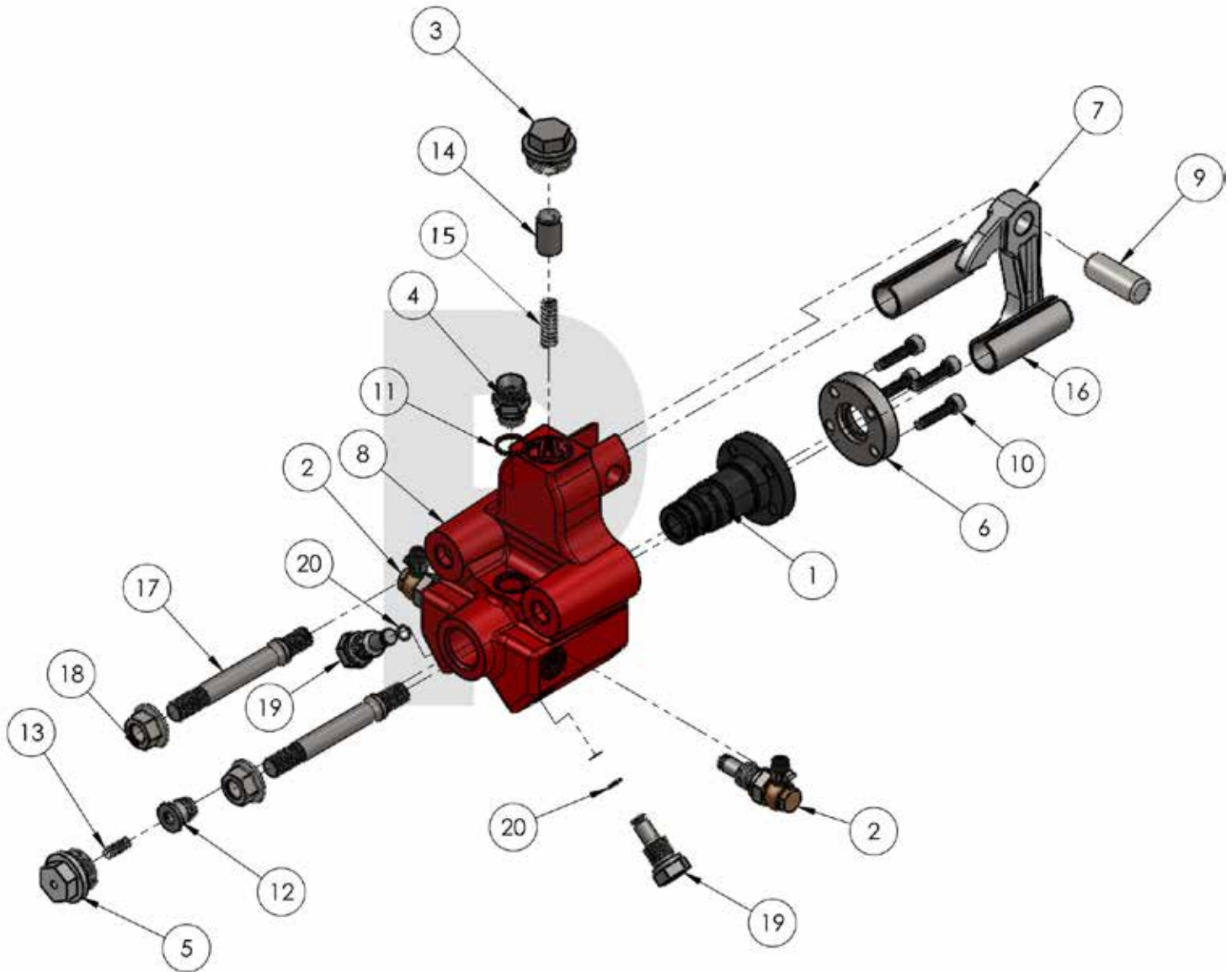


SECTION A-A
SCALE 1 : 3

SECTION C-C
SCALE 1 : 3



**Lube Pump
Complete**

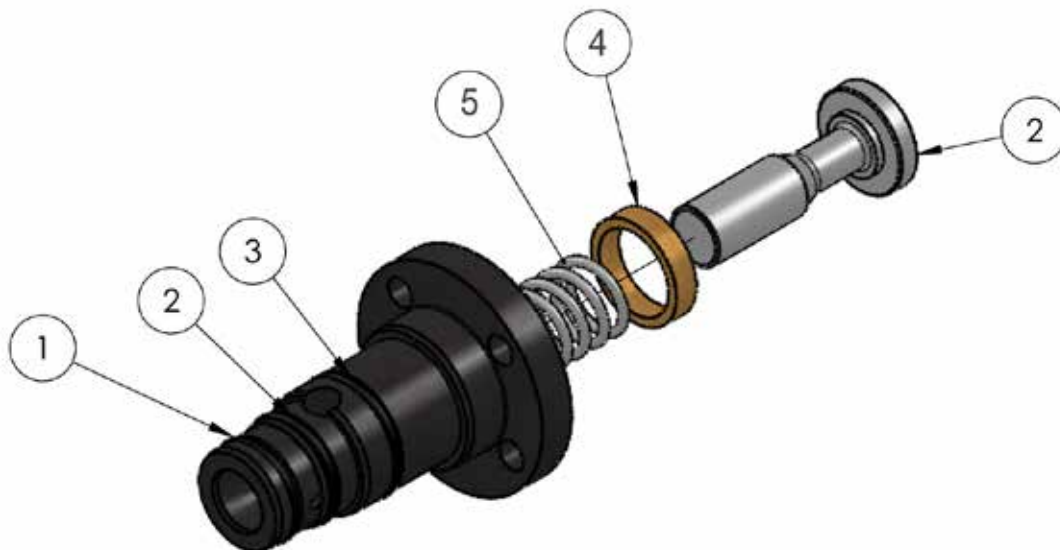


Continued.....

**Lube Pump
Complete**

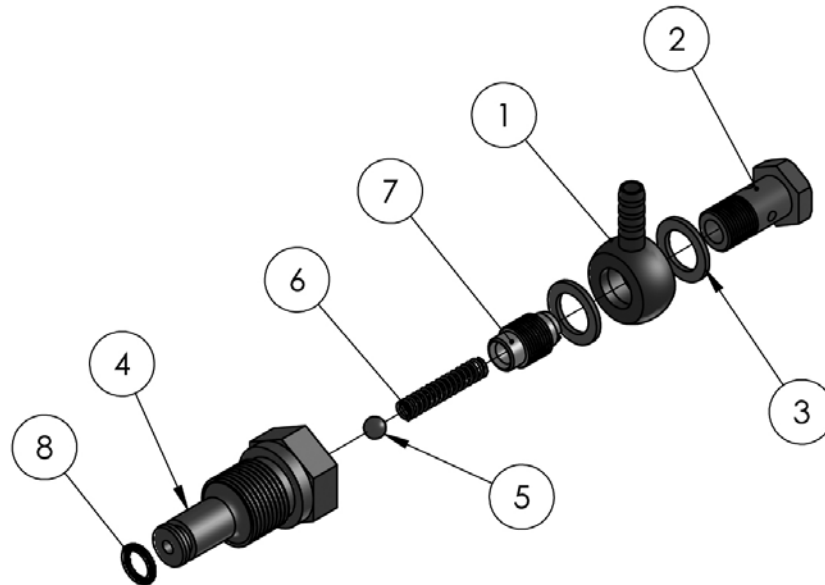
*each part number links to web site part

ITEM NO.	PART NUMBER	DESCRIPTION	QTY.
1	67279	CYLINDER COMPLETE	1
2	108317	PRESSURE VALVE COMPLETE	3
3	91976	PLUG SCREW	1
4	67290	ADAPTER	1
5	108328	PLUG SCREW	1
6	67282	WASHER	1
7	22081	LUBE PUMP LEVER	1
8	108315	LUBE PUMP BODY	1
9	22082	PUMP LEVER PIN	1
10	90937	M8 x 35 DIN 912 8.8	4
11	92031	SEALING RING A20 X 24	1
12	67284	PISTON COMPLETE	1
13	190479	PRESSURE SPRING 7.3 X 29.4 X 1.2	1
14	22090	SLEEVE	1
15	22089	PRESSURE SPRING 10 X 43 X 2	1
16	94315	DOWEL PIN 28 X 80 DIN 7346	2
17	20189	PUMP STUD M16	2
18	94722	M16 WASHER NUT	2
19	108316	PLUG SCREW	1
20	97855	O RING 8 X 2	1

**Lube Pump Cylinder
Complete**


*each part number links to web site part

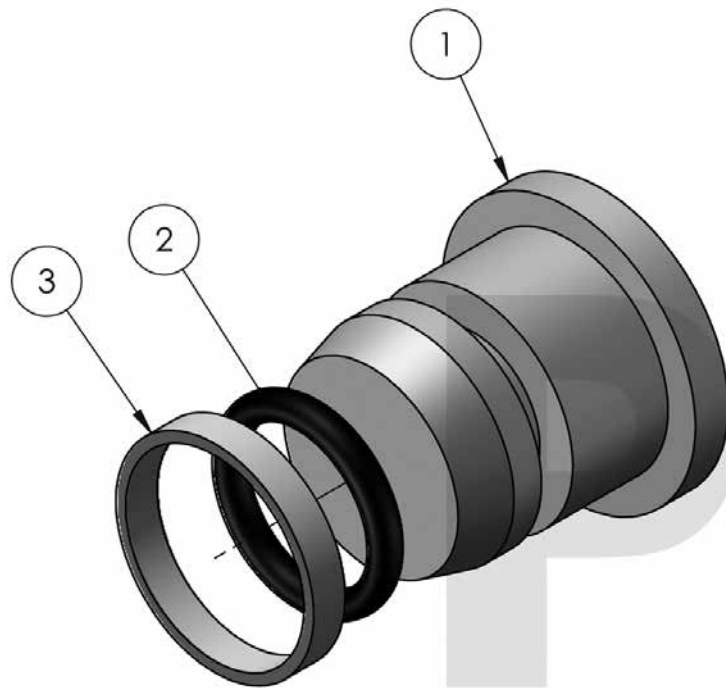
ITEM NO.	PART NUMBER	DESCRIPTION	QTY.
1	205020	O RING 24 X 3	1
2	91357	O RING 26 X 3	1
3	92952	O RING 30 X 3	1
4	67283	RING	1
5	97325	PRESSURE SPRING 22 X 52 X 2, 8	1

**Pressure Valve
Complete**


*each part number links to web site part

ITEM NO.	PART NUMBER	DESCRIPTION	QTY.
1	97949	RING NIPPLE	1
2	97948	HOLLOW SCREW A6 DIN 7623-6.8	1
3	91417	SEALING RING A12 X 15.5 DIN 7603-CU	2
4	108319	ADAPTER	1
5	90307	BALL 6MM DIN 5401	1
6	190005	PRESSURE SPRING 5 X 36 X 0.8	1
7	104679	PLUG SCREW	1
8	97855	8 X 2 O-RING	1

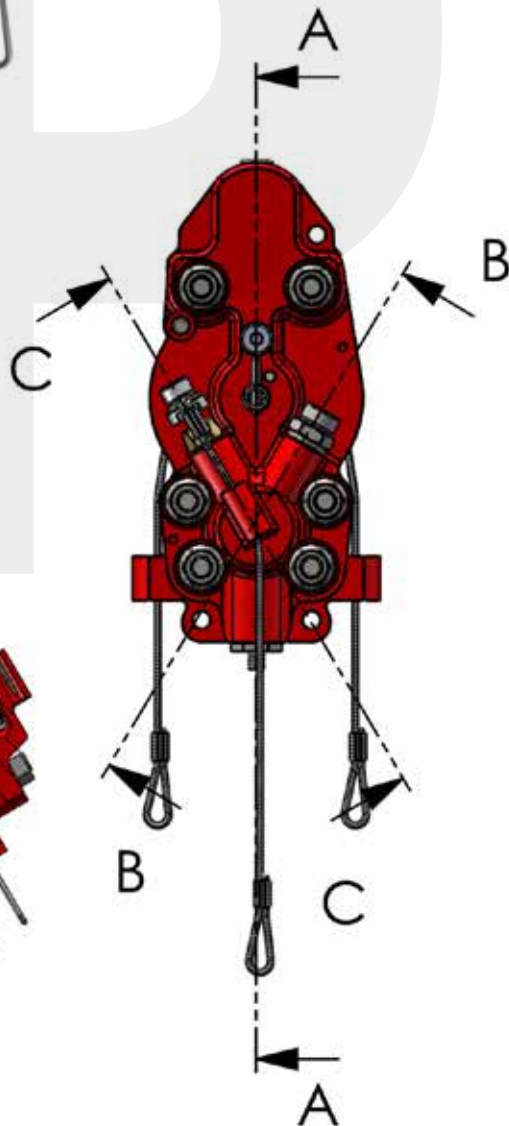
**SOLD
TOGETHER**

**Piston
Complete**

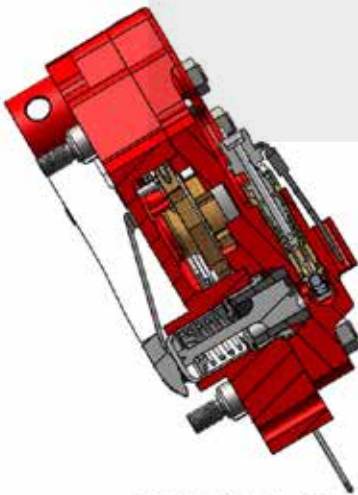
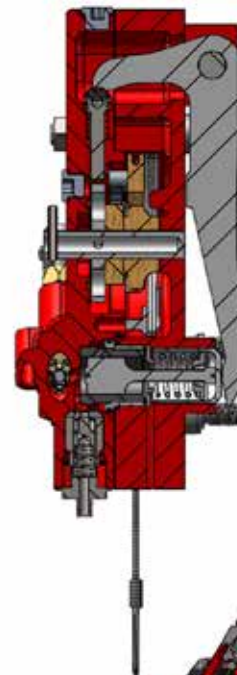
*each part number links to web site part

ITEM NO.	PART NUMBER	DESCRIPTION	QTY.
1	67285	PISTON	1
2	97326	O RING	1
3	97326	SLIP RING	1

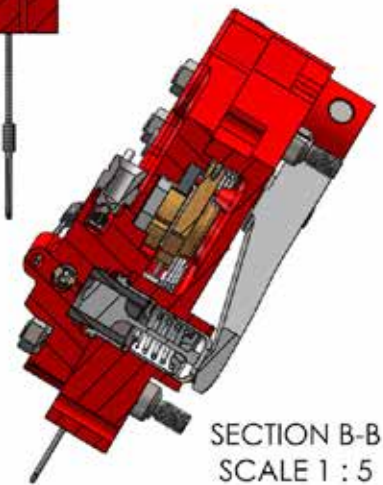
Manual Delivery Fuel Pump



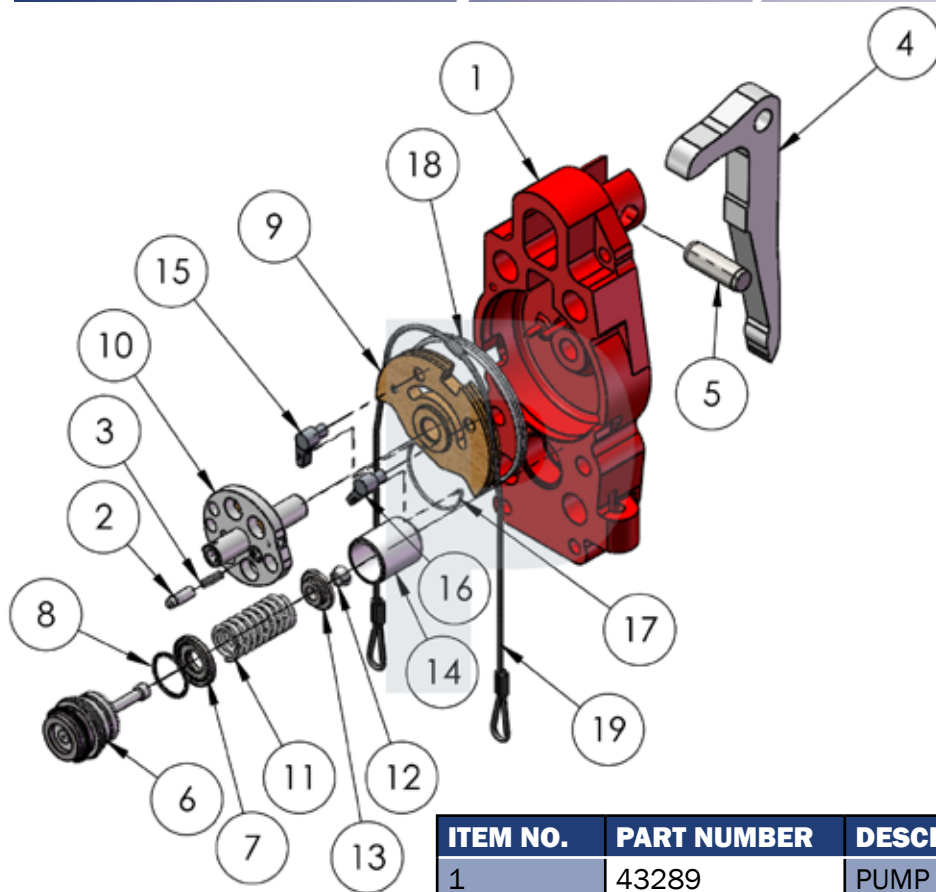
SECTION A-A
SCALE 1 : 5



SECTION C-C
SCALE 1 : 5



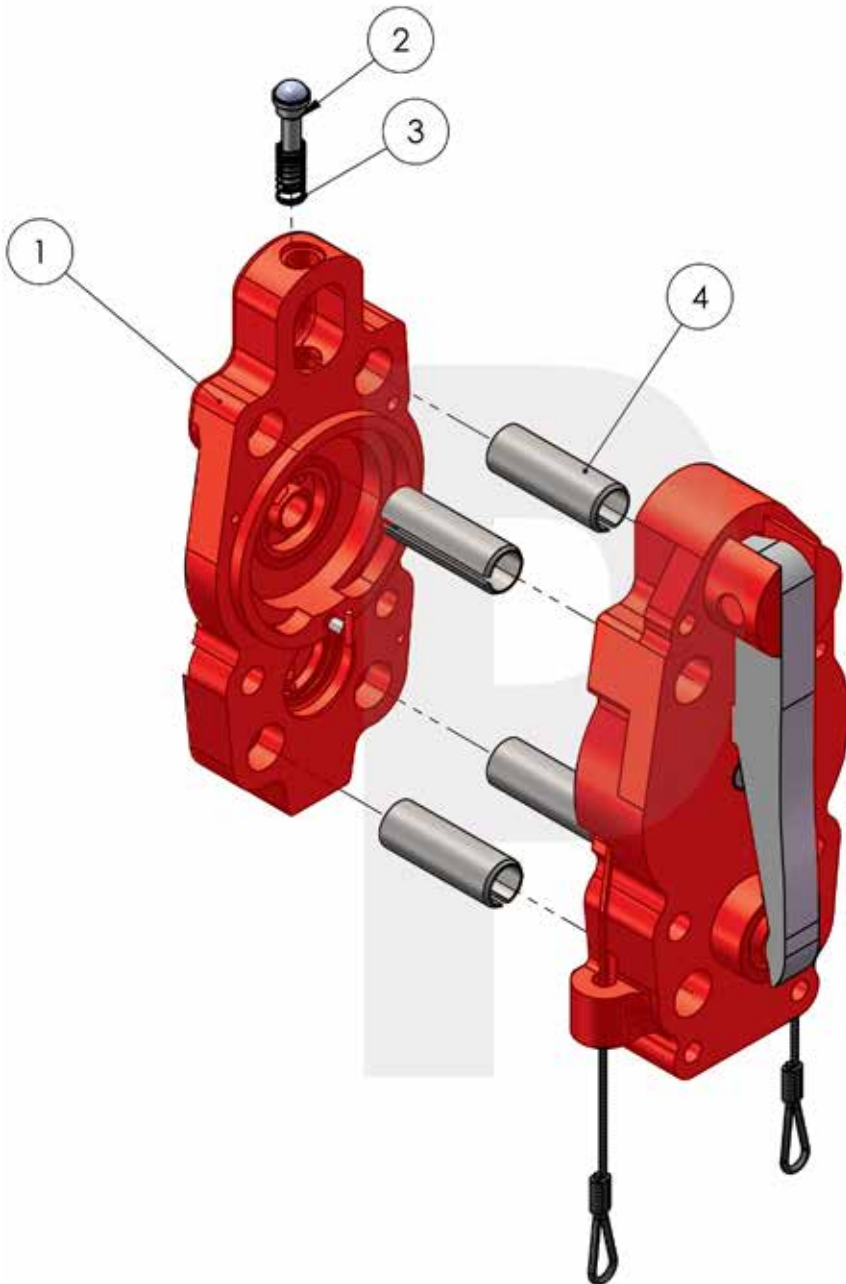
SECTION B-B
SCALE 1 : 5

Variable Delivery Fuel Pump


*each part number links to web site part

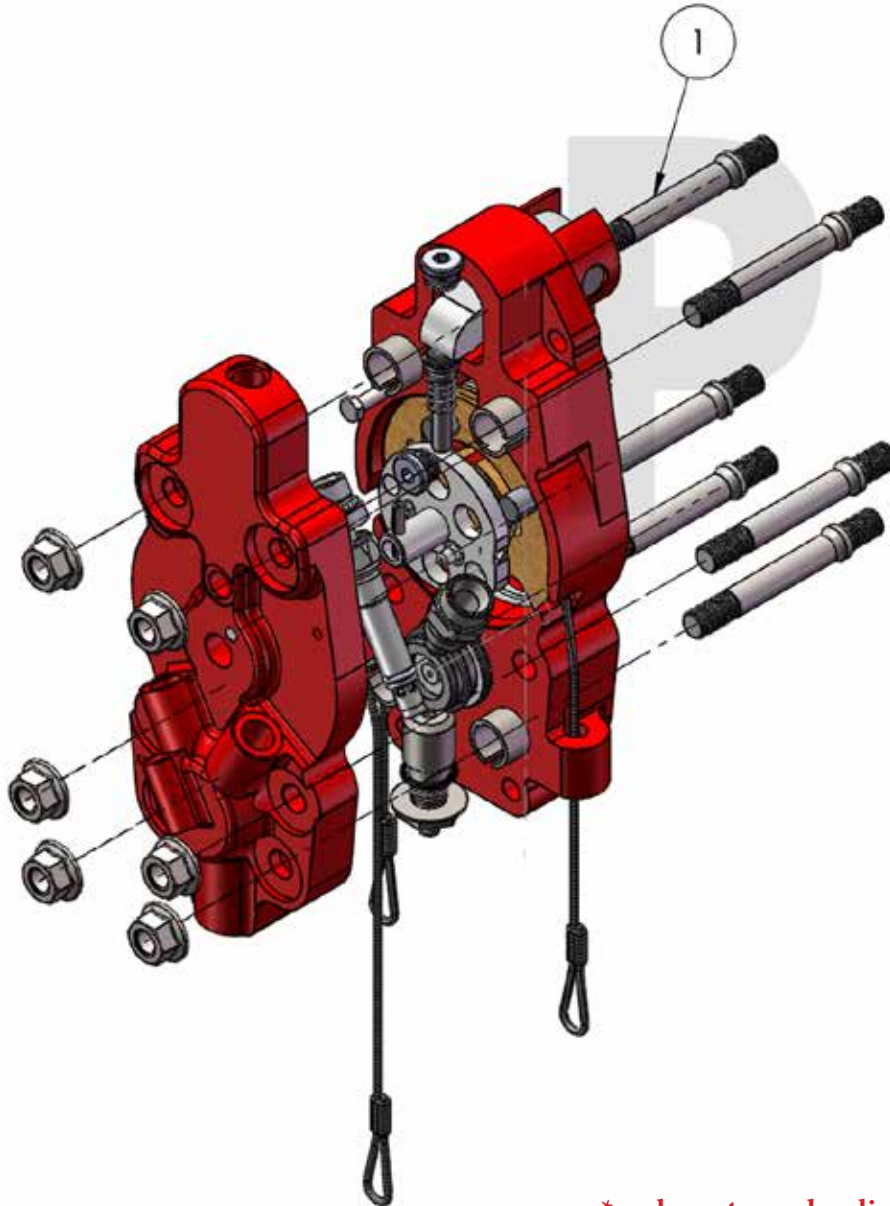
ITEM NO.	PART NUMBER	DESCRIPTION	QTY.
1	43289	PUMP BODY	1
2	22049	SCREEN PIN	1
3	22044	PRESSURE SPRING 5.5 X 20 X 1.2	1
4	41869	PUMP LEVER	1
5	22043	PUMP LEVER PIN	1
6	67218	D62 PUMP ELEMENT 31MM	1
7	43994	HOLDER RING	1
8	92996	ROUND SEALING RING 35 X 2.5	1
9	22040	ROPE DISC	1
10	43308	SWITCH SHAFT	1
11	22060	PRESSURE SPRING 28 X 67.2 X 3.5	1
12	22059	CONICAL RING 2 PCS	1
13	22058	SPRING RETAINING COLLAR	1
14	43287	GUIDE SLEEVE	1
15	22051	CAM	1
16	22052	CAM	1
17	22245	SPRING	1
18	22062	SWIVEL SPRING	1
19	17546	REGULATION ROPE	1

Variable Delivery Fuel Pump Complete



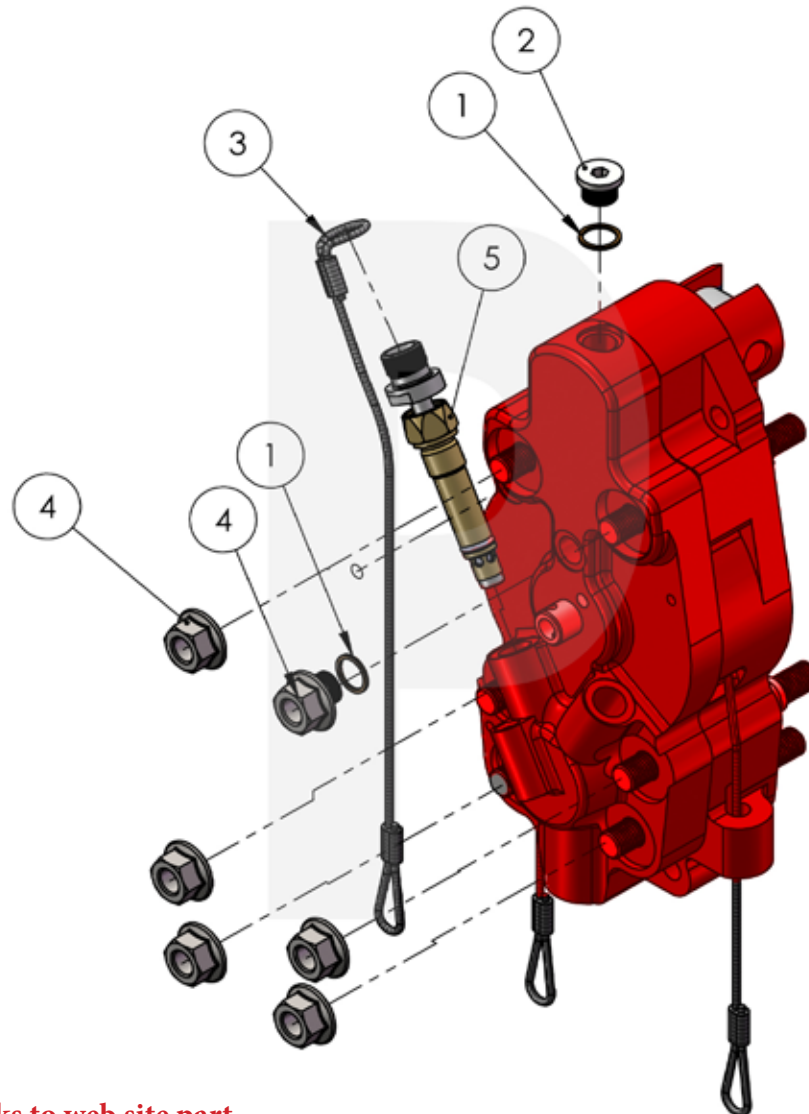
*each part number links to web site part

ITEM NO.	PART NUMBER	DESCRIPTION	QTY.
1	43291	PUMP COVER	1
2	62125	PRESSURE PIECE	1
3	22046	PRESSURE SPRING	1
4	94315	DOWEL PIN 28 X 80	4

**Variable Delivery Fuel Pump
Complete**


**each part number links to web site part*

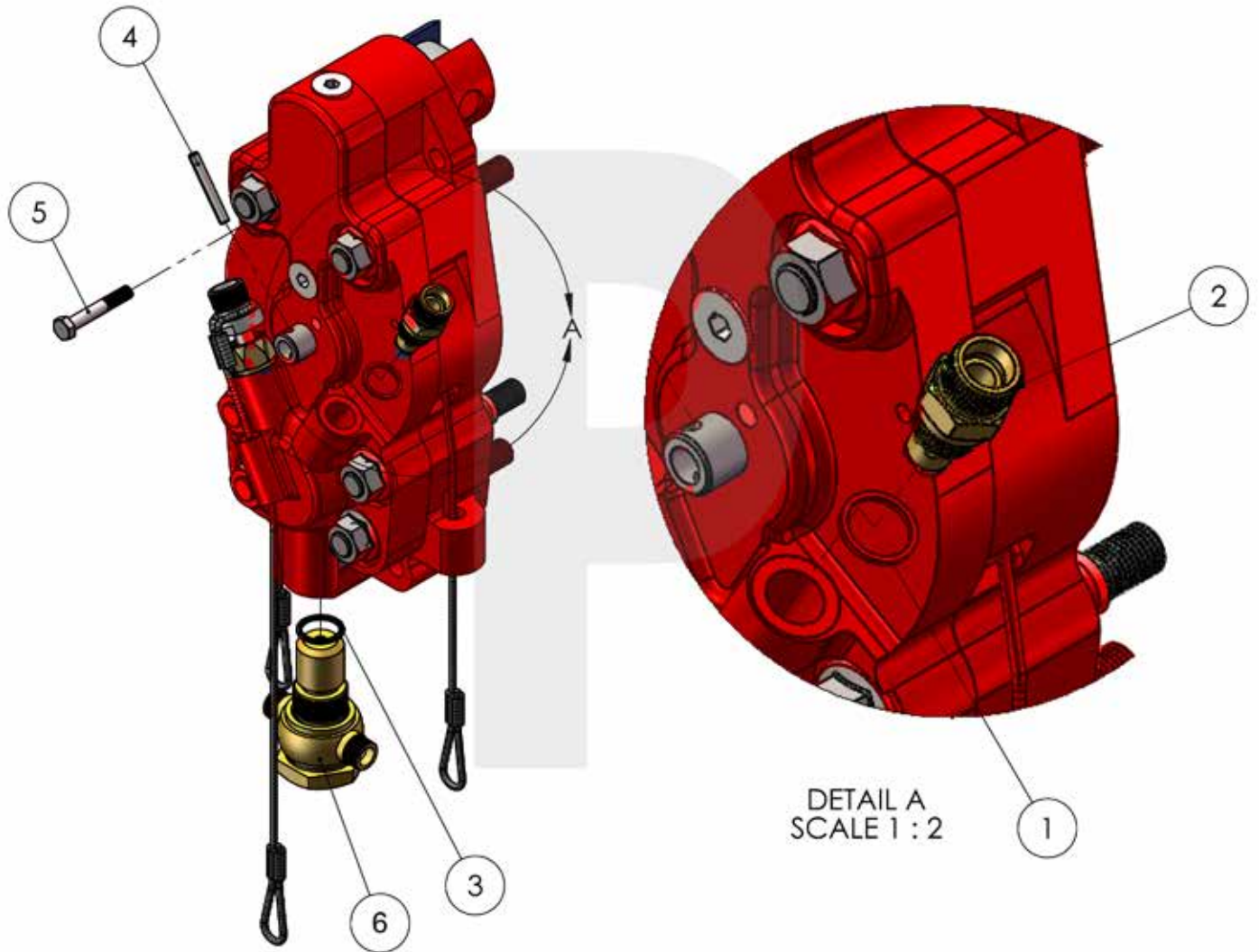
ITEM NO.	PART NUMBER	DESCRIPTION	QTY.
1	20189	PUMP STUD M16	6

**Variable Delivery Fuel Pump
Complete**


*each part number links to web site part

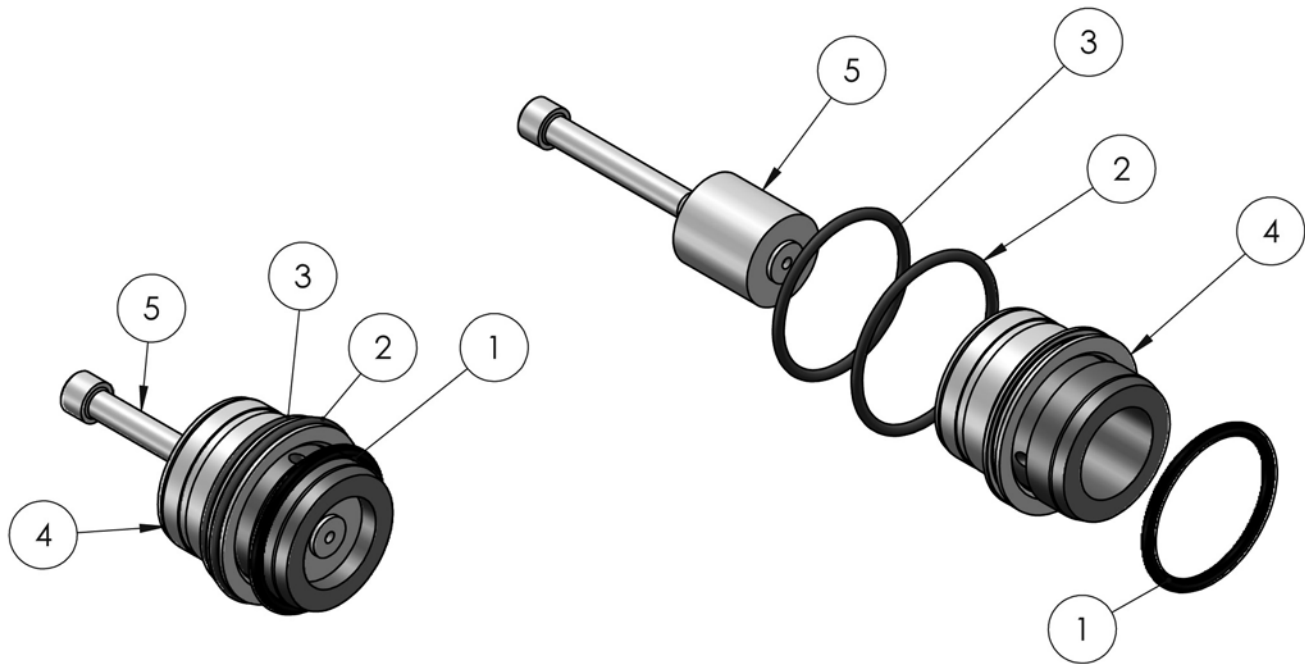
ITEM NO.	PART NUMBER	DESCRIPTION	QTY.
1	90002	SEALING RING A18 X 22	2
2	93055	PLUG SCREW M18 X 1.5	2
3	17546	REGULATING ROPE	1
4	94722	M16 WASHER NUT	6
5	41868	STOP VALVE COMPLETE	1

Variable Delivery Fuel Pump Complete



*each part number links to web site part

ITEM NO.	PART NUMBER	DESCRIPTION	QTY.
1	92031	SEALING RING A20 X 24	1
2	41863	SUCTION VALVE	1
3	91296	O-RING 22 X 3	1
4	90150	DOWEL PIN 6 X 40	1
5	93456	LOCKING SCREW M8 X 50	1
6	60827	CHECK NON-RETURN VAVLE COMPLETE	1

**31MM Pump Element
Complete**


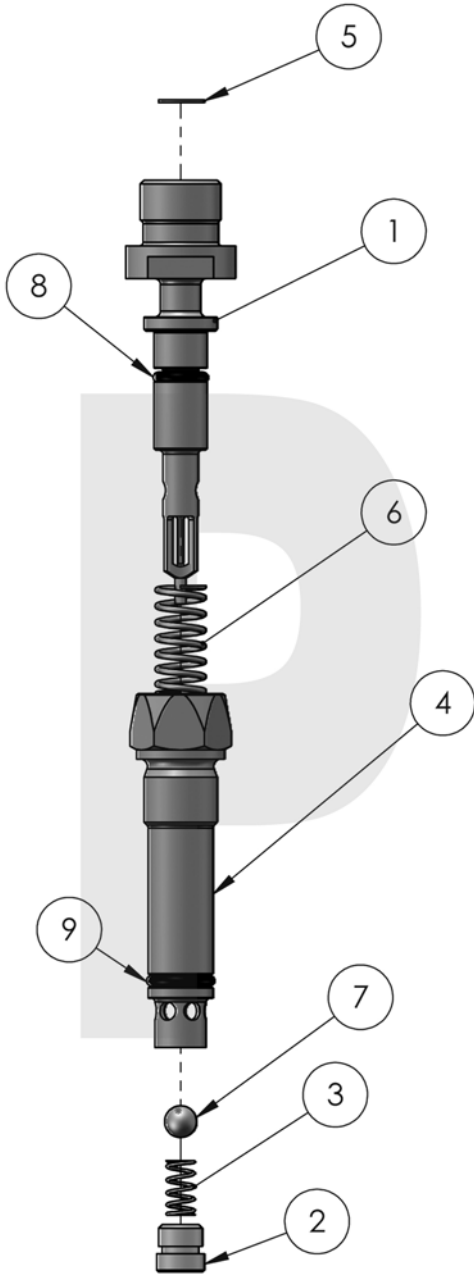
Sold as one complete unit!

***each part number links to web site part**

ITEM NO.	PART NUMBER	DESCRIPTION	QTY.
1	95933	O-RING 42 X 3	1
2	91322	O-RING 44 X 3	1
3	91339	O-RING 40 X 2.5	1
4	67218	31MM ELEMENT BODY	1
5	67218	31MM ELEMENT PLUNGER	1

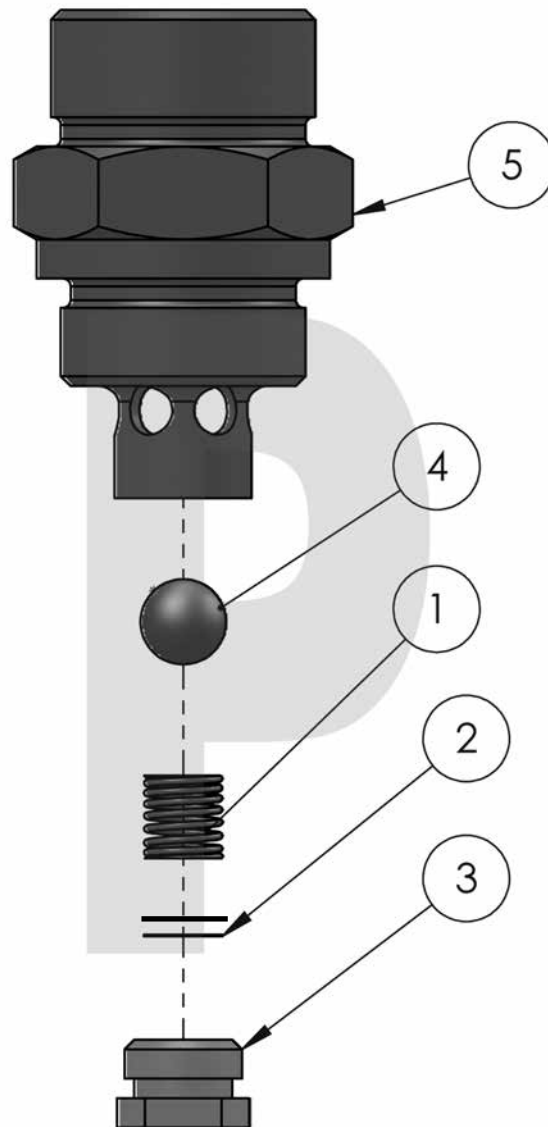
TOGETHER

Stop Valve Complete



**each part number links to web site part*

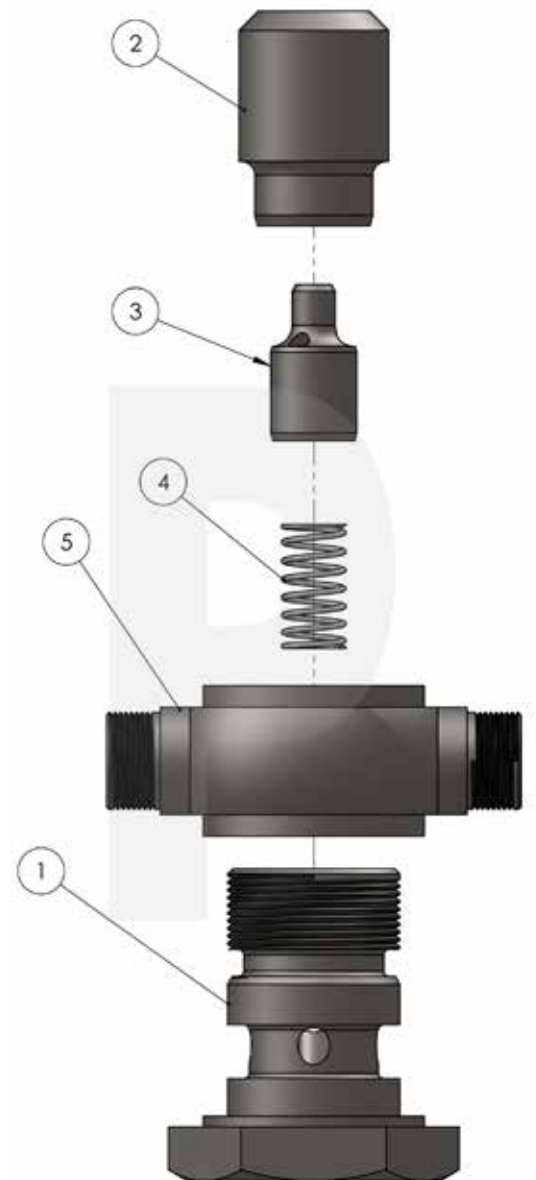
ITEM NO.	PART NUMBER	DESCRIPTION	QTY.
1	43138	VALVE PISTON	1
2	22021	THREADED PLUG	1
3	98929	PRESSURE SPRING	1
4	43130	VALVE SCREW	1
5	95768	CIRCLIP 20 X 1	1
6	43279	PRESSURE SPRING	1
7	98511	BALL 8.731MM	1
8	91894	O-RING 8 X 3	1
9	94316	O-RING 12 X 3	1

**Suction Valve
Complete**


**each part number links to web site part*

ITEM NO.	PART NUMBER	DESCRIPTION	QTY.
1	22022	PRESSURE SPRING 7.3 X 8 X 0.7	1
2	22023	WASHER	2
3	41862	THREADED PLUG	1
4	98511	BALL 8.731MM	1
5	41861	SLEEVE	1

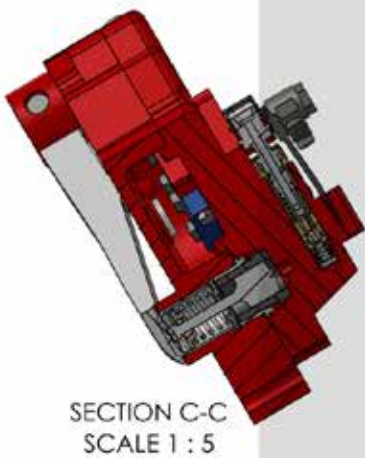
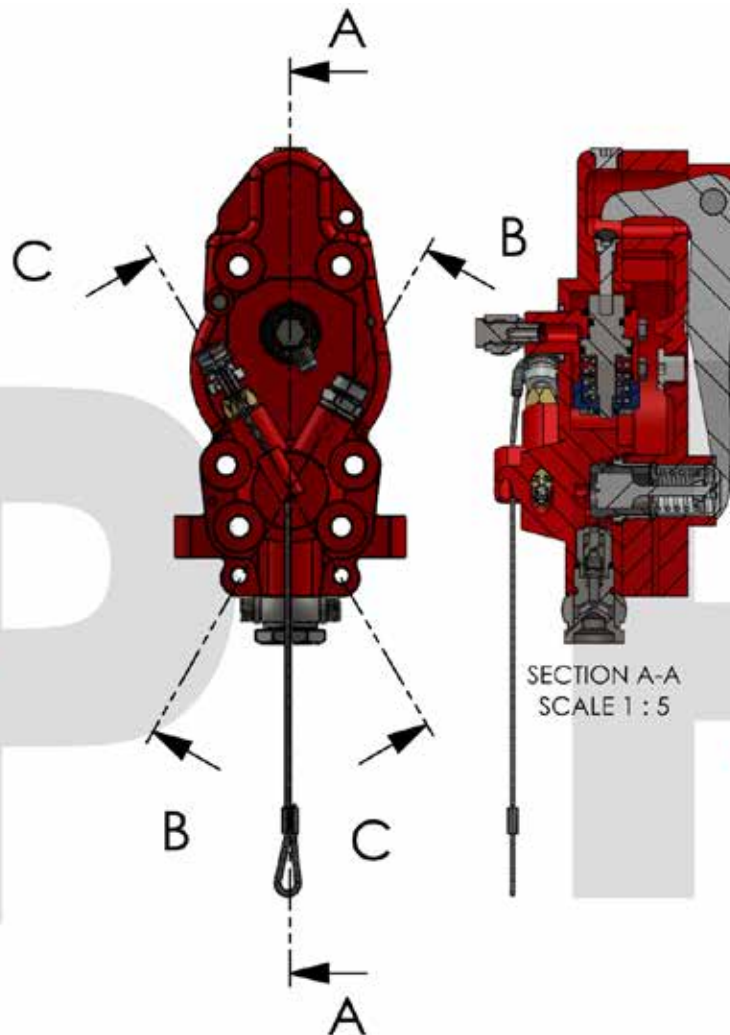
Check Non-Return Valve Complete



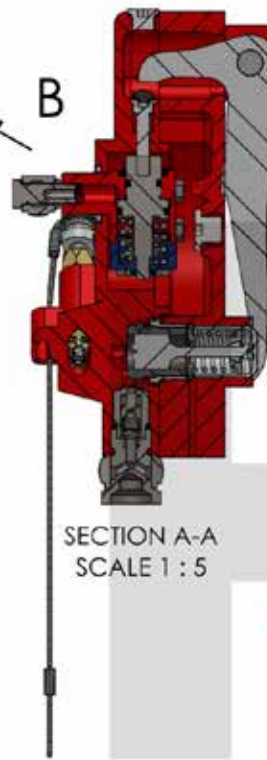
*each part number links to web site part

ITEM NO.	PART NUMBER	DESCRIPTION	QTY.
1	60194	HOLLOW SCREW	1
2	43297	HOUSING	1
3	43299	VALVE PISTION	1
4	22034	PRESSURE SPRING	1
5	60195	RING NIPPLE	1

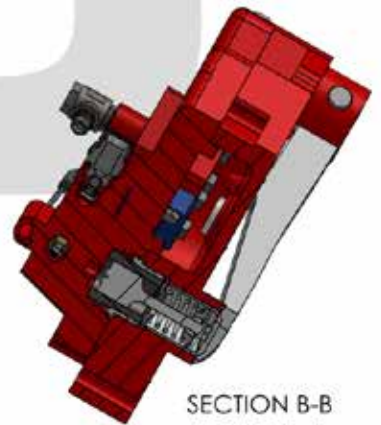
Hydraulic Delivery Fuel Pump



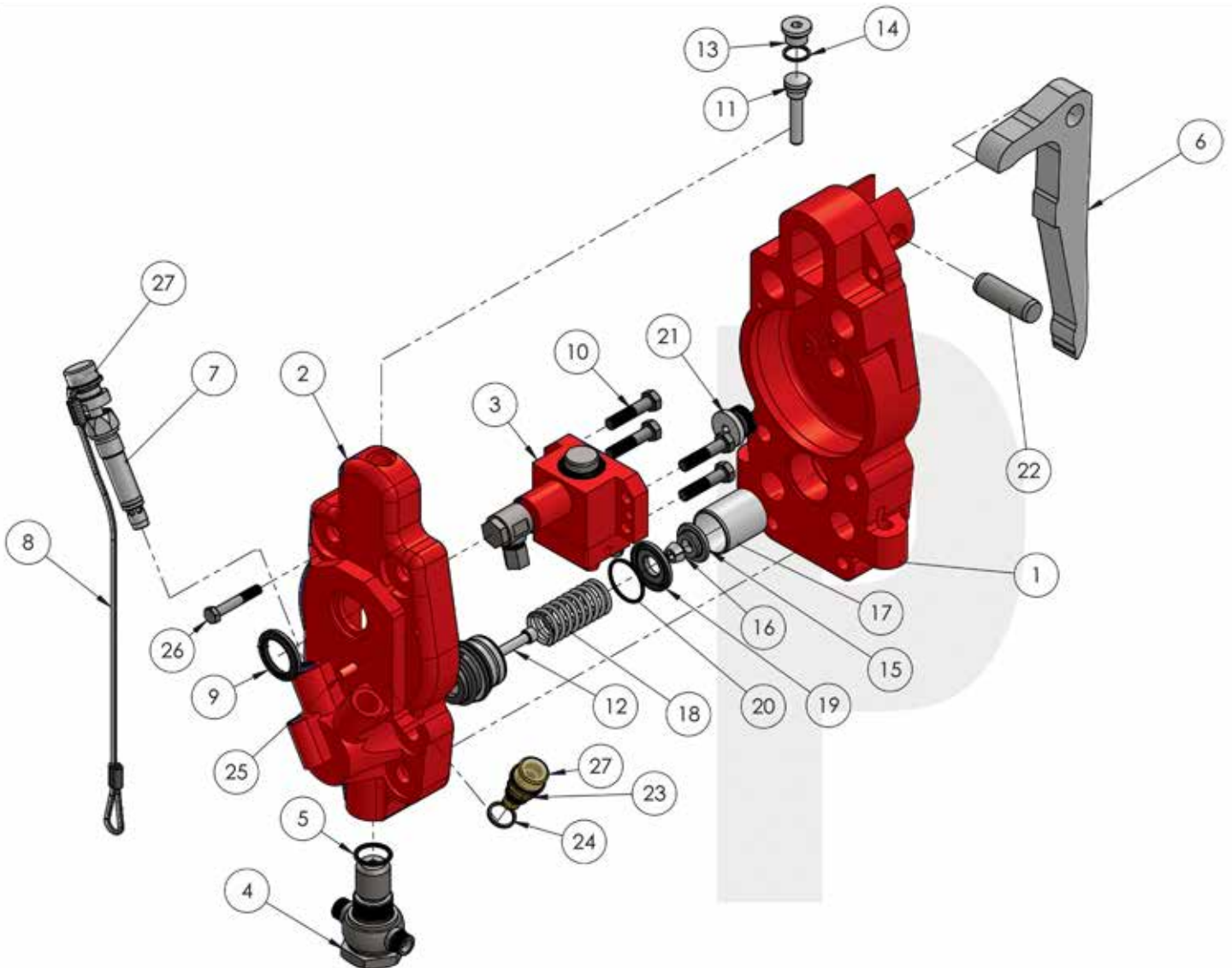
SECTION C-C
SCALE 1 : 5



SECTION A-A
SCALE 1 : 5



SECTION B-B
SCALE 1 : 5

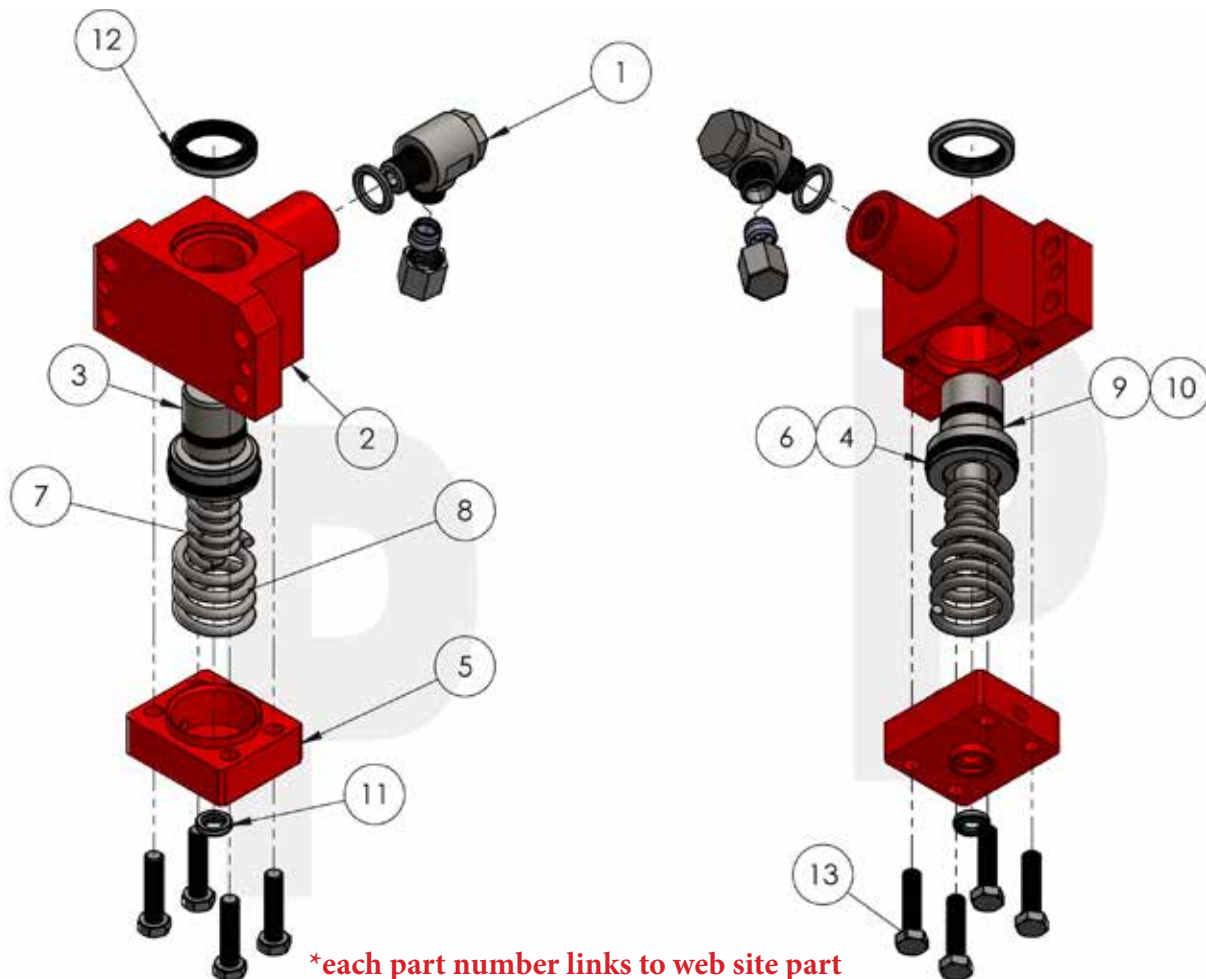


Hydraulic Variable Fuel Pump Continued....

*each part number links to web site part

ITEM NO.	PART NUMBER	DESCRIPTION	QTY.
1	205503	PUMP BODY	1
2	205508	PUMP COVER	1
3	122446-C	FUEL PUMP CONTROL COMPLETE	1
4	60827	CHECK NON RETURN VALVE COMPLETE	1
5	91296	O RING 22 X 3	1
6	41869	PUMP LEVER	1
7	41868	STOP VALVE COMPLETE	1
8	17546	REGULATING ROPE	1
9	205507	DUST RING	1
10	93414	10-1.5 X 30 HEX HEAD CAPSCREW 8.8	4
11	205501	PRESSURE PIECE	1
12	67218	D62 PUMP ELEMENT 31MM	1
13	93055	PLUG SCREW 18 X 1.5	1
14	90002	SEALING RING 18 X 22	1
15	22058	SPRING RETAINING COLLAR	1
16	22059	CONICAL RING 2 PCS	1
17	43287	GUIDE SLEEVE	1
18	22060	PRESSURE SPRING 28 X 67.2 X 3.5	1
19	43995	HOLDER RING	1
20	92996	ROUND SEALING RING 35 X 2.5	1
21	91885	PLUG SCREW M26 X 1.5	1
22	22043	PIN	1
23	41863	SUCTION VALVE	1
24	92031	SEALING RING A20 X 24	1
25	205506	DOWEL PIN 8 X 20	1
26	93456	LOCKING SCREW M8 X 50	1
27	93236	PROTECTION CAP	2

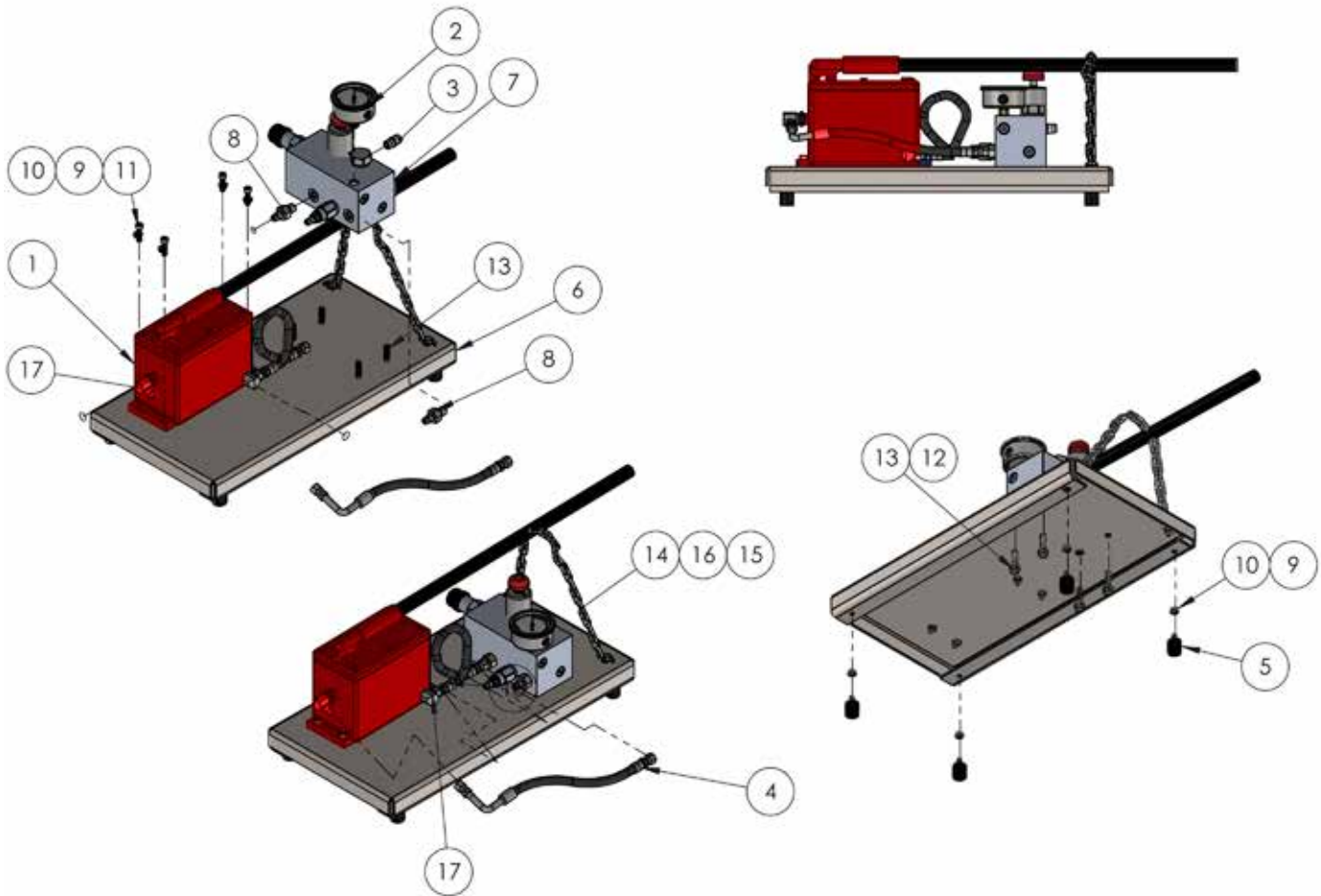
Fuel Pump Control Complete



*each part number links to web site part

ITEM NO.	PART NUMBER	DESCRIPTION	QTY.
1	205509	METRIC BITE TYPE FITTING M16 X 1.5	1
2	126538-C	CYLINDER	1
3	126539	PISTON	1
4	193444	O-RING 32.93 X 3.53	1
5	126537-C	COVER	1
6	193446	BACK UP RING	1
7	193451	PRESSURE SPRING	1
8	193450	PRESSURE SPRING	1
9	193445	O-RING 20.22 X 3.53	1
10	193447	BACK UP RING	1
11	193448	ROD WIPER	1
12	193449	ROD WIPER	1
13	94989	8-1.25 X 35 HEX HEAD CAPSCREW	4

Hydraulic Hand Pump Assembly

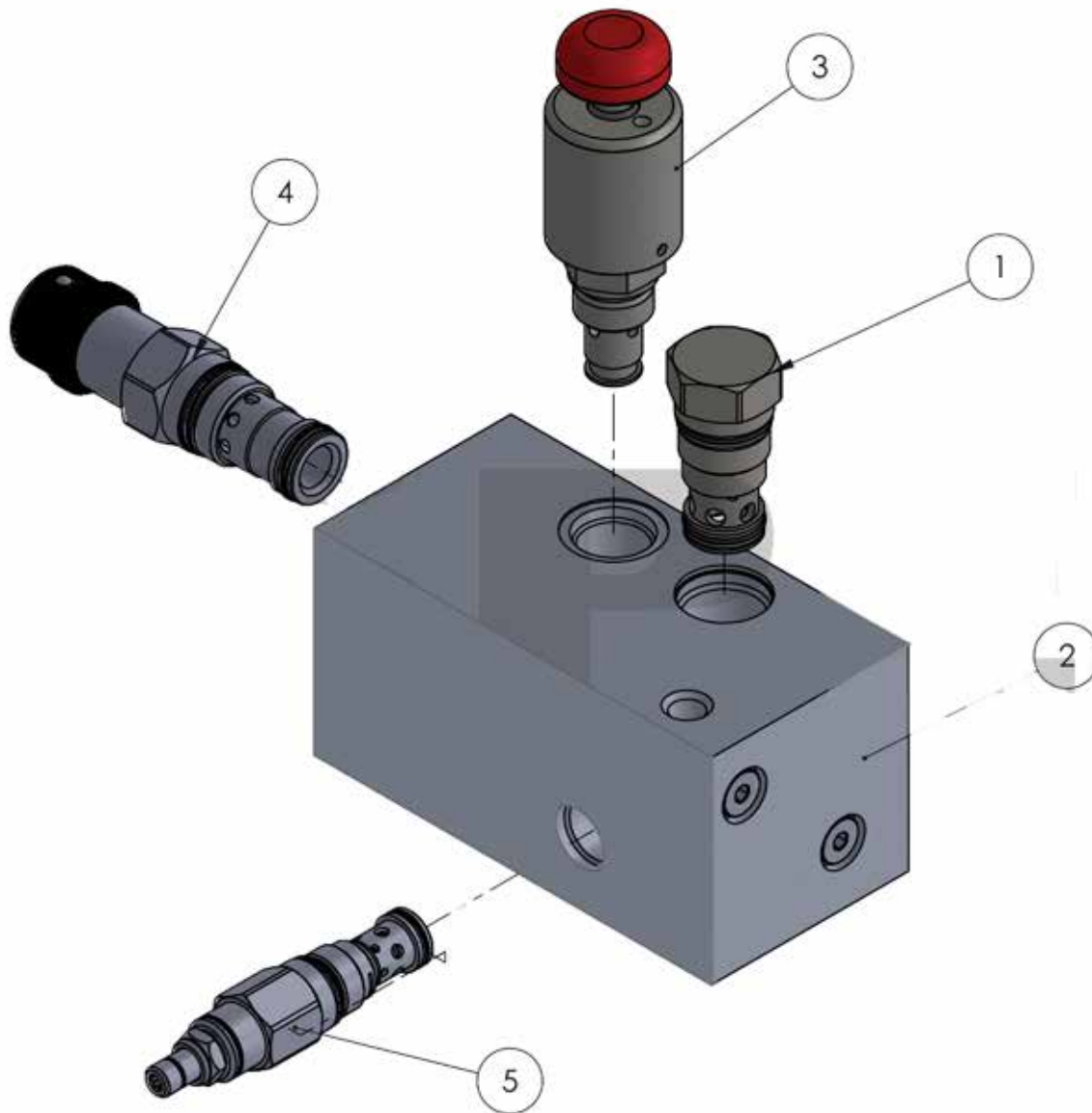


Hydraulic Hand Pump Assembly

Hydraulic Hand Pump Continued....

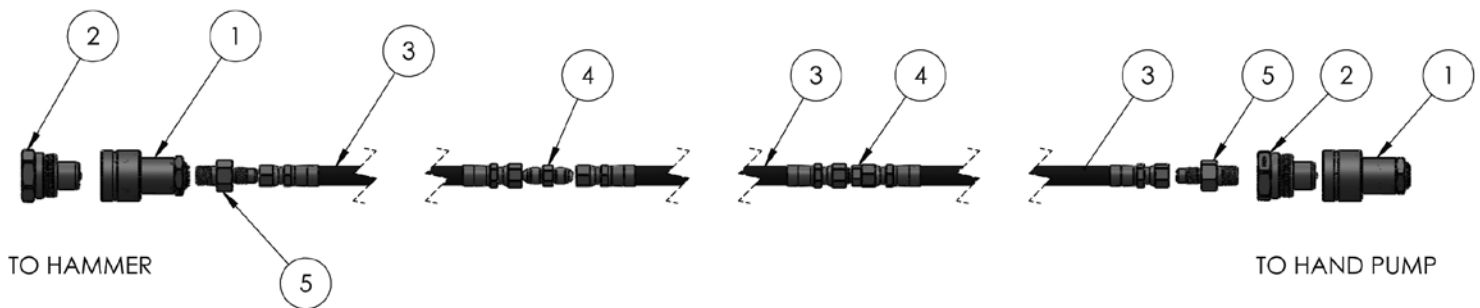
*each part number links to web site part

ITEM NO.	PART NUMBER	DESCRIPTION	QTY.
1	55107	P-51 ENERPAC PUMP	1
2	55120	G25-SL600-CB SS PRESSURE GAUGE	1
3	55121	4SAE MALE TO 1/4 NPT MALE ADAPTER	1
4	55104	1/4 JIC FEMALE SWIVEL FITTING TO 1/4 JIC FEMALE SWIVEL 1/4 PRESSURE HOSE	1
5	55122	RUBBER FOOT 1" X 1"-1/4-20 X 3/4 BOLT	4
6	55105	PLATE	1
7	55103	MANIFOLD COMPLETE	1
8	55123	4 SAE MALE TO 1/4 JIC MALE STRAIGHT ADAPTER	2
9	55124	M6 SPLIT LOCKWASHER	14
10	55125	M6-1.0 JAM NUT	10
11	55126	6-1.0 X 25 SOCKET HEAD CAPSCREW	4
12	55127	8MM SPLIT LOCKWASHERS	4
13	55128	8-1.25 X 30 HEX HEAD CAPSCREW	4
14	55108	CHAIN LINK #2/0 X 16"	1
15	55129	6MM FLAT WASHER	2
16	55130	6-1.0 X 20 HEX HEAD CAPSCREW	2
17	55131	3/8 NPT MALE TO 1/4 JIC MALE 90 ADAPTER	2
18	55109	1/4 JIC FEMALE SWIVEL FITTING TO 1/4 JIC FEMALE SWIVEL HOSE TO TANK	1

**Manifold
Complete**


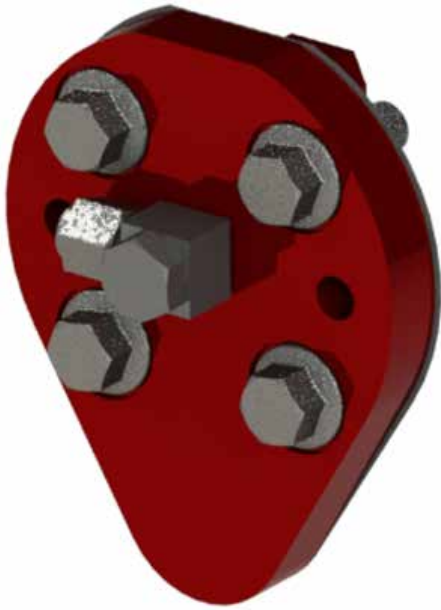
*each part number links to web site part

ITEM NO.	PART NUMBER	DESCRIPTION	QTY.
1	55110	CXFA-XCN DIRECTION CHECK	1
2	55106	MANIFOLD	1
3	55111	DOERING DUMP VALVE	1
4	55112	NEEDLE VALVE	1
5	55113	RELIEF VALVE	1

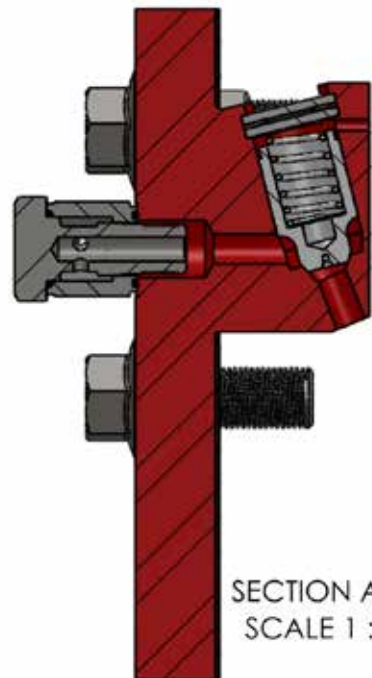
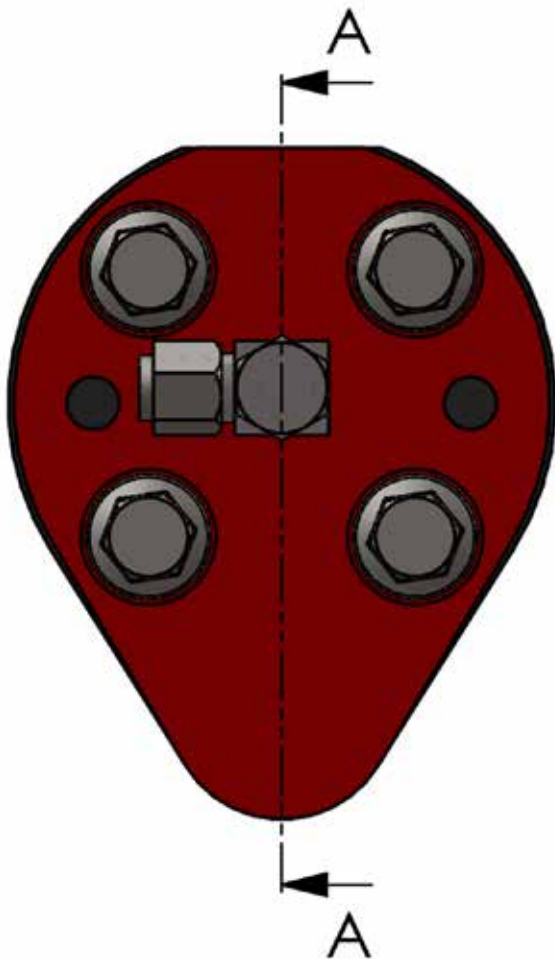
**HAND PUMP 1/4" HOSE ASSEMBLY
150FT IN 50FT SECTIONS**


**each part number links to web site part*

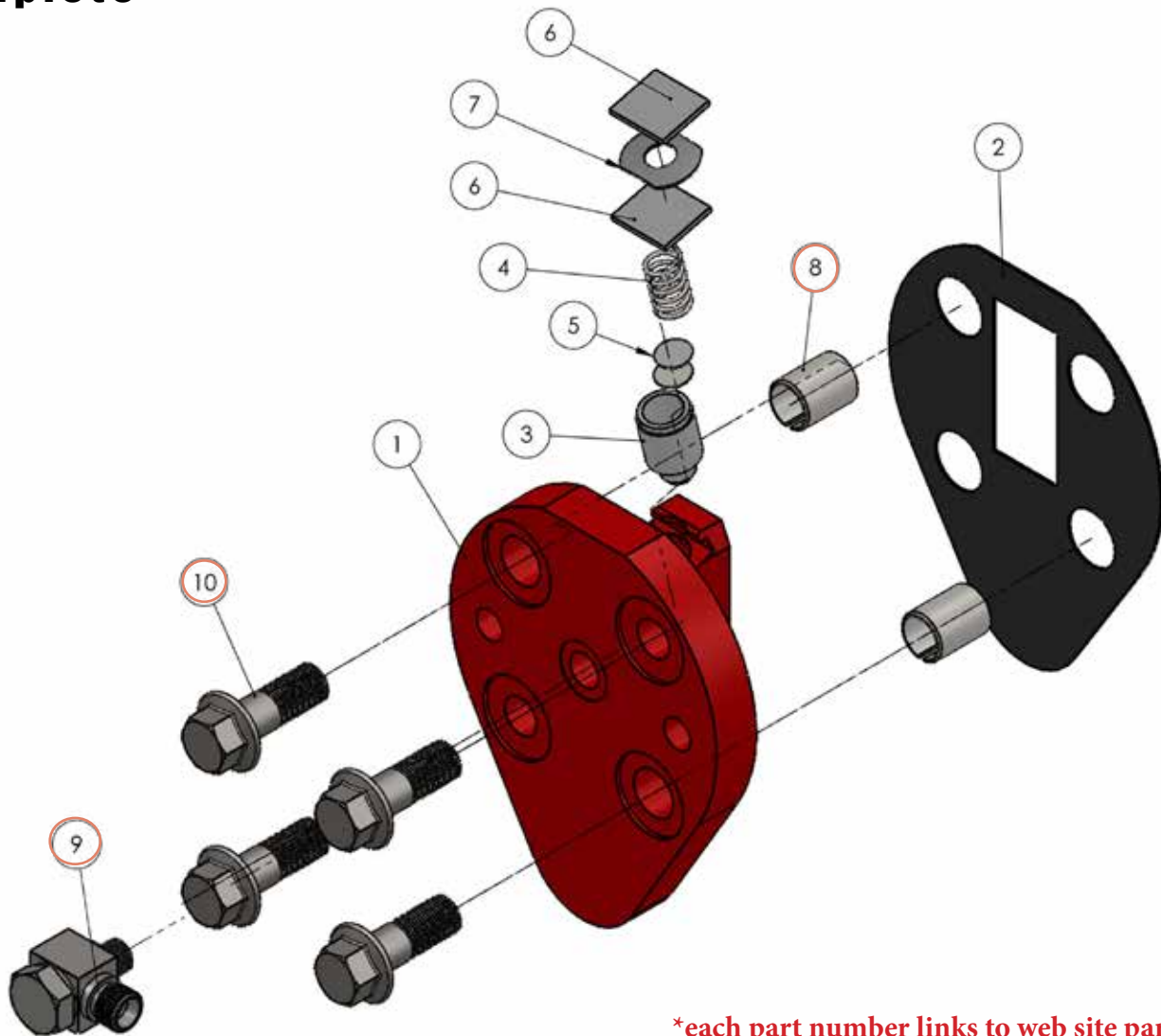
ITEM NO.	PART NUMBER	DESCRIPTION	QTY.
1	55133	1/4" COUPLER NPFT SCREW TYPE QUICK DISCONNECT FEMALE	2
2	55134	1/4" 3000 SERIES NIPPLE NPFT SCREW TYPE QUICK DISCONNECT MALE	2
3	8000440	4 FEMALE JIC TO 4 FEMALE JIC 1/4 HOSE 50FT	3
4	55137	4 JIC MALE TO 4 JIC MALE STRAIGHT ADAPTER	2
5	8001067	1/4 NPT MALE TO 1/4 JIC MALE STRAIGHT ADAPTER	2



Fuel Injection



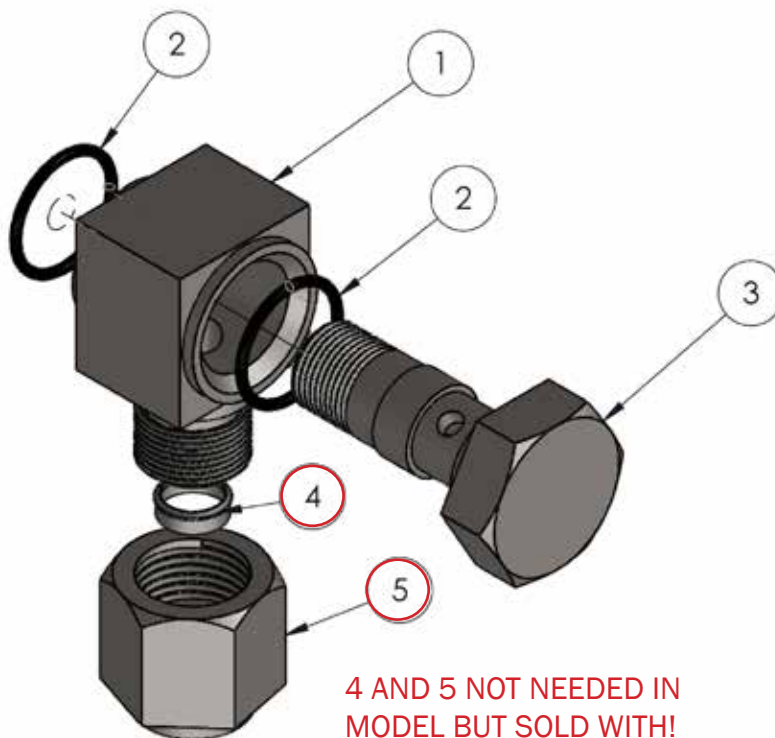
SECTION A-A
SCALE 1 : 2

**Fuel Injection Device
Complete**


*each part number links to web site part

ITEM NO.	PART NUMBER	DESCRIPTION	QTY.
1	102133	INJECTION PLATE 20°	1
2	45647	GASKET	1
3	63843	VALVE PISTON	1
4	97569	PRESSURE SPRING	1
5	97573	ADJUSTING WASHER	2
6	64460	LOCKING PLATE	2
7	64461	SPRING WASHER	1
8	sold separately 95633	DOWEL PIN 21 X 28 DIN 7346	2
9	sold separately 97038	THREADED PIPE JOINT (UNION)	1
10	sold separately 95639	LOCKING SCREW M16 X 45	4

Threaded Pipe Joint Complete



NOTE: ITEM SHOULD BE REPLACED WITH NEW PIPE JOINT COMPLETE WHEN REMOVED FOR SERVICING

#1 SOLD COMPLETE

**each part number links to web site part*

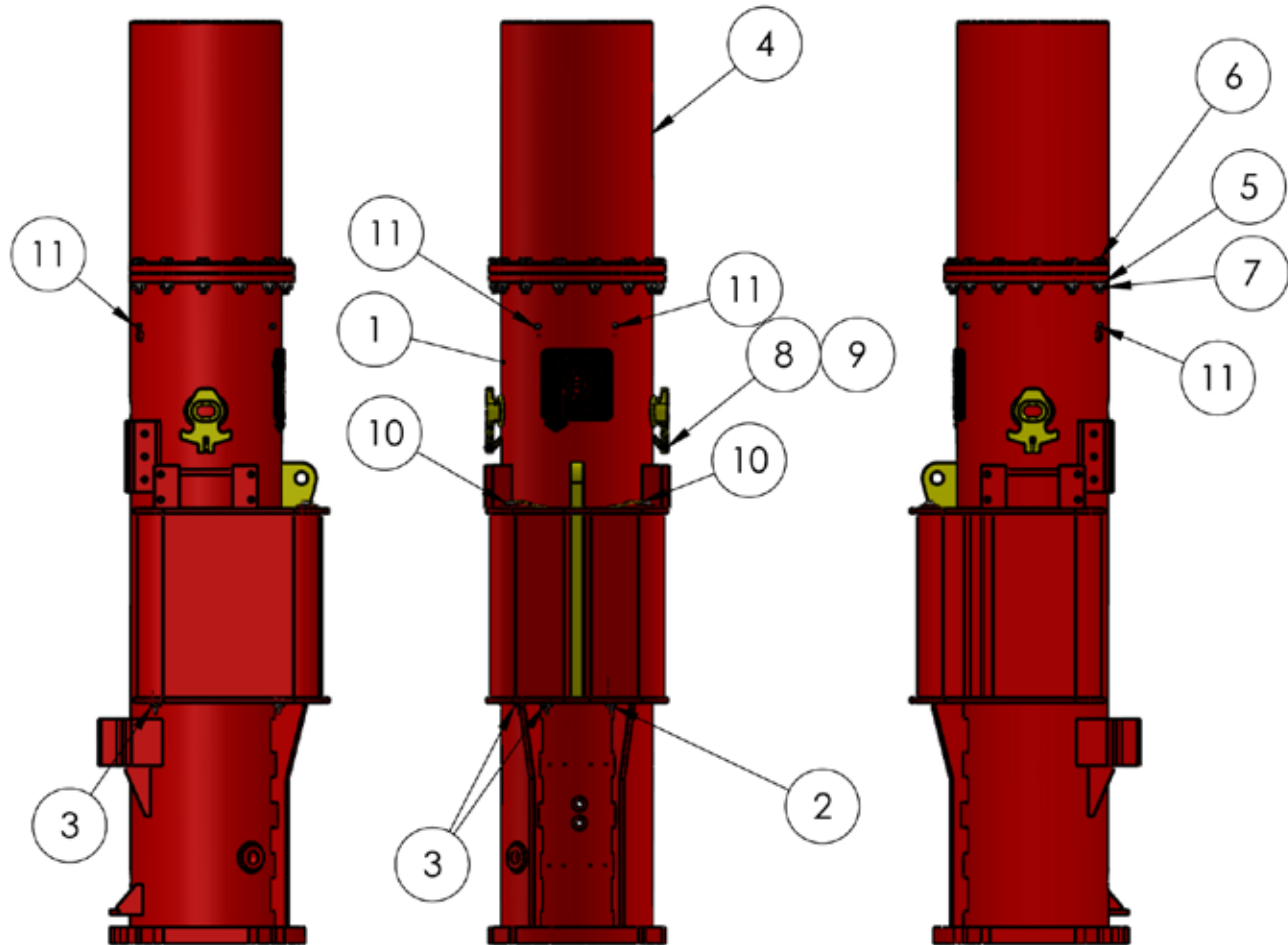
Sold with but not needed in this model.

ITEM NO.	PART NUMBER	DESCRIPTION	QTY.
1	97038	THREADED PIPE JOINT	1
2	97258	O RING 17 X 1.5	2
3	210405	HOLLOW SCREW	1
4	90127	OLIVE	1
5	204012	UNION NUT M16X1.5	1

Upper Cylinder

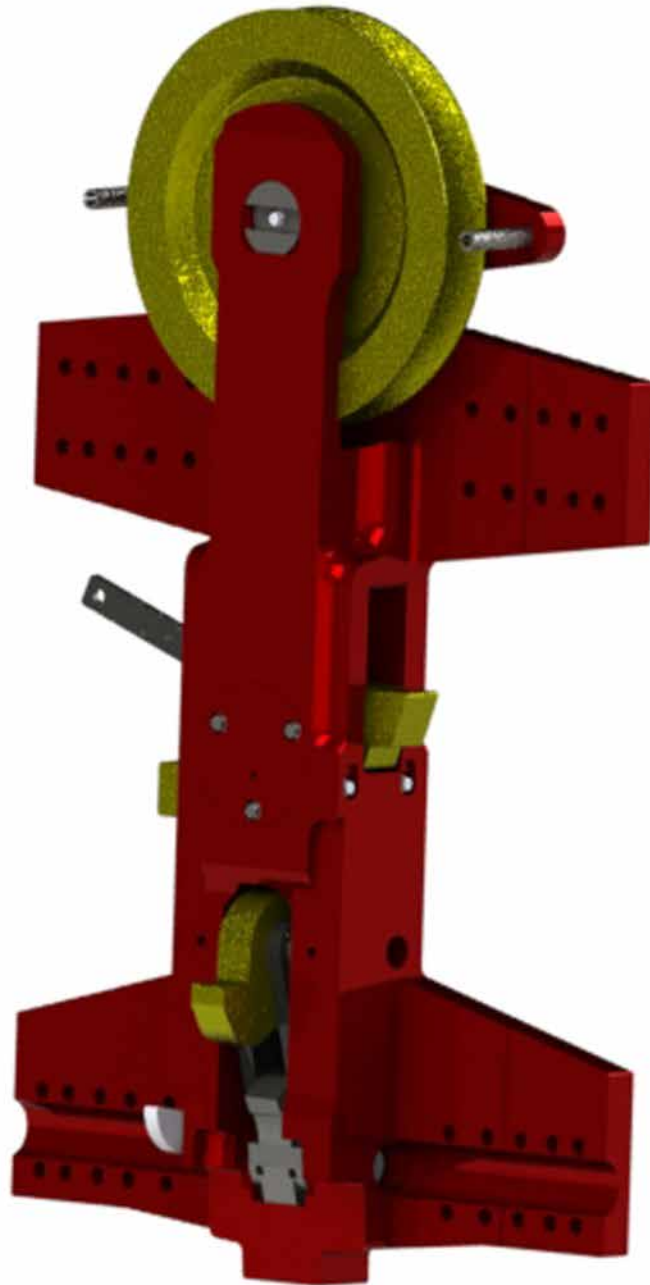


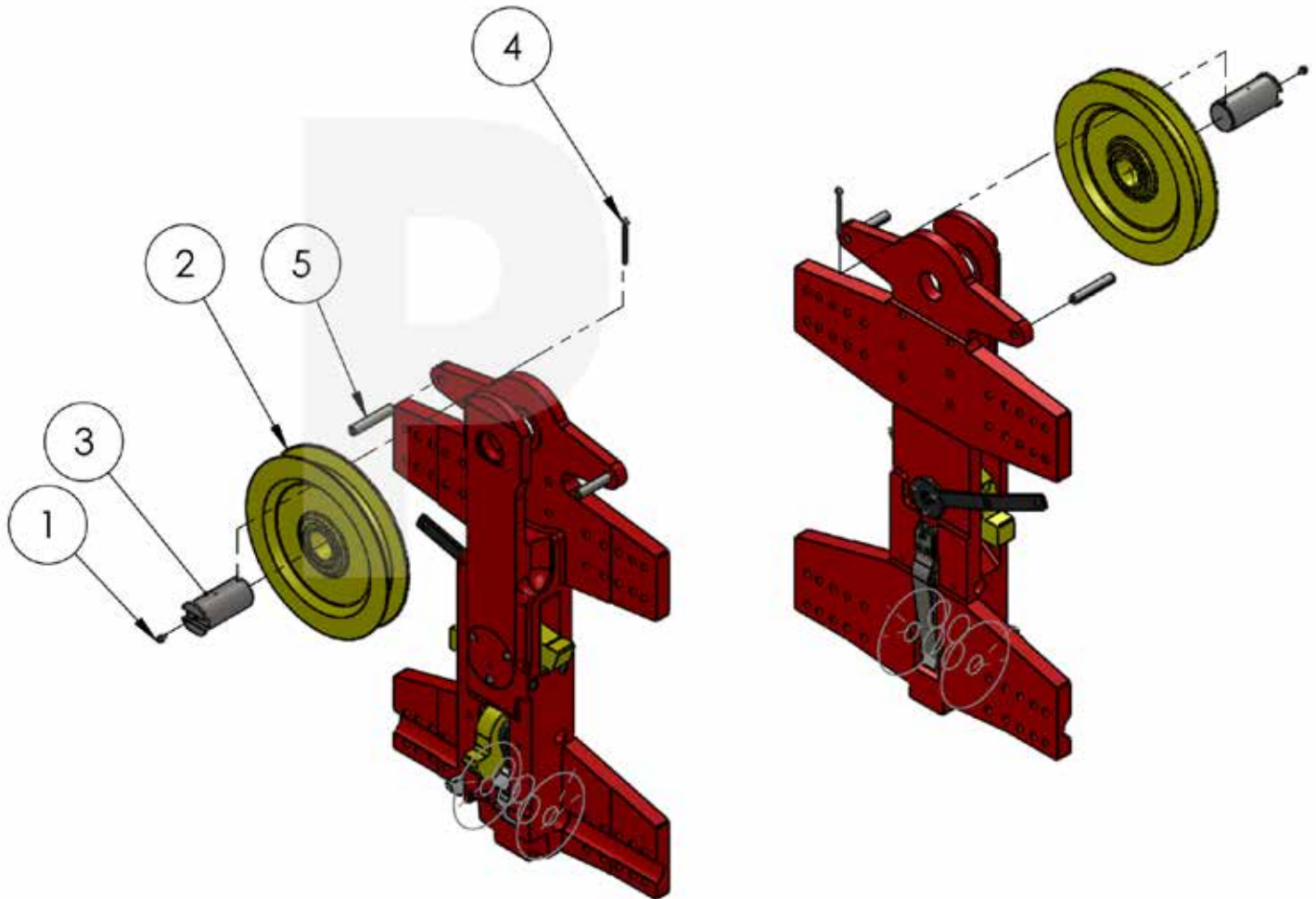
Upper Cylinder Complete



ITEM NO.	PART NUMBER	DESCRIPTION	QTY.
1	109071	CYLINDER UPPER PART	1
2	206022	FILTER ELBOW	1
3	64403	FILTER ELBOW	3
4	206003	UPPER END RING L=1000mm	1
5	203131	24MM SCHNORR SAFETY WASHER	24
6	91929	M24 X 120 HEX HEAD CAPSCREW	12
7	201202	M24 HEX NUT	12
8	17039	RATCHET	2
9	206010	DOWEL PIN 13×60	2
10	17186	PLUG SCREW (DIESEL) COMPLETE	2
11	90791	GREASE NIPPLE M10 X 1	4

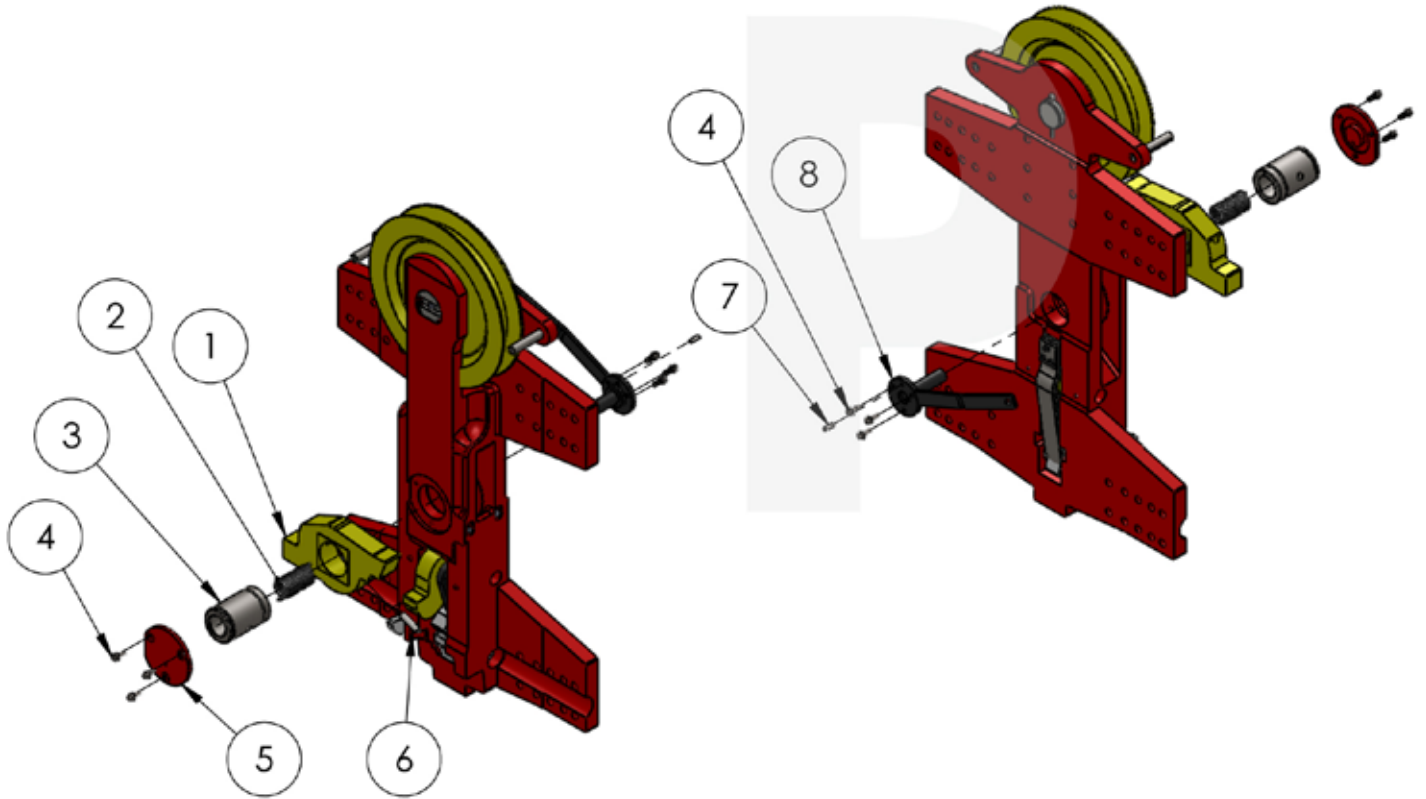
Starting Device (Trip)



**Starting Device (Trip)
Complete**


*each part number links to web site part

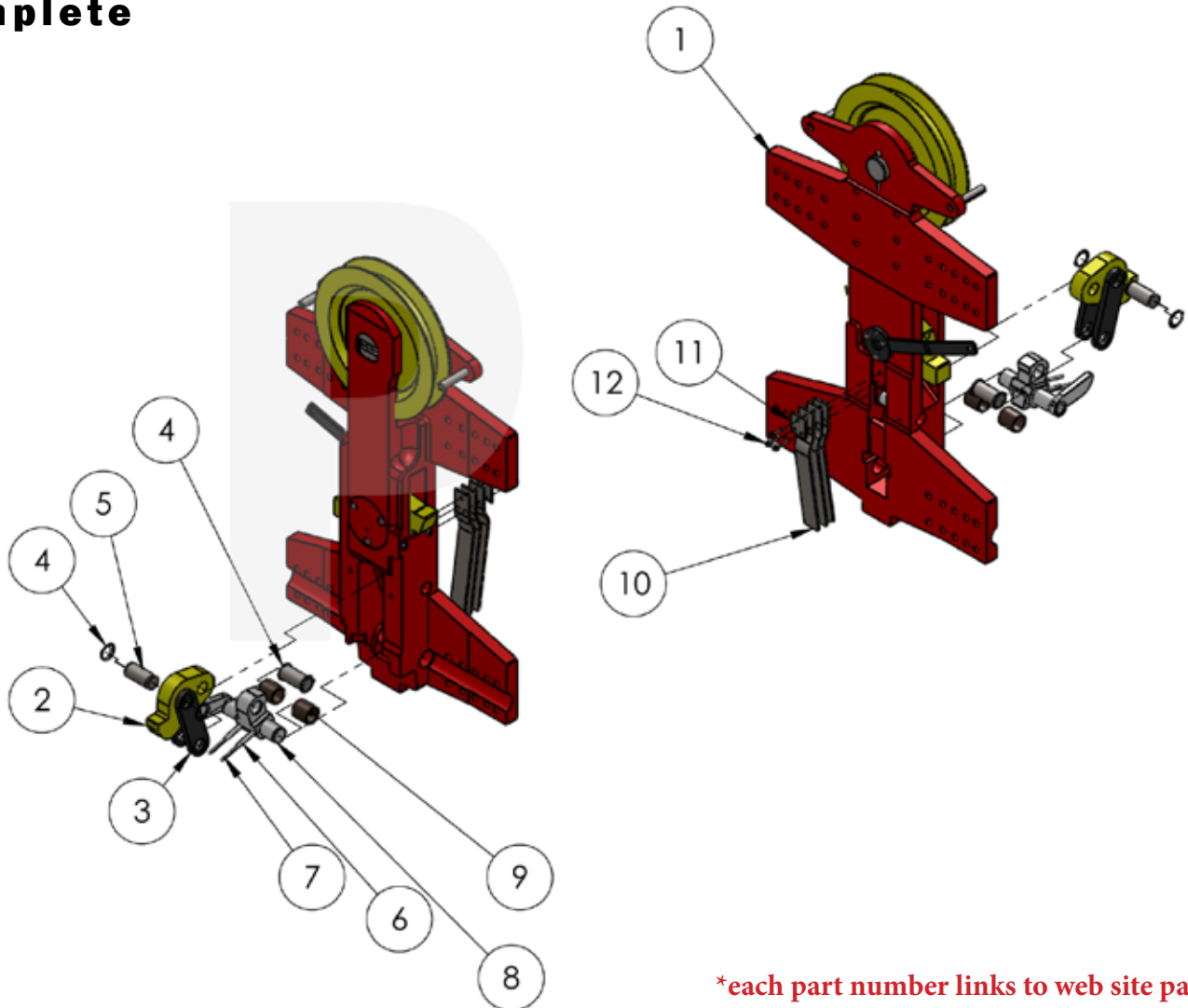
ITEM NO.	PART NUMBER	DESCRIPTION	QTY.
1	90791	GREASE NIPPLE M10 X 1	3
2	205021	ROPE PULLEY	1
3	104946	SHEAVE PIN	1
4	95274	10 X 112 COTTER PIN	1
5	92663	DOWEL PIN 8MM x 80	2

**Starting Device (Trip)
Complete**


**each part number links to web site part*

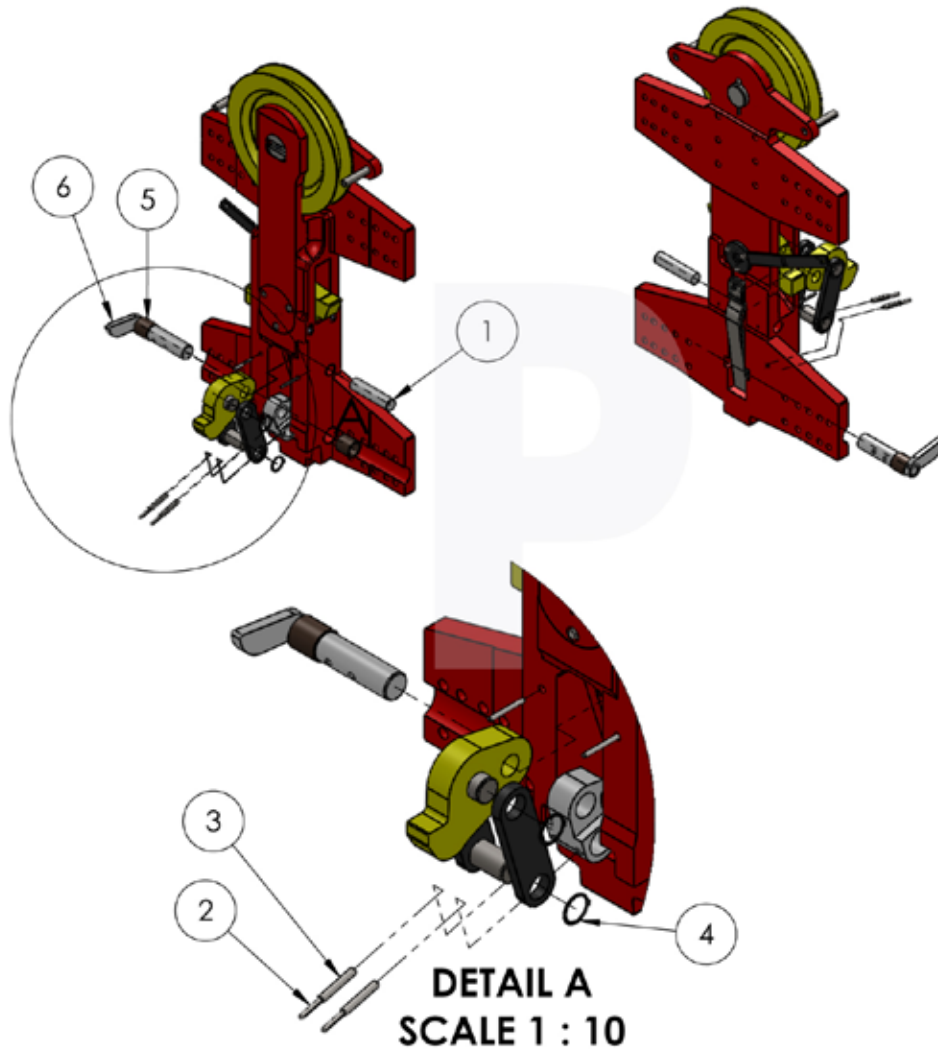
ITEM NO.	PART NUMBER	DESCRIPTION	QTY.
1	104925	CARRIER	1
2	104943	TORSION SPRING	1
3	104926	SHAFT	1
4	93414	10MM-1.5 X 30 SERRATED LOCKING SCREW	6
5	104927	COVER	1
6	90874	16MM x 70 ROLL SPRING PIN	1
7	90231	DOWEL PIN 10 X 32	1
8	104928	LEVER	1

Starting Device (Trip) Complete



*each part number links to web site part

ITEM NO.	PART NUMBER	DESCRIPTION	QTY.
1	104923	GUIDE BODY	1
2	16921	PAWL	1
3	16781	SHACKLE	2
4	93242	CIRCLIP 45 X 1.75	4
5	16922	JOINT BOLT	2
6	90600	ROLL PIN 13 x 80	2
7	95186	ROLL PIN 8 x 80	4
8	104952	PAWL LEVER	1
9	16916	SLEEVE	2
10	16801	LEAF SPRING	3
11	17045	PLATE	1
12	205022	10MM-1.5 X 45 SERRATED FLANGE HEAD CAPSCREW	3

**Starting Device (Trip)
Complete**


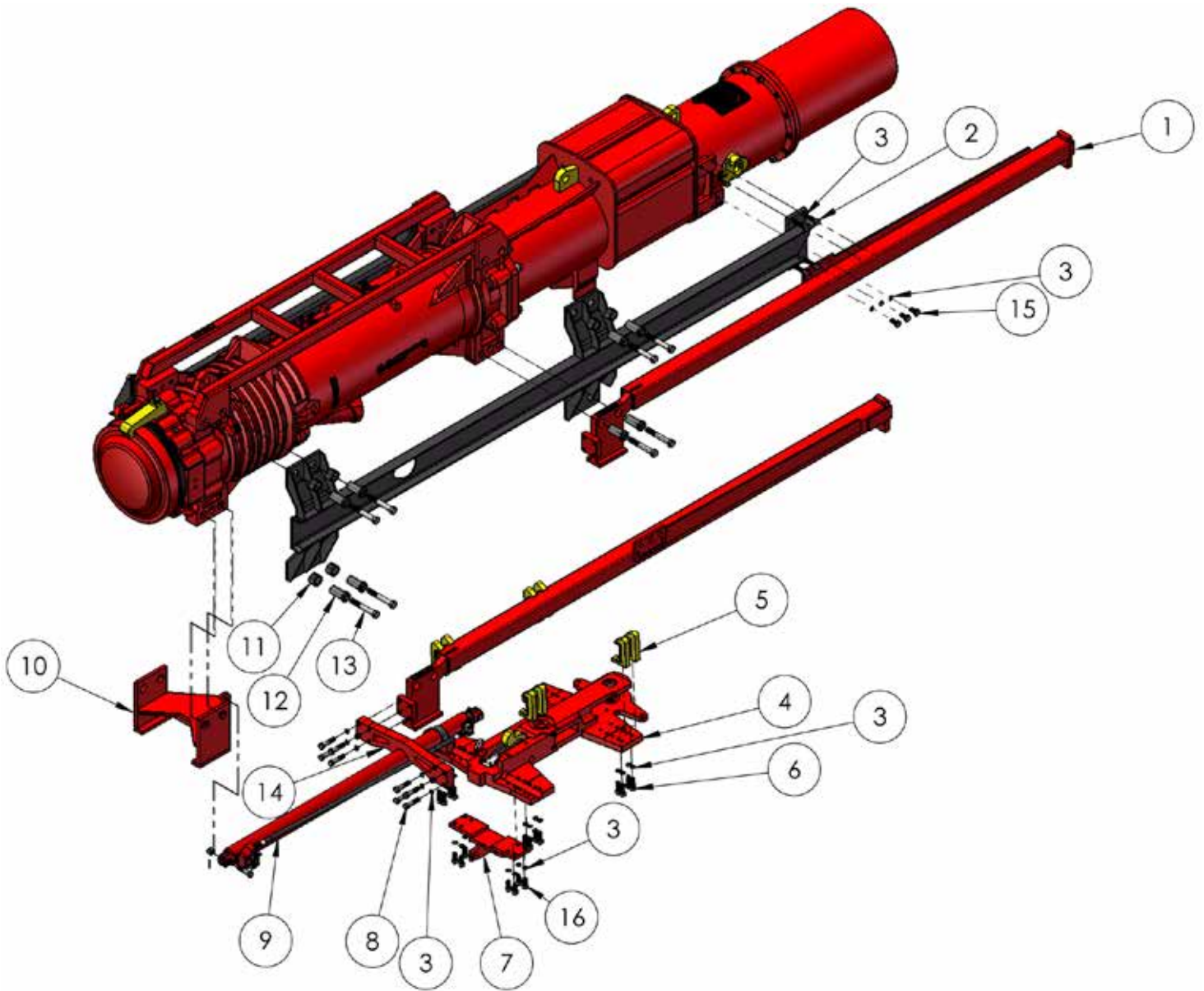
**each part number links to web site part*

ITEM NO.	PART NUMBER	DESCRIPTION	QTY.
1	104944	PIN	1
2	95186	ROLL PIN 8 x 80	4
3	90600	ROLL PIN 13 x 80	2
4	93242	CIRCLIP 45 X 1.75	4
5	16916	SLEEVE	2
6	104952	PAWL LEVER	1

Hydraulic Push Start



**Hydraulic Push Start
Complete**



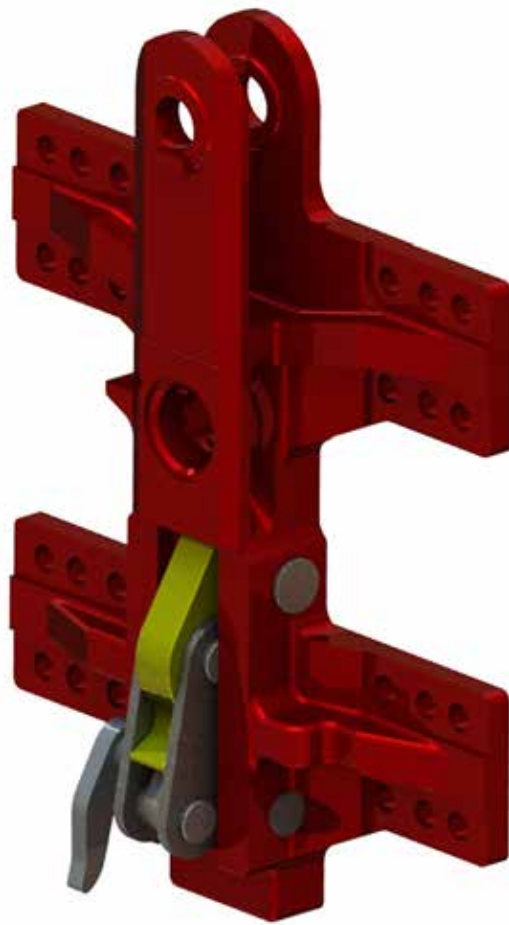
continued....

Hydraulic Push Start Complete

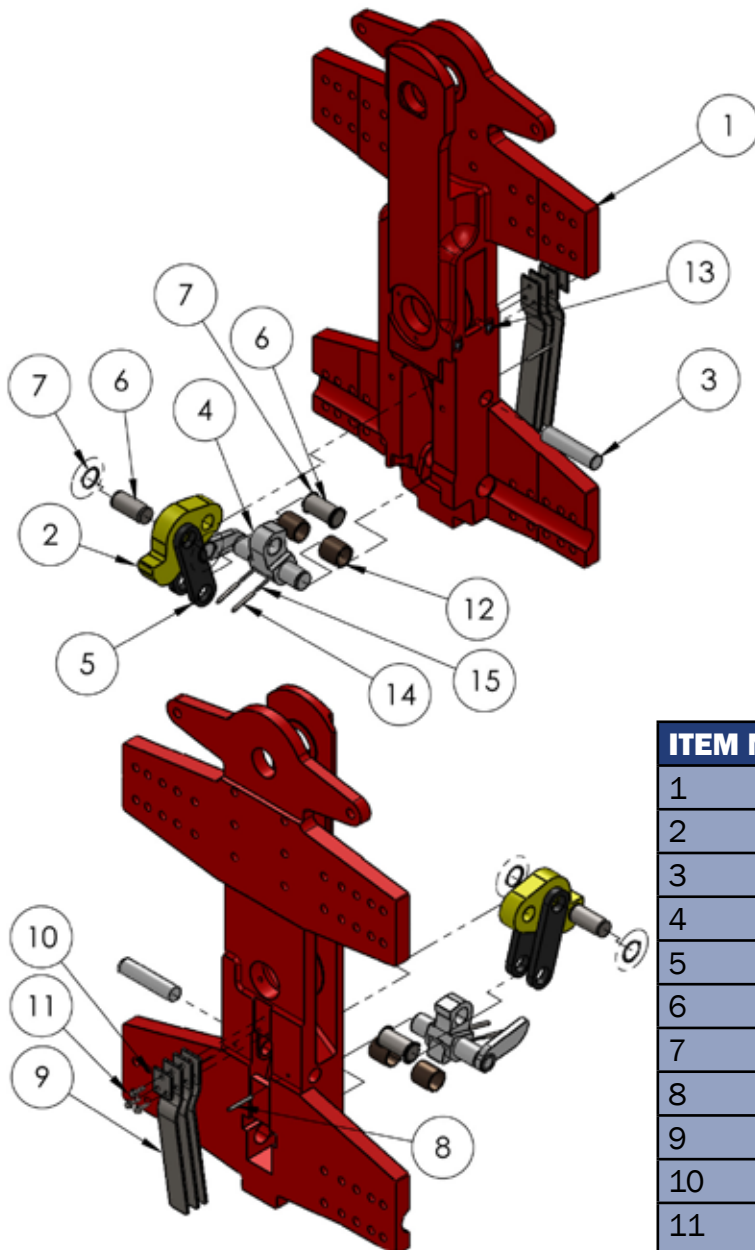
*each part number links to web site part

ITEM NO.	PART NUMBER	DESCRIPTION	QTY.
1	206101	HYDRAULIC STARTER GUIDE	1
2	261417	24MM-3.0 X 70 HEX HEAD CAP SCREW 10.9	8
3	203131	24MM SCHNORR SAFETY WASHER	38
4	8001250	HYDRAULIC STARTING DEVICE(TRIP)	1
5	205103	GUIDE GIB	4
6	204110	24MM-3.0 X 65 SOCKET HEAD CAP SCREW	16
7	206103	UPPER BRACKET	1
8	205108	24MM-3.0 X 110 HEX HEAD CAP SCREW	8
9	203170	HYDRAULIC TRIP CYLINDER	1
10	206106	HYDRAULIC BRACKET FOR D62	1
11	39990	SPACER CUP	12
12	16892	DOWEL PIN	16
13	206109	30MM-3.5 X 220 HEX HEAD CAP SCREW 10.9	16
14	206104	CYLINDER BRACKET COMPLETE	1
15	205102	24MM-3.0 X 50 HEX HEAD CAP SCREW	6
16	203133	24MM-3.0 X 50 SOCKET HEAD HEX CAP SCREW	8

Hydraulic Starting Device (Trip)



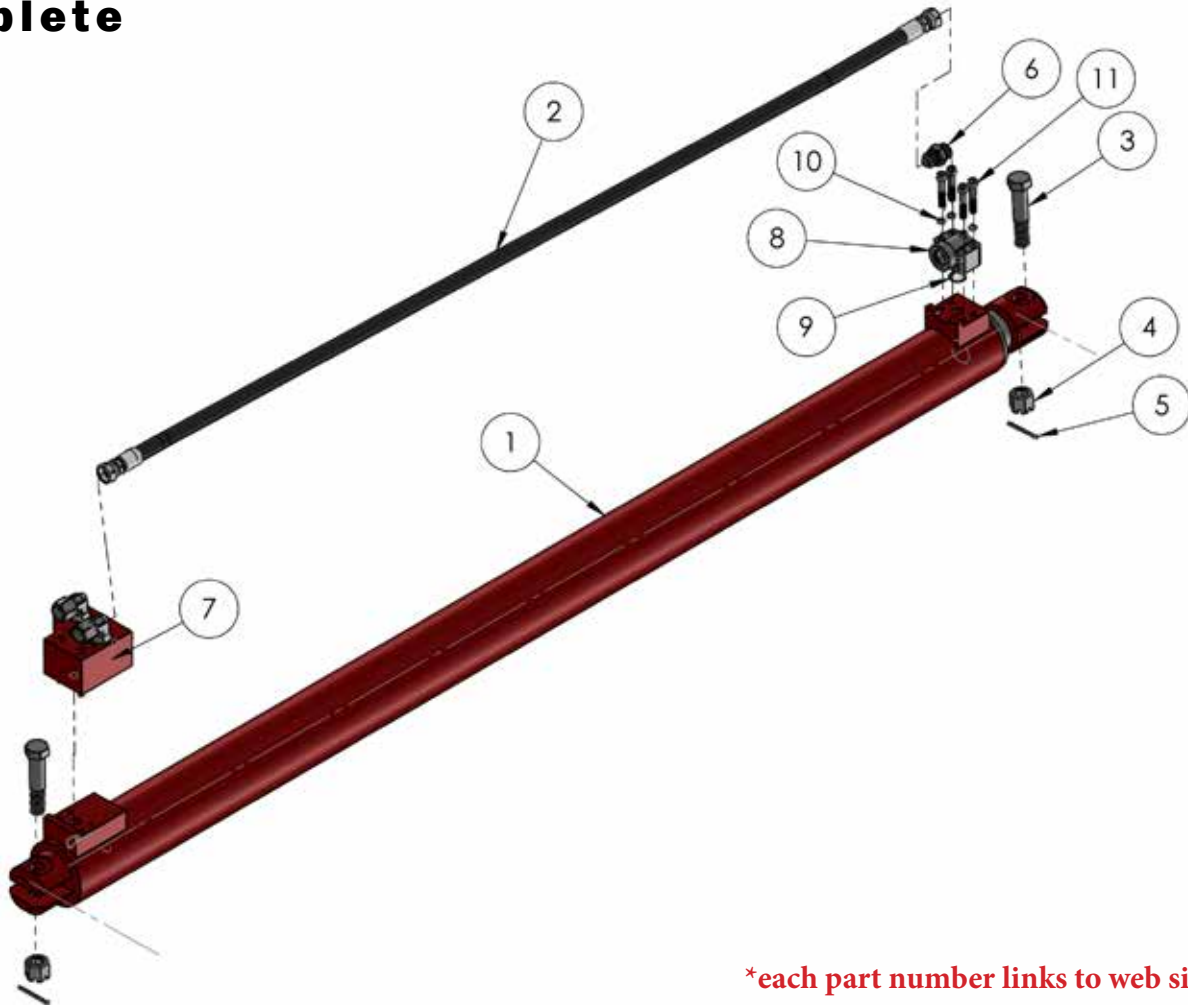
Hydraulic Starting Device (Trip) Assembly



*each part number links to web site part

ITEM NO.	PART NUMBER	DESCRIPTION	QTY.
1	104923	GUIDE BODY	1
2	16921	PAWL	1
3	104944	PIN	1
4	104952	PAWL LEVER	1
5	16781	SHACKLE	2
6	16922	JOINT BOLT	2
7	93242	CIRCLIP 45 X 1.75	4
8	95186	ROLL PIN 8 x 80	2
9	16801	LEAF SPRING	3
10	17045	PLATE	1
11	93414	10MM-1.5 X 30 SERRATED LOCKING SCREW	3
12	16916	SLEEVE	2
13	90791	GREASE NIPPLE M10 X 1	2
14	91321	10MM X 75 ROLL PIN	2
15	90160	6MM X 60 DOWEL PIN (SPLIT)	2

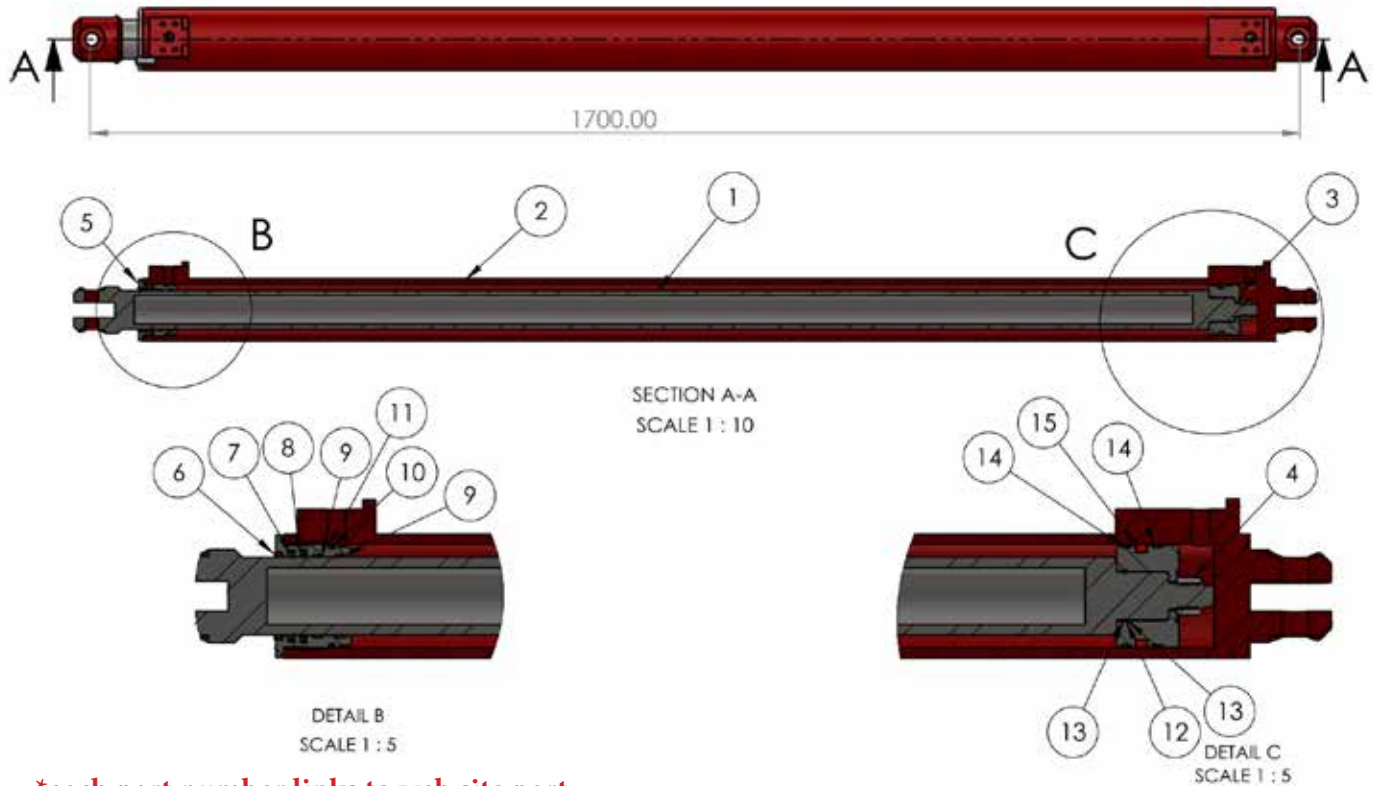
Hydraulic Cylinder Complete



*each part number links to web site part

ITEM NO.	PART NUMBER	DESCRIPTION	QTY.
1	203171	HYDRAULIC START CYLINDER	1
2	203175	1950MM HOSE	1
3	205110	24MM-3.0 X 110 HEX HEAD CAP SCREW w/ PIN HOLE	2
4	205111	M24 SLOTTED HEX NUT	2
5	205112	5 X 40 COTTER PIN	2
6	203124	3/4-1 1/16 - 12 JIC Straight Thread Connectors 37° Flare /SAE-ORB 12 F50X	1
7	201108	LOWER HYDRAULIC BLOCK ASSEMBLY	1
8	203173	W184-12-12 ANCHOR FLANGE	1
9	203172	O-RING 2-214 24.99 X 3.53	1
10	207116	10MM HI COLLAR LOCK WASHER	4
11	203174	10MM X 55 SOCKET HEAD CAP SCREW	4

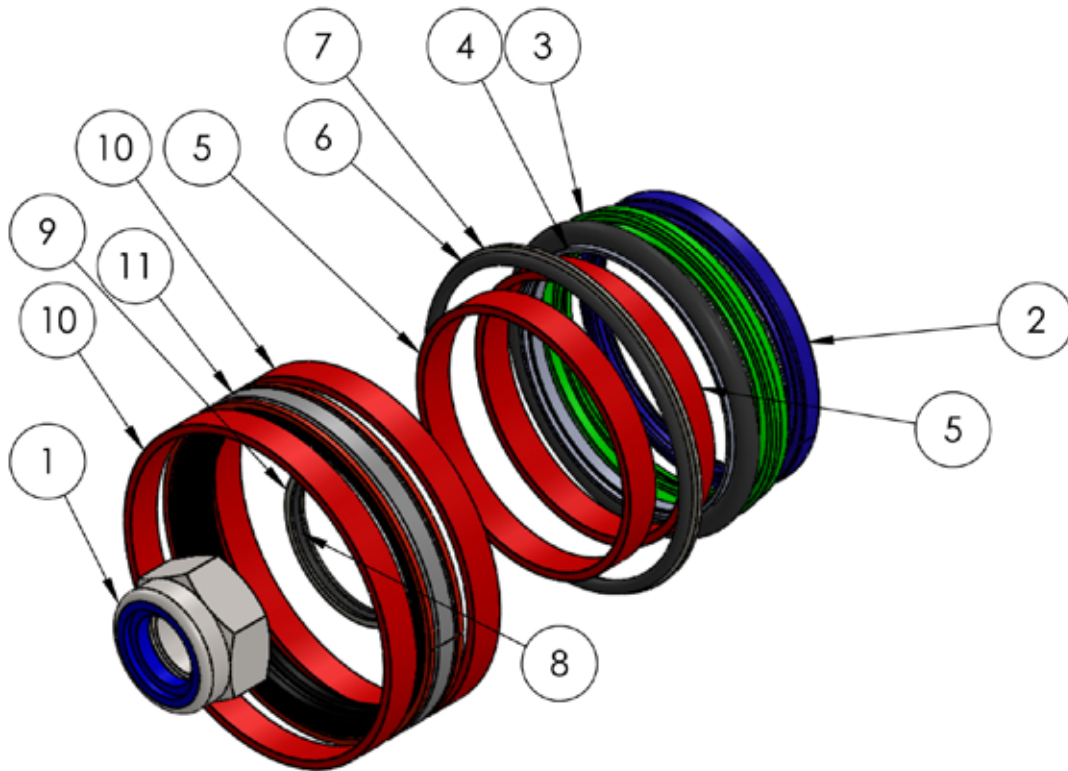
Hydraulic Cylinder Assembly



*each part number links to web site part

ITEM NO.	PART NUMBER	DESCRIPTION	QTY.
1	203178	CYLINDER ROD	1
2	203180	CYLINDER SLEEVE	1
3	203181	PISTON	1
4	201104	20MM X 2.5 NYLON INSERT LOCK NUT	1
5	203179	CLINDER HEAD	1
6	203146	WIPER SEAL	1
7	203162	ROD SEAL	1
8	203163	ROD SEAL	1
9	203164	WEAR RING	2
10	203165	2-239 91.67X3.53 O-RING	1
11	203166	95X100.5-1.5 BACKING RING	1
12	203167	2-132 44.12×2.62 O-RING	1
13	203168	45×49-1 BACKING RING	2
14	203169	100X95-9.7 GUIDING RING	2
15	203155	100X85X12.5 DOUBLE ACTING PISTON SEAL	1

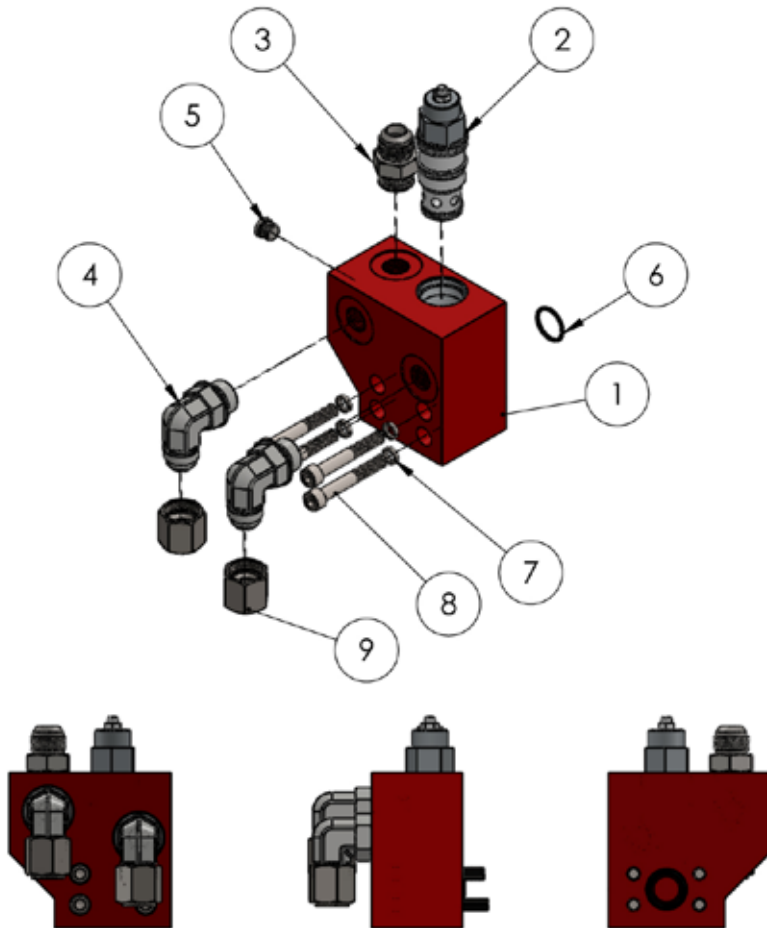
Hydraulic Start Cylinder Ring Kit



*each part number links to web site part

ITEM NO.	PART NUMBER	DESCRIPTION	QTY.
1	201104	20MM X 2.5 NYLON INSERT LOCK NUT	1
2	203146	WIPER SEAL	1
3	203162	ROD SEAL	1
4	203163	ROD SEAL	1
5	203164	WEAR RING	2
6	203165	2-239 91.67×3.53 O-RING	1
7	203166	95×100.5-1.5 BACKING RING	1
8	203167	2-132 44.12×2.62 O-RING	1
9	203168	45×49-1 BACKING RING	2
10	203169	100×95-9.7 GUIDING RING	2
11	203155	100×85×12.5 DOUBLE ACTING PISTON SEAL	1

Counterbalance Valve Assembly

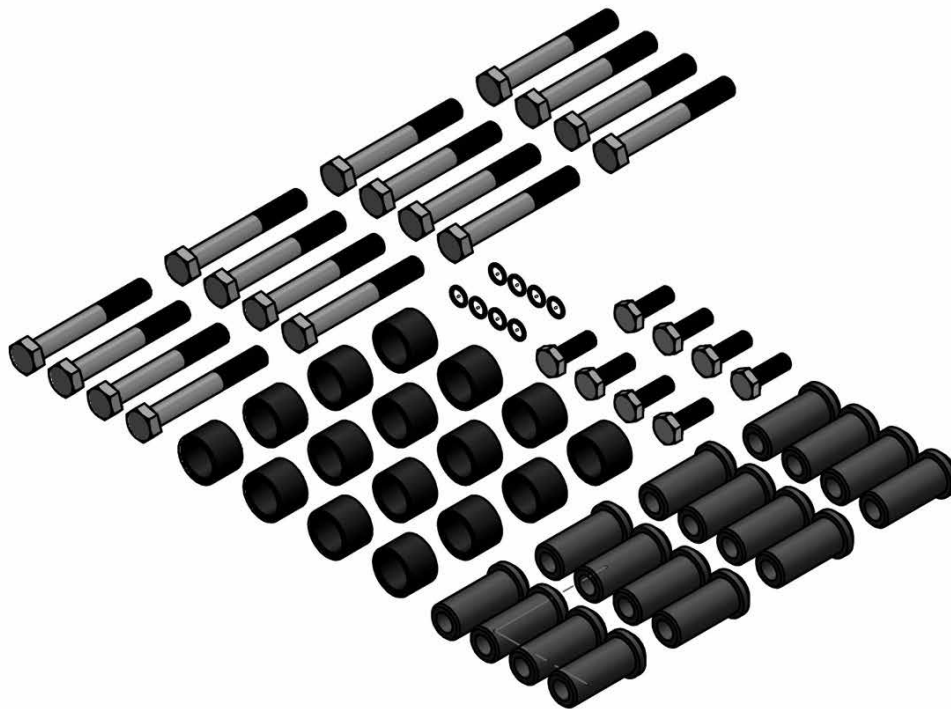


*each part number links to web site part

ITEM NO.	PART NUMBER	DESCRIPTION	QTY.
1	203177	LOWER HYDRAULIC BLOCK/COUNTER BALANCE VALVE	1
2	203122	CBGG-LJN COUNTERBALANCE VALVE	1
3	203124	3/4-1 1/16 - 12 JIC Straight Thread Connectors 37° Flare/SAE-ORB 12 F50X	1
4	203112	3/4-1 1/16 - 12 JIC 90 Thread Connectors 37° Flare /SAEORB 12 C50X	2
5	203125	G1/4 PLUG	1
6	203172	O-RING 2-214 24.99 X 3.53	1
7	207116	10MM HI COLLAR LOCK WASHER	4
8	207115	10MM-1.5 X 70 SOCKET HEAD CAP SCREW	4
9	203138	12 FNTX-S CAP	2

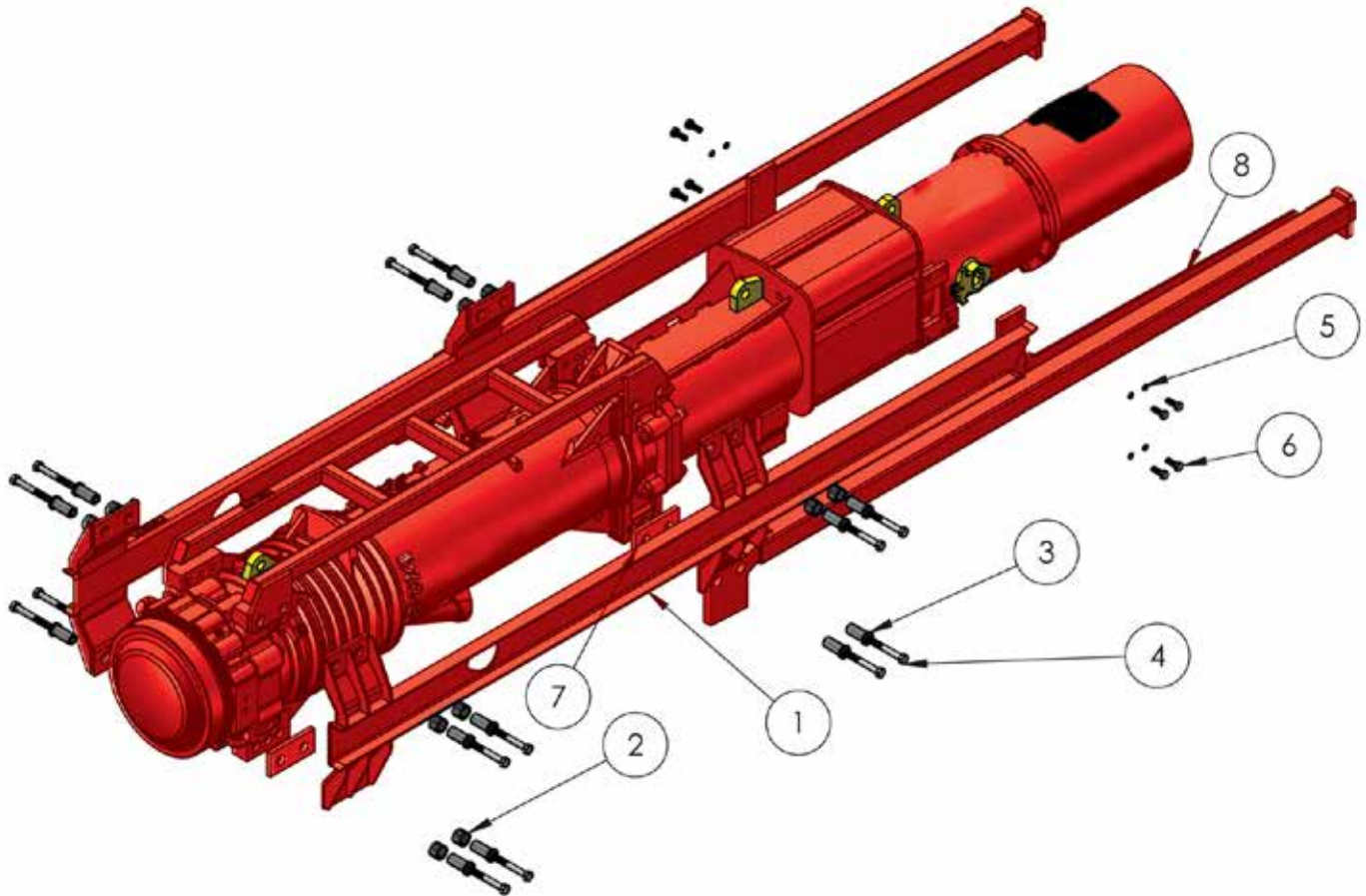
Guides



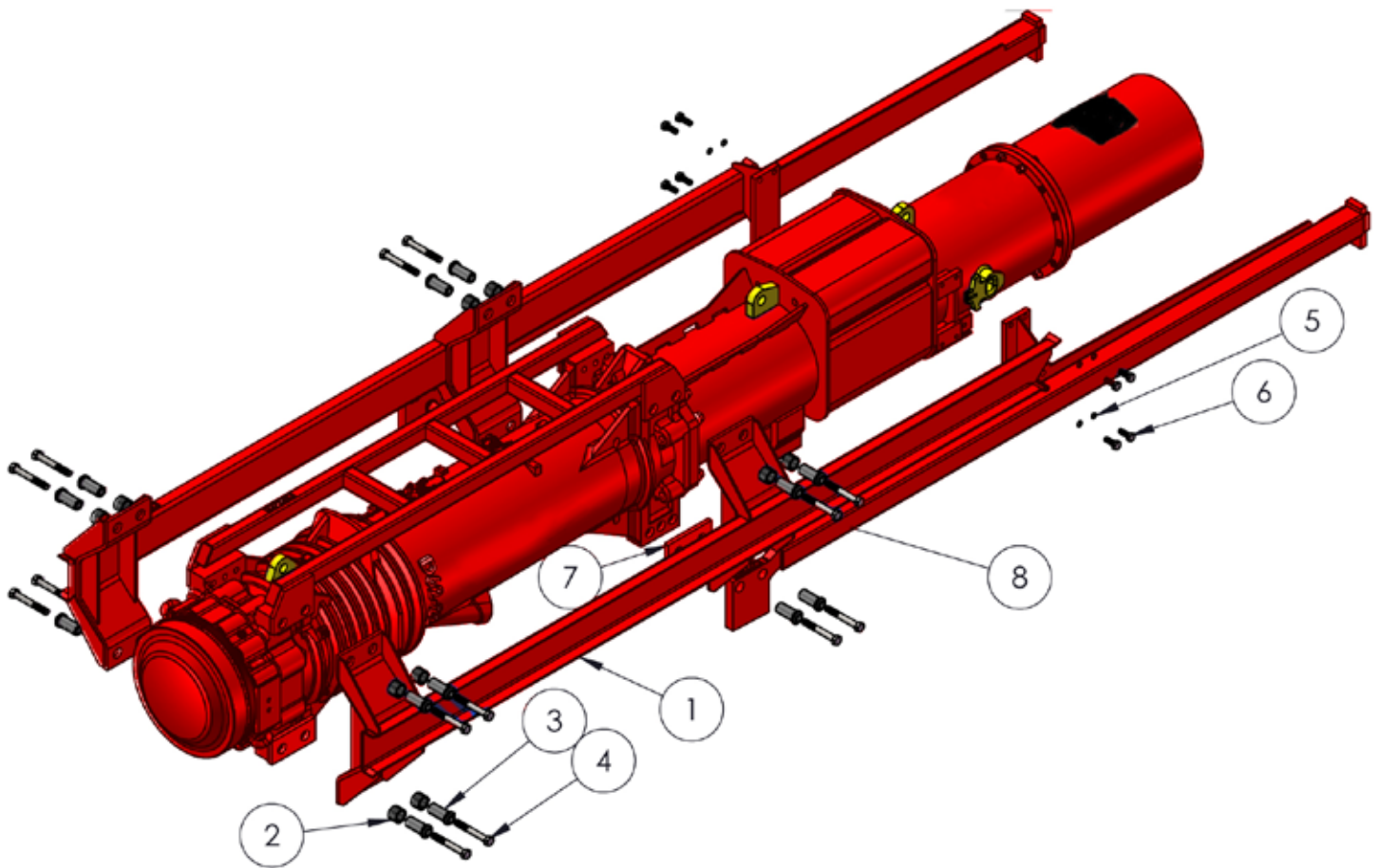
**D62 GUIDING HARDWARE
Assembly Kit**


*each part number links to web site part

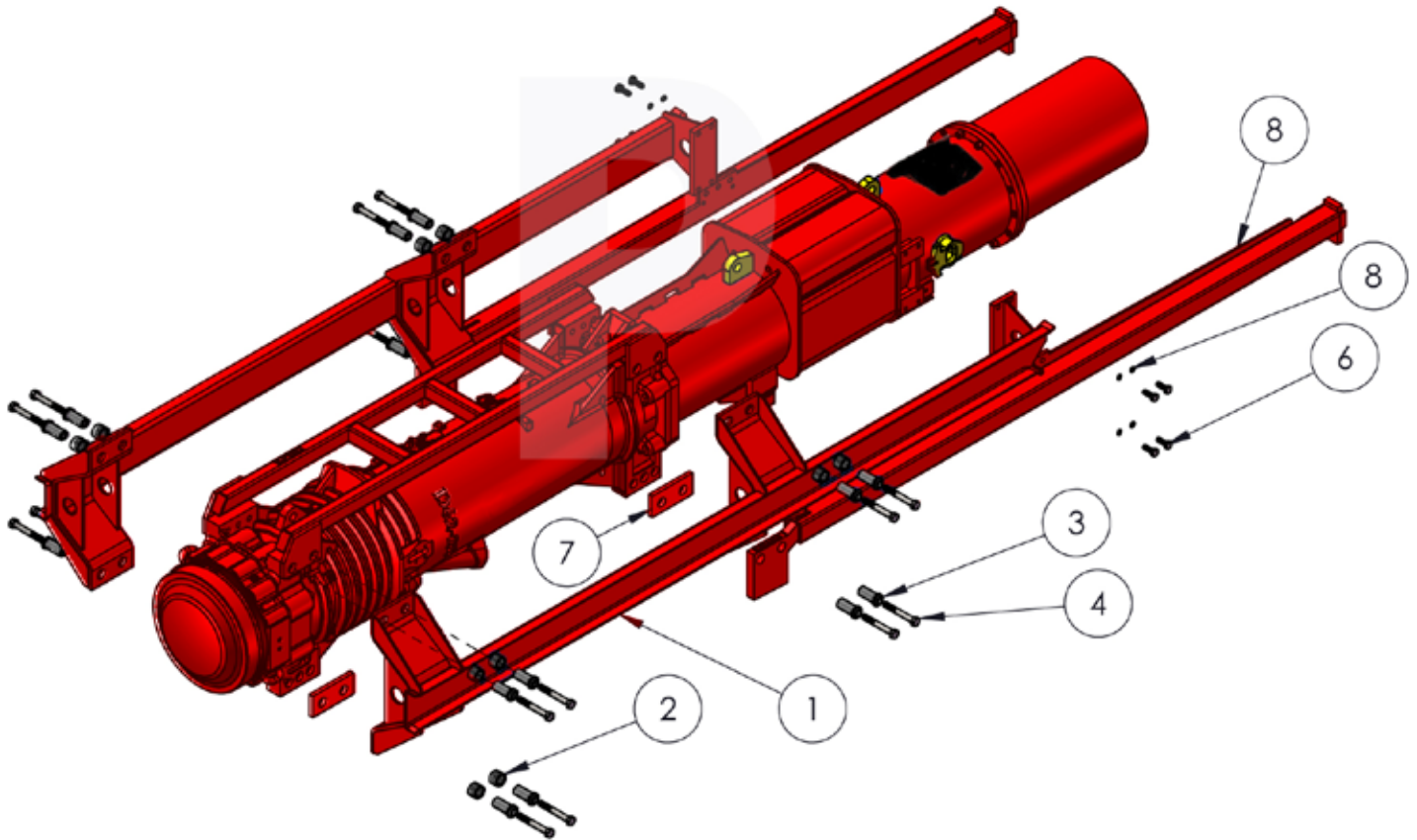
ITEM NO.	PART NUMBER	DESCRIPTION	QTY
1	16892	DOWEL PIN 55MM X 118MM	16
2	39990	SPACER	16
3	206109	30-3.5 X 220 HEX HEAD CAPSCREW 10.9	16
4	261417	24MM-3.0 X 70 HEX HEAD CAPSCREW 8	
5	203131	24MM SCHNORR SAFETY WASHER	8

**D62 U-32 X 8 LEAD GUIDING
Assembly**


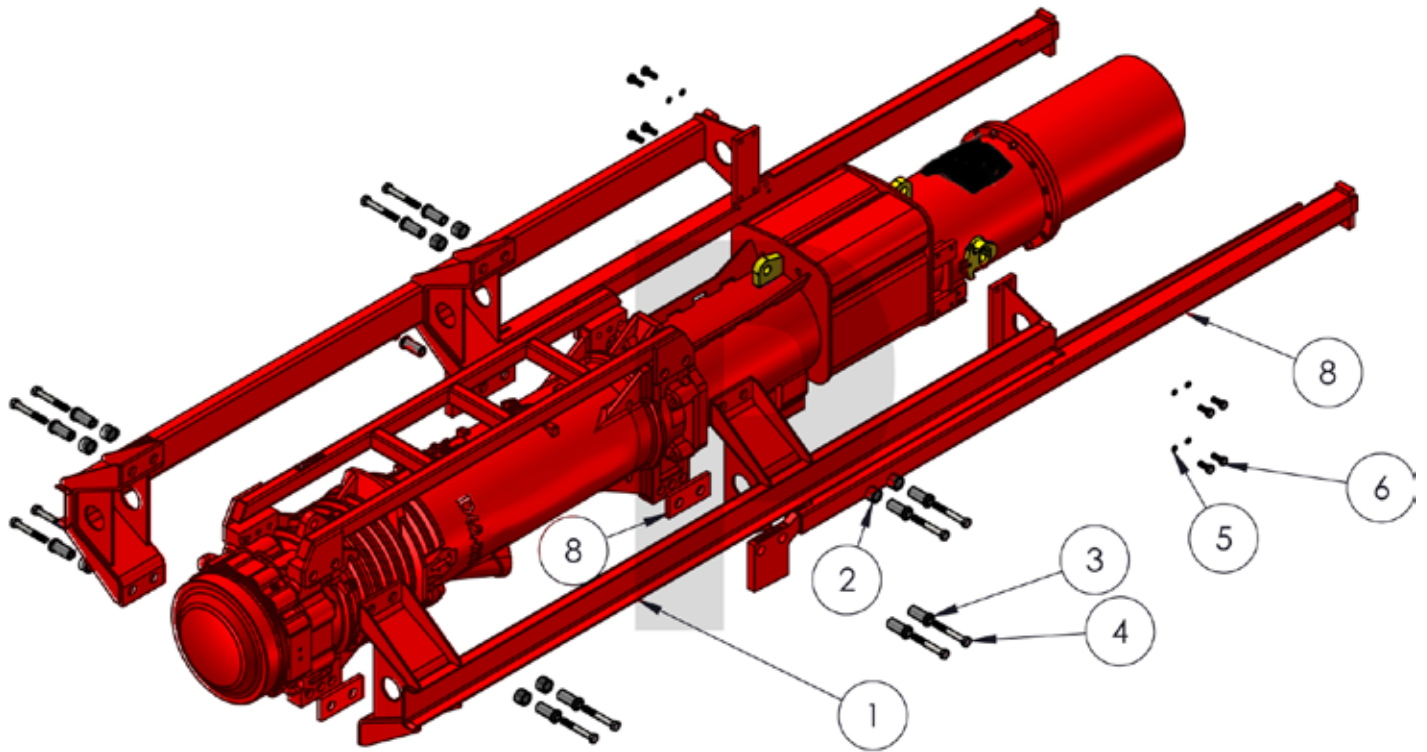
ITEM NO.	PART NUMBER	DESCRIPTION	QTY.
1	206203	U-32 LEAD GUIDING SET	1
2	39990	SPACER	12
3	16892	DOWEL PIN 55MM X 118MM	16
4	206109	30-3.5 X 220 HEX HEAD CAPSCREW 10.9	16
5	203131	24MM SCHNORR SAFETY WASHER	8
6	261417	24MM-3.0 X 70 HEX HEAD CAPSCREW	8
7 SOLD SEPERATELY	206215	SPACER BLOCK	4
8 SOLD SEPERATELY	206243	MANUAL TRIP STARTER GUIDE	1

**D62 U-42 X 8 LEAD GUIDING
Assembly**


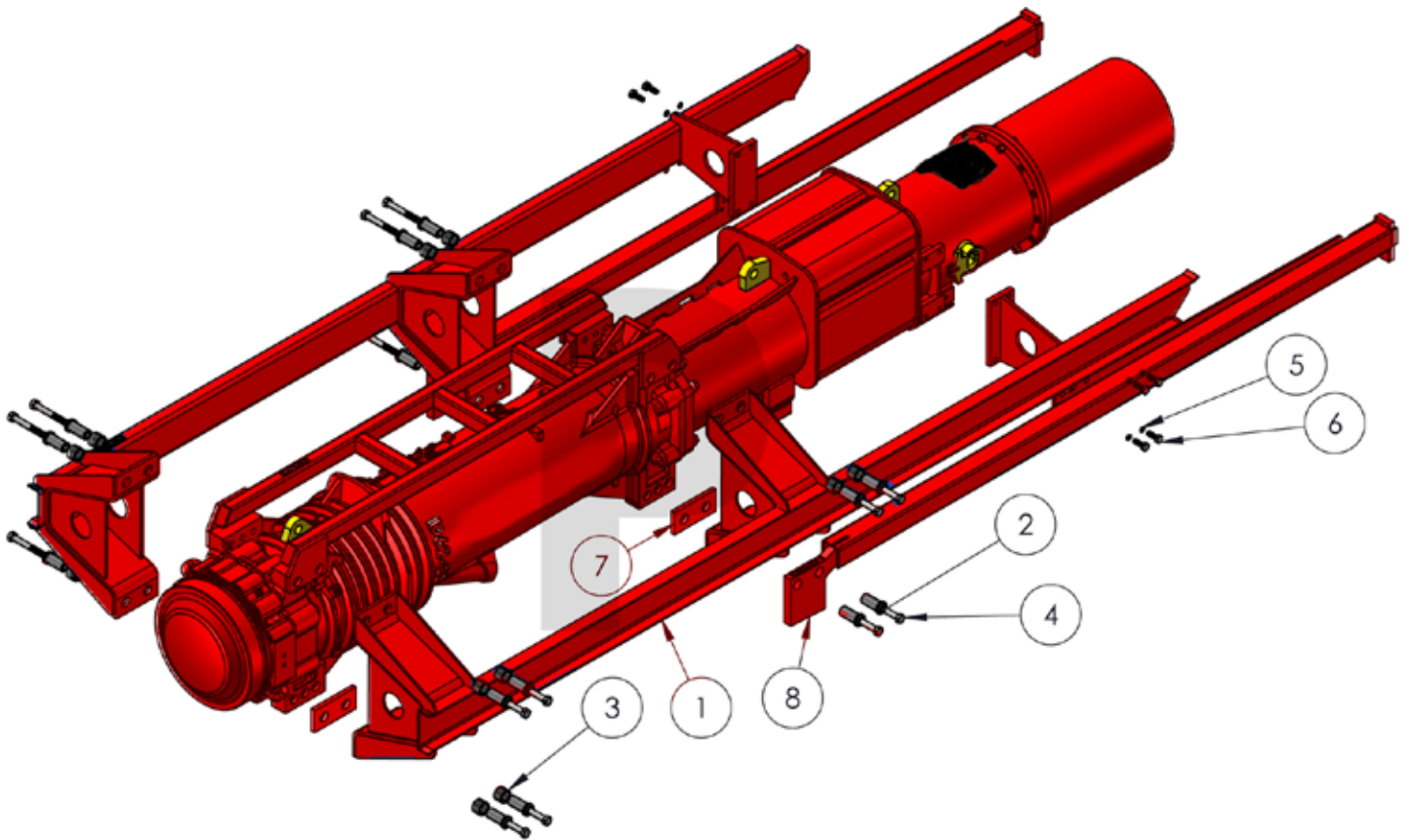
ITEM NO.	PART NUMBER	DESCRIPTION	QTY.
1	206204	U-42 LEAD GUIDING FOR D62	1
2	39990	SPACER	12
3	16892	DOWEL PIN 55MM X 118MM	16
4	206109	30-3.5 X 220 HEX HEAD CAPSCREW 10.9	16
5	203131	24MM SCHNORR SAFETY WASHER	8
6	261417	24MM-3.0 X 70 HEX HEAD CAPSCREW	8
7 SOLD SEPERATELY	206215	SPACER BLOCK	4
8 SOLD SEPERATELY	206243	MANUAL TRIP STARTER GUIDE	1

**D62 U-48 X 8 LEAD GUIDING
Assembly**


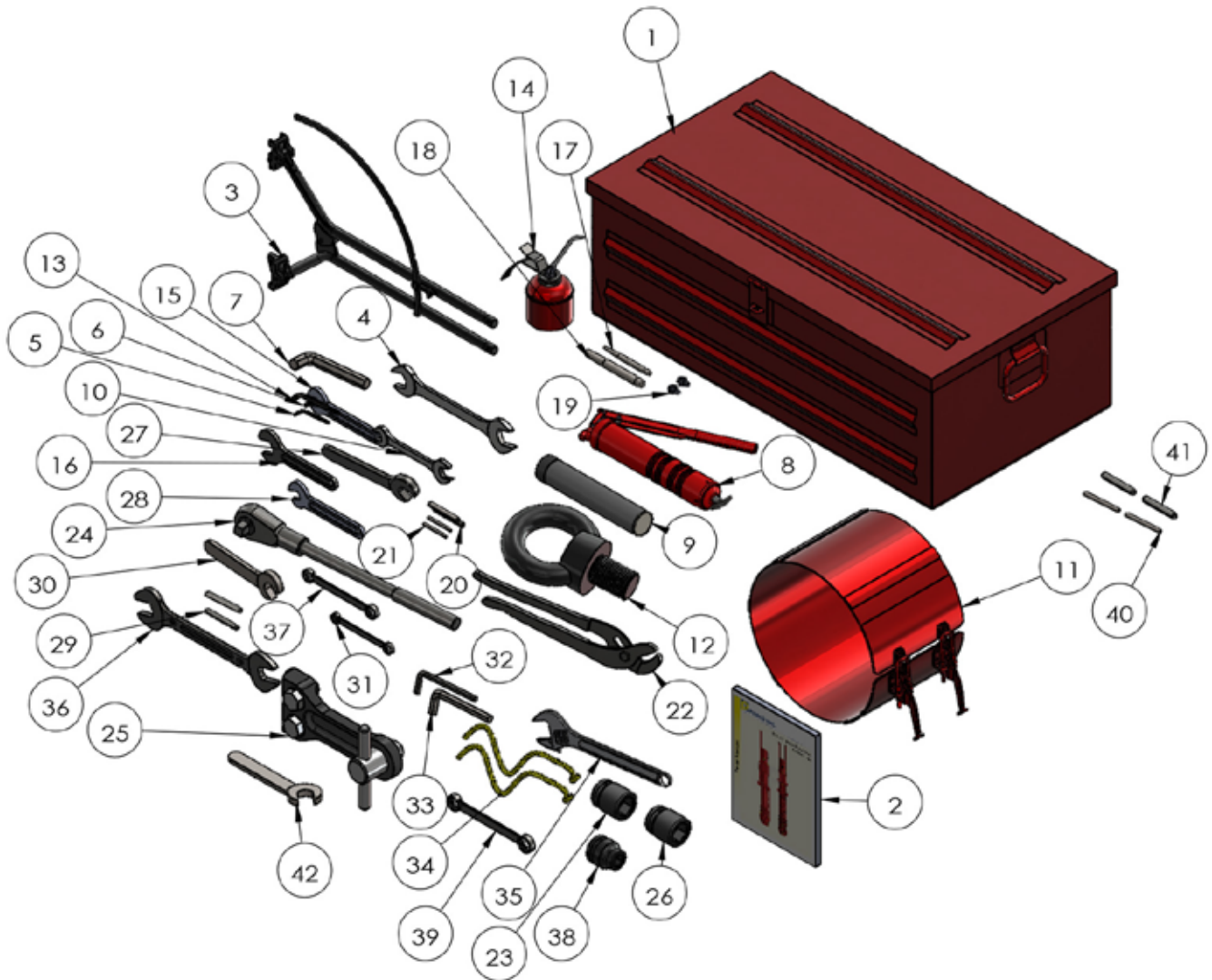
ITEM NO.	PART NUMBER	DESCRIPTION	QTY.
1	206205	U-48 LEAD GUIDING FOR D62	1
2	39990	SPACER	12
3	16892	DOWEL PIN 55MM X 118MM	16
4	206109	30-3.5 X 220 HEX HEAD CAPSCREW 10.9	16
5	203131	24MM SCHNORR SAFETY WASHER	8
6	261417	24MM-3.0 X 70 HEX HEAD CAPSCREW	8
7 SOLD SEPERATELY	206215	SPACER BLOCK	4
8 SOLD SEPERATELY	206243	MANUAL TRIP STARTER GUIDE	1

**D62 U-54 X 8 LEAD GUIDING
Assembly**


ITEM NO.	PART NUMBER	DESCRIPTION	QTY.
1	206206	U-54 LEAD GUIDING FOR D62	1
2	39990	SPACER	12
3	16892	DOWEL PIN 55MM X 118MM	16
4	206109	30-3.5 X 220 HEX HEAD CAPSCREW 10.9	16
5	203131	24MM SCHNORR SAFETY WASHER	8
6	261417	24MM-3.0 X 70 HEX HEAD CAPSCREW	8
7 SOLD SEPERATELY	206215	SPACER BLOCK	4
8 SOLD SEPERATELY	206243	MANUAL TRIP STARTER GUIDE	1

**D62 U-66 X 8 LEAD GUIDING
Assembly**


ITEM NO.	PART NUMBER	DESCRIPTION	QTY.
1	206207	U-66 LEAD GUIDING SET	1
2	16892	DOWEL PIN 55MM X 118MM	16
3	39990	SPACER	12
4	206109	30-3.5 X 220 HEX HEAD CAPSCREW 10.9	16
5	203131	24MM SCHNORR SAFETY WASHER	8
6	261417	24MM-3.0 X 70 HEX HEAD CAPSCREW	8
7 SOLD SEPERATELY	206215	SPACER BLOCK	4
8 SOLD SEPERATELY	206243	MANUAL TRIP STARTER GUIDE	1

**Tool Box
Complete**


**Tool Box
Complete**

ITEM NO.	PART NUMBER	DESCRIPTION	QTY.
1	8002385	TOOL BOX PART	1
2	90890	TOOLBOX BOOK	1
3	16897	PISTON RING FITTING PLIERS COMPLETE	1
4	90655	30 X 32 DOUBLE ENDED OPEN WRENCH	1
5	90055	5MM HEX KEY	1
6	90862	6MM HEX KEY	1
7	90194	19MM HEX KEY	1
8	90795	GREASE GUN, 14 OZ	1
9	93551	MOLYLUBE GREASE	1
10	90443	19 X 22 OPEN END WRENCH	1
11	16994	PISTON RING BAND	1
12	94285	M56 RING SCREW	1
13	90657	8MM HEX KEY	1
14	93600	OIL CAN	1
15	95071	17MM WRENCH SINGLE OPEN END	1
16	90465	27MM SINGLE ENDED OPEN WRENCH	1
17	90354	PUNCH 4/8 DIAMETER	1
18	93349	PUNCH 12/16 DIAMETER	1
19	90791	GREASE NIPPLE M10 X 1	2
20	91321	10MM X 75 ROLL PIN	2
21	90160	6MM X 60 ROLL PIN	2
22	90785	PLIERS A19	1
23	94461	IMPACT SOCKET 36MM	1
24	90196/205014	RACHET	1
25	22700	ASSEMBLY PLATE COMPLETE	1
26	90199	IMPACT SOCKET 46MM	1
27	206006	SINGLE ENDED OPEN SPANNER 36	1
28	90660	13MM WRENCH SINGLE OPEN END	1
29	90147	10MM X 32 DOWEL PIN (SPLIT)	2
30	90184	SINGLE ENDED OPEN WRENCH 46	1
31	261512	13 X 15 DOUBLE ENDED RING WRENCH	1
32	90469	10MM HEX KEY	1

CONTINUED.....

**Tool Box
Complete**

ITEM NO.	PART NUMBER	DESCRIPTION	QTY.
33	90079	14MM HEX KEY	1
34	205018	8 X 90 REGULATION ROPE	2
35	93352	SPANNER 375X46	1
36	95834	DOUBLE ENDED OPEN SPANNER 22 X 24	1
37	92015	17 X 19 OPEN ENDED SPANNER	1
38	90197	IMPACT SOCKET 22MM	1
39	95843	DOUBLE ENDED RING SPANNER 22X24	1
40	95186	ROLL PIN 8 x 80	2
41	90600	ROLL PIN 13 x 80	2
42	261510	SINGLE ENDED OPEN WRENCH 55	1