

**Parts Manual
Vibratory Hammer
P-46**

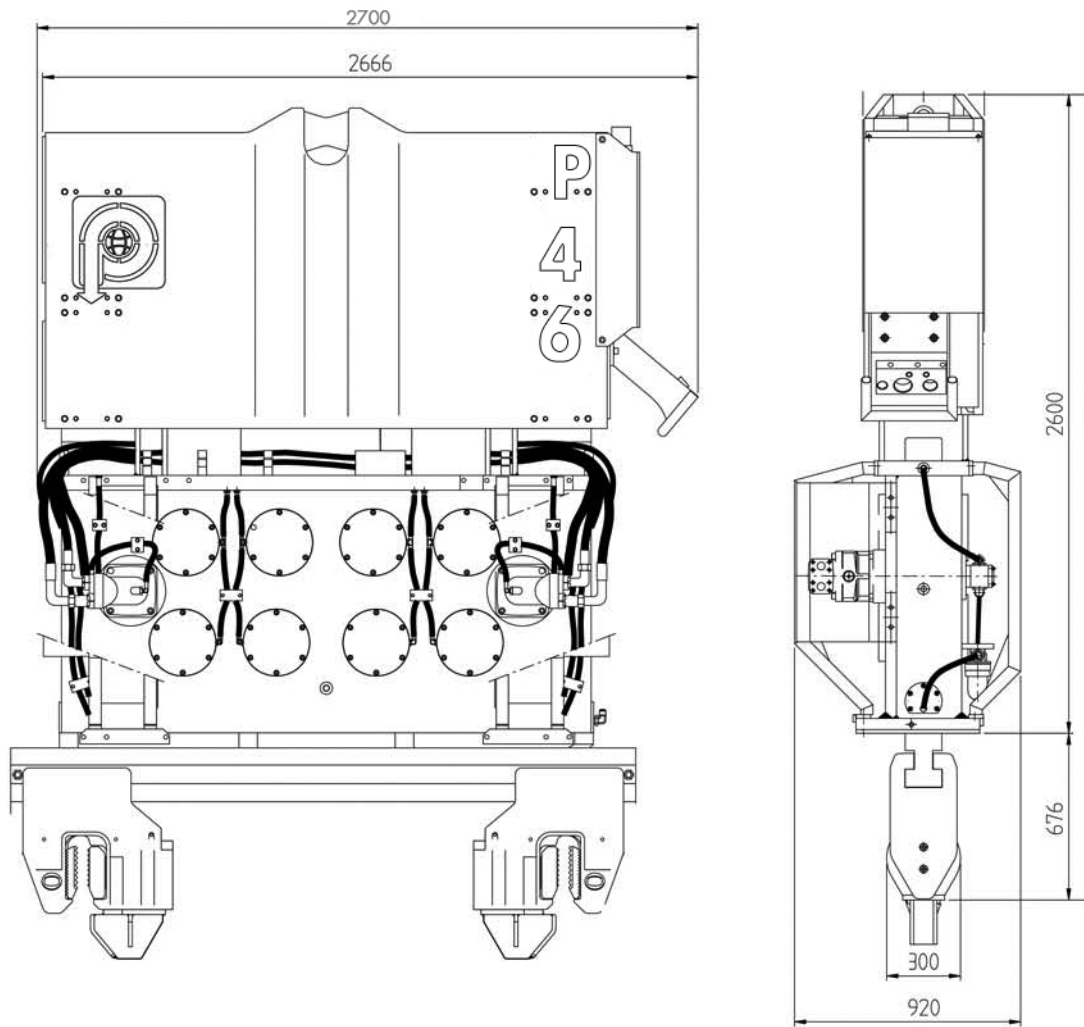
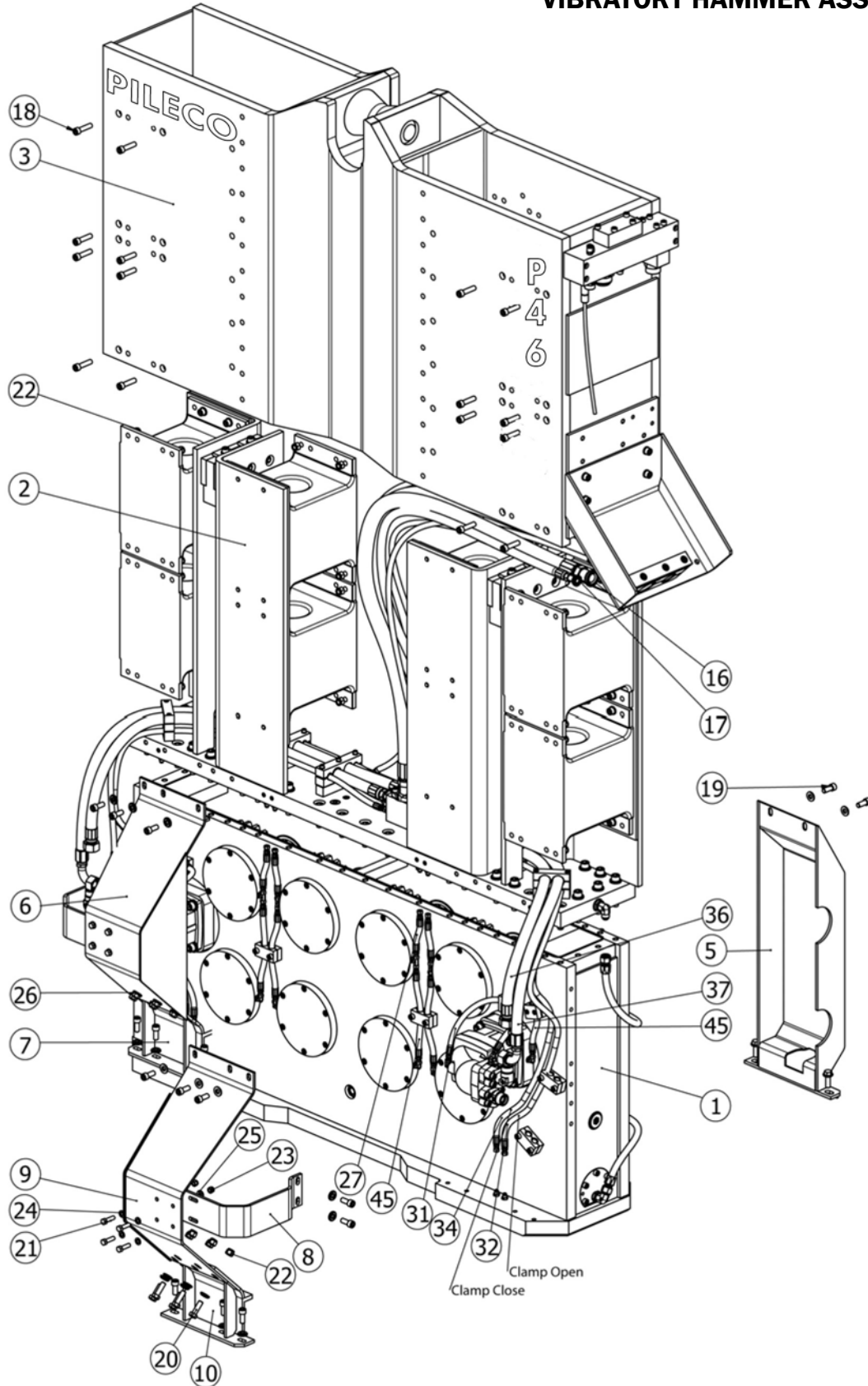


TABLE OF CONTENTS

VIBRATORY HAMMER ASSEMBLY – DRAWING	3
VIBRATORY HAMMER ASSEMBLY – DRAWING	4
VIBRATORY HAMMER ASSEMBLY – PARTS	5
SUPPRESSOR HOUSING ASSEMBLY – DRAWING	6
SUPPRESSOR HOUSING ASSEMBLY – PARTS	7
VIBRATION CASE ADAPTER ASSEMBLY – DRAWING	8
VIBRATION CASE ADAPTER ASSEMBLY – PARTS	9
VIBRATION CASE ASSEMBLY – DRAWING	10
VIBRATION CASE ASSEMBLY – PARTS	11-12
BOTTOM VIEW OF VIBRATION CASE	13
COOLER ASSEMBLY – DRAWING	14
COOLER ASSEMBLY – PARTS	15
HOSES 40M COOLER – DRAWING	16
HOSES 40M COOLER – PARTS	17
QUIK DISCONNECT 1½" – DRAWING	18
QUIK DISCONNECT 1½" – PARTS	19

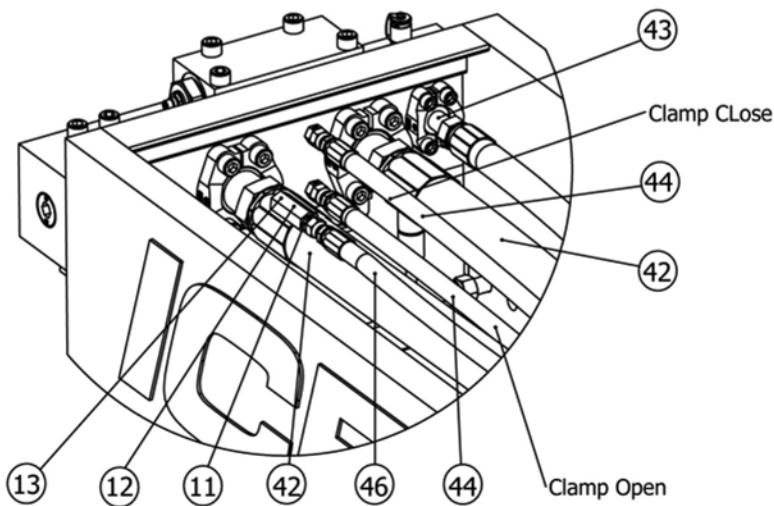
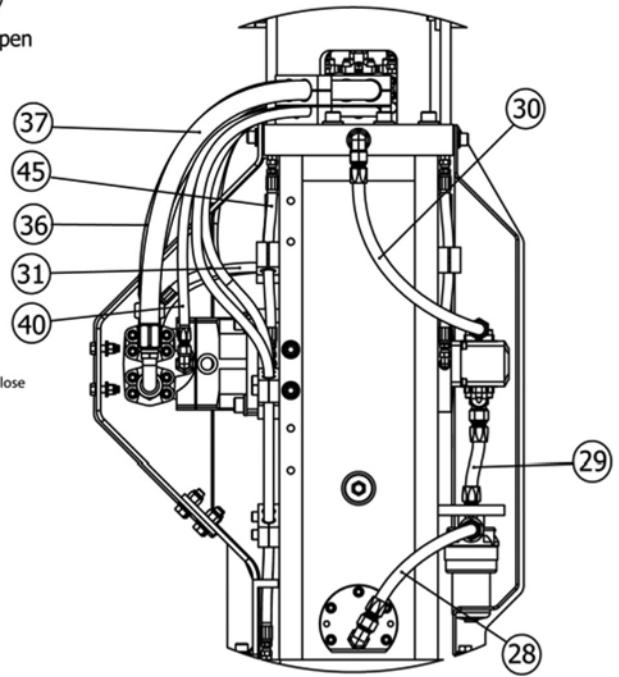
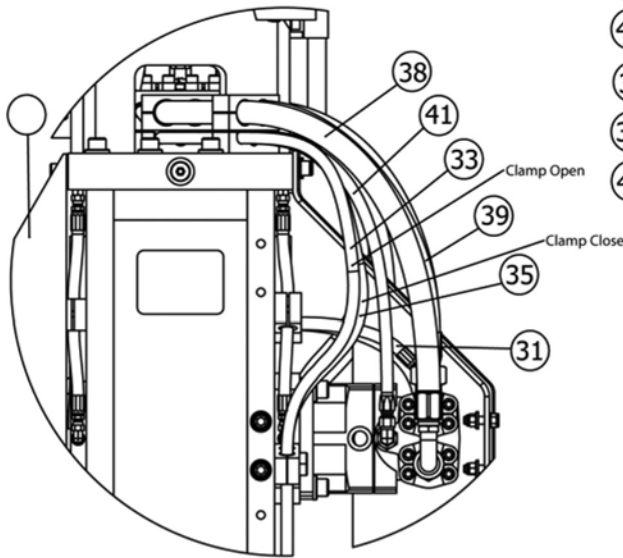
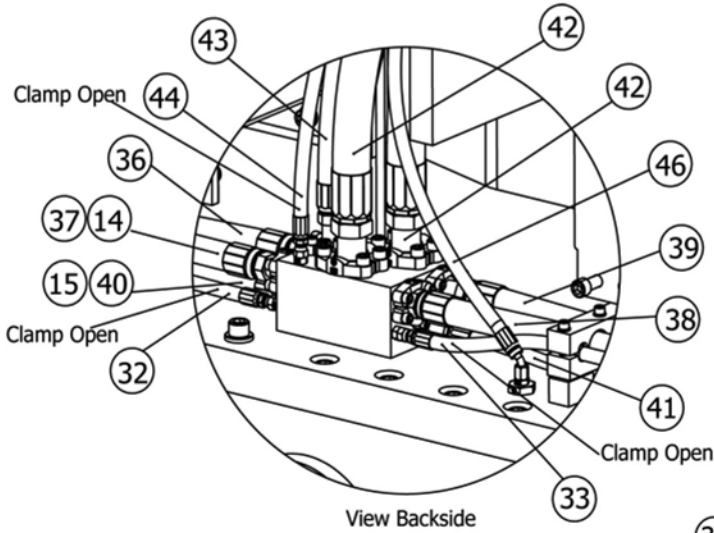
VIBRATORY HAMMER ASSEMBLY DRAWING



Parts Manual Vibratory Hammer P-46



VIBRATORY HAMMER ASSEMBLY DRAWING



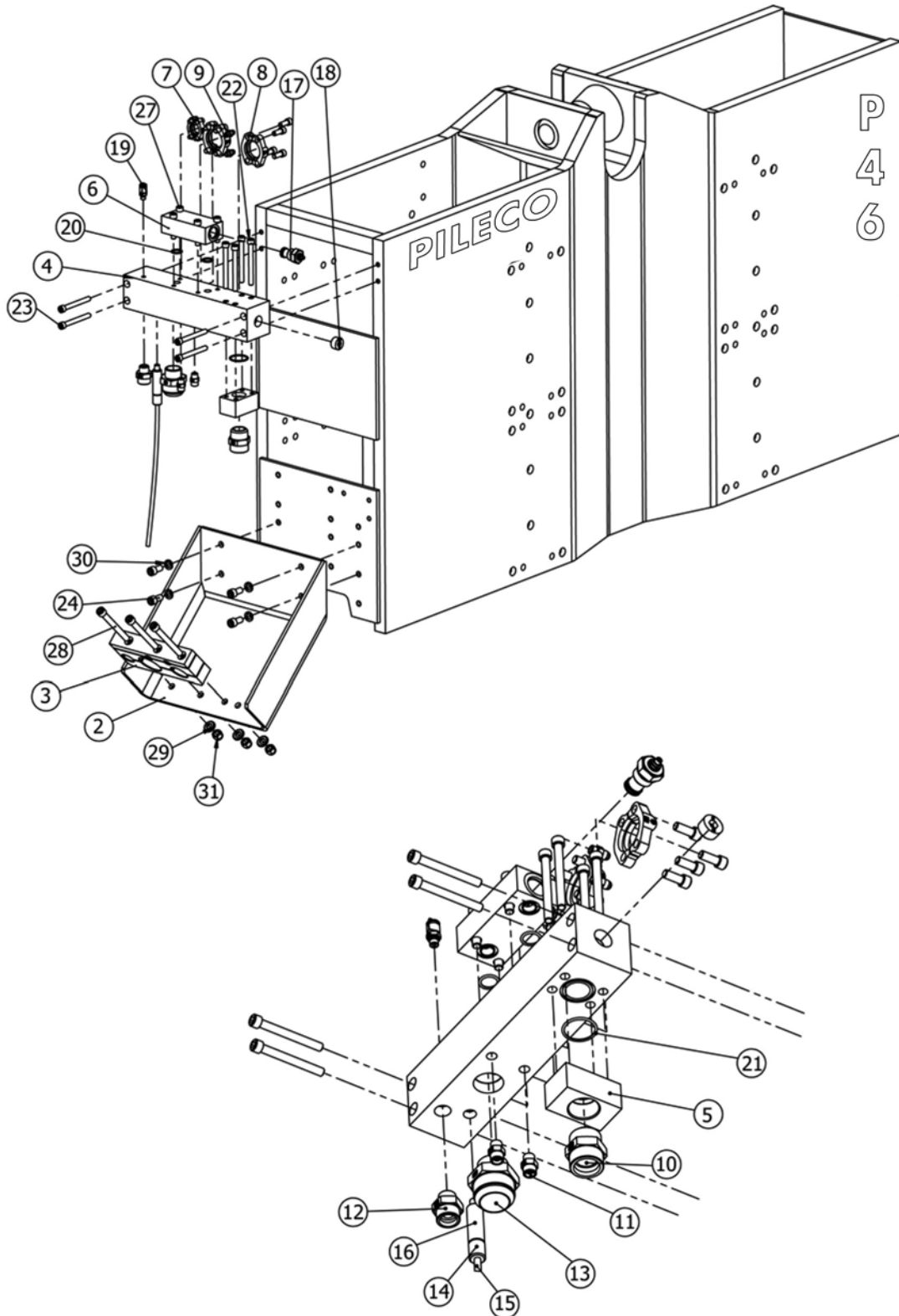
**Parts Manual
Vibratory Hammer
P-46**



VIBRATORY HAMMER ASSEMBLY PARTS

ITEM NO.	PART NO.	DESCRIPTION	QTY.
1	815C3002	Vibration Case Assembly	1
2	815C2001	Vibration Case Adapter Assembly	1
3	815C1001	Suppressor Housing Assembly	1
4	0805125	Pump Guard Right	1
5	0711109	Pump Guard Left	1
6	0711113	Motor Guard Upper Left	1
7	0711114	Motor Guard Bottom Left	1
8	0711108	Motor Guard	2
9	0711106	Motor Guard Upper Right	1
10	0711107	Motor Guard Bottom Right	1
11	130.399	Fitting - 6FMTX	1
12	140.509	Checkvalve	1
13	100.845	Plug 1/4" NPT	1
14	100.091	O-Ring #219	1
15	100.107	O-Ring #210	2
16	110.119	O-Ring #225	4
17	100.097	O-Ring #214	2
18	100.071	SHCS 5/8" - 11 X 2 1/2"	32
19	110.225	SHCS 5/8" - 11 X 1 1/2"	20
20	790.167	HHCS 5/8" - 13 X 1 3/4"	18
21	0805029	HHCS 1/2" - 13 X 1 3/4"	8
22	100.086	Lock Nut 5/8"	42
23	130.049	Lock Nut 1/2" - 13	8
24	790.105	Flat Washer ISO 7089 M12 - 140HV Zp	8
25	790.460	T-Ring-13-St - ZP	8
26	9907005	Washer 17 St.	38
27	9402008	HOSE038R02J006J006L00650	8
28	9308044	HOSE075R02J012J012L01570	1
29	9211005	HOSE063R01J012J012L00690	1
30	9203040	HOSE075R02J012J012L02150	1
31	9207007	HOSE038R02J006J006L02550	2
32	0801050	Hose K-462SN0606060606-2025	1
33	0801052	Hose K-462SN0606060606	1
34	0801049	Hose K-462SN0606060606-1990	1
35	0801051	Hose K-462SN0606060606-2390	1
36	0105003	HOSE100PT4Y042F016L04980	1
37	0105004	HOSE100PT4Y942F016L05720	1
38	0105006	HOSE100PT4Y942F016L07300	1
39	0105005	HOSE100PT4Y042F016L07300	1
40	100.835	Hose K-412SN68150080808-1334	1
41	9206036	HOSE050R02J008F008L06800	1
42	110.123	HOSE150PT6F024F024L08750	1
43	0610007	HOSE075R02F012F012L08680	1
44	0610006	HOSE038R02J006J006L08500	2
45	9402009	HOSE038R02J006J006L1420	12
46	0201020	HOSE038R02J006J406L08500	1

Parts Manual
Vibratory Hammer
P-46



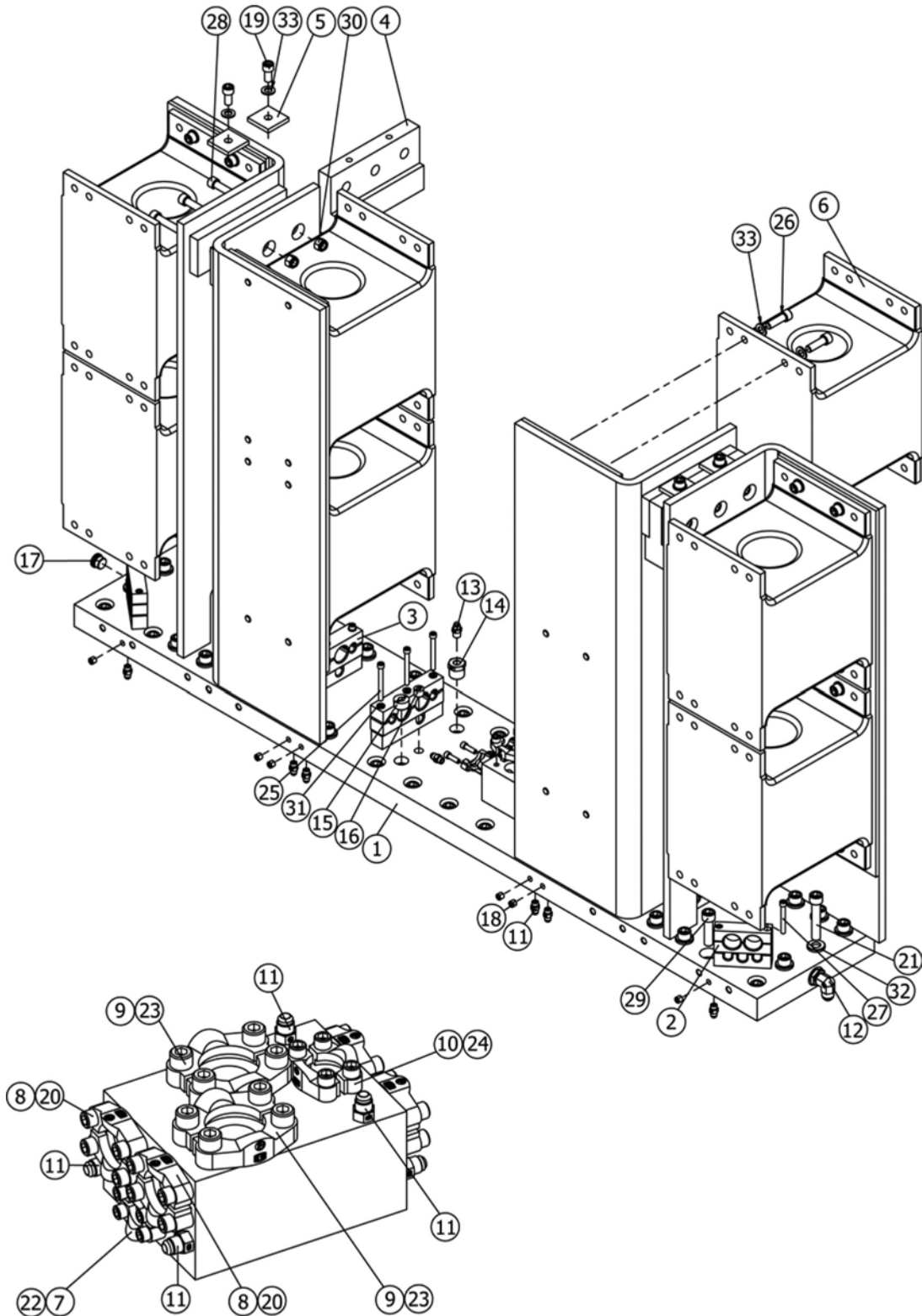
**Parts Manual
Vibratory Hammer
P-46**



SUPPRESSOR HOUSING ASSEMBLY PARTS

ITEM NO.	PART NUMBER	DESCRIPTION	QTY.
1	815C1100	Logo Assembly	1
2	0710101	Hose Guide	1
3	0710103	Hose Clamp	1
4	110.733	Terminal Manifold	1
5	0412107	Manifold Adapter Block	1
6	110.723	Check Valve Body	1
7	100.049	Splitflange FHS33CFX	2
8	100.596	Splitflange FHS36CFX	4
9	100.053	Fitting – 6F5OMXS	2
10	0710033	Fitting – 38S	1
11	0710029	Fitting – 12S	2
12	0811009	Fitting – 25S	1
13	110.269	Fitting – 32–24FFTXS	1
14	0804023	Fitting – F3PB10 – 1/2"	1
15	0804024	Nylon Tubing	1
16	0710010	Relief Valve	1
17	0812005	Relief Valve	1
18	100.063	Plug 1" NPT	1
19	790.909	Test Coupling	1
20	100.097	O–Ring #214	2
21	110.119	O–Ring #225	1
22	100.084	SHCS 1/2" – 13 X 5"	4
23	100.025	SHCS 1/2" – 13 X 4 1/2"	4
24	100.575	SHCS 5/8" – 11 X 1 1/4"	4
25	100.051	SHCS 3/8" – 16 X 1"	4
26	100.119	SHCS 1/2" – 13 X 1 1/4"	8
27	110.735	SHCS 1/2" – 13 X 2 1/2"	4
28	0710027	SHCS DIN 912 5/8" – 11 X 6 12.9	3
29	9907005	Washer 17st	3
30	100.007	Spring Washer 5/8"	4

VIBRATION CASE ADAPTER ASSEMBLY DRAWING



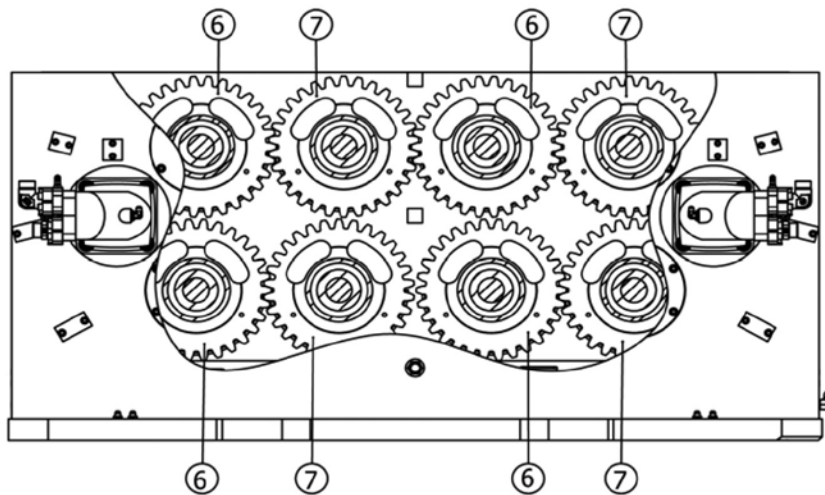
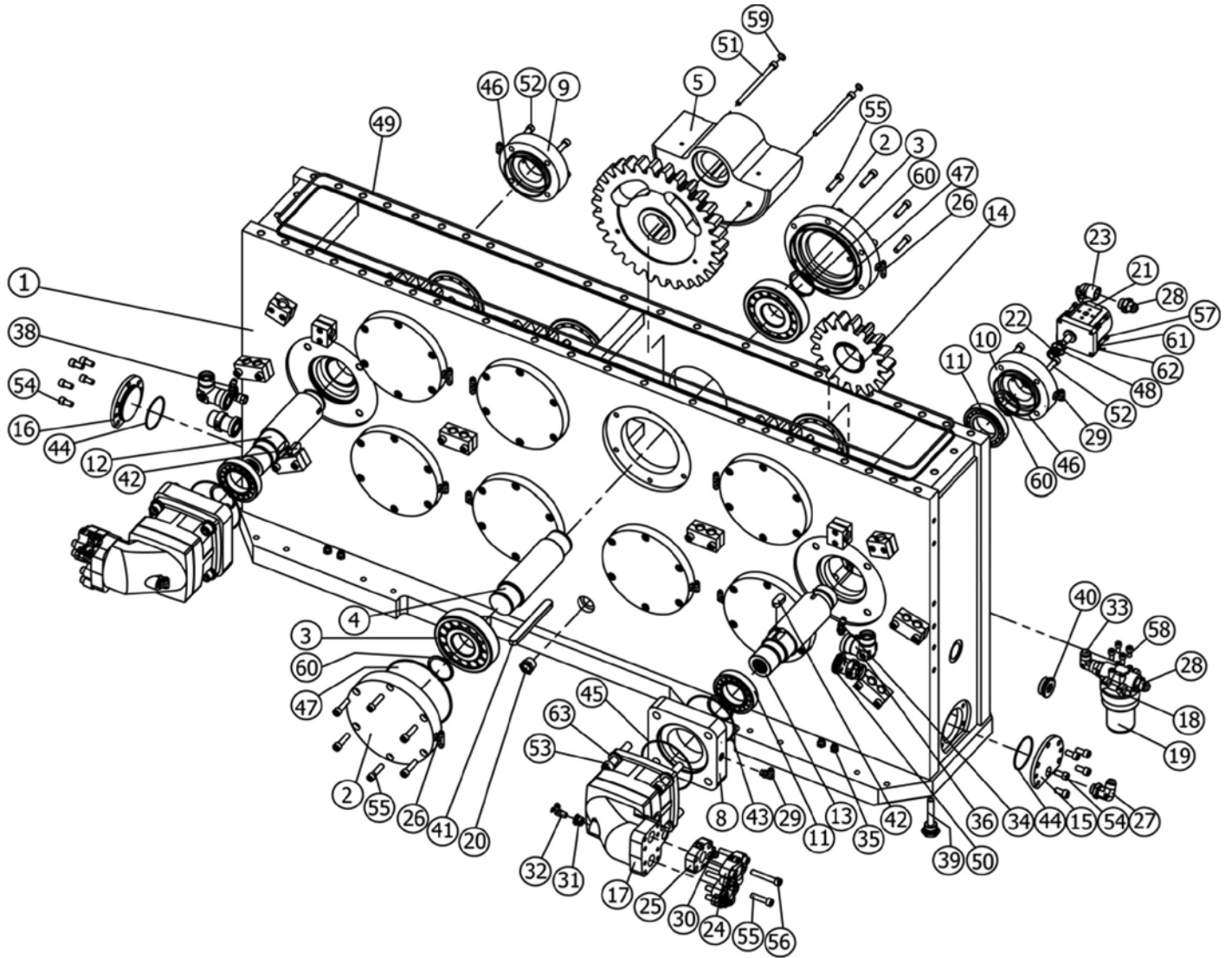
**Parts Manual
Vibratory Hammer
P-46**



VIBRATION CASE ADAPTER ASSEMBLY PARTS

ITEM NO.	PART NUMBER	DESCRIPTION	QTY.
1	92051102	Vibration Case Adapter Assembly	1
2	0711100	Double Hose Clamp	4
3	100.821	Hose Clamp	2
4	100.074	Stop Block	2
5	100.915	Stop Block Plate	4
6	100.003	Elastomer	8
7	100.103	Splitflange FHS32CFX	4
8	100.089	Splitflange FHS34CFX	8
9	100.596	Splitflange FHS36CFX	4
10	100.049	Splitflange FHS33CFX	2
11	100.053	Fitting – 6F50MXS	18
12	790.636	Fitting – 12C40MXS	1
13	400.203	Fitting – 6–6FMTXS	1
14	100.715	Fitting – 1 X 3_8PTRS	1
15	100.063	Plug 1" NPT	1
16	100.423	Plug 1/2" NPT	1
17	791.114	Plug 3/4" BSP	1
18	100.845	Plug 1/4" NPT	12
19	100.575	SHCS 5/8" – 11 X 1 1/4"	4
20	100.143	SHCS 3/8" – 16 X 1 1/4"	16
21	140.111	SHCS 3/4" – 10 X 4"	30
22	100.105	SHCS 5/16" – 18 X 1"	8
23	100.119	SHCS 1/2" – 13 X 1 1/4"	8
24	100.051	SHCS 3/8" – 16 X 1"	4
25	100.827	SHCS 3/8" – 16 X 3 1/2"	6
26	140.227	SHCS 3/4" – 10 X 4 1/2"	32
27	110.762	SHCS 3/8" – 16 X 3"	8
28	790.488	SHCS 5/8" – 11 X 4"	6
29	400.039	SHCS 3/4" – 10 X 2 3/4"	12
30	100.086	Locknut 5/8"	6
31	400.149	Springwasher 3/8"	6
32	790.558	T-Ring 21–St	30
33	790.107	Washer ISO 7089 M16 – 140 HV ZP	36

VIBRATION CASE ASSEMBLY DRAWING



**Parts Manual
Vibratory Hammer
P-46**



VIBRATION CASE ASSEMBLY PARTS

ITEM NO.	PART NUMBER	DESCRIPTION	QTY.
1	815C3101	Vibration Case Welding Assembly	1
2	92051108	Bearing Cover	16
3	100.169	Bearing Eccentric	16
4	9705106	Eccentric Shaft 416	8
5	01331110	Eccentric 416	8
6	01327022	Eccentric Gear 416	4
7	01327021	Eccentric Gear 416	4
8	92051106	Motor Mounting Plate	2
9	92051107	Motor Bearing Cover	1
10	92051105	Pump Mounting Plate	1
11	110.191	Bearing Motor	4
12	9705111	Motor Gear Shaft	1
13	9705112	Motor Shaft Splined	1
14	9705115	Motor Gear	2
15	791.327	Inspection Cover Cooling	1
16	795.010	Inspection Cover	1
17	9202002	Hydro Motor	2
18	9209010	Filter Aqs 50 – 3/4" B	1
19	9209011	Filter Element MS1 – 40	1
20	100.185	Sight Gauge	1
21	791.266	Oil Pump	1
22	9302001	Pump Shaft Splined	1
23	795.124	Elbow Flange	2
24	810.289	Split Flange Kit FHS65CFX	4
25	790.436	Eo Sae 4 Bolt Flange PAGL404G14S	2
26	790.635	Fitting – 6S50MXS	8
27	790.636	Fitting – 12C40MXS	2
28	790.804	Fitting – 12F40MXS	3
29	130.057	Fitting – 6C50MXS	12
30	110.325	Fitting – 8–12F50MXSS	2
31	9603017	Fitting – 12–1 4F50GS	2
32	100.717	Fitting – 6CMTXS	2
33	100.769	Fitting – 12C6MXS	1
34	100.203	Fitting – 6V50MXS	2
35	400.203	Fitting – 6–6FMTXS	4
36	9910002	Fitting – WFS65_30SCFX	2
37	0105007	Fitting – GFS65_30SCF	2
38	100.702	Fitting – 8C6MXS	2
39	0810026	Magnetic Plug	1
40	9607007	Plug 1 1/2" BSP	1
41	9705001	Parallel Key	8
42	9703001	Parallel Key	2
43	9205041	O–Ring #162	2
44	795.022	O–Ring #153	2
45	110.195	O–Ring #163	2
46	110.197	O–Ring #159	2
47	100.167	O–Ring #266	16
48	795.021	O–Ring #028	1

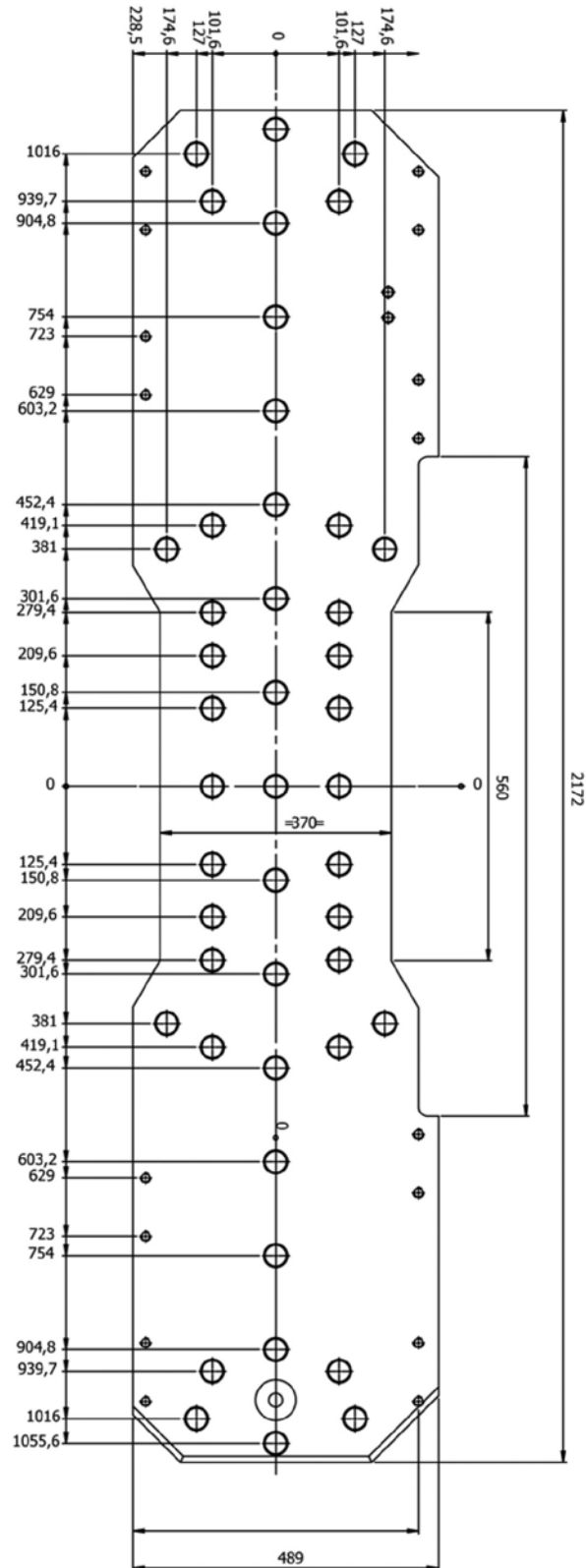
**Parts Manual
Vibratory Hammer
P-46**



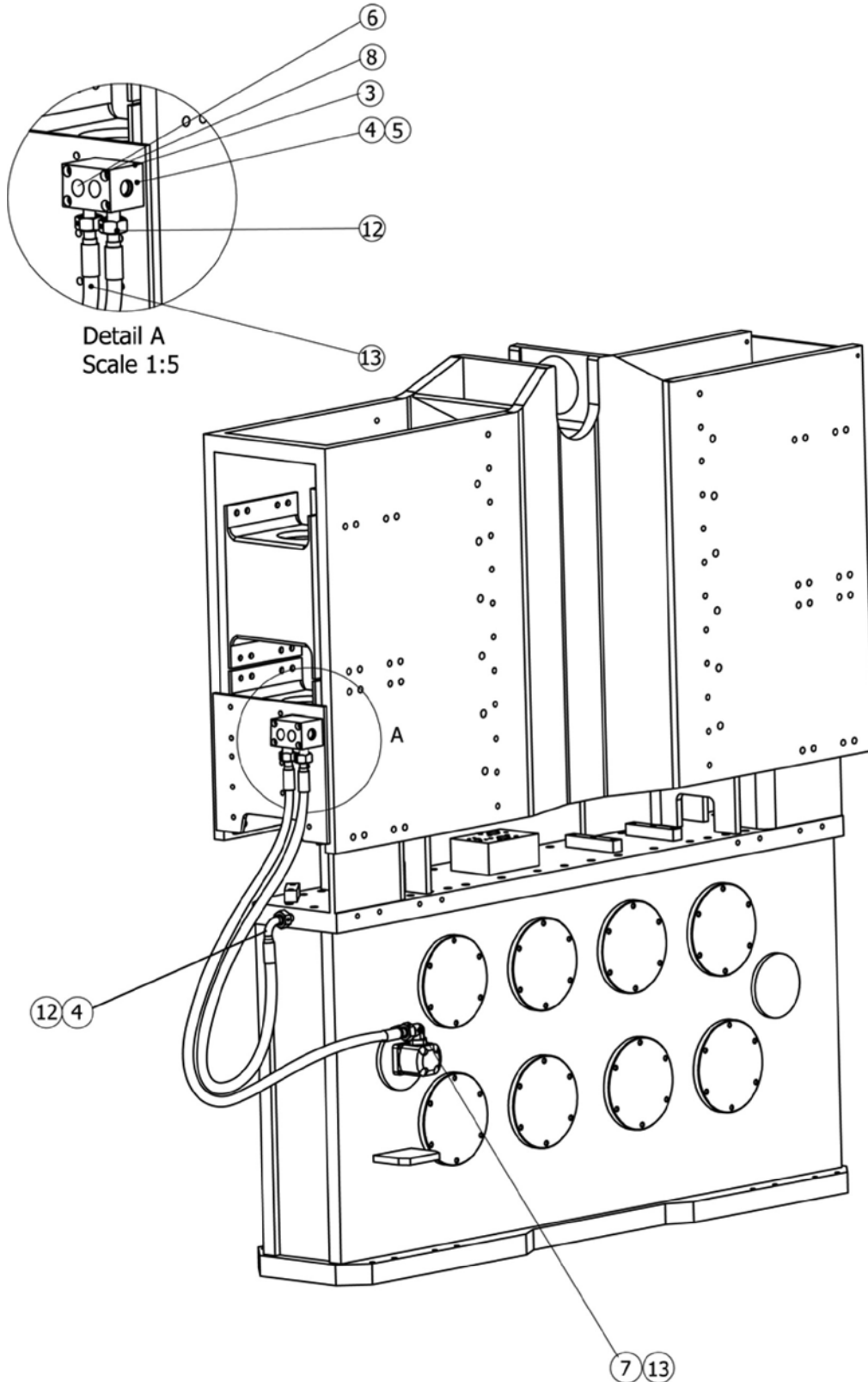
VIBRATION CASE ASSEMBLY PARTS
continued...

ITEM NO.	PART NUMBER	DESCRIPTION	QTY.
49	9202047	O-Ring L=4428	1
50	100.037	O-Ring #222	4
51	0809013	SHCS ISO 4762 M20 X 180 – 12.9	16
52	100.163	SHCS 1/2" – 13 X 1 3/4"	8
43	140.111	SHCS 3/4" – 10 X 4"	8
54	100.445	SHCS 1/2" – 13 X 1"	10
55	100.011	SHCS 1/2" – 13 X 2"	104
56	130.235	SHCS ISO 4762 1/2" – 13 X 3	8
57	790.061	SHCS ISO 4762 M8 X 30 – 12.9	4
58	9209013	SHCS M10 X 22 DIN 912	4
59	790.918	Retaining Ring	16
60	790.154	Retaining Ring	20
61	790.087	Springwasher DIN 127B M8 – ZP	4
62	790.103	Flatwasher M8 ZP	4
63	790.558	T-Ring 21–St	8

BOTTOM VIEW OF VIBRATION CASE



COOLER ASSEMBLY DRAWING



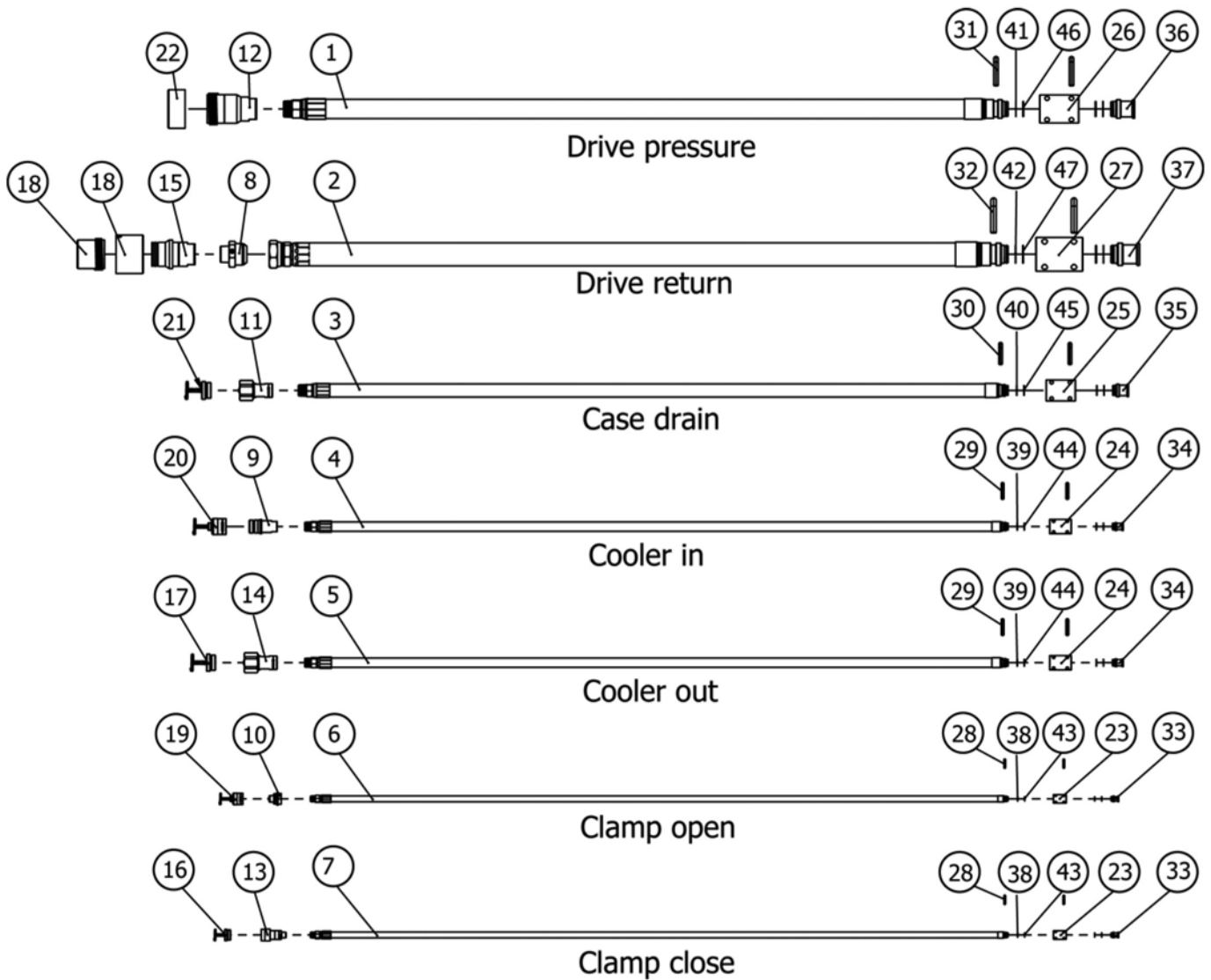
**Parts Manual
Vibratory Hammer
P-46**



COOLER ASSEMBLY PARTS

ITEM NO.	PART NUMBER	DESCRIPTION	QTY.
1	0710106	Relief Valve Manifold	1
2	0710102	Hose clamp	1
3	9202044	Safety valve	1
4	2240719125	Fitting 25S	3
5	2244300025	Fitting EL25S	2
6	791.114	Plug 3/4" BSP	2
7	0710022	Elbow flange	1
8	100.079	SHCS 1/2" -13 x 4"	3
9	791.276	SHCS 5/8 -11 x 5 1/2 DM	2
10	790.107	Flat washer ISO 7089 M16 - 140HV ZP	2
11	100.086	Lock nut 5/8"	2
12	0710015	Hose K-301SNC91C252512-1650	1
13	0710019	Hose K-301SNC9C9252512-1650	1

HOSES 40M COOLER DRAWING



**Parts Manual
Vibratory Hammer
P-46**

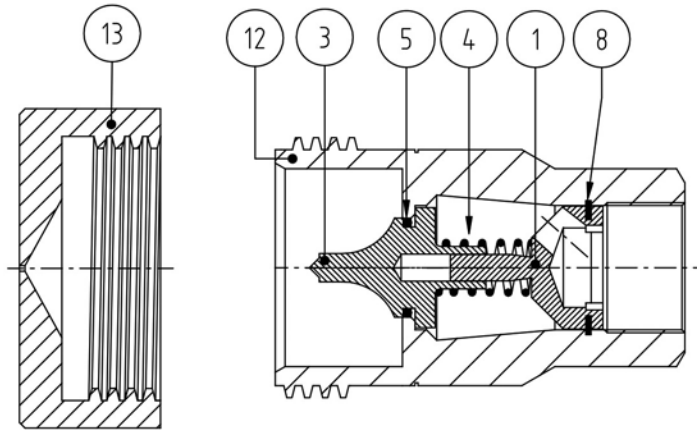


HOSES 40M COOLER PARTS

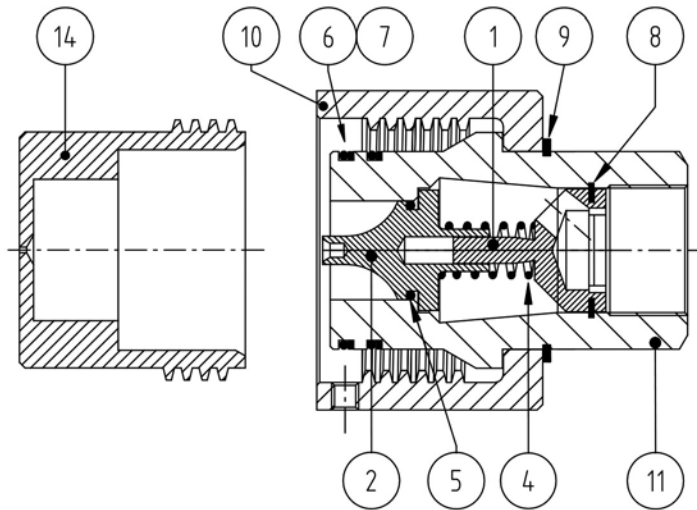
ITEM NO.	PART NUMBER	DESCRIPTION	QTY.
1	0712049	Hose K-R4201A0242424-40000R	2
2	0712048	Hose K-H2906A0323232-40000B	1
3	0712050	Hose K-H2901A0161616-40000Y	1
4	0712051	Hose K-462S001121212-40000R	1
5	0712060	Hose K-462S001121212-40000B	1
6	0712059	Hose K-46201S0060606-40000B	1
7	0712047	Hose K-46201S0060606-40000R	1
8	110.269	Fitting 32-24FFTXS	1
9	400.251	Male disconnect 3/4"	1
10	100.245	Male disconnect 3/8"	1
11	120.023	Male disconnect 1"	1
12	110.690	Male disconnect 1 1/2"	1
13	0801008	Female disconnect 3/8"	1
14	400.095	Female disconnect 3/4"	1
15	110.692	Female disconnect 1 1/2"	1
16	100.737	Dust plug 3/8"	1
17	400.121	Dust plug 3/4"	1
18	110.957	Dust plug 1 1/2"	1
19	100.257	Dust cap 3/8"	1
20	400.253	Dust cap 3/4"	1
21	120.029	Dust cap 1"	1
22	110.955	Dust cap 1 1/2"	1
23	0712034	SteckO straight female 3/8"	2
24	0712041	SteckO straight female 3/4"	2
25	0712035	SteckO straight female 1"	1
26	0712036	SteckO straight female 1 1/2"	1
27	0801006	SteckO straight female 2"	1
28	0712025	Staple 3/8"	4
29	0712042	Staple 3/4"	4
30	0712028	Staple 1"	2
31	0712031	Staple 1 1/2"	2
32	0801003	Staple 2"	2
33	0804329	Plug 3/8"	2
34	0804330	Plug 3/4"	2
35	0804331	Plug 1"	1
36	0804332	Plug 1 1/2"	1
37	0804333	Plug 2"	1
38	0712027	Back up washer 3/8"	4
39	0712044	Back up washer 3/4"	4
40	0712030	Back up washer 1"	2
41	0712033	Back up washer 1 1/2"	2
42	0801005	Back up washer 2"	2
43	0712026	O-ring 3/8"	4
44	0712043	O-ring 3/4"	4
45	0712029	O-ring 1"	2
46	0712032	O-ring 1 1/2"	2
47	0801004	O-ring 2"	2

QUIK DISCONNECT 1½" DRAWING

MALE (110.690)



FEMALE (110.692)



**Parts Manual
Vibratory Hammer
P-46**



QUIK DISCONNECT 1½" PARTS

ITEM NO.	PART NUMBER	DESCRIPTION	QTY.
1	850.067/1	Insert 1	2
2	850.067/2	Insert 2	1
3	850.067/3	Insert 3	1
4	790.140	Valve Guide Spring 16 X 50	2
5	790.139	O-Ring #216	2
6	110.829	O-Ring #230	2
7	110.980	Back-Up Ring #230	2
8	790.155	Retaining Ring (45 X 1.75)	2
9	790.154	Retaining Ring (70 X 2.5)	1
10	110.692/2	Coupler Nut	1
11	110.692/1	Female Coupler Housing	1
12	110.690	Male Coupler Housing	1
13	110.955	Dust Cap	1
14	110.957	Dust Plug	1

**Parts Manual
Vibratory Hammer
P-46**



PAGE LEFT
BLANK