

PARTS MANUAL
Power Pack
PILECO V-400



PARTS MANUAL V-400



Model:	V-400V
Serial number:	V-400V-018-0921
Year of manufacture:	2022
Revision:	

office (936)494-4200
1-800-409-0018
fax (936)494-4517
www.Pileco.com
491 Conroe Park W. Dr. • Conroe, TX 77303

12/29/2023

Legal Jargon

Pileco Inc. has the right to change parts of the equipment at any time without prior or direct notice to the client. The contents of this publication are subject to changes without prior notice.

This publication is to be used for the standard version of the equipment only. Pileco Inc. cannot be held responsible for any damage resulting from the application of this publication to the version actually delivered to you.

For extra information as to adjustments, maintenance and repair, please contact the technical department of your supplier.

This publication has been written with great care. However, Pileco Inc. cannot be held responsible, either for any errors occurring in this publication or for their consequences.

Safety Indicators Explained:

The following symbols are used throughout the manual.

Caution indicates a potentially hazardous situation which, if not avoided may result in minor or moderate injury. For example, protect eyes!



Warning indicates a potentially hazardous situation which, if not avoided could result in death or serious injury



Danger indicates an imminently hazardous situation, which if not avoided will result in death or serious injury



PARTS MANUAL V-400

PARTS MANUAL V-400

CONTENTS

1. Preface.....	5 pg.
2. Exterior.....	6-7 pg.
3. Ce Marking Set.....	8 pg.
4. Interior.....	9-11 pg.
5. Hydraulic.....	12-27pg.
6. Electrical.....	28-30 pg.
7. Diesel Hammer.....	30-31 pg.

PARTS MANUAL V-400

1. PREFACE

This parts manual has been written for the users of Pileco inc. hydraulic power packs. The parts manual explains which parts are used in the hydraulic power pack. If needed parts can be looked up in the parts manual for reordering.

One copy of the part manual will be delivered with the hydraulic power pack. The document should be stored in a safe place. If needed an extra copy can be ordered at your local dealer.

For ordering of parts model number, equipment serial number and part number are needed.

Please have these numbers when ordering the parts.

If problems arise which are beyond the scope of this manual, please contact your dealer. They are prepared to assist you to make the best use of your equipment.

Please have the following at hand:**If you call, please have the following at hand:**

Model number:
Equipment serial number:

office: (936)494-4200
fax: (936)494-4517
email: sales@pileco.com

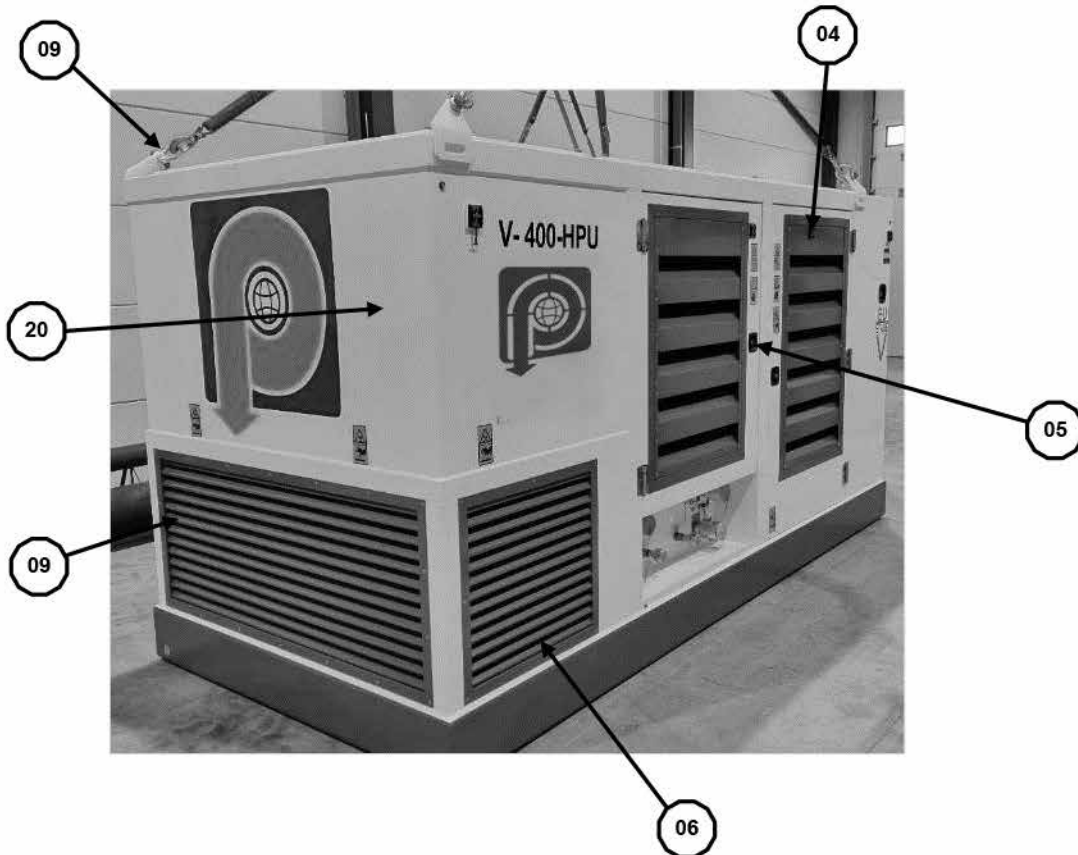
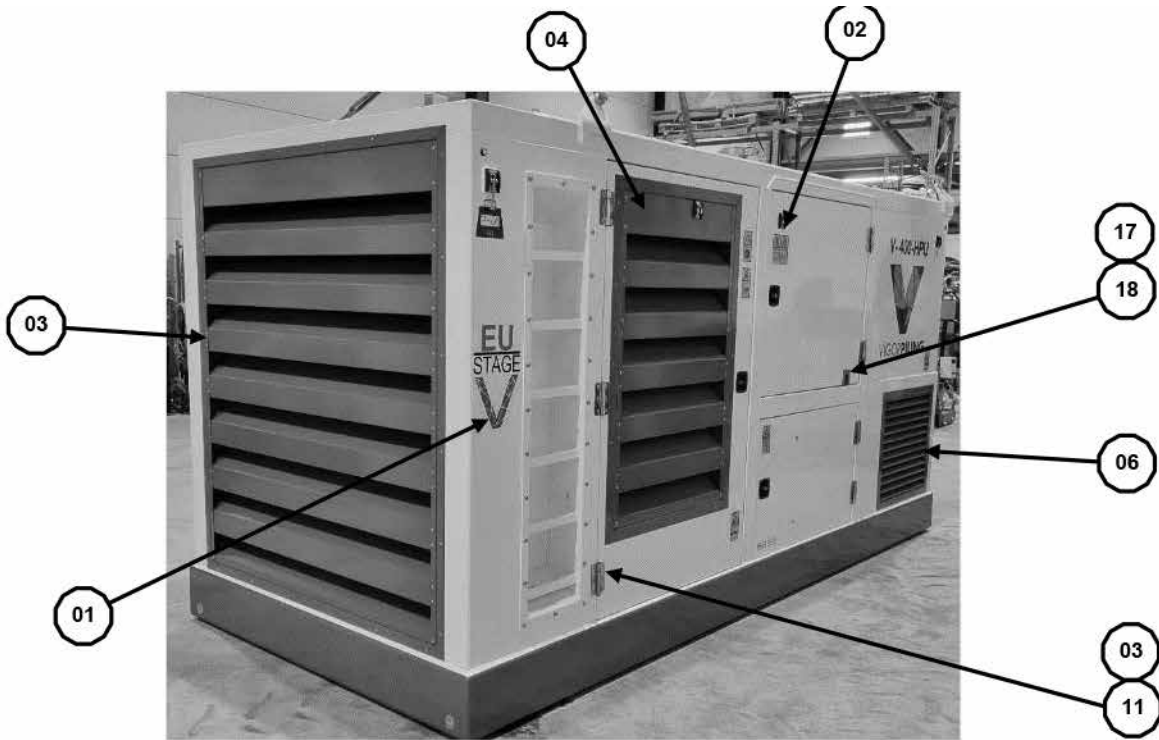
www.Pileco.com

491 Conroe Park W. Dr.
Conroe, TX 77303

Model:	V-400V
Serial number:	V-400V-018-0921
Year of manufacture:	2022
Revision:	

PARTS MANUAL V-400

2. EXTERIOR



PARTS MANUAL V-400

HPU Exterior				
Item	QTY	Description	Part no.	
01	1	Logo Stage V	1000196	
02	1	CE Marking sticker set	1000230	
03	1	Air vent 1500 x 1700	1000737	
04	2	Air vent 800 x 1300	1000738	
05	1	Air vent 800 x 1100	1000739	
06	2	Air vent 700 x 620	1000262	
07	1	Air vent 1590 x 620	1000746	
08	4	Door holder set	1000286	
09	4	H-Shackle	1000264	
10	5	Door lock	1000125	
11	10	Door hinge spacer	1000123	
12	10	Door hinge	1000094	
13	1	Rain cap Stainless	1000704	
14	1	Emergency stop button complete	1000142	
15	4	Warning lights	1000235	
16	5	Lock plate	1000268	
17	1	Cable feedthrough gasket	1000127	
18	1	Cable feedthrough cover	1000126	
19	40	Door seal-clamp profile	1000332	(order by meter)
20	1	Frame complete	1000667	



1000332 - Door seal-clamp profile

PARTS MANUAL V-400

3. CE MARKING SET



See Owner's manual for marking descriptions

The form is titled "Service Record Power Pack" and features the PILECO INC. logo at the top. It contains the following fields:

- Date:
- Hours:
- Machine no.:
- Next oil change: Hrs
- Filter hydraulic: Hrs
- Filter air/fuel: Hrs
- Cooling fluid: °C
- Engine oil:
- Engine coolant:
- Hydraulic oil:

At the bottom of the form, the email address "info@pileco.com" is listed.

1000422-Service Sticker HPU

PARTS MANUAL V-400

4. INTERIOR

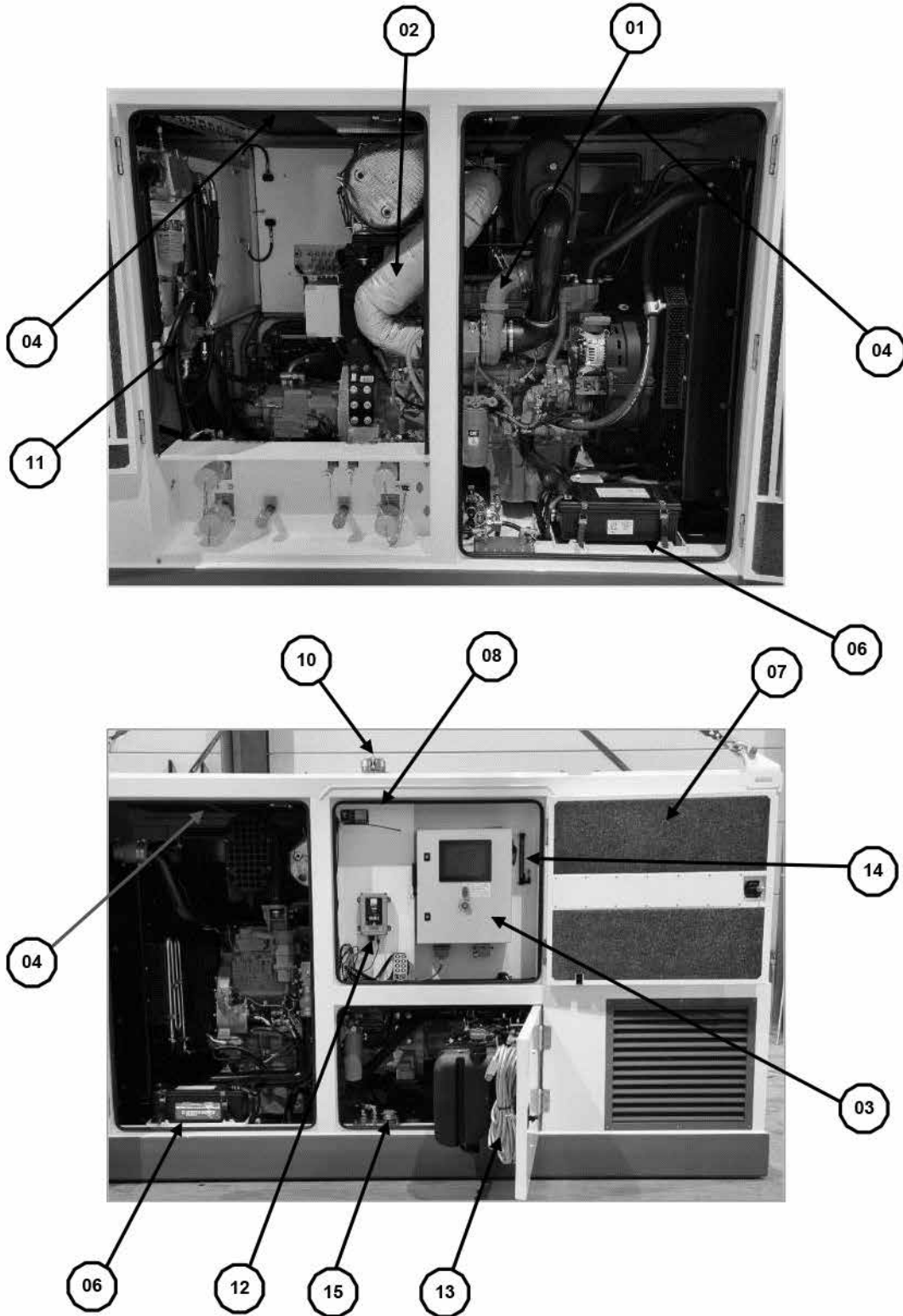




Figure 1 work light 1000319



Figure 2 Sound insulation set 1000736



Figure 3 mains relay 1000277



Figure 4 Vibration damper 1000694

PARTS MANUAL V-400

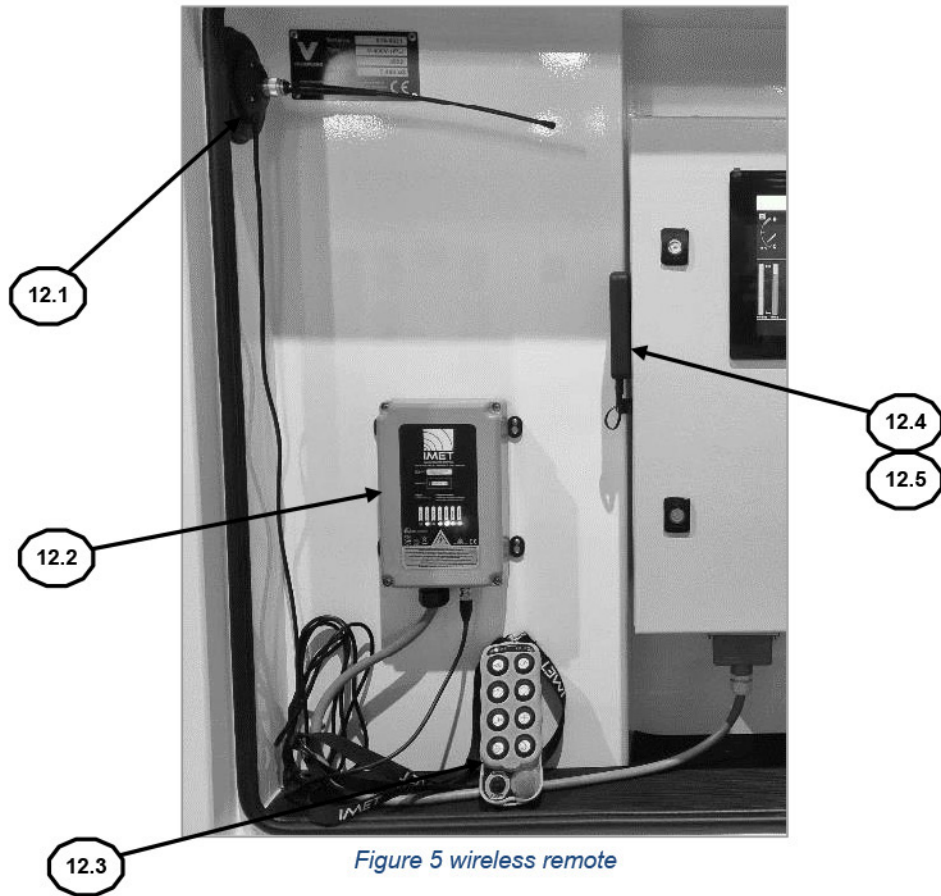


Figure 5 wireless remote

HPU Interior				
Item	QTY	Description	Part no.	
01	1	Cat C13	1000670	
02	1	Exhaust Insulation kit	1000762	
03	1	Control panel	1000712	
04	3	Work light LED 10-30VDC/15W	1000319	
05	4	Vibration damper	1000694	
06	2	Starter Battery	1000136	
07	1	Sound Insulation set V-400V-HPU	1000736	(Only as set)
08	1	Panel Light LED 12/24V 3,5W	1000320	
09	1	Mains Relay	1000277	
10	1	Exhaust rain cap	1000704	
11	1	Manual pump hydraulic oil	1000575	
12	1	Radio remote set	1000698	
12.1	1	High gain antenna	1000698-1	
12.2	1	Remote receiver	1000698-2	
12.3	1	Remote transmitter	1000698-3	
12.4	1	Battery charger	1000698-4	
12.5	1	Replacement battery	1000791	
13	1	Cable remote control	1000712-rem.	
14	1	Level Gauge	1000420	
15	1	Fuel Filler cap	1000241	

5. HYDRAULIC

Drive pump

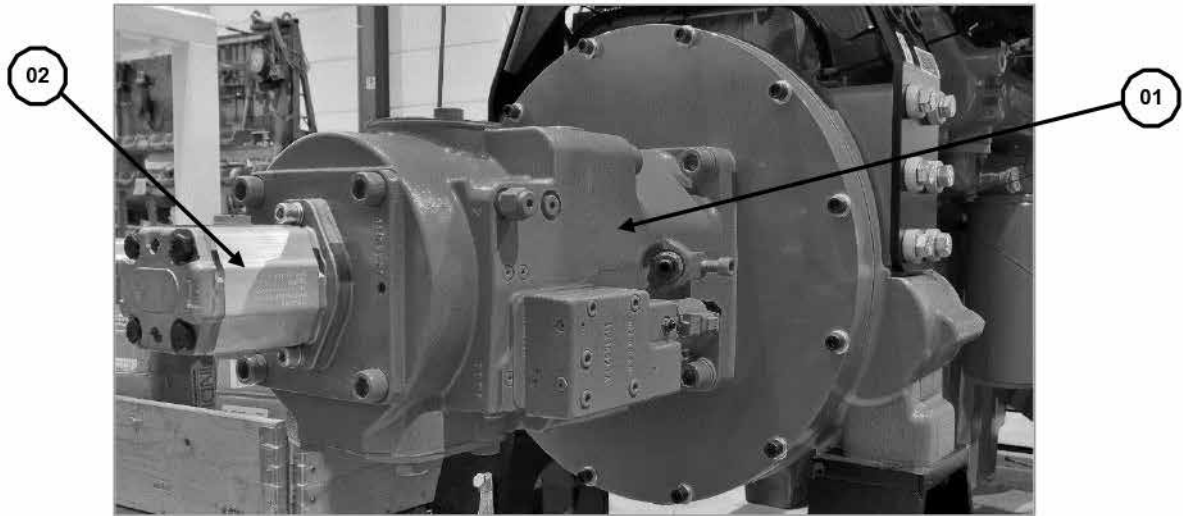


Figure 6 Main pumps

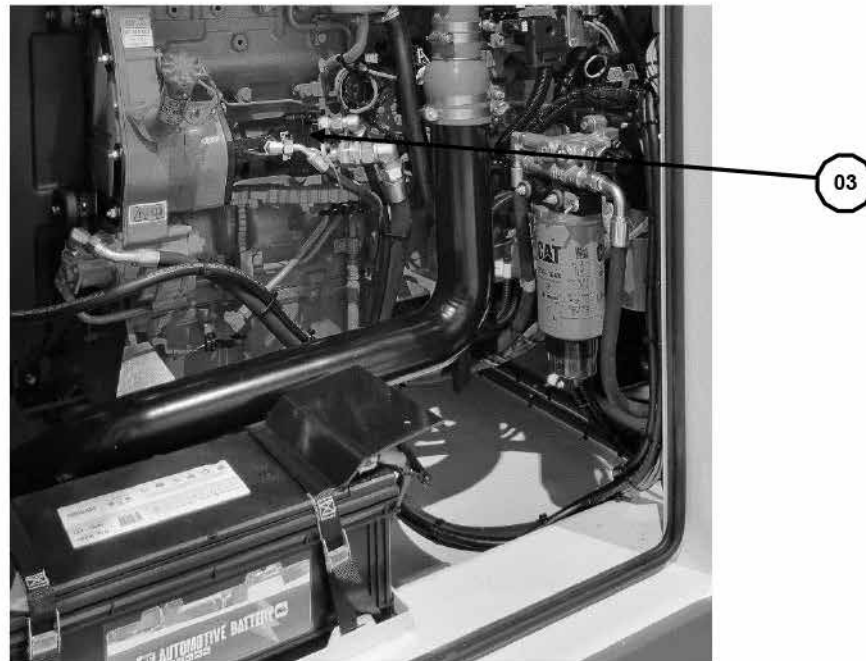
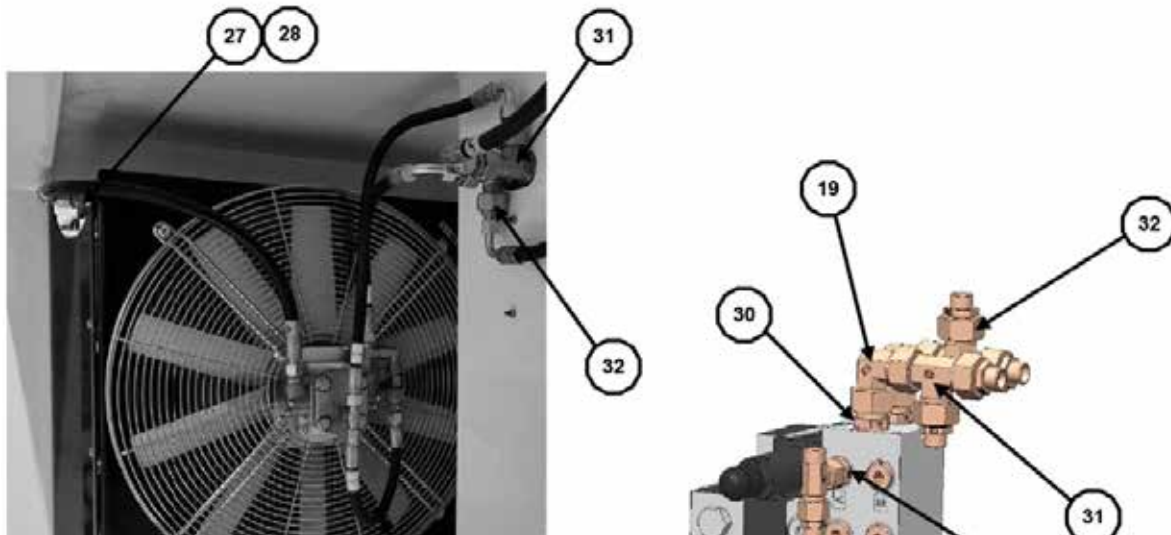
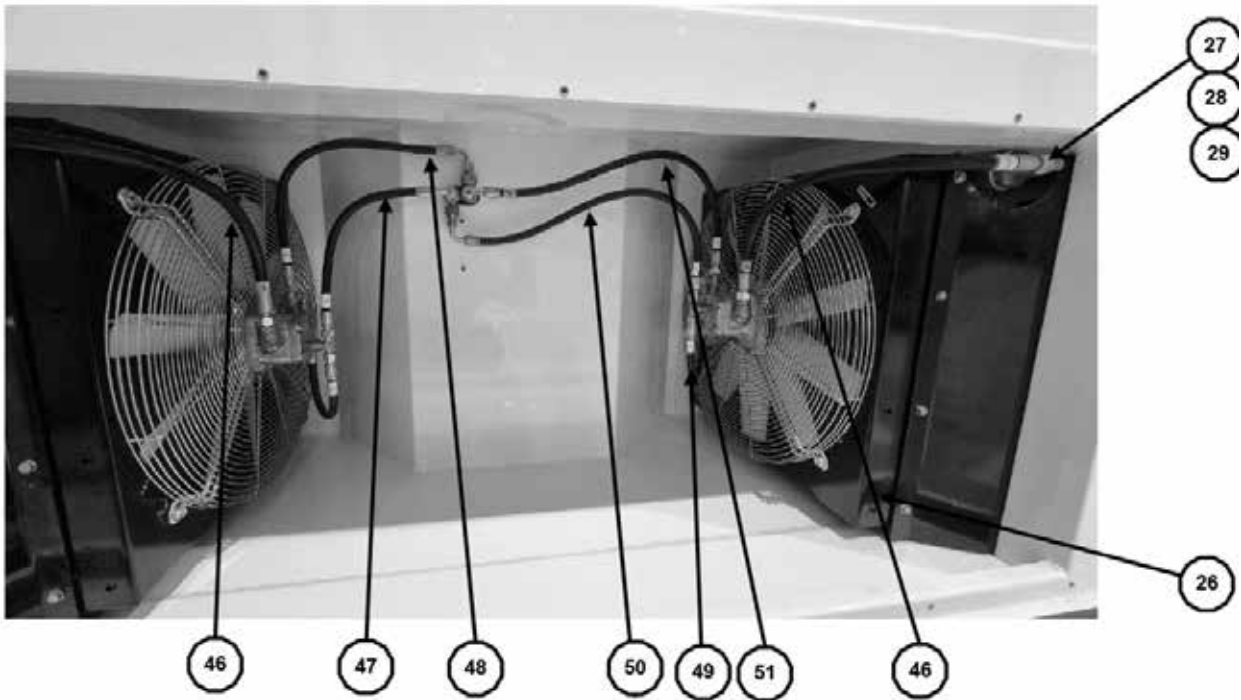


Figure 7 Clamp pump

Pump set			
Item	QTY	Description	Part no.
1	1	D1P 260 pump	1000763
2	1	Gear pump 17 CC	1000709
3	1	Piston Pump 18cc	1000708

Hydraulic oil coolers



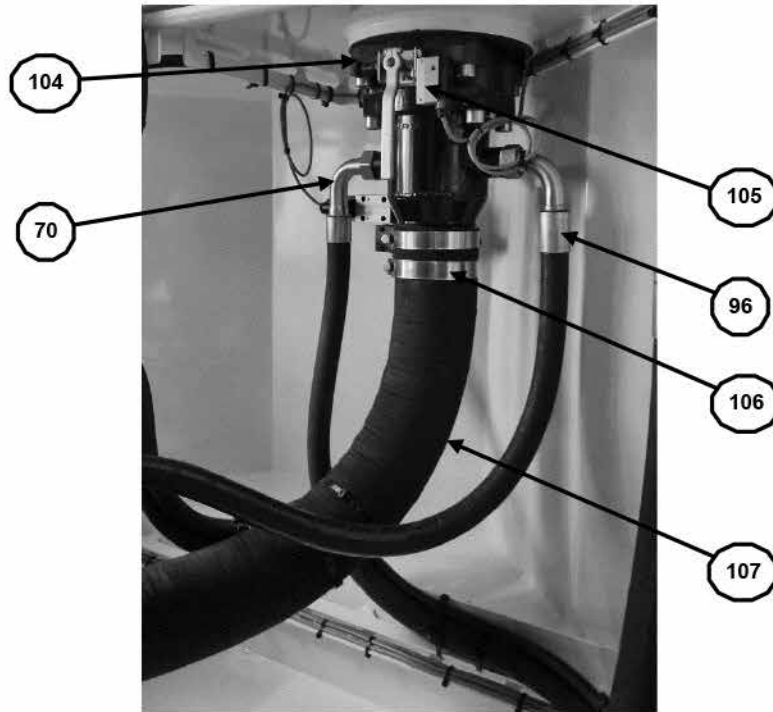


Figure 9 Intake manifold

Drive pump

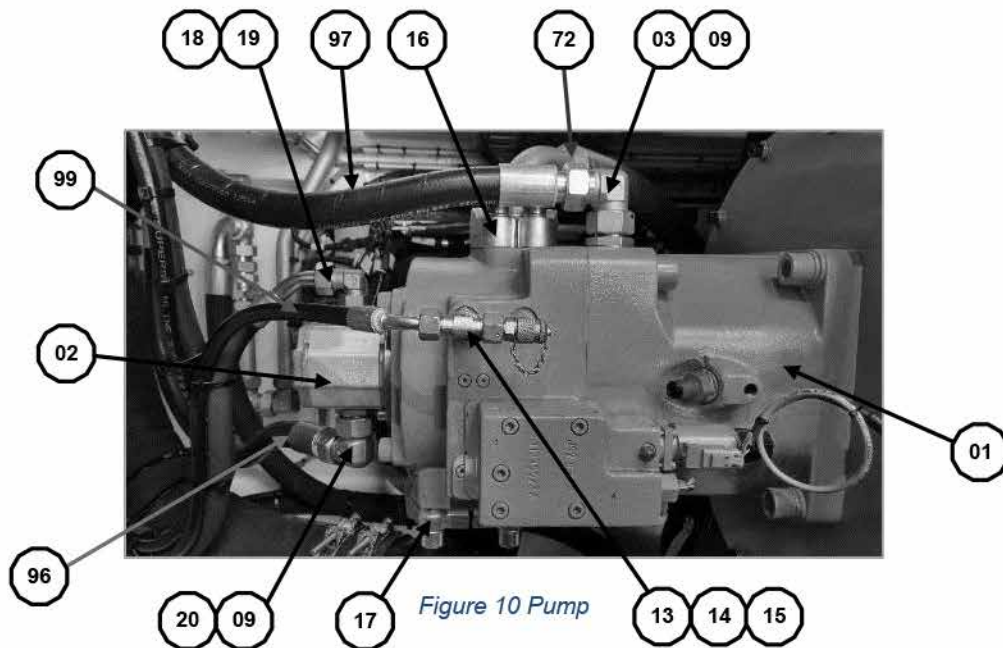


Figure 10 Pump

Pump Coupler

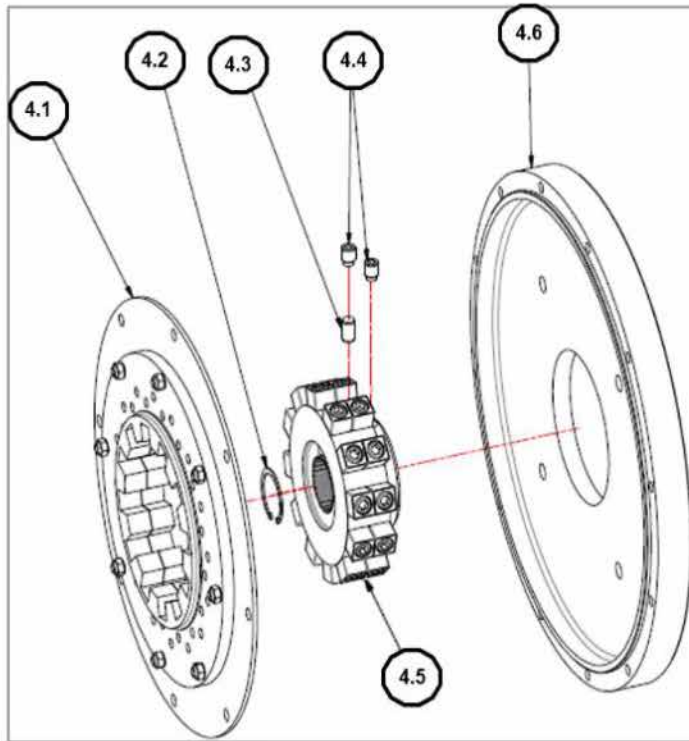


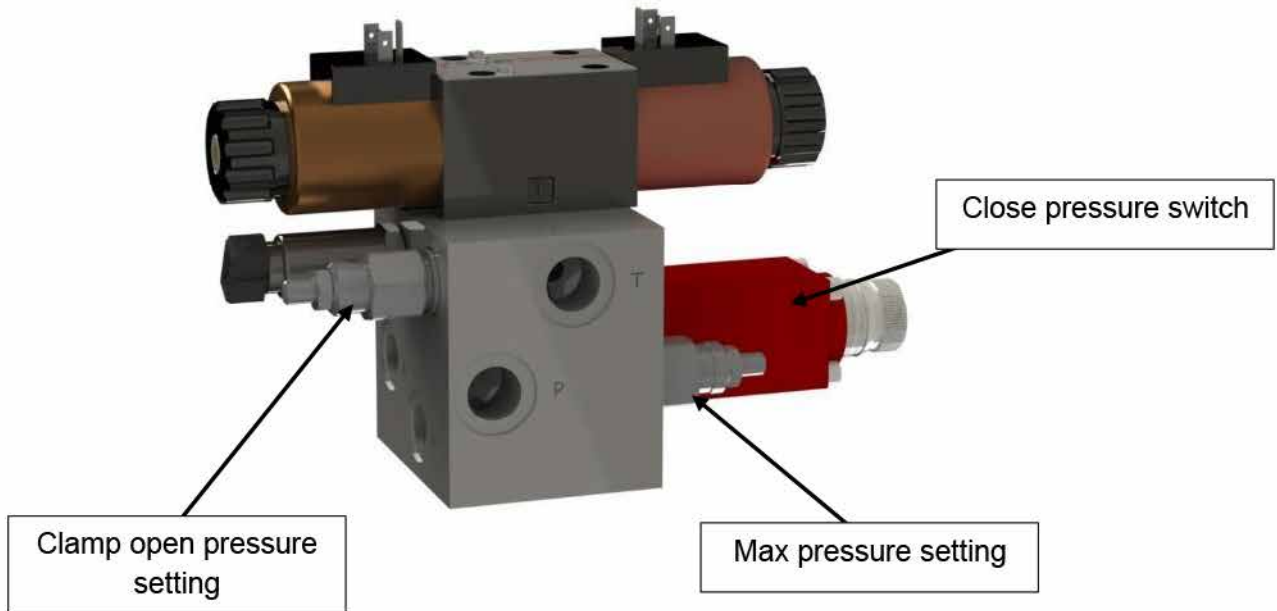
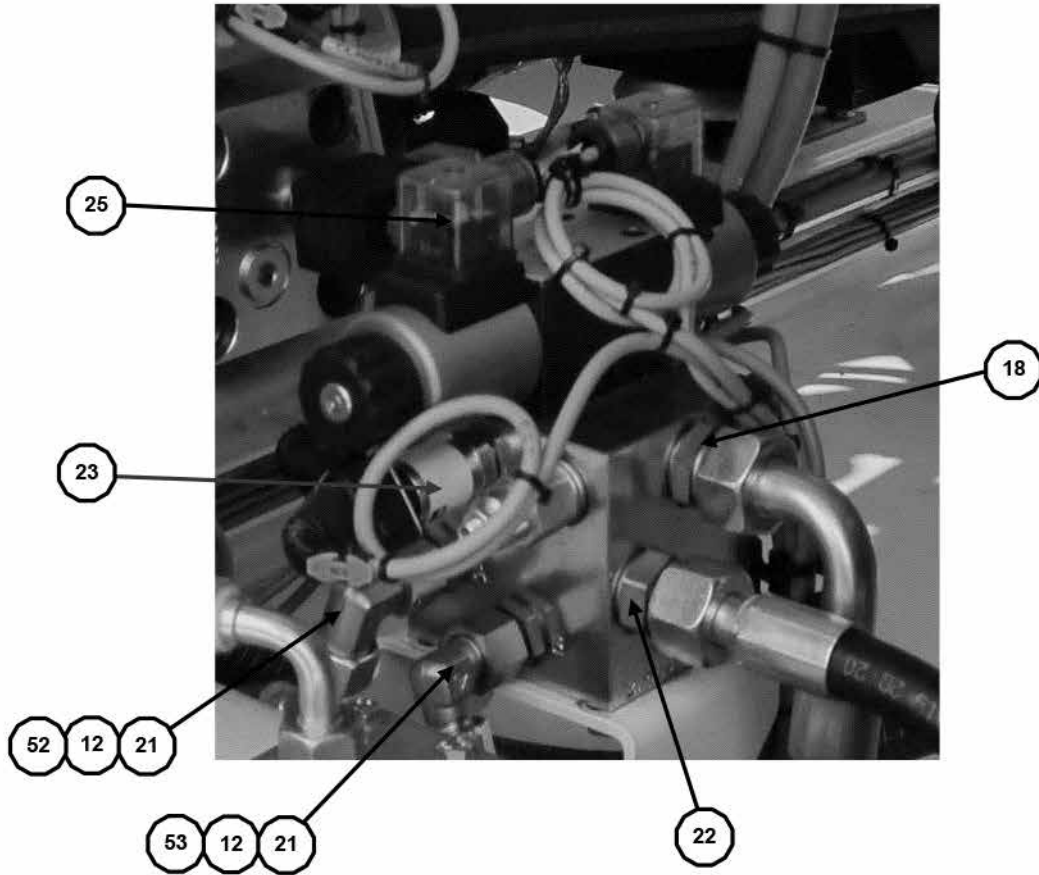
Figure 11 Motor/pump coupling

Clamp pump

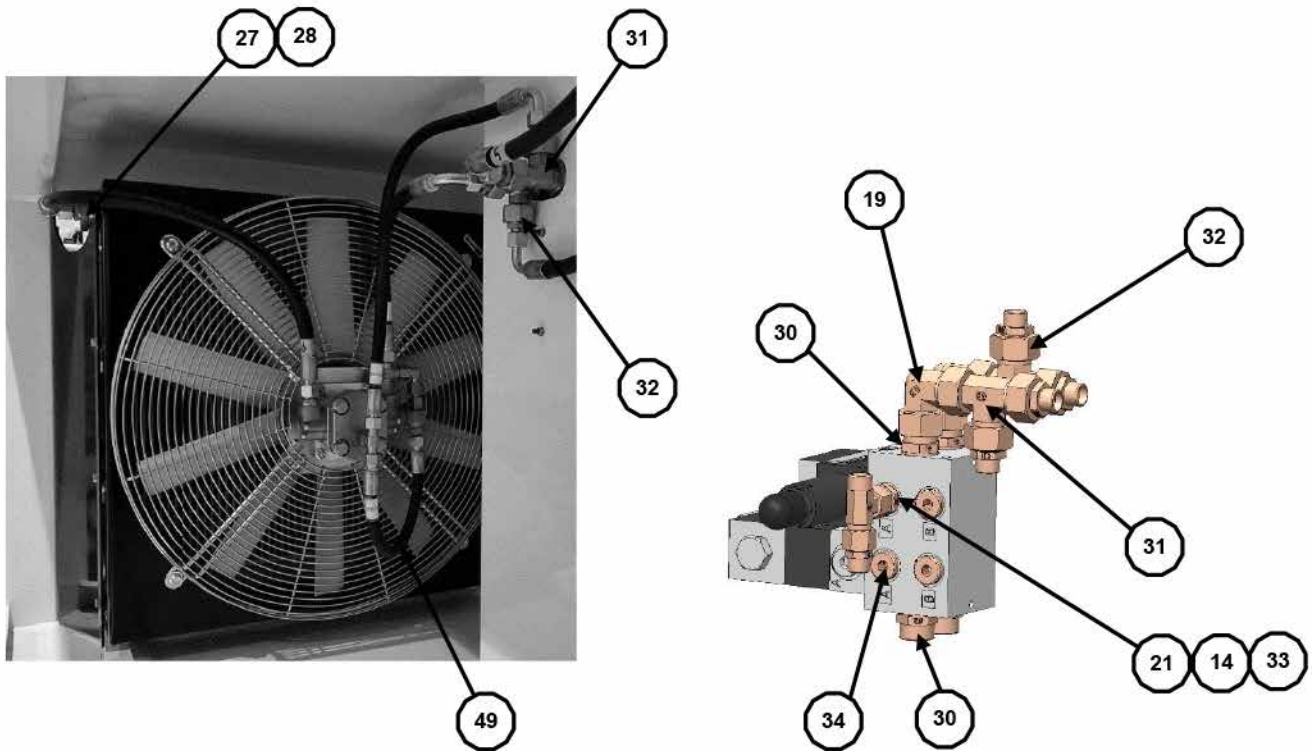
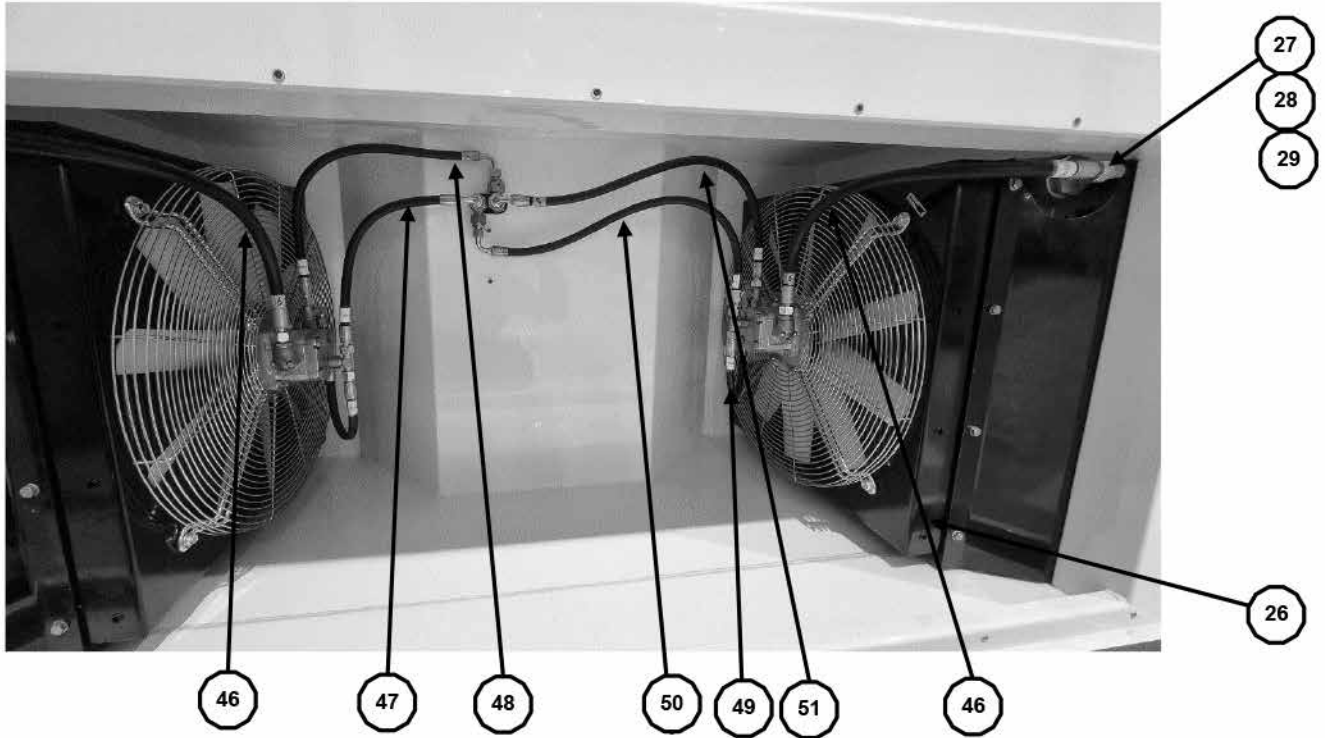


Figure 12 Clamp pump

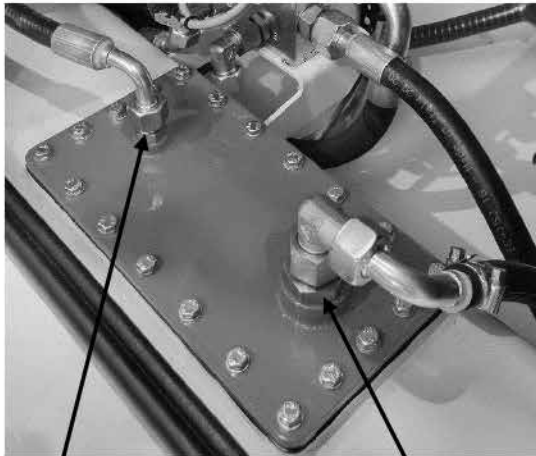
Clamp manifold.



Hydraulic oil coolers

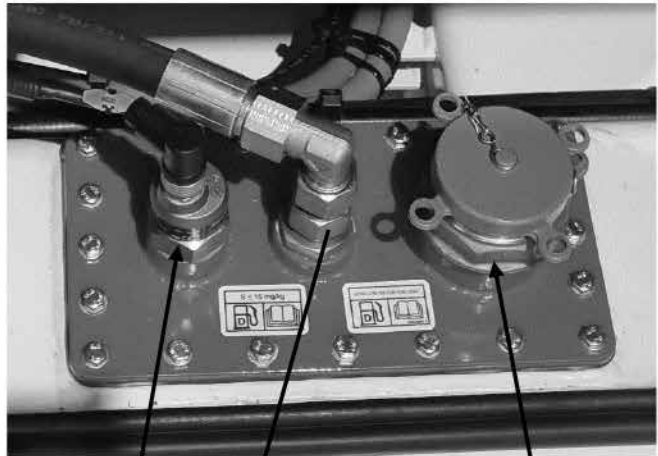


Fuel connections



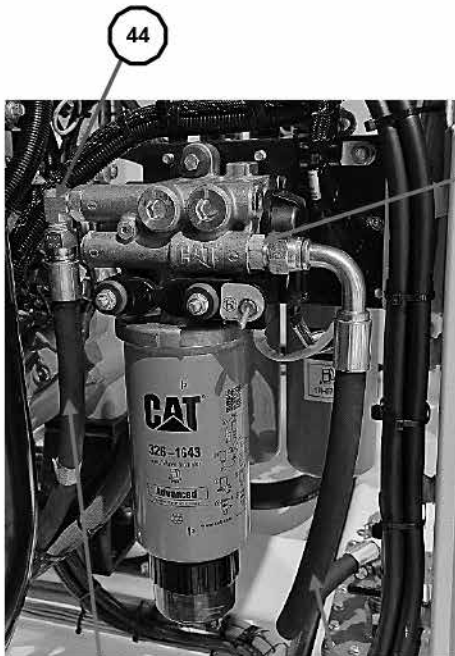
43

42 29



35

36

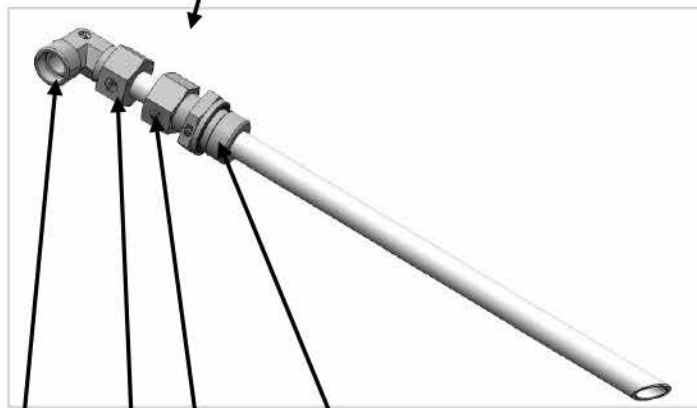


44

45

100

71



40

39

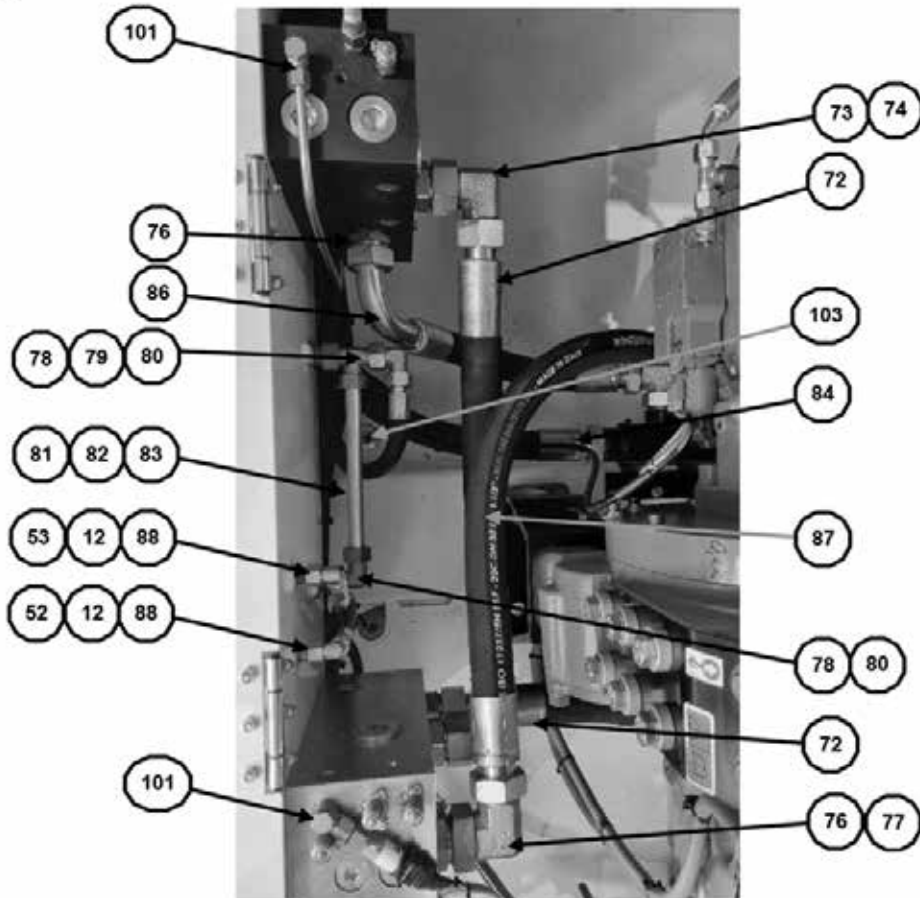
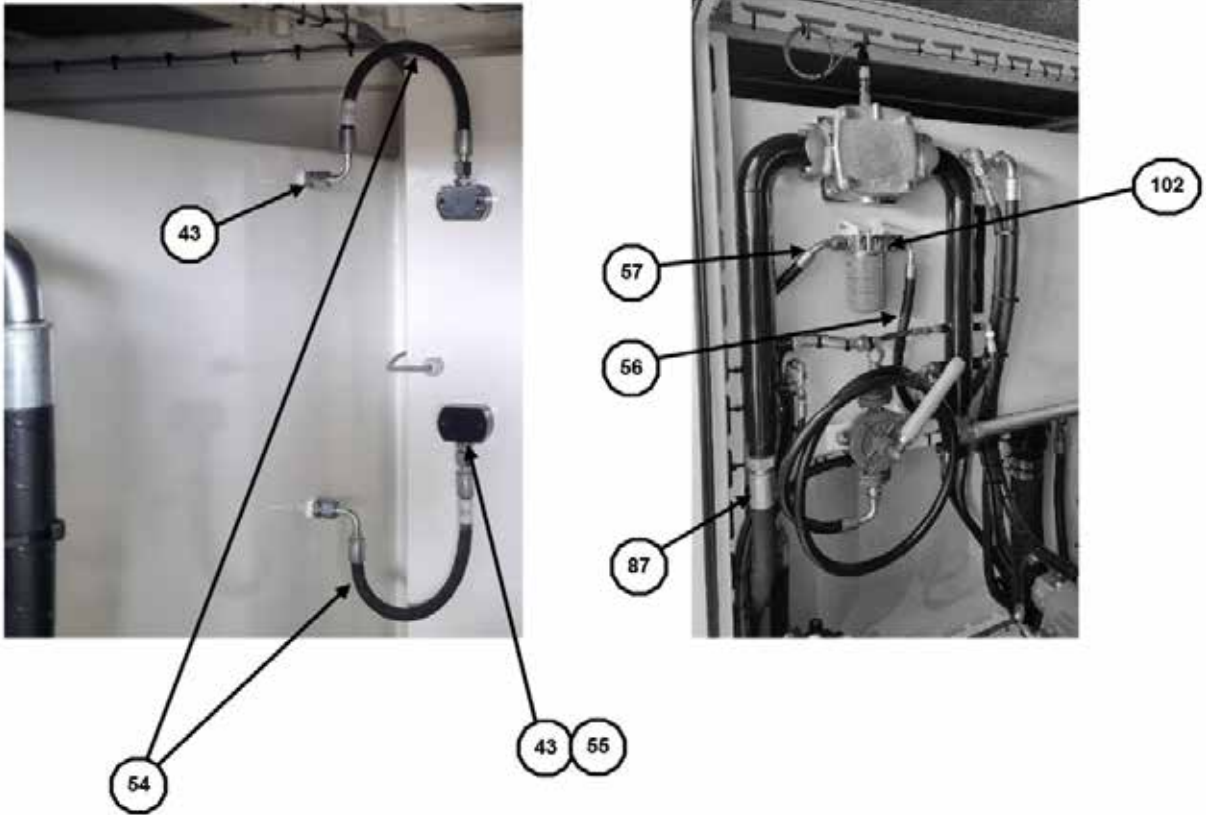
39

38

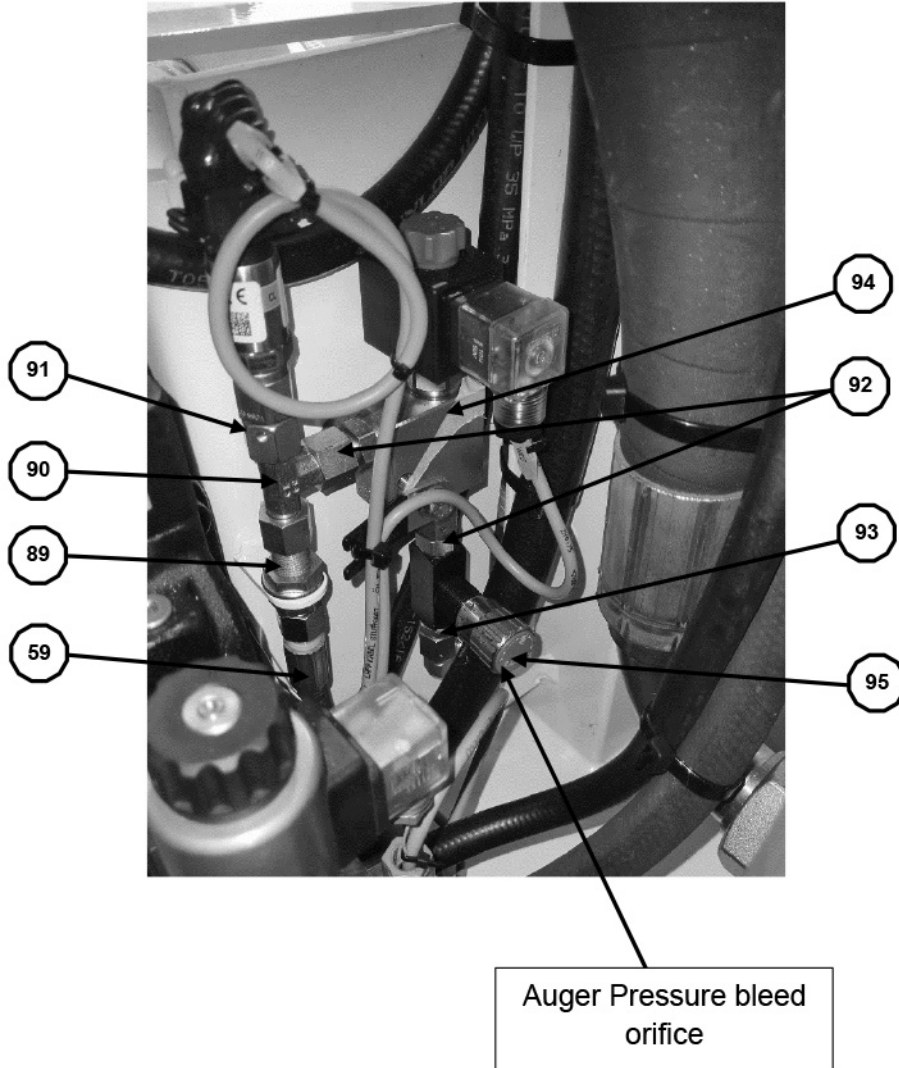
38

37

PARTS MANUAL V-400



PARTS MANUAL V-400



PARTS MANUAL V-400

Item	QTY	Description	Part no.
01	1	Main pump D1 260 > SAE A 9T	1000763
02	1	Gear pump 17cc	1000709
03	1	GE28LM33x2EDOMD	1000466
04	1	Pump coupler	1000705
4.1		Fly wheel adapter plate/coupler	1000705-4.1
4.2		Snap ring int.	1000705-4.2
4.3		Extender pin	1000705-4.3
4.4		Bolt	1000705-4.4
4.5		Spline Hub	1000705-4.5
4.6		Pump Adapter plate	1000705-4.6
05	1	Piston pump 18cc	1000708
06	1	GE16S11/16UNFOMD	1000766
07	1	EW16SROMD	1000790
08	1	GE28LROMD	1000180
09	3	EW28LOMD	1000172
10	1	Adapter flange 1"	1000722
11	1	GE12L9/16UNF	1000625
12	5	EW12LOMD	1000203
13	1	GE12LM14x1.5EDOMD	1000441
14	2	ET12LOMD	1000216
15	1	VKA3/12L	1000423
16	2	FHS66	1000475
17	2	FHS316	1000452
18	2	GE18LR1/2EDOMD	1000202
19	3	EW18LOMD	1000207
20	1	GE28LR3/4OMD	1000173
21	3	GE12LR3/8EDOMD	1000082
22	1	GE16SR1/2EDOMD	1000723
23	5	Pressure sensor 500bar	1000265
24	1	Pressure sensor 35bar	1000266
25	6	Din led connector	1000314
26	2	Oil cooler	1000093
27	2	RI11_2EDX1_2	1000177
28	2	GE15LREDO MD	1000205
29	3	EW15LOMD	1000213
30	5	GE18LREDO MD	1000202
31	2	EL18LOMD	1000731
32	4	RED18_12LOMD	1000732
33	1	RED12_10LOMD	1000726
34	3	VSTI3/8ED	1000085
35	1	Fuel level sensor	1000239
36	1	Fuel Filler Cap	1000241
37	1	GE15LR3_4EDOMD-modified 15mm trough hole	1000431
38	2	M15L	1000433
39	2	S15L	1000434
40	1	W15LOMD	1000727

PARTS MANUAL V-400

Item	QTY	Description	Part no.
41	1	Pipe 15x2 mm L=340 chamfer 45 deg	
42	1	GE15LR3_4EDOMD	1000431
43	5	GE12LR1_4EDOMD	1000208
44	1	10C50MX-S	1000793
45	1	10F50MX-S	1000794
46	2	Hose 1/2" 2sn-15L-15L L=650	1000360
47	1	Hose 3/8" 2sn-12L-12L90 L=460	1000362
48	1	Hose 3/8" 2sn-12L-12L90 L=625	1000767
49	2	Hose 3/8" 2sn-12L-12L L=375	1000768
50	1	Hose 3/8" 2sn-12L-12L90 L=755	1000769
51	1	Hose 3/8" 2sn-12L-12L90 L=815	1000770
52	1	Hose 3/8" 2sn-12L-12L90 L=1250	1000771
53	1	Hose 3/8" 2sn-12L-12L45 L=1165	1000772
54	2	Hose 5/16" 2sn-10L-10L90 L=370	1000773
55	2	Level gauge manifold	1000689
56	1	Hose 3/4" 2sn-22L-22L90 L=960	1000774
57	1	Hose 3/4" 2sn-22L-22L45 L=1815	1000775
58	1	Hose 5/16" 2SN-10L-10L90 L=1405	1000776
59	1	Hose 5/16" 2SN-10L-10L L=350	1000777
60	1	Hose 5/16" 2SN-10L-10L L=1610	1000778
70	1	Hose 1" 2SN-28L-28L90 L=3450	1000779
71	1	Hose 5/8" 2SN-15L-J7/8 L=650	1000780
72	1	Hose 1 1/2" R15-38S-11/2"90SAE6 L=2000	1000781
73	1	Hose 1 1/2" R15-38S-38S L=630	1000782
74	3	GE38SREDOMD	1000536
75	2	EW38SOMD	1000537
76	3	GE42LROMD	1000167
77	2	EW42LROMD	1000169
78	1	EL22LOMD	1000477
79	2	SV22LOMD	1000729
80	2	EW22LOMD	1000189
81	2	S22L	1000783
82	2	M22L	1000784
83	1	Pipe 22x2 L= 400	
84	2	Hose 1 1/2" 2SN-42L-42L90 L=1600	1000785
85	1	Hose 1 1/2" 2SN-42L-42L90 L=980	1000786
86	1	Hose 1 1/2" 2SN-42L-42L90 L=550	1000787
87	1	Hose 1 1/2" 2SN-42L-42L90 L=750	1000788
88	2	ESV12LOMD	1000687
89	1	ESV10LOMD	1000789
90	1	EL10LOMD	1000751
91	1	MAVE10LR	1000753
92	2	EGE10LRED	1000747
93	2	GE10LRED	1000081
94	1	2/2 24VDC inline valve	1000742
95	1	Adjustable orifice	1000741
96	1	Hose 1" 2SN-28L-28L90 L=1000	1000793
97	1	Hose 1" 2SN-28L-28L90 L=1400	1000794
98	1	Hose 3/8" 2SN-12L-12L45 L=4380	1000796

PARTS MANUAL V-400

Item	QTY	Description	Part no.
99	1	Hose 3/8" 2SN-12L-12L45 L=1360	1000797
100	1	Hose 5/8" 2SN-J7/8-J7/8-45 L=1380	1000798
101	2	DSVW10LROMD	1000792
102	2	GE22LR3/4EDOMD	1000476
103	7	VSTI11/4"ED	1000099
104	1	Butterfly valve	1000682
105	1	Limit Switch	1000200
106	4	Heavy clamp 113-121	1000316
107	2m	DN100 hose	

Vibro manifold

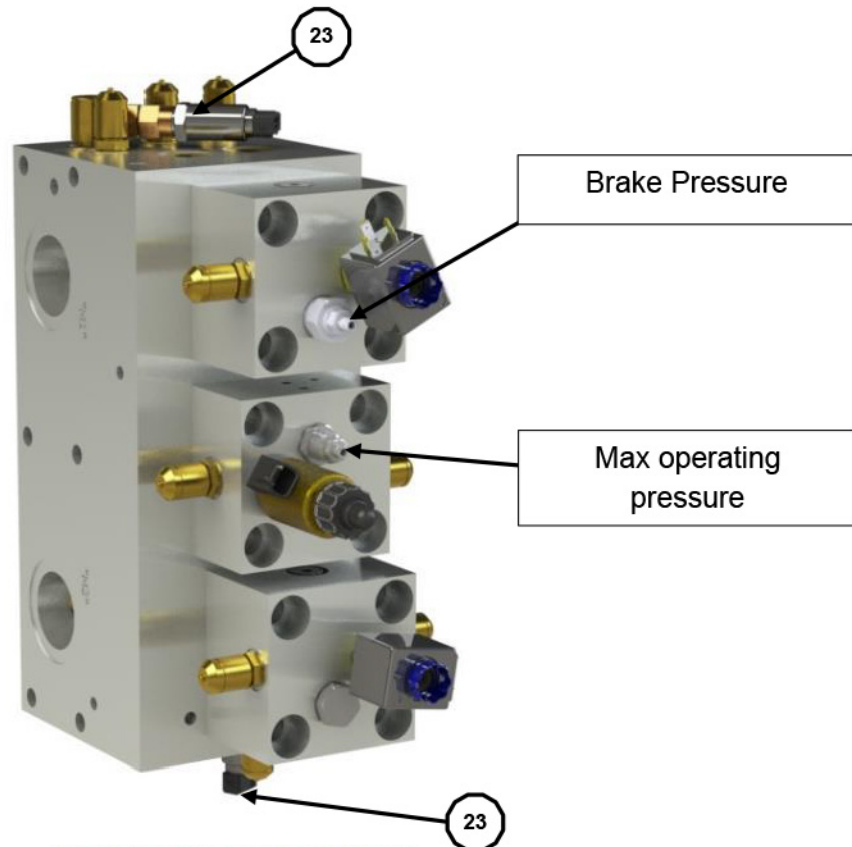
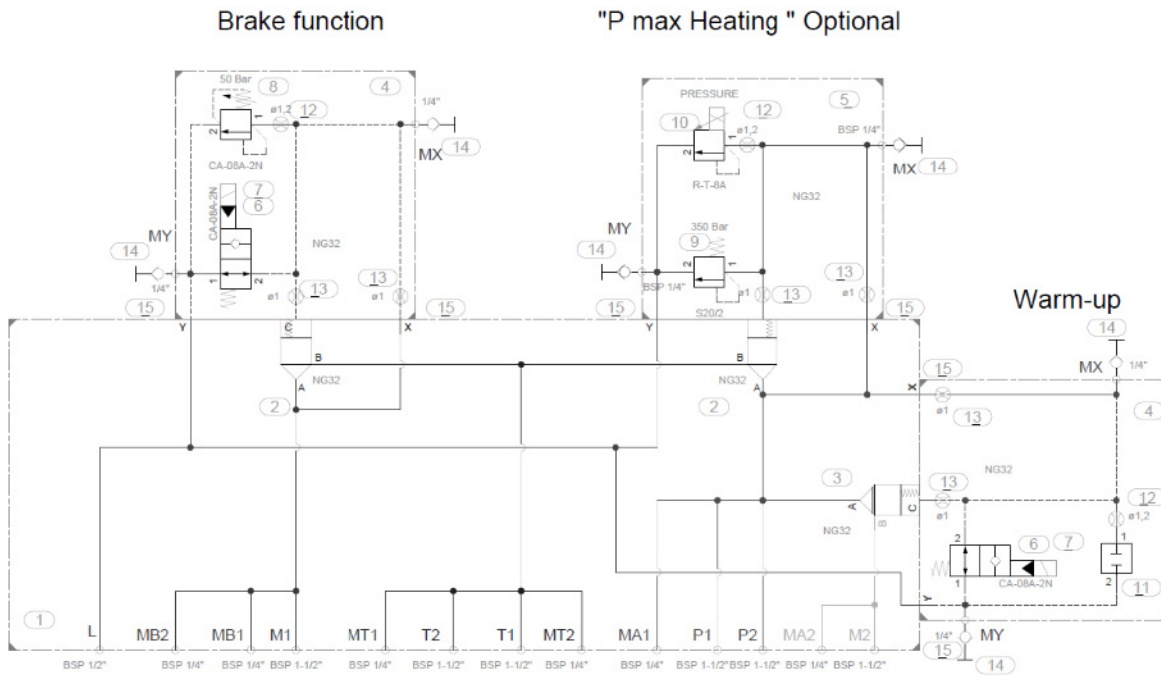


Figure 13 drive manifold 1000669

! D A N G E R !

Never adjust hydraulic settings without consulting your dealer!

PARTS MANUAL V-400

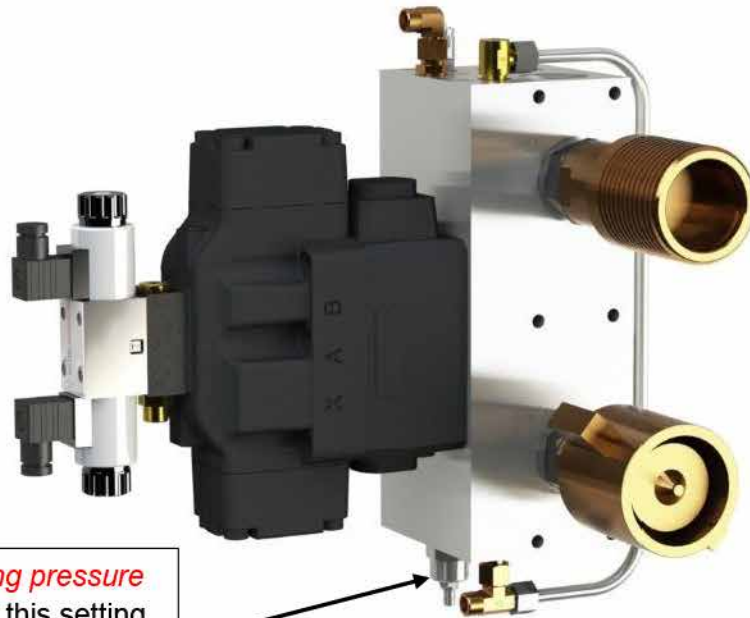


Parts list manifold 1000669

Item	QTY	Description	Part no.
1	1	Manifold body	1000669_3165-5706-0002K
2	2	NG32 cartridge compl. SC-LI-32312	1000669_3080-SC-LI 32312
3	1	NG32 cartridge compl. SC-LI-32321	1000669_3080-SC-LI 32321
4	2	Cartridge Cover NG32 -2	1000669_3165-5706-0003K
5	1	Cartridge Cover NG32 -3	1000669_3165-5706-0004K
6	2	2/2-Valve	1000669_3155-OD1506181A-S8
7	2	Coil 26 VDC	1000669_3155-OD02170130AC
8	1	Pressure relief valve	1000669_3410-100390
9	1	Pressure relief valve	1000669_3185-LPS20QN
10	1	Proportional pressure relief cartridge	1000669_3105-R901045871
11	1	Dummy Plug	1000669_3410-100355
12	3	Orifice m5x1.2	1000669_3165-10512
13	6	Orifice m5x1.0	1000669_3165-10510
14	6	Measure coupler	1000669_3240-101604
15	6	O-ring 10.82x1.78/90Sh	1000669_3470-215061

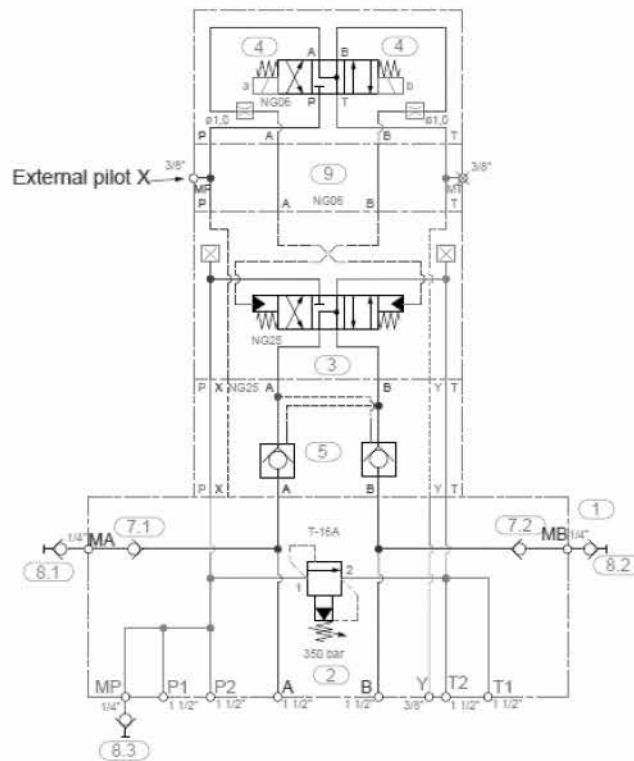
PARTS MANUAL V-400

Auger manifold



Max operating pressure
Do not adjust this setting,
use the relief valve on the
vibro manifold

Figure 14 Auger manifold 1000693

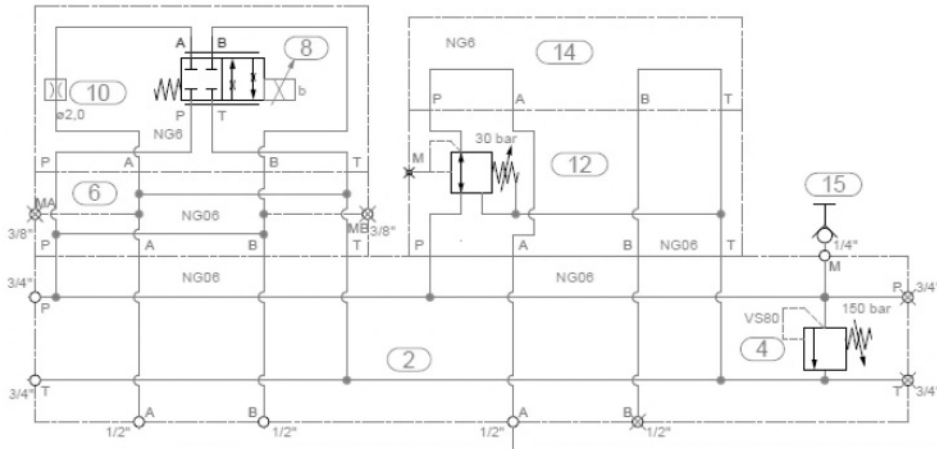


PARTS MANUAL V-400

Parts list Auger manifold 1000693			
Item	QTY	Description	Part no.
1	1	Manifold body	1000693_3165-5706-011K
2	1	Relief valve	1000693_3155-RP16A20CL
3	1	4/2 control valve	1000693_3082-DPHE-4713/EL2-00-DC
4	2	Solenoid	1000693_3080-DHE-SP-COE-24DC
5	1	Check Valve Pilot Operated	1000693_3082-JPR-312
7	2	Check valve	1000693_4200-VUHG1400
8	3	Measure coupling	1000693_3240-101604
9	1	Sub plate P&T	1000693_3110-412101104020

PARTS MANUAL V-400

Cooler manifold



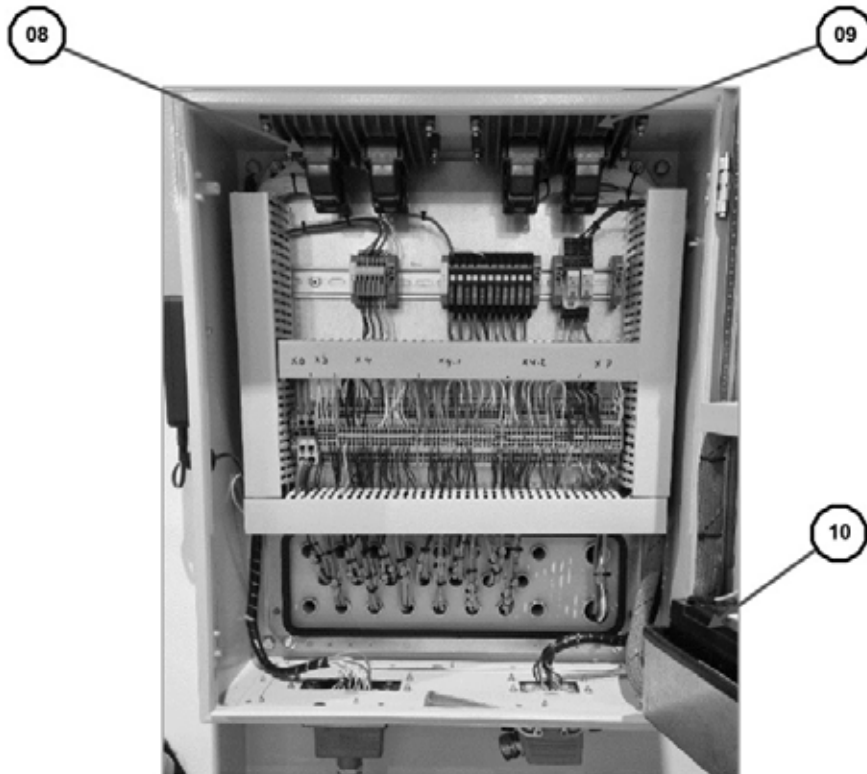
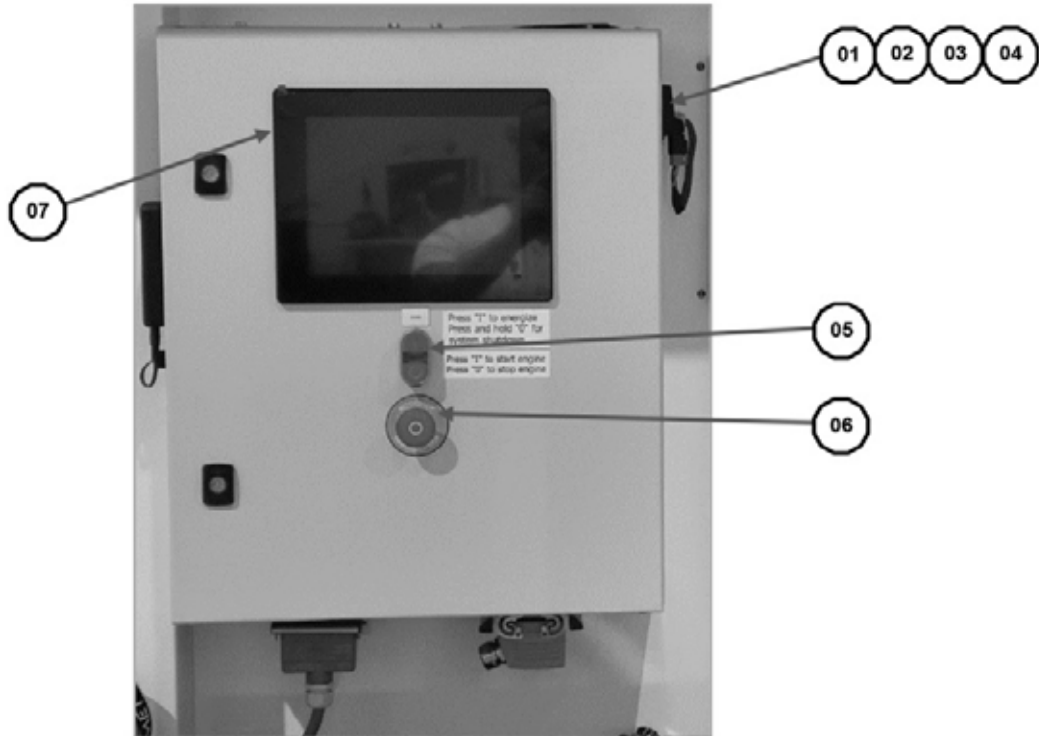
Parts list Cooler manifold 1000158

Item	QTY	Description	Part no.
2	1	Manifold body	1000158_3110-EM253/2Z
4	1	Relief valve	1000158_3110-VS80-3F
6	1	Sub plate -special	1000158_3110-412101101020
8	1	Solenoid prop.	1000158_3085-DHZE-A-051-L5/18
10	1	Orifice 3mm	1000158_3080-PLUG-H-30F
12	1	Reducer valve	1000158_3080-HG-031/50
14	1	End plate	1000158_3110-412000102020
15	1	Measure coupler	1000158_3240-101604

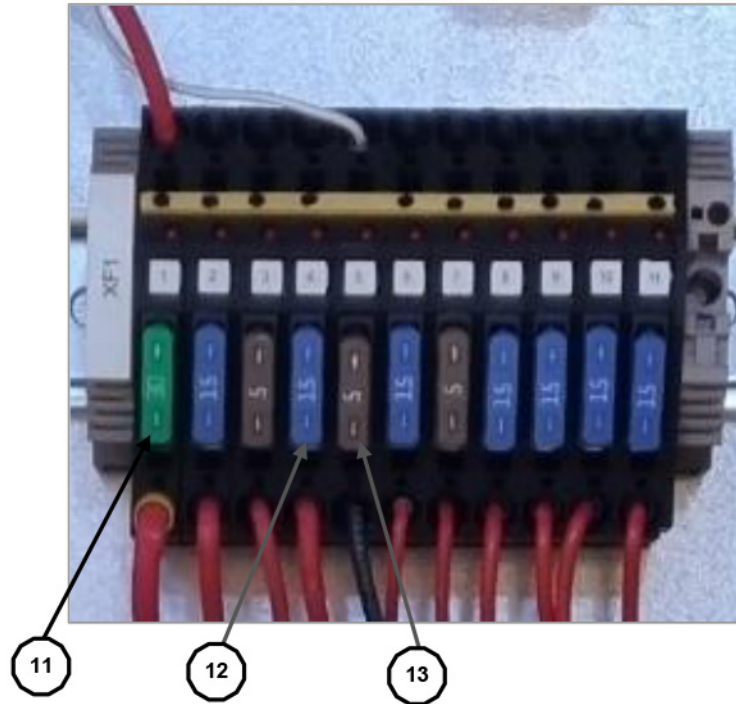
PARTS MANUAL V-400

6. ELECTRICAL

Control panel

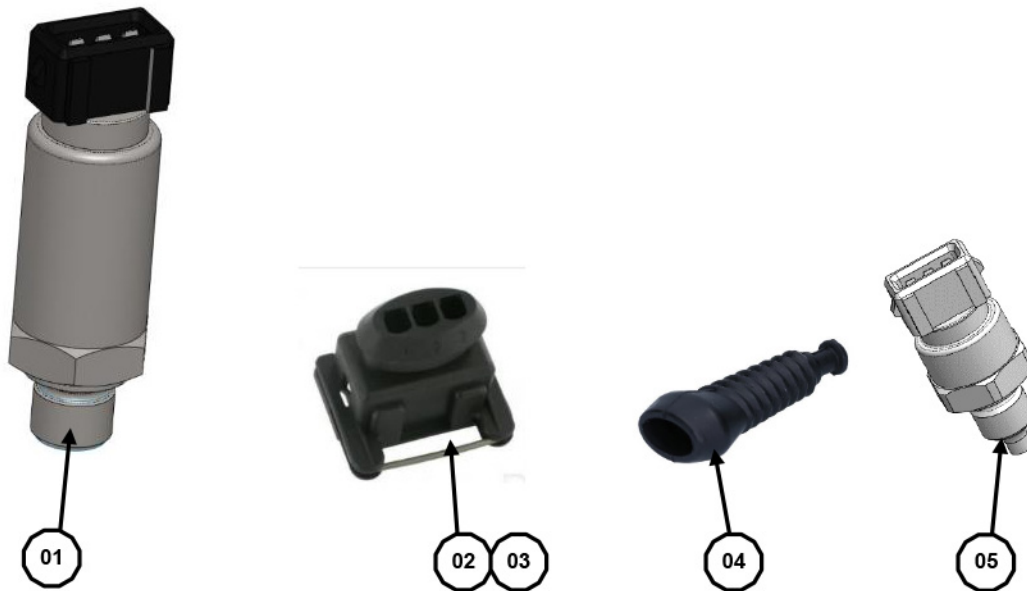


PARTS MANUAL V-400



Control panel				
Item	QTY	Description	Part no.	
01	1	Bluetooth Modem	1000255	96U2
02	1	Modem connector	1000256	
03	2	Pin-female	1000455	
04	1	Connector wedge	1000259	
05	1	Push button	1000287-60PS3	
06	1	Emergency stop button	1000287-20S18	
07	1	MD4 HMI	1000252	
08	1	XC44 extension module	1000696	100A2
09	1	XC43 extension module	1000697	102A2
10	2	Backup battery	1000456	
11	1	Fuse 30A Type C Din 72581		
12	6	Fuse 15A Type C Din 72581		
13	4	Fuse 5A Type C Din 72581		

* For detail control panel parts see the electrical diagram



Electrical				
Item	QTY	Description	Part no.	
01	1	Pressure sensor 500 bar	1000265	
01	1	Pressure sensor 35 bar	1000266	
02	1	Connector 3 Pin	1000554	
03	3	Connector pin	1000555	
04	1	Protective sleeve	1000556	
05	1	Temperature sensor	1000201	

7. DIESEL HAMMER

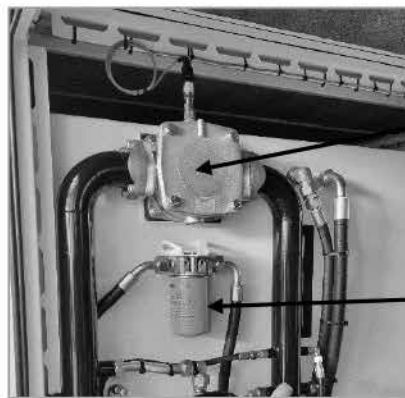
For spare parts we refer to the caterpillar Operation and Maintenance Manual C13 industrial manual.
M0104783-00 -C13B Parts Manual IND N3H1-Up

Caterpillar

Engine Serial number: N3H00129

Arrangement number: 5609824

PARTS MANUAL V-400



Service set every 500 Hrs			
Item	QTY	Description	Part no.
01	1	Engine Oil Filter	1000799
02	2	Engine Fuel Filter	1000801
03	1	Engine Fuel Pre-filter	1000800
04	2	CAT DEO ULS engine oil (ultra-low sulphur) - 20 l	1000381
05	1	Drain filter	1000692
06	1	Hydraulic return filter element	1000193