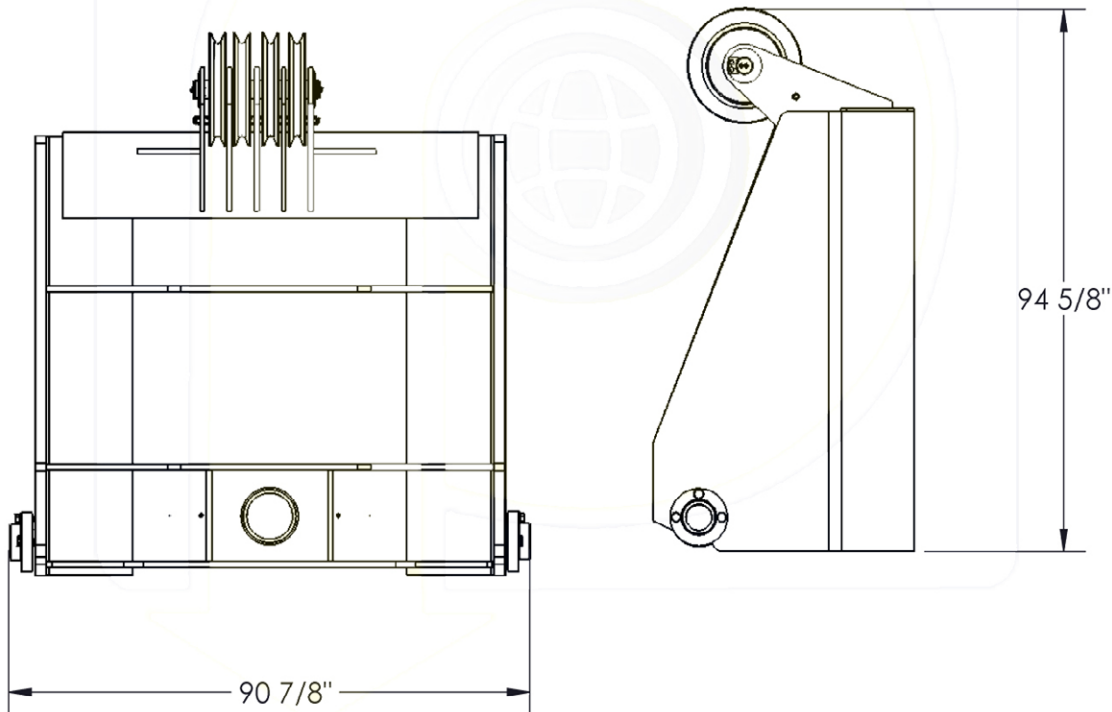
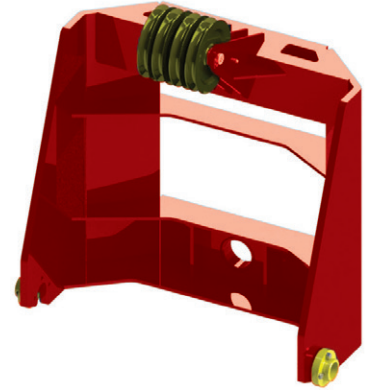
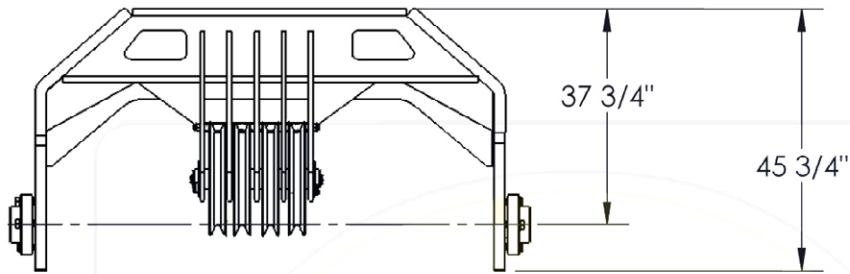
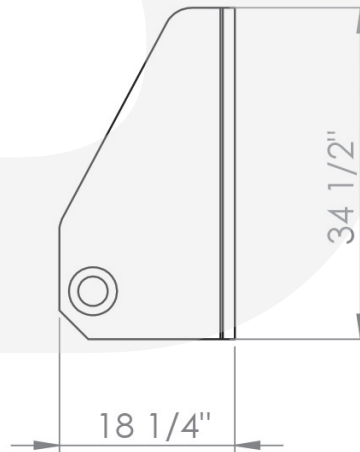
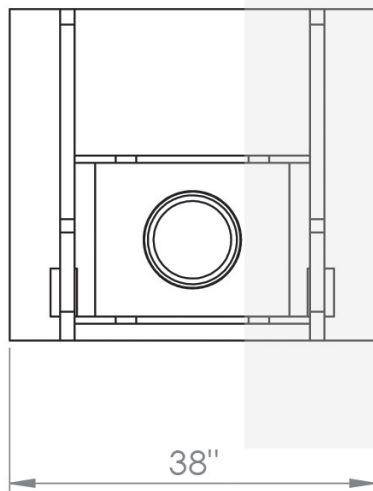
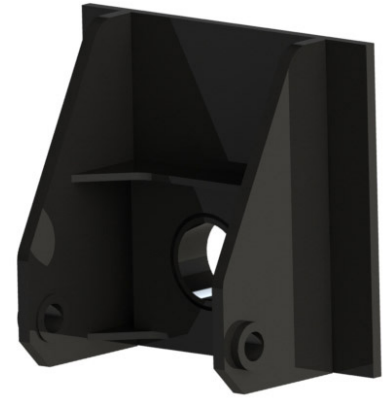
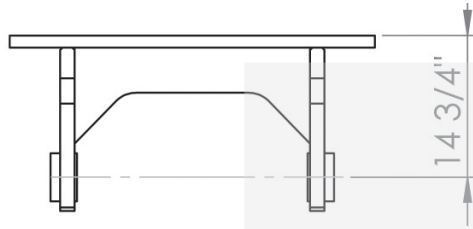


**MANITOWOC BOOM POINT CONNECTOR WITH ROOSTER SHEAVES**

**#22 MANITOWOC BOOM POINT CONNECTOR WITH ROOSTER SHEAVES**

|          |             |
|----------|-------------|
| #8000547 | lbs approx. |
|----------|-------------|


**LINK BELT 248 BOOM POINT CONNECTOR**

|          |             |
|----------|-------------|
| #8004684 | lbs approx. |
|----------|-------------|