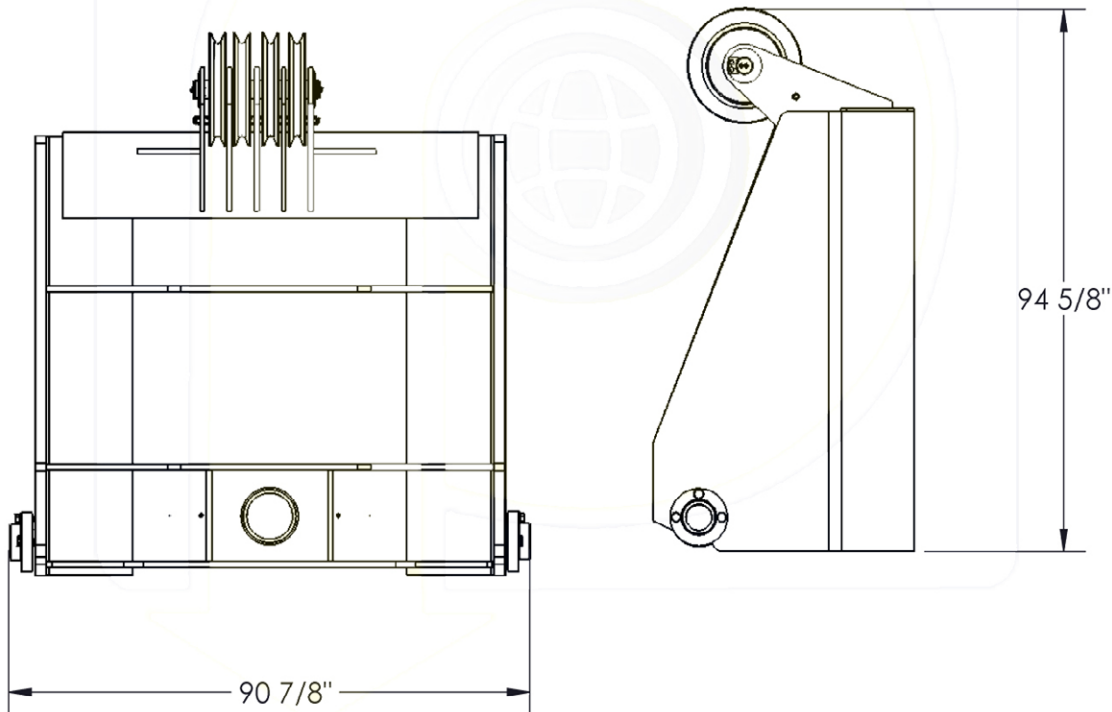
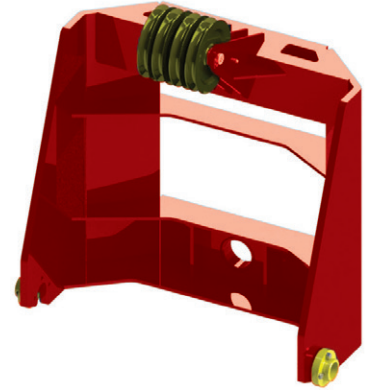
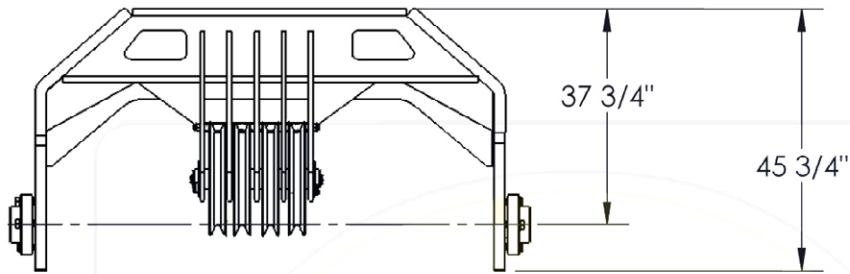


MANITOWOC BOOM POINT CONNECTOR WITH ROOSTER SHEAVES

#22 MANITOWOC BOOM POINT CONNECTOR WITH ROOSTER SHEAVES

#8000547	lbs approx.
----------	-------------