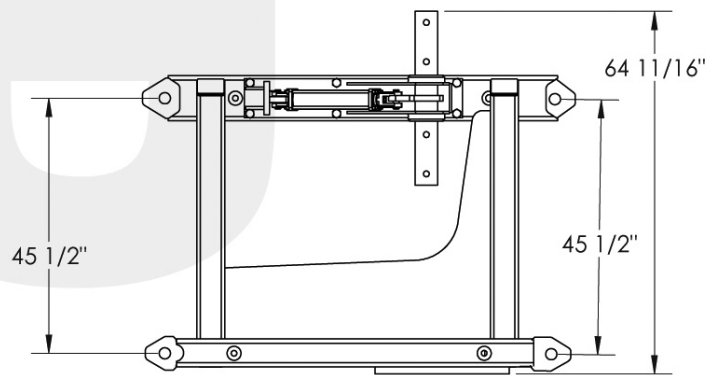
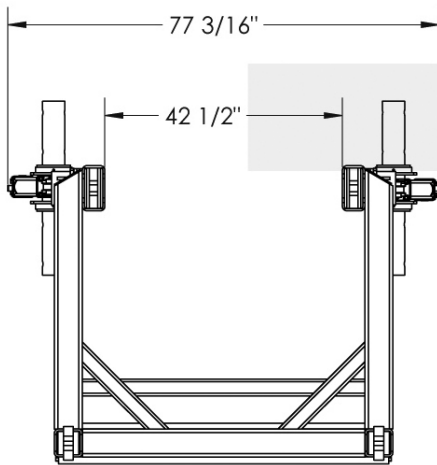


U-42 5 foot Pile Lead Section


#	WEIGHT	DESCRIPTION
4205 PGS	2,962 lbs	U-42 5 foot Pilegate Lead section w/ spotter and swivel plate