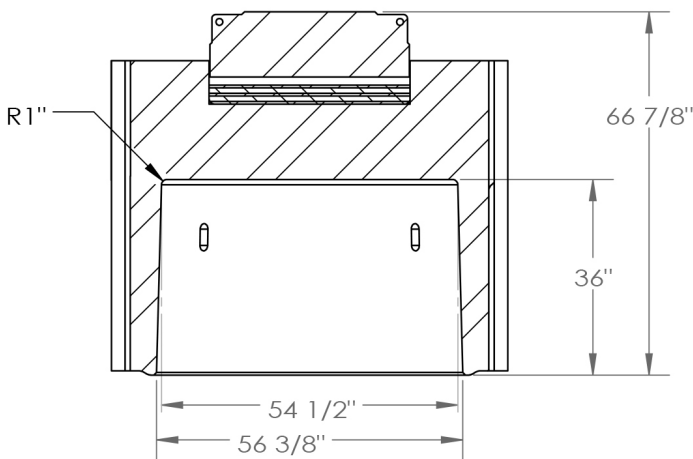
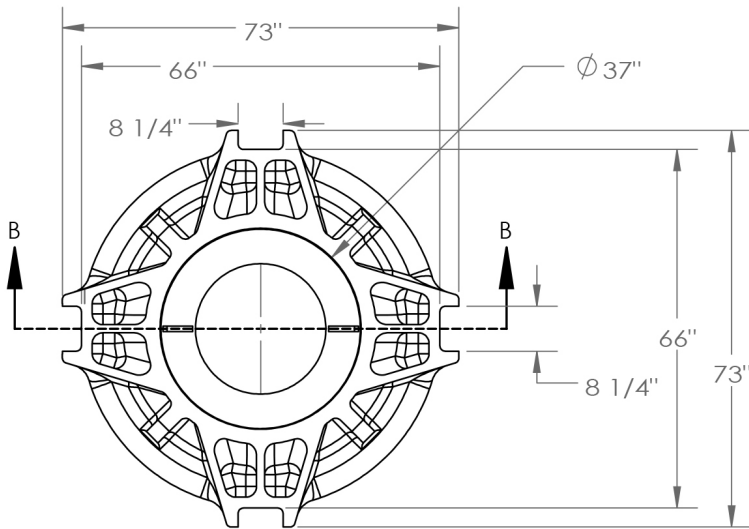



P-519 54" Offshore Concrete Cylinder Assembly & Diagram



SECTION B-B
SCALE 1 : 30



P-519 54" CONCRETE CYLINDER (SOLID CAP) HELMET ASSEMBLY

	#	Assembly	Qty.	Weights lbs. Approx.	Accessories
	25081-B	54" Concrete Cylinder Solid Cap	1	26,017	(8005537) 1/2" x 16" to 20" 6x36 IWRC steel cable(2 ea)
500335	striker plate, Ø 37" x 12"	1	3,080	(8001749) 7/16" - 1/2" cable clamp crosby G-450 (2 ea)	
500165	aluminium cushion, Ø 37" x 1/2"	3	159 (for 3)		
500115	phenolic cushion, Ø 37" x 1"	2	142 (for 2)		
				Total approx:: 29,398 lbs	

Concrete Cylinder Pile Size: 54"

U-Lead Size: 66.5" x 8"